

## Bourdon tube pressure gauge Stainless steel, safety version Models 232.30, 233.30

WIKA data sheet PM 02.04



### Applications

- Increased safety requirements
- With liquid-filled case for applications with high dynamic pressure loads or vibrations<sup>1)</sup>
- For gaseous and liquid aggressive media that are not highly viscous or crystallising, also in aggressive ambience
- Process industry: Chemical/petro-chemical, power stations, mining, on- and offshore, environmental technology, machine building and general plant construction

### Special features

- Safety pressure gauge with solid baffle wall designed in compliance with operational safety requirements of EN 837-1
- Excellent load-cycle stability and shock resistance
- All stainless steel construction
- Scale ranges up to 0 ... 1,600 bar



**Bourdon tube pressure gauge model 232.30**

## Description

### Design

EN 837-1

### Nominal size in mm

63, 100, 160

### Accuracy class

NS 63: 1.6

NS 100, 160: 1.0

### Scale ranges

NS 63: 0 ... 1 to 0 ... 1,000 bar

NS 100: 0 ... 0.6 to 0 ... 1,000 bar

NS 160: 0 ... 0.6 to 0 ... 1,600 bar

or all other equivalent vacuum or combined pressure and vacuum ranges

<sup>1)</sup> Model 233.30

### Pressure limitation

NS 63:	Steady:	3/4 x full scale value
	Fluctuating:	2/3 x full scale value
	Short time:	Full scale value
NS 100, 160:	Steady:	Full scale value
	Fluctuating:	0.9 x full scale value
	Short time:	1.3 x full scale value

### Permissible temperature

Ambient:	-40 ... +60 °C without liquid filling
	-20 ... +60 °C gauges with glycerine filling <sup>1)</sup>
Medium:	+200 °C maximum without liquid filling
	+100 °C maximum with liquid filling <sup>1)</sup>

### Temperature effect

When the temperature of the measuring system deviates from the reference temperature (+20 °C):  
max. ±0.4 %/10 K of full scale value

### Ingress protection

IP65 per IEC/EN 60529

(gauges with back mount: IP55)

## Standard version

### Process connection

Stainless steel 316L (NS 63: 1.4571), lower mount (LM) or lower back mount (LBM)<sup>1)</sup>  
NS 63: G ¼ B (male), 14 mm flats  
NS 100, 160: G ½ B (male), 22 mm flats (NS 160 only lower mount)

### Pressure element

Stainless steel 316L  
C-type or helical type

### Movement

Stainless steel

### Dial

Aluminium, white, black lettering,  
NS 63 with pointer stop pin

### Pointer

Aluminium, black

### Case

Stainless steel, case with solid baffle wall and blow-out back, scale ranges ≤ 0 ... 16 bar (lower mount) with compensating valve to vent case

### Window

Laminated safety glass (NS 63: Polycarbonate)

### Bezel ring

Cam ring (bayonet type), stainless steel

### Filling liquid (for model 233.30)










Glycerine 99.7 %  
(Glycerine 86.5 % for scale range ≤ 0 ... 2.5 bar)

## Options

- Other process connection
- Sealings (model 910.17, see data sheet AC 09.08)
- Assembly on diaphragm seals see product review DS
- Measuring system Mone® (model 262.30)
- Panel mounting flange, stainless steel or polished stainless steel
- Surface mounting lugs on the back, stainless steel
- Ambient temperatures -40 °C: Silicone oil filling
- Ingress protection IP66, IP67
- Pressure gauge with switch contacts, see model PGS23.1x0, data sheet PV 22.02 or see model 232.30.063, data sheet PV 22.03
- Pressure gauge with electrical output signal, see model PGT23.1x0, data sheet PV 12.04

1) Connection location back mount only for gauges NS 63 and 100 without liquid filling

## Approvals

Logo	Description	Country
	<b>EU declaration of conformity</b> <ul style="list-style-type: none"> <li>Pressure equipment directive PS &gt; 200 bar, module A, pressure accessory</li> <li>ATEX directive (option) Ignition protection type "c" - constructive safety</li> </ul>	European Union
	<b>EAC (option)</b> <ul style="list-style-type: none"> <li>EMC directive</li> <li>Pressure equipment directive</li> <li>Low voltage directive</li> </ul>	Eurasian Economic Community
	<b>GOST (option)</b> Metrology, measurement technology	Russia
	<b>KazInMetr (option)</b> Metrology, measurement technology	Kazakhstan
-	<b>MTSCHS (option)</b> Permission for commissioning	Kazakhstan
	<b>BelGIM (option)</b> Metrology, measurement technology	Belarus
	<b>UkrSEPRO (option)</b> Metrology, measurement technology	Ukraine
	<b>Uzstandard (option)</b> Metrology, measurement technology	Uzbekistan
-	<b>CPA (option)</b> Metrology, measurement technology	China
	<b>KCs KOSHA (option)</b> Hazardous areas	South Korea
	<b>GL (option)</b> Ships, shipbuilding (e.g. offshore)	International
-	<b>CRN</b> Safety (e.g. electr. safety, overpressure, ...)	Canada

## Certificates (option)

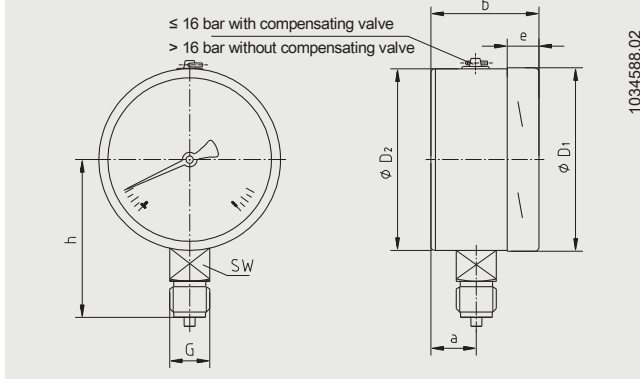
- 2.2 test report
- 3.1 inspection certificate

Approvals and certificates, see website

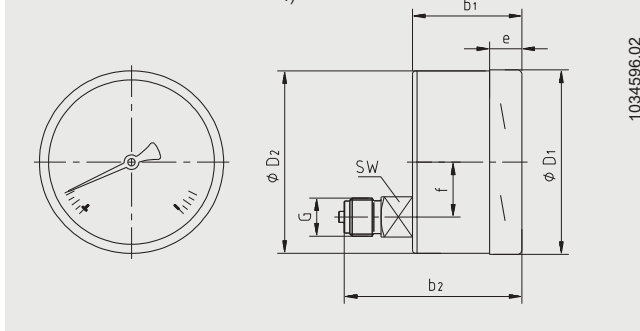
## Dimensions in mm

### Standard version

#### Lower mount (LM)



#### Lower back mount (LBM)



1) Connection location back mount only for gauges NS 63 and 100 without liquid filling

NS	Dimensions in mm											Weight in kg	
	a	b	b <sub>1</sub>	b <sub>2</sub>	D <sub>1</sub>	D <sub>2</sub>	e	f	G	h ±1	SW	Model 232.30	Model 233.30
63	17.5	42	42	61	63	63	14.5	18.5	G ¼ B	54	14	0.20	0.26
100	25	59.5	59.5	93	101	100	17	30	G ½ B	87	22	0.65	1.08
160	27 <sup>3)</sup>	65 <sup>4)</sup>	-	-	161	159	17.5	-	G ½ B	118	22	1.30	2.34

Process connection per EN 837-1 / 7.3

3) With scale ranges ≥ 100 bar: 41.5 mm

4) With scale ranges ≥ 100 bar: 79 mm

### Ordering information

Model / Nominal size / Scale range / Connection size / Connection location / Options

© 2003 WIKA Alexander Wiegand SE & Co. KG, all rights reserved.  
The specifications given in this document represent the state of engineering at the time of publishing.  
We reserve the right to make modifications to the specifications and materials.