

Bourdon tube pressure gauge per EN 837-1 S3 high overload protected, Type series BA 4550/4560



Application area

- Water / wastewater
- Shipping
- Machinery construction
- Chemical and petrochemical industry

Technical data

Constructional design / case

Design:	High quality safety case with blow-out back and solid baffle wall per EN 837-1 S3, material: stainless steel mat.-no. 1.4301 (304), pressure compensation diaphragm: silicone, filling plug, material: PUR
Nominal size:	NS 100
Degree of protection per EN 60529:	<ul style="list-style-type: none"> ■ Without case filling: IP 65 ■ With case filling: IP 66
Case filling:	Glycerine-water (optional) Further liquid fillings upon request.
Pressure compensation:	To atmosphere via internal pressure compensation diaphragm

Features

- High quality safety case NS 100 per EN 837-1-S3
- Nominal ranges -1...0 to 0...40 bar
- Case and measuring element of stainless steel
- Degree of protection IP 65
- Accuracy class 1.0 as per EN 837-1
- Up to 4 times overload protected
- EAC declaration (upon request)

Options

- Approvals/Certificates
 - Explosion protection (ATEX) for mechanical devices
 - Certificate of measuring equipment for Russian Federation
 - Material certificate per EN 10204
 - Calibration certificate per EN 10204
- Damping of movement
- Mounting: front flange for flush mounting
- Extended temperature range
- Connection to Zone 0
- Case with liquid filling and degree of protection IP 66

Application

Pressure gauge for universal use in areas with extended requirements as for example in the chemical, petrochemical and foodstuff industry for measuring gaseous, liquid and aggressive media. The device offers overload protection for up to 4 times the measuring range. The safety case offers increased operator protection.

Case seal:	Material gasket: NBR
Window:	Non-splintering laminated glass. Option: Non-splintering plastic (Macrolon)
Measuring element:	Bourdon tube - c-type
Movement:	Stainless steel segment optional: movement with integrated damping system
Scale:	Pure aluminium, white with black inscription. Option: with red marking, special scale upon request.

Pointer: Pure aluminium, black.
Option: with micro adjustment for zero point correction.

Mounting: Stand-alone, upon request for flush mounting with DIN mounting flange

Weights: without filling approx. 0.7 kg
with filling approx. 1.0 kg

Process connection

Design: Per EN 837-1, G1/2 B, 1/2" NPT or M20 x 1.5; bottom connection. Further process connections upon request.

Material wetted parts

Measuring element: Bourdon tube and pressure connection material stainless steel mat.-no. 1.4571 (316Ti)

Nominal range

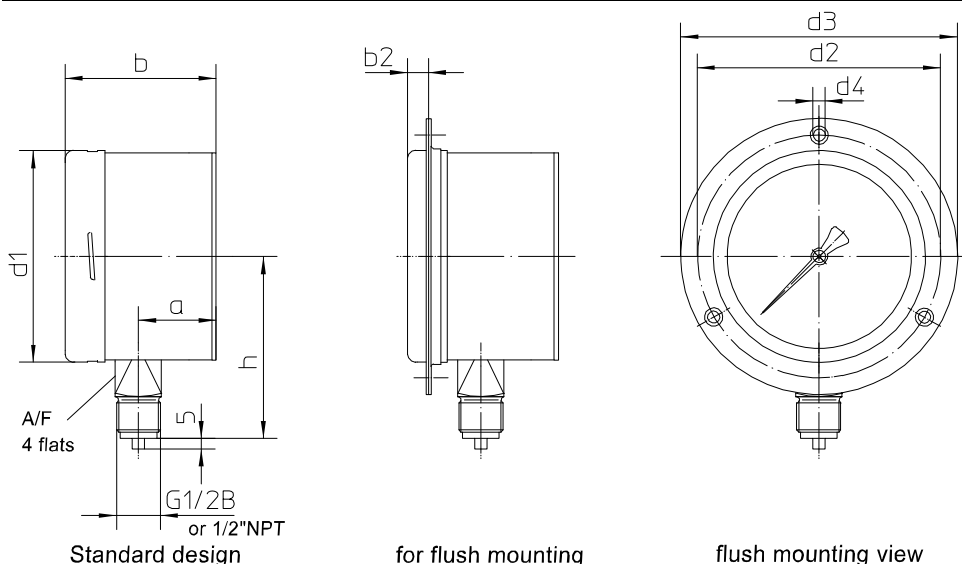
See order details, further ranges upon request

Accuracy

Accuracy class: 1.0 per EN 837-1, referring to measuring range Messbereich

Temperature influence: Max. $\pm 0,4\%$ / 10K of measuring span per EN 837-1

Dimensions



Mounting instruction: Ensure full space requirement for operation with rear blow-out device of case!

dimensions (mm)									
case	d1	a	b	b2	h	d2	d3	d4	A/F
NS 100	100	37	72	10	87	116	132	4,8	22

Temperature ranges

	without filling	with filling
Ambient:	-20...70 °C	-20...60 °C
Media: ¹	-40...200 °C	-40...200 °C
Storage:	-20...70 °C	-20...60 °C

Extended temperature range for mr < 200 bar (optional):

	without filling	with filling
Ambient:	-40...100 °C	-40...60 °C
Media:	-40...200 °C	-40...200 °C

¹ Nominal range ≤ 1 bar up to 100 °C

Approvals/Certificates

Explosion protection: Ex-protection (ATEX) for mechanical devices
 Ⓢ II 2G c TX
 Ⓢ II 2D c TX

Further details see Ex Safety Instruction XA_005.

- EAC declaration (upon request)
- Certificate of measuring equipment for Russian Federation

Information on other models see order details or upon request.

Order details

Bourdon tube pressure gauge per EN 8371-1 S3 high overload protected, Type series BA4550, BA4560

Order details BA4550/BA4560			
BA4550	safety case	NS100	process connection bottom
BA4560			IP 66 process connection bottom, with case filling
A2...	process connection	G1/2 B	
B2...		1/2" NPT	
C2...		M20 x 1.5	
	nominal range [bar]	measuring range	overload protected up to ¹
086		-1...0 ²	3
052		0...0.6 ²	2.5
053		0...1	4
054		0...1.6	6
055		0...2.5	10
056		0...4	16
057		0...6	25
058		0...10	40
059		0...16	60
060		0...25	80
061		0...40	100

Additional features (to be indicated if required)		
S30	Ex-protection (ATEX) for mechanical device ¹	<input type="checkbox"/> II 2G c TX <input type="checkbox"/> II 2G c TX
I2	pointer	with micro adjustment
R2	window	non-splintering glass with maximum pointer
R3		non-splintering glass with adjustable reference pointer ³
R12		Makrolon with maximum pointer ⁴
R13		Makrolon with adjustable reference pointer ⁴
T2	marking	on scale (please specify)
T3		fixed reference pointer (please specify)
U2	restrictor screw	restrictor screw 0.3 mm
U3		restrictor screw 0.6 mm
U4		restrictor screw 1.0 mm
V3	mounting	front flange for flush mounting
W1020	material certificate	per EN 10204-3.1, wetted parts
W1204	calibration certificate	per EN 10204-3.1, 3 measuring points
W1201		per EN 10204-3.1, 5 measuring points
W2673	certificate of measuring equipment for Russian Federation	
W4102	damping of movement ⁴	with integrated damping system
Z1	connection to Zone 0 ⁵	with Zone 0 adapter (coupling element KF6)

Order code (example): BA4550 – A2053 - ...

¹ maximum scale value

² for devices with non-splintering glass only

³ without accuracy class

⁴ not for devices with Ex-protection

⁵ for devices with Ex-protection only