

IPA 440



Field Display for current loop with Contacts

Functional range

- ▶ free scalable display
- ▶ switch mode, hysteresis, parameterizable deceleration of the contacts
- ▶ no external power supply necessary

Product characteristics

- ▶ field display for pressure transmitter with output signal: 4 ... 20 mA / 2-wire or 0 ... 10 V / 3-wire
- ▶ 4-digit LCD display
- ▶ plastic housing
- ▶ pressure compensation element with PTFE-Filter

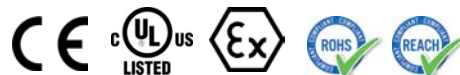
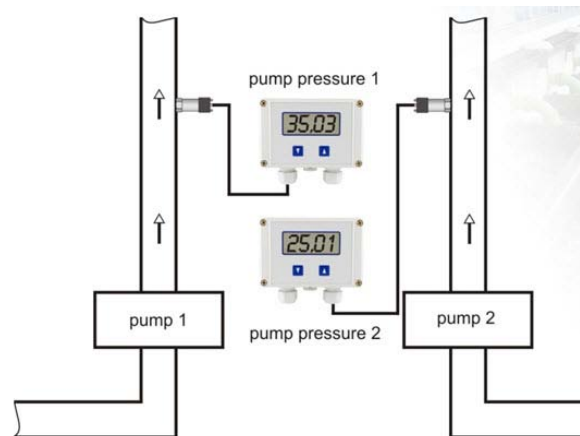
Optional versions

- ▶ IS-version
- ▶ 2 contacts
- ▶ 4-digit LED display

Typical application

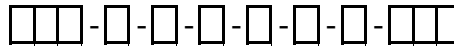


in situ display at pumping stations



Ordering code IPA 440

IPA 440



Standard version		8	5	1									
Analogue output		4 ... 20 mA / 2-wire		1									
		Intrinsic safety for zone 1 / 4 ... 20 mA / 2-wire		E									
		customer		9									consult
Contact		without contact		0									
		2 contacts ¹		2									
Unit		without ²		0									
		bar		1									
		mbar		2									
		mH ₂ O		3									
		%		P									
		mA		A									
		customer		9									consult
Label on display		standard		1									
		neutral		N									
		customer		9									consult
Display		LC display						C					
		LED display						D					
Housing material		plastic ABS						G					
Special version		standard								0	0	0	
		overvoltage protection ³								1	0	1	
		customer								9	9	9	consult

¹ only possible in combination with LED display

² the unit signs are loose-settled

³ not possible for Ex-version