

Technical specifications (continued)

Power consumption	<ul style="list-style-type: none"> Standard, Extended: 1 ... 8 VA (AC), approx. 1.3 W (DC) High temperature: 3 VA (AC), 1 W (DC)
<ul style="list-style-type: none"> Relay DPDT Contactless 	<ul style="list-style-type: none"> 1 ... 8 VA (AC), approx. 1.3 W (DC) <p>Domestic current requirement approx. 3 mA (via load circuit)</p> <p>Load current</p> <ul style="list-style-type: none"> Min. 10 mA Max. 400 mA [with I > 300 mA the ambient temperature can be max. 60 °C (140 °F)] Max. 4 A up to 40 ms (not WHG specified)
<ul style="list-style-type: none"> 8/16 mA, two-wire output 	<p>Output signal</p> <ul style="list-style-type: none"> Empty (uncovered) <ul style="list-style-type: none"> - 8 mA Full (covered) <ul style="list-style-type: none"> - 16 mA Fault message <ul style="list-style-type: none"> - < 1.8 mA <p>Possible signal conditioning instruments: SITRANS SCSC, SITRANS TCSC</p>
<ul style="list-style-type: none"> 2-wire Namur 	<p>Current consumption</p> <ul style="list-style-type: none"> Falling characteristics ≥ 2.6 mA uncovered/≤ 0.6 mA covered ≤ 0.6 mA uncovered/≥ 2.6 mA covered Failure message ≤ 0.6 mA
<ul style="list-style-type: none"> Transistor (NPN/PNP) 10 ... 55 V DC 	<p>Output</p> <ul style="list-style-type: none"> Floating transistor output, permanently shortcircuit-proof <p>Load current</p> <ul style="list-style-type: none"> < 400 mA <p>Voltage loss</p> <ul style="list-style-type: none"> < 1 V <p>Switching voltage</p> <ul style="list-style-type: none"> < 55 V DC <p>Blocking current</p> <ul style="list-style-type: none"> < 10 μA
Certificates and approvals	<ul style="list-style-type: none"> CE, CSA Overfill Protection WHG and VLAREM II FM (Non-Incendive) Class I, Div. 2, Groups A, B, C, D FM (Explosion-Proof) Class I, Div. 1, Groups A, B, C, D; (Dust Ignition-Proof) Class II, III, Div. 1, Groups E, F, G1 IECEX d IIC T6 ... T2 Ga/Gb EHEDG ATEX II 1/2G, 2G EEx d IIC T6 ATEX II 1G, 1/2G, 2G EEx ia IIC T6 Shipping approvals BR-Ex d IIC T6 ... T2 FDA, 3A, EHEDG SIL/IEC61508 Declaration of Conformity [SIL-2 (min/max detection)] <p>Please see configuration section below for full list of approvals.</p>

Level measurement

Point level measurement

Vibrating switches

SITRANS LVL200

Selection and ordering data

Article No.

Article No.

SITRANS LVL200 Vibrating point level switch, standard design

Detects level and material in liquids and slurries. Short insertion. For hazardous applications.

[Click on the Article No. for the online configuration in the PIA Life Cycle Portal.](#)

Electronics

- Contactless electronic switch 20 ... 250 V AC/DC¹⁹⁾²⁴⁾
- Double relay (DPDT) 20 ... 72 V DC/20 ... 250 V AC²⁴⁾
- NAMUR signal⁹⁾
- Transistor (NPN/PNP) 10 ... 55 V DC¹⁾²⁵⁾
- Two-wire (8/16 mA) 12 ... 36 V DC²⁷⁾

Approvals

- CE
- Overfill protection (WHG)⁹⁾
- ATEX II 1G, ½G, 2G Ex ia IIC T6⁶⁾
- ATEX II 1G, ½G, 2G Ex ia IIC T6 + WHG⁶⁾⁹⁾
- ATEX II ½G, 2G Ex d IIC T6 + WHG⁵⁾¹⁵⁾
- ATEX II 1G, ½G, 2G Ex ia IIC T6 + shipping approvals⁶⁾¹⁶⁾
- ATEX II ½G, 2G Ex d IIC T6 + shipping approvals⁵⁾¹⁵⁾
- ATEX II 1G, ½G, 2G Ex ia IIC T6 + ATEX II ½D IP6X T⁶⁾⁷⁾¹⁷⁾
- IECEx Ex ia IIC T6⁶⁾¹⁸⁾
- Shipping approvals¹⁶⁾
- ATEX II 3G Ex nA II T5 ... T1 X¹⁴⁾¹⁹⁾
- FM (IS) Class I, II, III, Div. 1, Groups A, B, C, D, E, F, G⁶⁾²⁰⁾
- FM (XP) Class I, Div. 1, Groups A, B, C, D, (DIP) Class II, III, Div. 1, Groups E, F, G²⁾⁵⁾¹⁰⁾
- FM (NI) Class I, Div. 2, Groups A, B, C, D, CE²¹⁾
- IECEx d IIC T6 ... T2 Ga/Gb⁵⁾¹⁵⁾
- CSA (XP) Class I, II, III Div. 1, Groups A, B, C, D, E, F, G⁵⁾¹⁵⁾
- CSA (NI) Class I, II, III, Div. 2, Groups A, B, C, D, E, F, G, CE²²⁾
- BR-Ex d IIC T6 ... T2⁵⁾²³⁾
- CSA (IS) Class I, II, III Div. 1, Groups A, B, C, D, E, F, G⁶⁾⁹⁾
- ATEX II ½D, 2D ExtD A20/21, A21 IP6 T...⁶⁾¹⁹⁾
- GOST-R/EAC + ATEX II 1G, ½G, 2G Ex ia IIC T6 + WHG⁹⁾²⁶⁾
- GOST-R/EAC + ATEX II ½G, Ex d IIC T2 ... T6 + WHG⁵⁾¹⁵⁾²⁸⁾
- GOST-R/EAC + ATEX II ½G, Ex d IIC T2 ... T6 + Ship approval⁵⁾¹⁵⁾²⁸⁾
- GOST-R/EAC + ATEX II 1G, ½G, 2G Ex ia IIC T6 + II ½D, 2D ExtD⁷⁾¹⁷⁾²⁸⁾
- GOST-R/EAC + ATEX II ½D, 2D ExtD A20/21, A21 IP6 T...¹⁷⁾²⁶⁾

Process connection

- Thread G¾" A, PN 64/316L
- Thread G¾" A, PN 64/316L Ra < 0.8 µm
- Thread ¾" NPT, PN 64/316L
- Thread ¾" NPT, PN 64/316L Ra < 0.8 µm
- Thread ¾" NPT, PN 64/Alloy 400 (2.4360)
- Thread G¾" A, PN 64/Alloy C22 (2.4602)
- Thread ¾" NPT, PN 64/Alloy C22 (2.4602)
- Thread G1" A, PN 64/316L
- Thread G1" A, PN 64/316L
- ECTFE coated MB1982⁴⁾
- Thread G1" A, PN 64/316L PFA coated⁴⁾
- Thread G1" A, PN 64/Alloy 400 (2.4360)
- Thread G1" A, PN 64/316L Ra < 0.8 µm
- Thread 1" NPT, PN 64/316L
- Thread 1" NPT, PN 64/316L ECTFE coated MB1982⁴⁾

7ML5746-

Article No.	Ordering Data
7ML5746-	
	A 0
1	
2	
4	
5	
6	
A	
B	
W	
C	
D	
E	
F	
G	
H	
K	
L	
N	
P	
Q	
R	
S	
T	
U	
V	
X	
Z	J 1 A
Z	J 1 B
Z	J 1 C
Z	J 1 D
Z	J 1 E
A 0 0	
A 0 1	
A 0 2	
A 0 3	
A 0 4	
A 0 5	
A 0 6	
A 0 7	
A 0 8	
A 1 0	
A 1 1	
A 1 2	
A 1 3	
A 1 4	

SITRANS LVL200 Vibrating point level switch, standard design

Detects level and material in liquids and slurries. Short insertion. For hazardous applications.

[Click on the Article No. for the online configuration in the PIA Life Cycle Portal.](#)

- Thread 1" NPT, PN 64/316L PFA-coated⁴⁾
- Thread 1" NPT, PN 64/Alloy 400 (2.4360)
- Thread 1" NPT, PN 64/316L Ra < 0.8 µm
- Thread G1" A, PN 64/Alloy C22 (2.4602)
- Thread G1" A, PN 64/Alloy C22 (2.4602) Ra < 0.3 µm
- Thread G1½" A, PN 64/316L
- Thread G1½" A, PN 64/316L Ra < 0.8 µm
- Thread G1½" A, PN 64/Alloy C22 (2.4602)
- Thread 1" NPT, PN 64/Alloy C22 (2.4602) Ra < 0.3 µm
- Thread 1½" NPT, PN 64/316L
- Thread 1½" NPT, PN 64/316L Ra < 0.8 µm
- Thread 1½" NPT, PN 64/Alloy C22 (2.4602)
- Thread G2" A, PN 64/316L
- Thread M27 x 1.5, PN 64/316L
- Conus DN 25, PN 40/316L Ra < 0.3 µm
- Conus DN 25, PN 40/316L Ra < 0.8 µm
- Conus DN 25, PN 40/ECTFE (ZB3033)⁴⁾
- Conus M52, PN 40/316L
- Conus M52, PN 40/316L Ra < 0.3 µm
- Conus M52, PN 40/316L Ra < 0.8 µm
- Tri-Clamp 1", PN 16/316L Ra < 0.3 µm
- Tri-Clamp 1", PN 16/Alloy C22 (2.4602)
- Tri-Clamp 1", PN 16/316L Ra < 0.8 µm
- Tri-Clamp 1½", PN 16/316L Ra < 0.3 µm
- Tri-Clamp 1½", PN 16/Alloy C22 (2.4602)
- Tri-Clamp 1½", PN 16/316L Ra < 0.8 µm
- Tri-Clamp 2", PN 16/316L Ra < 0.3 µm
- Tri-Clamp 2", PN 16/Alloy C22 (2.4602)
- Tri-Clamp 2", PN 16/316L Ra < 0.8 µm
- Tri-Clamp 2½", PN 10/316L Ra < 0.3 µm
- Tri-Clamp 2½", PN 10/316L Ra < 0.8 µm
- Tri-Clamp 3", PN 10/316L Ra < 0.3 µm
- Tri-Clamp 3", PN 10/316L Ra < 0.8 µm
- Bolting DN 32, PN 40 DIN11851/316L Ra < 0.3 µm
- Bolting DN 32, PN 40 DIN11851/316L Ra < 0.8 µm
- Bolting DN 25, PN 40 DIN11851/316L Ra < 0.3 µm
- Bolting DN 25, PN 40 DIN11851/316L Ra < 0.8 µm
- Bolting DN 40, PN 40 DIN11851/316L Ra < 0.3 µm
- Bolting DN 40, PN 40 DIN11851/316L Ra < 0.8 µm
- Bolting DN 40, PN 40 DIN11864-1 A/316L Ra < 0.8 µm ZB3052
- Bolting DN 50, PN 25 DIN11851/316L Ra < 0.3 µm
- Bolting DN 50, PN 25 DIN11851/316L Ra < 0.8 µm
- Bolting DN 50, PN 25 DIN11864-1 A/316L Ra < 0.8 µm ZB3052
- Hygienic w. compr. nut F40, PN 25/316L
- Hygienic w. compr. nut F40, PN 25/316L Ra < 0.3 µm
- Hygienic w. compr. nut F40, PN 25/316L Ra < 0.8 µm
- Varivent N50-40/316L Ra < 0.3 µm
- Varivent N50-40/316L Ra < 0.8 µm
- Varivent N125/100/316L Ra < 0.8 µm
- DRD flange, PN 40/316L ZB3007
- SMS DN 38/316L Ra < 0.8 µm⁴⁾
- SMS DN 51, PN 6/316L Ra < 0.8 µm⁴⁾
- Swagelok VCR screwing ZG2579, PN 64/316L
- Neumo biocontrol size 25, PN 16/316L Ra < 0.8 µm

7ML5746-

Article No.	Ordering Data
7ML5746-	
	A 0
A 1 5	
A 1 6	
A 1 7	
A 1 8	
A 2 0	
A 2 1	
A 2 2	
A 2 3	
A 2 4	
A 2 5	
A 2 6	
A 2 7	
A 2 8	
A 3 0	
A 3 1	
A 3 2	
A 3 3	
A 3 4	
A 3 5	
A 3 6	
A 3 7	
A 3 8	
A 4 0	
A 4 1	
A 4 2	
A 4 3	
A 4 4	
A 4 5	
A 4 6	
A 4 7	
A 4 8	
A 5 0	
A 5 1	
A 5 2	
A 5 3	
A 5 4	
A 5 5	
A 5 6	
A 5 7	
A 5 8	
A 6 0	
A 6 1	
A 6 2	
A 6 3	
A 6 4	
A 6 5	
A 6 6	
A 6 7	
A 6 8	
A 7 0	
A 7 1	
A 7 2	
A 7 3	
A 7 4	

Level measurement

Point level measurement

Vibrating switches

SITRANS LVL200

Selection and ordering data	Article No.	Selection and ordering data	Article No.
SITRANS LVL200 Vibrating point level switch, standard design Detects level and material in liquids and slurries. Short insertion. For hazardous applications.	7ML5746- - A 0	SITRANS LVL200 Vibrating point level switch, standard design Detects level and material in liquids and slurries. Short insertion. For hazardous applications.	7ML5746- - A 0
Neumo biocontrol size 50, PN 16/316L Ra < 0.8 µm ⁴⁾	A 7 5	Flange DN 50, PN 40 Form C, DIN 2501/PFA ⁴⁾	B 3 0
Neumo biocontrol size 65, PN 16/316L Ra < 0.8 µm	A 7 6	Flange DN 50, PN 40 Form D, DIN 2501/316L	B 3 1
Neumo biocontrol size 80, PN 16/316L Ra < 0.8 µm	A 7 7	Flange DN 50, PN 40 Form D, DIN 2501/Alloy C22 (2.4602)	B 3 2
SÜDMO DN 50, PN 10/316L Ra < 0.8 µm	A 7 8	Flange DN 50, PN 40 Form F, DIN 2501/316L	B 3 3
Small flange DN 25, PN 1.5 DIN 28403/316L pol. Ra < 0.8 µm	A 8 0	Flange DN 50, PN 40 Form N, DIN 2501/316L	B 3 4
Small flange DN 40, PN 1.5 DIN 28403/316L pol. Ra < 0.8 µm	A 8 1	Flange DN 50, PN 40 Form N, DIN 2501/Alloy C22 (2.4602)	B 3 5
Ingold connection, PN16/316L a < 0.8 µm (acc. to MB2523)	A 8 2	Flange DN 50, PN 40 Form E, DIN 2501/316L	B 3 6
Ingold connection, PN 16/Alloy C22 (2.4602) Ra < 0.8 µm (acc. to MB6017)	A 8 3	Flange DN 50, PN 40 V13, DIN 2501/316L	B 3 7
Terminal DN 33.7 PN 40	A 8 4	Flange DN 50, PN 40 R13, DIN 2501/316L	B 3 8
DIN 11864-3-A-/316L BN2 Ra < 0.8 µm ⁴⁾	A 8 5	Flange DN 50, PN 64 Form F, DIN 2501/316L	B 4 0
Hygienic fl. DN 50 PN 16	A 8 5	Flange DN 50, PN 64 Form N, DIN 2501/Alloy C22 (2.4602)	B 4 1
DIN 11864-2-A-/316L Ra < 0.8 µm	A 8 5	Flange DN 50, PN 64 Form C, DIN 2501/316L	B 4 2
Flange DN 25, PN 6 Form C, DIN 2501/316L	A 8 6	Flange DN 50, PN 64 Form L, DIN 2501/316L	B 4 3
Flange DN 25, PN 6 Form C, DIN 2501/PFA ⁴⁾	A 8 7	Flange DN 50, PN 100 Form E, DIN 2501/316L	B 4 4
Flange DN 25, PN 40 Form C, DIN 2501/316L	A 8 8	Flange DN 50, PN 100 Form L, DIN 2501/316L	B 4 5
Flange DN 25, PN 40 Form C, DIN 2501/Alloy C22 (2.4602)	B 0 0	Flange DN 65, PN 40 Form C, DIN 2501/316L	B 4 6
Flange DN 25, PN 40 Form C, DIN 2501/ECTFE ⁴⁾	B 0 1	Flange DN 65, PN 40 Form C, DIN 2501/Alloy C22 (2.4602)	B 4 7
Flange DN 25, PN 40 Form C, DIN 2501/PFA ⁴⁾	B 0 2	Flange DN 65, PN 40 Form C, DIN 2501/ECTFE ⁴⁾	B 4 8
Flange DN 25, PN 40 Form C, DIN 2501/Enamelled	B 0 3	Flange DN 65, PN 40 Form C, DIN 2501/PFA ⁴⁾	B 5 0
Flange DN 25, PN 40 Form D, DIN 2501/316L	B 0 4	Flange DN 65, PN 40 Form F, DIN 2501/316L	B 5 1
Flange DN 25, PN 40 Form F, DIN 2501/316L	B 0 5	Flange DN 65, PN 64 Form E, DIN 2501/316L	B 5 2
Flange DN 25, PN 40 Form N, DIN 2501/316L	B 0 6	Flange DN 80, PN 40 Form C, DIN 2501/316L	B 5 3
Flange DN 25, PN 40 Form N, DIN 2501/Alloy C22 (2.4602)	B 0 7	Flange DN 80, PN 40 Form C, DIN 2501/Alloy C22 (2.4602)	B 5 4
Flange DN 25, PN 40 Form N, DIN 2501/Alloy 400 (2.4360) solid	B 0 8	Flange DN 80, PN 40 Form C, DIN 2501/ECTFE ⁴⁾	B 5 5
Flange DN 25, PN 40 V13, DIN 2501/316L	B 1 0	Flange DN 80, PN 40 Form C, DIN 2501/PFA ⁴⁾	B 5 6
Flange DN 32, PN 40 Form C, DIN 2501/316L	B 1 1	Flange DN 80, PN 40 Form C, DIN 2501/Enamelled ³⁾	B 5 7
Flange DN 32, PN 40 Form C, DIN 2501/ECTFE ⁴⁾	B 1 2	Flange DN 80, PN 40 Form F, DIN 2501/316L	B 5 8
Flange DN 40, PN 6 Form C, DIN 2501/316L	B 1 3	Flange DN 80, PN 40 Form N, DIN 2501/316L	B 6 0
Flange DN 40, PN 6 Form C, DIN 2501/ECTFE ⁴⁾	B 1 4	Flange DN 100, PN 16 Form C, DIN 2501/316L	B 6 2
Flange DN 40, PN 40 Form C, DIN 2501/316L	B 1 5	Flange DN 100, PN 16 Form C, DIN 2501/Alloy C22 (2.4602)	B 6 3
Flange DN 40, PN 40 Form C, DIN 2501/Alloy C22 (2.4602)	B 1 6	Flange DN 100, PN 16 Form C, DIN 2501/ECTFE ⁴⁾	B 6 4
Flange DN 40, PN 40 Form C, DIN 2501/ECTFE ⁴⁾	B 1 7	Flange DN 100, PN 16 Form C, DIN 2501/PFA ⁴⁾	B 6 5
Flange DN 40, PN 40 Form C, DIN 2501/PFA ⁴⁾	B 1 8	Flange DN 100, PN 16 Form C, DIN 2501/Enamelled ³⁾	B 6 6
Flange DN 40, PN 40 Form C, DIN 2501/Enamelled ³⁾	B 2 0	Flange DN 100, PN 16 Form D, DIN 2501/316L	B 6 7
Flange DN 40, PN 40 Form F, DIN 2501/316L	B 2 1	Flange DN 100, PN 16 Form F, DIN 2501/316L	B 6 8
Flange DN 40, PN 40 Form N, DIN 2501/316L	B 2 2	Flange DN 100, PN 16 Form N, DIN 2501/316L	B 7 0
Flange DN 40, PN 40 Form E, DIN 2501/316L	B 2 3	Flange DN 100, PN 40 Form C, DIN 2501/316L	B 7 1
Flange DN 40, PN 40 V13, DIN 2501/316L	B 2 4	Flange DN 100, PN 40 Form C, DIN 2501/Alloy C22 (2.4602)	B 7 2
Flange DN 50, PN 40 Form C, DIN 2501/316L	B 2 5	Flange DN 100, PN 40 Form C, DIN 2501/ECTFE ⁴⁾	B 7 3
Flange DN 50, PN 40 Form C, DIN 2501/Alloy C22 (2.4602)	B 2 6		
Flange DN 50, PN 40 Form C, DIN 2501/ECTFE ⁴⁾	B 2 7		
Flange DN 50, PN 40 Form C, DIN 2501/PFA ⁴⁾	B 2 8		

Level measurement

Point level measurement

Vibrating switches

SITRANS LVL200

4

Selection and ordering data

Article No.

Article No.

SITRANS LVL200 Vibrating point level switch, standard design

Detects level and material in liquids and slurries. Short insertion. For hazardous applications.

7ML5746-

■ ■ ■ ■ ■ - ■ ■ ■ ■ ■ A 0 ■ ■ ■ ■ ■

Flange DN 100, PN 40 Form C, DIN 2501/Enamelled ³⁾	B 7 4
Flange DN 100, PN 40 Form F, DIN 2501/316L	B 7 5
Flange DN 100, PN 40 Form N, DIN 2501/316L	B 7 6
Flange DN 100, PN 40 V13, DIN 2501/316L	B 7 7
Flange DN 100, PN 64 Form E, DIN 2501/316L	B 7 8
Flange DN 100, PN 100 Form E, DIN 2501/316L	B 8 0
Flange DN 100, PN 100 Form L, DIN 2501/316L	B 8 1
Flange DN 125, PN 16 Form F, DIN 2501/316L	B 8 2
Flange DN 125, PN 40 Form C, DIN 2501/316L	B 8 3
Flange DN 125, PN 40 Form N, DIN 2512/316L	B 8 4
Flange DN 150, PN 16 Form C, DIN 2501/316L	B 8 5
Flange DN 150, PN 16 Form C, DIN 2501/Alloy C22 (2.4602)	B 8 6
Flange DN 150, PN 16 Form C, DIN 2501/ECTFE ⁴⁾	B 8 7
Flange DN 150, PN 16 Form C, DIN 2501/PFA ⁴⁾	B 8 8
Flange DN 150, PN 16 Form D, DIN 2501/316L	C 0 0
Flange DN 150, PN 40 Form C, DIN 2501/316L	C 0 1
Flange DN 150, PN 40 Form C, DIN 2501/Alloy C22 (2.4602)	C 0 2
Flange DN 150, PN 40 Form F, DIN 2501/316L	C 0 3
Flange DN 150, PN 40 Form N, DIN 2512/316L	C 0 4
Flange DN 200, PN 10 Form C, DIN 2501/ECTFE ⁴⁾	C 0 5
Flange DN 200, PN 16 Form C, DIN 2501/316L	C 0 6
Flange DN 25, PN 40 Form B1, EN 1092-1/316L	C 0 7
Flange DN 25, PN 40 Form B1, EN 1092-1/Alloy C22 (2.4602)	C 0 8
Flange DN 25, PN 40 Form B1, EN/316L/PFA ⁴⁾	C 1 0
Flange DN 25, PN 40 Form B1, EN 1092-1/Enamelled ³⁾	C 1 1
Flange DN 25, PN 40 Form B2, EN 1092-1/316L	C 1 2
Flange DN 25, PN 40 Form F, EN 1092-1/316L	C 1 3
Flange DN 25, PN 63 Form B1, EN 1092-1/316L	C 1 4
Flange DN 25, PN 100 Form B2, EN 1092-1/316L	C 1 5
Flange DN 40, PN 40 Form B1, EN/316L	C 1 6
Flange DN 40, PN 40 Form B1, EN 1092-1/PFA ⁴⁾	C 1 7
Flange DN 40, PN 40 Form B2, EN/316L	C 1 8
Flange DN 50, PN 40 Form B1, EN/316L	C 2 0
Flange DN 50, PN 40 Form B1, EN 1092-1/Alloy C22 (2.4602)	C 2 1
Flange DN 50, PN 40 Form B1, EN 1092-1/Alloy 400 (2.4360) ZB2977	C 2 2
Flange DN 50, PN 40 Form B1, EN 1092-1/ECTFE ⁴⁾	C 2 3
Flange DN 50, PN 40 Form B1, EN/316L/PFA ⁴⁾	C 2 4
Flange DN 50, PN 40 Form B1, EN 1092-1/Enamelled ³⁾	C 2 5

SITRANS LVL200 Vibrating point level switch, standard design

Detects level and material in liquids and slurries. Short insertion. For hazardous applications.

7ML5746-

■ ■ ■ ■ ■ - ■ ■ ■ ■ ■ A 0 ■ ■ ■ ■ ■

Flange DN 50, PN 40 Form C, EN 1092-1/316L	C 2 6
Flange DN 50, PN 40 Form D, EN/316L	C 2 7
Flange DN 50, PN 40 Form D, EN 1092-1/Alloy C22 (2.4602)	C 2 8
Flange DN 50, PN 40 Form B2, EN 1092-1/316L	C 3 0
Flange DN 50, PN 40 Form E, EN 1092-1/316L	C 3 1
Flange DN 80, PN 40 Form B1, EN 1092-1/316L	C 3 2
Flange DN 80, PN 40 Form B1, EN 1092-1/Alloy C22 (2.4602)	C 3 3
Flange DN 80, PN 40 Form B1, EN 1092-1/ECTFE ⁴⁾	C 3 4
Flange DN 80, PN 40 Form B1, EN 1092-1/Enamelled ³⁾	C 3 5
Flange DN 80, PN 40 Form B2, EN 1092-1/316L	C 3 6
Flange DN 100, PN 16 Form B1, EN 1092-1/316L	C 3 7
Flange DN 100, PN 16 Form B1, EN 1092-1/Alloy C22 (2.4602)	C 3 8
Flange DN 100, PN 16 Form B1, EN 1092-1/Enamelled ³⁾	C 4 0
Flange DN 100, PN 40 Form B1, EN 1092-1/316L	C 4 1
Flange DN 100, PN 40 Form B1, EN 1092-1/Enamelled ³⁾	C 4 2
Flange DN 100, PN 40 Form C, EN 1092-1/316L	C 4 3
Flange DN 100, PN 63 Form B2, EN 1092-1/316L	C 4 4
Flange DN 150, PN 16 Form B1, EN 1092-1/316L	C 4 5
Flange DN 150, PN 16 Form B1, EN 1092-1/PFA ⁴⁾	C 4 6
Flange DN 150, PN 40 Form B1, EN 1092-1/316L	C 4 7
Flange DN 150, PN 40 Form B1, EN 1092-1/ECTFE ⁴⁾	C 4 8
Flange DN 150, PN 40 Form B2, EN 1092-1/316L	C 5 0
Flange 1" 150 lb RF, ASME B16.5/316L	C 5 1
Flange 1" 150 lb RF, ASME B16.5/Alloy C22 (2.4602)	C 5 2
Flange 1" 150 lb RF, ASME B16.5/Alloy 400 (2.4360) ZB2977	C 5 3
Flange 1" 150 lb RF, ASME B16.5/ECTFE ⁴⁾	C 5 4
Flange 1" 150 lb RF, ASME B16.5/PFA ⁴⁾	C 5 5
Flange 1" 150 lb RF, ASME B16.5/Enamelled ³⁾	C 5 6
Flange 1" 300 lb RF, ASME B16.5/316L	C 5 7
Flange 1" 300 lb RF, ASME B16.5/ECTFE ⁴⁾	C 5 8
Flange 1" 600 lb RF, ASME B16.5/316L	C 6 0
Flange 1½" 150 lb RF, ASME B16.5/316L	C 6 1
Flange 1½" 150 lb RF, ASME B16.5/Alloy C22 (2.4602)	C 6 2
Flange 1½" 150 lb RF, ASME B16.5/ECTFE ⁴⁾	C 6 3
Flange 1½" 150 lb RF, ASME B16.5/PFA ⁴⁾	C 6 4
Flange 1½" 150 lb RF, ASME B16.5 Enamelled ³⁾	C 6 5
Flange 1½" 150 lb FF, ASME B16.5/ECTFE ⁴⁾	C 6 6
Flange 1½" 300 lb RF, ASME B16.5/316L	C 6 7
Flange 1½" 300 lb RF, ASME B16.5/Alloy 400 (2.4360) ZB2977	C 6 8
Flange 1½" 300 lb RF, ASME B16.5/ECTFE ³⁾	C 7 0
Flange 1½" 600 lb RF, ASME B16.5/316L	C 7 1
Flange 2" 150 lb RF, ASME B16.5/316L	C 7 2
Flange 2" 150 lb RF, ASME B16.5/Alloy C22 (2.4602)	C 7 3

Level measurement
Point level measurement
Vibrating switches

SITRANS LVL200

Selection and ordering data	Article No.	Article No.
SITRANS LVL200 Vibrating point level switch, standard design	7ML5746-	7ML5746-
Detects level and material in liquids and slurries. Short insertion. For hazardous applications.	- A 0	- A 0
Flange 2" 150 lb RF, ASME B16.5/Alloy 400 (2.4360) ZB2977	C 7 4	D 4 6
Flange 2" 150 lb RF, ASME B16.5/ECTFE ⁴⁾	C 7 5	D 4 7
Flange 2" 150 lb RF, ASME B16.5/PFA ⁴⁾	C 7 6	D 4 8
Flange 2" 150 lb RF, ASME B16.5/Enamelled ³⁾	C 7 7	D 5 0
Flange 2" 150 lb FF, ASME B16.5/316L	C 7 8	D 5 1
Flange 2" 150 lb FF, ASME B16.5/ECTFE ⁴⁾	C 8 0	D 5 2
Flange 2" 150 lb SG (small groove), ASME B16.5/316L	C 8 1	D 5 3
Flange 2" 300 lb RF, ASME B16.5/316L	C 8 2	D 5 4
Flange 2" 300 lb RF, ASME B16.5/Alloy C22 (2.4602)	C 8 3	D 5 5
Flange 2" 300 lb RF, ASME B16.5/ECTFE ⁴⁾	C 8 5	D 5 6
Flange 2" 300 lb RF, ASME B16.5/PFA ⁴⁾	C 8 6	D 5 7
Flange 2" 300 lb RF, ASME B16.5/Enamelled ³⁾	C 8 7	D 5 8
Flange 2" 300 lb RJF, ASME B16.5/316L	C 8 8	D 6 0
Flange 2" 300 lb ST, ASME B16.5/316L	D 0 0	D 6 1
Flange 2" 300 lb LG (large groove), ASME B16.5/316L	D 0 1	D 6 2
Flange 2" 300 lb LT, ASME B16.5/316L	D 0 2	D 6 3
Flange 2" 600 lb RF, ASME B16.5/316L	D 0 3	D 6 5
Flange 2" 600 lb RF, ASME B16.5/Alloy 400 (2.4360) ZB2977	D 0 4	D 7 0
Flange 2" 600 lb RF, ASME B16.5/ECTFE ⁴⁾	D 0 5	
Flange 2" 600 lb RJF, ASME B16.5/316L	D 0 6	
Flange 2" 600 lb LG, ASME B16.5/316L	D 0 7	
Flange 2" 900 lb RJF, ASME B16.5/316L	D 0 8	
Flange 2½" 150 lb RF, ASME B16.5/316L	D 1 0	
Flange 2½" 300 lb RF, ASME B16.5/316L	D 1 1	
Flange 3" 150 lb RF, ASME B16.5/316L	D 1 2	
Flange 3" 150 lb RF, ASME B16.5/Alloy C22 (2.4602)	D 1 3	
Flange 3" 150 lb RF, ASME B16.5/ECTFE ⁴⁾	D 1 4	A
Flange 3" 150 lb RF, ASME B16.5/PFA ⁴⁾	D 1 5	B
Flange 3" 150 lb RF, ASME B16.5/Enamelled ³⁾	D 1 6	C
Flange 3" 150 lb FF, ASME B16.5/316L	D 1 7	D
Flange 3" 150 lb FF, ASME B16.5/ECTFE ⁴⁾	D 1 8	E
Flange 3" 150 lb FF, ASME B16.5/PFA ⁴⁾	D 2 0	F
Flange 3" 300 lb RF, ASME B16.5/316L	D 2 1	G
Flange 3" 300 lb RF, ASME B16.5/Alloy C22 (2.4602)	D 2 2	H
Flange 3" 300 lb RF, ASME B16.5/ECTFE ⁴⁾	D 2 3	V
Flange 3" 300 lb RF, ASME B16.5/PFA ⁴⁾	D 2 4	
Flange 3" 300 lb RF, ASME B16.5/Enamelled ³⁾	D 2 5	
Flange 3" 600 lb RF, ASME B16.5/316L	D 2 6	
Flange 3½" 150 lb RF, ASME B16.5/316L	D 2 7	
Flange 3½" 150 lb RF, ASME B16.5/ECTFE ⁴⁾	D 2 8	
Flange 4" 150 lb RF, ASME B16.5/316L	D 3 0	
Flange 4" 150 lb RF, ASME B16.5/Alloy C22 (2.4602)	D 3 1	
Flange 4" 150 lb RF, ASME B16.5/ECTFE ⁴⁾	D 3 2	
Flange 4" 150 lb RF, ASME B16.5/PFA ⁴⁾	D 3 3	
Flange 4" 150 lb RF, ASME B16.5/Enamelled ³⁾	D 3 4	
Flange 4" 150 lb LT, ASME B16.5/316L	D 3 5	
Flange 4" 300 lb RF, ASME B16.5/316L	D 3 6	
Flange 4" 300 lb RF, ASME B16.5/Alloy C22 (2.4602)	D 3 7	
Flange 4" 300 lb RF, ASME B16.5/ECTFE ⁴⁾	D 3 8	
Flange 4" 300 lb RJF, ASME B16.5/316L	D 4 0	
Flange 4" 300 lb LG, ASME B16.5/316L	D 4 1	
Flange 4" 300 lb LT, ASME B16.5/316L	D 4 2	
Flange 4" 600 lb RF, ASME B16.5/316L	D 4 3	
Flange 4" 600 lb RJF, ASME B16.5/316L	D 4 4	
Flange 6" 150 lb RF, ASME B16.5/316L	D 4 5	
SITRANS LVL200 Vibrating point level switch, standard design		
Detects level and material in liquids and slurries. Short insertion. For hazardous applications.		
Flange 6" 150 lb RF, ASME B16.5/Alloy C22 (2.4602)		
Flange 6" 150 lb RF, ASME B16.5/ECTFE ⁴⁾		
Flange 6" 150 lb RF, ASME B16.5/PFA ⁴⁾		
Flange 6" 150 lb RJF, ASME B16.5/316L		
Flange 6" 300 lb RF, ASME B16.5/316L		
Flange 8" 150 lb RF, ASME B16.5/316L		
Flange 8" 150 lb RF, ASME B16.5/ECTFE ⁴⁾		
Flange 1" BS.10 Table E/316L		
Flange 1" BS.10 Table E/PFA ⁴⁾		
Flange 1½" BS.10 Table E/316L		
Flange 3½" BS.10 Table E/316L		
Flange 4" BS.10 Table E/ECTFE ⁴⁾		
Flange DN 40 10K, JIS/316L		
Flange DN 50 10K, JIS/316L		
Flange DN 80 10K, JIS/316L		
Flange DN 100 10K, JIS/316L		
Thread R1 PN 64, EN 10226-1/316L		
Flange 2" 900 lb RF, ASME B16.5/316L		
Adapter/Process temperature		
Without adapter/-50 ... +150 °C (-58 ... +302 °F)		1
With adapter/-50 ... +200 °C (-58 ... +392 °F) ¹³⁾		2
With adapter/-50 ... +250 °C (-58 ... +482 °F)		3
With gas-tight leadthrough/-50 ... +150 °C (-58 ... +302 °F)		4
With gas-tight leadthrough/-50 ... +250 °C (-58 ... +482 °F)		5
Housing/Cable entry		
Aluminum IP66/IP67/M20 x 1.5		A
Aluminum IP66/IP67/½" NPT		B
316L stainless steel (electropolished) IP66/IP67/M20 x 1.5		C
316L stainless steel (electropolished) IP66/IP67/½" NPT		D
Plastic single chamber IP66/IP67/M20 x 1.5		E
Plastic single chamber IP66/IP67/½" NPT		F
Stainless steel chamber (precision casting) IP66/IP67/M20 x 1.5		G
Stainless steel chamber (precision casting) IP66/IP67/½" NPT		H
Aluminum IP66/IP67/M20 x 1.5 Special HARTING plug HAN 7D (bent) according to Tier One (ZB7555) ¹¹⁾		V

Level measurement

Point level measurement

Vibrating switches

SITRANS LVL200

Selection and ordering data

Order code

Further designs

Please add ***-Z** to Article No. and specify Order code(s).

Switching status indication with colors red-green¹²⁾

A21

Cleaning including Certificate (oil, grease, and silicone free)

W01

Identification label (measurement loop) stainless steel: max. 40 characters, add in plain text. To add more than one line, use a coma "," for line break.

Y17

Identification Label (measurement loop) foil: max. 40 characters add in plain text. To add more than one line, use a coma "," for line break.

Y18

NACE0175 to 3.1 Material Certificate for material (EN10204 NACE MR 0175)⁸⁾ Note: not available with Process Connection and Rigid extension coatings PFA, ECTFE, and Enamel. NACE not available with Hygienic process connections.

D07

Material Inspection certificate 3.1 of EN 10204⁸⁾

C05

2.2-Factory certificate for material (EN 10204)⁸⁾

C15

Functional Safety (SIL 2). Device suitable for use in accordance with IEC 61508 and IEC 61511⁸⁾

C20

Dye penetration test, results confirmed via a 3.1 certificate/instrument (EN 10204)⁸⁾

C13

X-ray test + 3.1 certificate/instrument⁸⁾

C14

Positive material identification test + 3.1 certificate/instrument⁸⁾

C16

Roughness test + 3.1 certificate/instrument⁸⁾

C18

3.1-Inspection Certificate for instrument with test data (EN 10204)⁸⁾

C25

Quality and test plan

C26

Inspection certificate 3.1 (EN 10204) - device and pressure test⁸⁾

C31

Helium leak test + 3.1 certificate/instrument⁸⁾

C32

Ferrite measuring accuracy to DIN 32514-1 + 3.1 certificate/instrument⁸⁾

C60

Pressure test according to Norsok + 3.1 certificate/instrument⁸⁾

C61

Operating Instructions

All literature is available to download for free, in a range of languages, at

<http://www.siemens.com/processinstrumentation/documentation>

Spare Parts and Accessories

Electronics module SITRANS LVL200 Relay

Article No.

7ML1830-1NC

Electronics module SITRANS LVL200 Contactless

7ML1930-6AA

NAMUR spare electronics module

A5E35817107

SITRANS SCSC single channel signal conditioner and remote test

7ML5760-.....-.....

SITRANS TCSC two channel signal conditioner and remote test

7ML5761-.....-.....

LVL200 Threaded Welded Socket

• G $\frac{3}{4}$ " A/316L with FKM Seal

7ML1930-1EE

• G1" A/316L with FKM Seal

7ML1930-1EF

• M27 x 1.5/316L with FKM Seal

7ML1930-1EG

• G $\frac{3}{4}$ " A/316L with EPDM Seal

7ML1930-1EH

• G1" A/316L with EPDM Seal

7ML1930-1EJ

• M27 x 1.5/316L with EPDM Seal

7ML1930-1EK

¹⁾ Available only with Adapter/Process temperature options 1, 3, 4, and 5.

²⁾ Available only with Housing/Protection/Cable option B.

³⁾ Available only with Adapter/Process Temperature options 1, 2, and 4.

⁴⁾ Not available with Adapter/Process Temperature options 2, 3, and 5.

⁵⁾ Not available with Adapter/Process Temperature options 2, 4, and 5.

⁶⁾ Available only with Electronics options 4 and 6.

⁷⁾ Not available with ECTFE coated probe options.

⁸⁾ Listed Certificates are not available with all configurations please contact factory for more information.

⁹⁾ Not available with Housing/Protection/Cable Option V.

¹⁰⁾ Not available with PFA and ECTFE coating options.

¹¹⁾ Available only with Approval option A.

¹²⁾ Available only with Relay Electronic options and Non-hazardous Approval options.

¹³⁾ Available only with Enamelled Process connection options.

¹⁴⁾ Available only with Electronic options 4, 5, and 6.

¹⁵⁾ Available only with Aluminum Housing/Protection/Cable options.

¹⁶⁾ Not available with Stainless Steel (electropolished) Housing/Protection/Cable options and certain glands.

¹⁷⁾ Not available with Plastic and Stainless Steel (electropolished) Housing/Protection/Cable options and certain glands.

¹⁸⁾ Not available with Housing/Protection/Cable options D, and V.

¹⁹⁾ Not available with Plastic Housing/Protection/Cable options and certain glands.

²⁰⁾ Not available with Housing/Protection/Cable options A, E, G, and V.

²¹⁾ Available only with Housing/Protection/Cable options B, D, F, and H.

²²⁾ Not available with Housing/Protection/Cable options C and V.

²³⁾ Available only with Housing/Protection/Cable options A, B, and H.

²⁴⁾ Not available with Approval options C, E, G, H, L, N, V, W, J1A, J1D, and J1E.

²⁵⁾ Not available with Approval options C, E, G, H, N, V, W, J1A, J1D, and J1E.

²⁶⁾ Available only with Electronic option 4.

²⁷⁾ Not available with EAC approval options.

²⁸⁾ Not available with Electronic option 6.

Level measurement
Point level measurement
Vibrating switches

SITRANS LVL200

Selection and ordering data	Article No.	Article No.
<p>SITRANS LVL200 Vibrating point level switch, rigid extension design</p> <p>Detects level and material in liquids and slurries. Top mount, with extension options to 6 m (19.69 ft). Ideal for hazardous applications.</p> <p>Click on the Article No. for the online configuration in the PIA Life Cycle Portal.</p> <p>Electronics</p> <p>Contactless electronic switch 20 ... 250 V AC/DC¹⁹⁾¹⁴⁾</p> <p>Double relay (DPDT) 20 ... 72 V DC/20 ... 250 V AC¹⁴⁾</p> <p>NAMUR signal⁹⁾</p> <p>Transistor (NPN/PNP) 10 ... 55 V DC¹⁾¹⁵⁾</p> <p>Two-wire (8/16 mA) 12 ... 36 V DC²⁵⁾</p> <p>Approvals</p> <p>CE</p> <p>Overfill protection (WHG)⁹⁾</p> <p>ATEX II 1G, 1/2G, 2G Ex ia IIC T6⁶⁾</p> <p>ATEX II 1G, 1/2G, 2G Ex ia IIC T6 + WHG⁶⁾⁹⁾</p> <p>ATEX II 1/2G, 2G Ex d IIC T6 + WHG⁵⁾⁷⁾¹⁶⁾</p> <p>ATEX II 1G, 1/2G, 2G Ex ia IIC T6 + shipping approvals⁵⁾¹⁷⁾</p> <p>ATEX II 1/2G, 2G Ex d IIC T6 + shipping approvals⁵⁾⁷⁾¹⁶⁾</p> <p>ATEX II 1G, 1/2G, 2G Ex ia IIC T6 + ATEX II 1/2D IP6X T⁶⁾⁸⁾¹⁸⁾</p> <p>IECEx Ex ia IIC T6⁶⁾¹⁹⁾</p> <p>Shipping approvals¹⁷⁾</p> <p>ATEX II 3G Ex nA II T5 ... T1 X</p> <p>FM (IS) Class I, II, III, Div. 1, Groups A, B, C, D, E, F, G⁶⁾²⁰⁾</p> <p>FM (XP) Class I, Div. 1, Groups A, B, C, D, (DIP) Class II, III, Div. 1, Groups E, F, G²⁾⁵⁾</p> <p>FM (NI) Class I, Div. 2, Groups A, B, C, D, CE²¹⁾</p> <p>IECEx d IIC T6 ... T2 Ga/Gb⁵⁾⁷⁾¹⁶⁾</p> <p>CSA (XP) Class I, II, III Div. 1, Groups A, B, C, D, E, F, G²⁾⁵⁾⁷⁾</p> <p>CSA (NI) Class I, II, III, Div. 2, Groups A, B, C, D, E, F, G, CE²²⁾</p> <p>BR-Ex d IIC T6 ... T2⁵⁾¹⁸⁾</p> <p>CSA (IS) Class I, II, III Div. 1, Groups A, B, C, D, E, F, G⁶⁾⁹⁾</p> <p>ATEX II 1/2D, 2D ExtD A20/21, A21 IP6 T...⁶⁾²³⁾</p> <p>GOST-R/EAC + ATEX II 1G, 1/2G, 2G Ex ia IIC T6 + WHG⁹⁾²⁴⁾</p> <p>GOST-R/EAC + ATEX II 1/2G, Ex d IIC T2 ... T6 + WHG⁵⁾⁷⁾¹⁶⁾²⁶⁾</p> <p>GOST-R/EAC + ATEX II 1/2G, Ex d IIC T2 ... T6 + Ship approval⁵⁾⁷⁾¹⁶⁾²⁶⁾</p> <p>GOST-R/EAC + ATEX II 1G, 1/2G, 2G Ex ia IIC T6 + II 1/2D, 2D ExtD¹⁸⁾²⁴⁾</p> <p>GOST-R/EAC + ATEX II 1/2D, 2D ExtD A20/21, A21 IP6 T...¹⁸⁾²⁴⁾</p> <p>NOTE:</p> <p>When selecting a Process connection option, process connection coating must match the extension coating and the material and surface roughness type.</p> <p>Process connection</p> <p>Thread G3/4" A, PN 64/316L</p> <p>Thread G3/4" A, PN 64/316L Ra < 0.8 µm</p> <p>Thread 3/4" NPT, PN 64/316L</p> <p>Thread 3/4" NPT, PN 64/316L Ra < 0.8 µm</p> <p>Thread 3/4" NPT, PN 64/Alloy 400 (2.4360)</p> <p>Thread G3/4" A, PN 64/Alloy C22 (2.4602)</p> <p>Thread 3/4" NPT, PN 64/Alloy C22 (2.4602)</p> <p>Thread G1" A, PN 64/316L</p> <p>Thread G1" A, PN 64/316L ECTFE coated MB1982⁴⁾</p> <p>Thread G1" A, PN 64/316L PFA coated⁴⁾</p> <p>Thread G1" A, PN 64/Alloy 400 (2.4360)</p> <p>Thread G1" A, PN 64/316L Ra < 0.8 µm</p>	<p>7ML5747-</p> <p>1</p> <p>2</p> <p>4</p> <p>5</p> <p>6</p> <p>A</p> <p>B</p> <p>C</p> <p>D</p> <p>E</p> <p>F</p> <p>G</p> <p>H</p> <p>K</p> <p>L</p> <p>N</p> <p>P</p> <p>Q</p> <p>R</p> <p>S</p> <p>T</p> <p>U</p> <p>V</p> <p>X</p> <p>Z</p> <p>Z</p> <p>Z</p> <p>Z</p> <p>Z</p> <p>A 0 0</p> <p>A 0 1</p> <p>A 0 2</p> <p>A 0 3</p> <p>A 0 4</p> <p>A 0 5</p> <p>A 0 6</p> <p>A 0 7</p> <p>A 0 8</p> <p>A 1 0</p> <p>A 1 1</p> <p>A 1 3</p>	<p>SITRANS LVL200 Vibrating point level switch, rigid extension design</p> <p>Detects level and material in liquids and slurries. Top mount, with extension options to 6 m (19.69 ft). Ideal for hazardous applications.</p> <p>Thread 1" NPT, PN 64/316L</p> <p>Thread 1" NPT, PN 64/316L ECTFE coated MB1982⁴⁾</p> <p>Thread 1" NPT, PN 64/316L PFA coated⁴⁾</p> <p>Thread 1" NPT, PN 64/Alloy 400 (2.4360)</p> <p>Thread 1" NPT, PN 64/316L Ra < 0.8 µm</p> <p>Thread G1" A, PN 64/Alloy C22 (2.4602)</p> <p>Thread G1 1/2" A, PN 64/316L</p> <p>Thread G1 1/2" A, PN 64/316L Ra < 0.8 µm</p> <p>Thread G1 1/2" A, PN 64/Alloy C22 (2.4602)</p> <p>Thread 1" NPT, PN 64/Alloy C22 (2.4602)</p> <p>Thread 1 1/2" NPT, PN 64/316L</p> <p>Thread 1 1/2" NPT, PN 64/316L Ra < 0.8 µm</p> <p>Thread 1 1/2" NPT, PN 64/Alloy C22 (2.4602)</p> <p>Thread G2" A, PN 64/316L</p> <p>Thread M27 x 1.5 PN 64/316L</p> <p>Cyl. socket/316Ti/1.4581 ECTFE coated ZB2984⁴⁾</p> <p>Conus DN 25 PN 40/316L Ra < 0.3 µm</p> <p>Conus DN 25 PN 40/316L Ra < 0.8 µm</p> <p>Conus DN 25 PN 40/ECTFE (ZB3033)⁴⁾</p> <p>Conus M52 PN 40/316L</p> <p>Conus M52 PN 40/316L Ra < 0.3 µm</p> <p>Conus M52 PN 40/316L Ra < 0.8 µm</p> <p>Tri-Clamp 1" PN 16/316L Ra < 0.3 µm</p> <p>Tri-Clamp 1" PN 16/Alloy C22 (2.4602)</p> <p>Tri-Clamp 1" PN 16/316L Ra < 0.8 µm</p> <p>Tri-Clamp 1 1/2" PN 16/316L Ra < 0.3 µm</p> <p>Tri-Clamp 1 1/2" PN 16/Alloy C22 (2.4602)</p> <p>Tri-Clamp 1 1/2" PN 16/316L Ra < 0.8 µm</p> <p>Tri-Clamp 2" PN 16/316L Ra < 0.3 µm</p> <p>Tri-Clamp 2" PN 16/Alloy C22 (2.4602)</p> <p>Tri-Clamp 2" PN 16/316L Ra < 0.8 µm</p> <p>Tri-Clamp 2 1/2" PN 10/316L Ra < 0.3 µm</p> <p>Tri-Clamp 2 1/2" PN 10/316L Ra < 0.8 µm</p> <p>Tri-Clamp 3" PN 10/316L Ra < 0.3 µm</p> <p>Clamp 3" PN16 (ø91 mm) DIN32676, ISO2852/ 316L (Ra < 0.8 µm)</p> <p>Bolting DN 32 PN 40 DIN 11851/316L Ra < 0.3 µm</p> <p>Bolting DN 32 PN 40 DIN 11851/316L Ra < 0.8 µm</p> <p>Bolting DN 25 PN 40 DIN 11851/316L Ra < 0.3 µm</p> <p>Bolting DN 25 PN 40 DIN 11851/316L Ra < 0.8 µm</p> <p>Bolting DN 40 PN 40 DIN 11851/316L Ra < 0.3 µm</p> <p>Bolting DN 40 PN 40 DIN 11851/316L Ra < 0.8 µm</p> <p>Bolting DN 40 PN 40 DIN 11864-1 A/316L Ra < 0.8 µm ZB3052</p> <p>Bolting DN 50 PN 25 DIN 11851/316L Ra < 0.3 µm</p> <p>Bolting DN 50 PN 25 DIN 11851/316L Ra < 0.8 µm</p> <p>Bolting DN 50 PN 25 DIN 11864-1 A/316L Ra < 0.8 µm ZB3052</p> <p>Hygienic w.compr.nut F40 PN 25/316L</p> <p>Hygienic w.compr.nut F40 PN 25/316L Ra < 0.3 µm</p> <p>Hygienic w.compr.nut F40 PN 25/316L Ra < 0.8 µm</p> <p>Varivent N50-40/316L Ra < 0.3 µm</p> <p>Varivent N50-40/316L Ra < 0.8 µm</p> <p>Varivent N125/100/316L Ra < 0.8 µm</p> <p>DRD flange PN 40/316L ZB3007</p> <p>SMS DN 38/316L Ra < 0.8 µm⁴⁾</p> <p>SMS DN 51 PN 6/316L Ra < 0.8 µm⁴⁾</p> <p>Swagelok VCR screwing ZG2579 PN 64/316L</p> <p>A 1 4</p> <p>A 1 5</p> <p>A 1 6</p> <p>A 1 7</p> <p>A 1 8</p> <p>A 2 0</p> <p>A 2 1</p> <p>A 2 2</p> <p>A 2 3</p> <p>A 2 4</p> <p>A 2 5</p> <p>A 2 6</p> <p>A 2 7</p> <p>A 2 8</p> <p>A 3 0</p> <p>A 3 1</p> <p>A 3 2</p> <p>A 3 3</p> <p>A 3 4</p> <p>A 3 5</p> <p>A 3 6</p> <p>A 3 7</p> <p>A 3 8</p> <p>A 4 0</p> <p>A 4 1</p> <p>A 4 2</p> <p>A 4 3</p> <p>A 4 4</p> <p>A 4 5</p> <p>A 4 6</p> <p>A 4 7</p> <p>A 4 8</p> <p>A 5 0</p> <p>A 5 1</p> <p>A 5 2</p> <p>A 5 3</p> <p>A 5 4</p> <p>A 5 5</p> <p>A 5 6</p> <p>A 5 7</p> <p>A 5 8</p> <p>A 6 0</p> <p>A 6 1</p> <p>A 6 2</p> <p>A 6 3</p> <p>A 6 4</p> <p>A 6 5</p> <p>A 6 6</p> <p>A 6 7</p> <p>A 6 8</p> <p>A 7 0</p> <p>A 7 1</p> <p>A 7 2</p> <p>A 7 3</p> <p>A 7 4</p>



Level measurement

Point level measurement

Vibrating switches

SITRANS LVL200

Selection and ordering data

Article No.

Article No.

SITRANS LVL200 Vibrating point level switch, rigid extension design

Detects level and material in liquids and slurries. Top mount, with extension options to 6 m (19.69 ft). Ideal for hazardous applications.

	7ML5747-
Neumo biocontrol size 25 PN 16/316L Ra < 0.8 µm	A 7 5
Neumo biocontrol size 50 PN 16/316L Ra < 0.8 µm	A 7 6
SÜDMO DN 50 PN 10/316L Ra < 0.8 µm	A 8 0
Small flange DN 25 PN 1.5 DIN 28403/316L pol. Ra < 0.8 µm	A 8 1
Small flange DN 40 PN 1.5 DIN 28403/316L pol. Ra < 0.8 µm	A 8 2
Ingold connection PN 16/316L Ra < 0.8 µm	A 8 3
Collar clamp connection DN 33,7 PN 40 Form A, DIN 11864-3/1.4435 (BN2, Ra < 0.8 µm)	A 8 4
Collar flange DN 50 PN 16 Form A, DIN 11864-2/316L (Ra < 0.8 µm)	A 8 5
Flange DN 25 PN 6 Form C, DIN 2501/316L	A 8 6
Flange DN 25 PN 6 Form C, DIN 2501/PFA ⁴⁾	A 8 7
Flange DN 25 PN 40 Form C, DIN 2501/316L	A 8 8
Flange DN 25 PN 40 Form C, DIN 2501/Alloy C22 (2.4602) plated	B 0 0
Flange DN 25 PN 40 Form C, DIN 2501/ECTFE ⁴⁾	B 0 1
Flange DN 25 PN 40 Form C, DIN 2501/PFA ⁴⁾	B 0 2
Flange DN 25 PN 40 Form D, DIN 2501/316L	B 0 3
Flange DN 25 PN 40 Form F, DIN 2501/316L	B 0 4
Flange DN 25 PN 40 Form N, DIN 2501/316L	B 0 5
Flange DN 25 PN 40 Form N, DIN 2501/Alloy 400 (2.4360) solid	B 0 7
Flange DN 25 PN 40 V13, DIN 2501/316L	B 0 8
Flange DN 32 PN 40 Form C, DIN 2501/316L	B 1 0
Flange DN 32 PN 40 Form C, DIN 2501/ECTFE ⁴⁾	B 1 1
Flange DN 40 PN 6 Form C, DIN 2501/316L	B 1 2
Flange DN 40 PN 6 Form C, DIN 2501/ECTFE ⁴⁾	B 1 3
Flange DN 40 PN 40 Form C, DIN 2501/316L	B 1 4
Flange DN 40 PN 40 Form C, DIN 2501/Alloy C22 (2.4602) plated	B 1 5
Flange DN 40 PN 40 Form C, DIN 2501/ECTFE ⁴⁾	B 1 6
Flange DN 40 PN 40 Form C, DIN 2501/PFA ⁴⁾	B 1 7
Flange DN 40 PN 40 Form C, DIN 2501/Enamelled ³⁾	B 1 8
Flange DN 40 PN 40 Form F, DIN 2501/316L	B 2 0
Flange DN 40 PN 40 Form N, DIN 2501/316L	B 2 1
Flange DN 40 PN 40 Form E, DIN 2501/316L	B 2 2
Flange DN 40 PN 40 V13, DIN 2501/316L	B 2 3
Flange DN 50 PN 40 Form C, DIN 2501/316L	B 2 4
Flange DN 50 PN 40 Form C, DIN 2501/Alloy C22 (2.4602) plated	B 2 5
Flange DN 50 PN 40 Form C, DIN 2501/ECTFE ⁴⁾	B 2 6
Flange DN 50 PN 40 Form C, DIN 2501/ECTFE (ZB3108) ⁴⁾	B 2 7
Flange DN 50 PN 40 Form C, DIN 2501/PFA ⁴⁾	B 2 8
Flange DN 50 PN 40 Form D, DIN 2501/316L	B 3 0
Flange DN 50 PN 40 Form D, DIN 2501/Alloy C22 (2.4602)	B 3 1
Flange DN 50 PN 40 Form F, DIN 2501/316L	B 3 2
Flange DN 50 PN 40 Form N, DIN 2501/316L	B 3 3
Flange DN 50 PN 40 Form N, DIN 2501/Alloy C22 (2.4602) solid	B 3 4
Flange DN 50 PN 40 Form E, DIN 2501/316L	B 3 5
Flange DN 50 PN 40 V13, DIN 2501/316L	B 3 6
Flange DN 50 PN 40 R13, DIN 2501/316L	B 3 7
Flange DN 50 PN 64 Form F, DIN 2501/316L	B 3 8
Flange DN 50 PN 64 Form C, DIN 2501/316L	B 4 1
Flange DN 50 PN 64 Form L, DIN 2501/316L	B 4 2

SITRANS LVL200 Vibrating point level switch, rigid extension design

Detects level and material in liquids and slurries. Top mount, with extension options to 6 m (19.69 ft). Ideal for hazardous applications.

	7ML5747-
Flange DN 50 PN 100 Form E, DIN 2501/316L	B 4 3
Flange DN 50 PN 100 Form L, DIN 2501/316L	B 4 4
Flange DN 65 PN 40 Form C, DIN 2501/316L	B 4 5
Flange DN 65 PN 40 Form C, DIN 2501/ECTFE ⁴⁾	B 4 7
Flange DN 65 PN 40 Form C, DIN 2501/PFA ⁴⁾	B 4 8
Flange DN 65 PN 40 Form F, DIN 2501/316L	B 5 0
Flange DN 65 PN 64 Form E, DIN 2501/316L	B 5 1
Flange DN 80 PN 40 Form C, DIN 2501/316L	B 5 2
Flange DN 80 PN 40 Form C, DIN 2501/Alloy C22 (2.4602) plated	B 5 3
Flange DN 80 PN 40 Form C, DIN 2501/ECTFE ⁴⁾	B 5 4
Flange DN 80 PN 40 Form C, DIN 2501/PFA ⁴⁾	B 5 5
Flange DN 80 PN 40 Form F, DIN 2501/316L	B 5 6
Flange DN 80 PN 40 Form N, DIN 2501/316L	B 5 7
Flange DN 100 PN 16 Form C, DIN 2501/316L	B 6 0
Flange DN 100 PN 16 Form C, DIN 2501/Alloy C22 (2.4602) plated	B 6 1
Flange DN 100 PN 16 Form C, DIN 2501/ECTFE ⁴⁾	B 6 2
Flange DN 100 PN 16 Form C, DIN 2501/PFA ⁴⁾	B 6 3
Flange DN 100 PN 16 Form D, DIN 2501/316L	B 6 4
Flange DN 100 PN 16 Form F, DIN 2501/316L	B 6 5
Flange DN 100 PN 16 Form N, DIN 2501/316L	B 6 6
Flange DN 100 PN 40 Form C, DIN 2501/316L	B 6 7
Flange DN 100 PN 40 Form C, DIN 2501/ECTFE ⁴⁾	B 6 8
Flange DN 100 PN 40 Form C, DIN 2501/PFA ⁴⁾	B 7 0
Flange DN 100 PN 40 Form C, DIN 2501/Enamelled ³⁾	B 7 1
Flange DN 100 PN 40 Form F, DIN 2501/316L	B 7 2
Flange DN 100 PN 40 Form N, DIN 2501/316L	B 7 3
Flange DN 100 PN 40 V13, DIN 2501/316L	B 7 4
Flange DN 100 PN 64 Form E, DIN 2501/316L	B 7 5
Flange DN 100 PN 100 Form E, DIN 2501/316L	B 7 6
Flange DN 100 PN 100 Form L, DIN 2501/316L	B 7 7
Flange DN 125 PN 16 Form F, DIN 2501/316L	B 7 8
Flange DN 125 PN 40 Form C, DIN 2501/316L	B 8 0
Flange DN 125 PN 40 Form N, DIN 2512/316L	B 8 1
Flange DN 150 PN 16 Form C, DIN 2501/316L	B 8 2
Flange DN 150 PN 16 Form C, DIN 2501/Alloy C22 (2.4602) plated	B 8 3
Flange DN 150 PN 16 Form C, DIN 2501/ECTFE ⁴⁾	B 8 4
Flange DN 150 PN 16 Form C, DIN 2501/PFA ⁴⁾	B 8 5
Flange DN 150 PN 16 Form D, DIN 2501/316L	B 8 6
Flange DN 150 PN 40 Form C, DIN 2501/316L	B 8 7
Flange DN 150 PN 40 Form C, DIN 2501/Alloy C22 (2.4602) plated	B 8 8

Level measurement

Point level measurement

Vibrating switches

SITRANS LVL200


Selection and ordering data	Article No.	Article No.
SITRANS LVL200 Vibrating point level switch, rigid extension design Detects level and material in liquids and slurries. Top mount, with extension options to 6 m (19.69 ft). Ideal for hazardous applications.	7ML5747-	SITRANS LVL200 Vibrating point level switch, rigid extension design Detects level and material in liquids and slurries. Top mount, with extension options to 6 m (19.69 ft). Ideal for hazardous applications.
Flange DN 150 PN 40 Form F, DIN 2501/316L	C 0 0	Flange DN 150 PN 40 Form B1, EN 1092-1/316L
Flange DN 150 PN 40 Form N, DIN 2512/316L	C 0 1	Flange DN 150 PN 40 Form B1, EN 1092-1/ECTFE ⁴⁾
Flange DN 200 PN 10 Form C, DIN 2501/ECTFE ⁴⁾	C 0 2	Flange DN 150 PN 40 Form B2, EN 1092-1/316L
Flange DN 200 PN 16 Form C, DIN 2501/316L	C 0 3	Flange 1" 150 lb ASME B16.5/316L
Flange DN 25 PN 40 Form B1, EN 1092-1/316L	C 0 4	Flange 1" 150 lb RF, ASME B16.5/Alloy C22 (2.4602) plated
Flange DN 25 PN 40 Form B1, EN 1092-1/Alloy C22 (2.4602) plated	C 0 5	Flange 1" 150 lb RF, ASME B16.5/ECTFE ⁴⁾
Flange DN 25 PN 40 Form B1, EN/316L/PFA ⁴⁾	C 0 6	Flange 1" 150 lb RF, ASME B16.5/PFA ⁴⁾
Flange DN 25 PN 40 Form B1, EN 1092-1/Enamelled ³⁾	C 0 7	Flange 1" 150 lb RF, ASME B16.5/Enamelled ³⁾
Flange DN 25 PN 40 Form B2, EN 1092-1/316L	C 0 8	Flange 1" 300 lb RF, ASME B16.5/316L
Flange DN 25 PN 40 Form F, EN 1092-1/316L	C 1 0	Flange 1" 300 lb RF, ASME B16.5/ECTFE ⁴⁾
Flange DN 25 PN 63 Form B1, EN 1092-1/316L	C 1 1	Flange 1" 600 lb RF, ASME B16.5/316L
Flange DN 25 PN 100 Form B2, EN 1092-1/316L	C 1 2	Flange 1½" 150 lb RF, ASME B16.5/316L
Flange DN 40 PN 40 Form B1, EN/316L	C 1 3	Flange 1½" 150 lb RF, ASME B16.5/Alloy C22 (2.4602) plated
Flange DN 40 PN 40 Form B1, EN 1092-1/PFA ⁴⁾	C 1 4	Flange 1½" 150 lb RF, ASME B16.5/ECTFE ⁴⁾
Flange DN 40 PN 40 Form B2, EN/316L	C 1 5	Flange 1½" 150 lb RF, ASME B16.5/PFA ⁴⁾
Flange DN 50 PN 40 Form B1, EN/316L	C 1 6	Flange 1½" 150 lb RF, ASME B16.5/Enamelled ³⁾
Flange DN 50 PN 40 Form B1, EN 1092-1/Alloy C22 (2.4602) plated	C 1 7	Flange 1½" 150 lb RF, ASME B16.5/ECTFE ⁴⁾
Flange DN 50 PN 40 Form B1, EN 1092-1/Alloy 400 (2.4360) ZB2977	C 1 8	Flange 1½" 300 lb RF, ASME B16.5/316L
Flange DN 50 PN 40 Form B1, EN 1092-1/ECTFE ⁴⁾	C 2 0	Flange 1½" 300 lb RF, ASME B16.5/Alloy 400 (2.4360) ZB2977
Flange DN 50 PN 40 Form B1, EN/316L/PFA ⁴⁾	C 2 1	Flange 1½" 300 lb RF, ASME B16.5/ECTFE ⁴⁾
Flange DN 50 PN 40 Form B1, EN 1092-1/Enamelled ³⁾	C 2 2	Flange 1½" 600 lb RF, ASME B16.5/316L
Flange DN 50 PN 40 Form C, EN 1092-1/316L	C 2 3	Flange 2" 150 lb RF, ASME B16.5/316L
Flange DN 50 PN 40 Form D, EN/316L	C 2 4	Flange 2" 150 lb RF, ASME B16.5/Alloy C22 (2.4602) plated
Flange DN 50 PN 40 Form B2, EN 1092-1/316L	C 2 6	Flange 2" 150 lb RF, ASME B16.5/ECTFE ⁴⁾
Flange DN 50 PN 40 Form E, EN 1092-1/316L	C 2 7	Flange 2" 150 lb RF, ASME B16.5/PFA ⁴⁾
Flange DN 80 PN 40 Form B1, EN 1092-1/316L	C 2 8	Flange 2" 150 lb RF, ASME B16.5/Enamelled ³⁾
Flange DN 80 PN 40 Form B1, EN 1092-1/Alloy C22 (2.4602) plated	C 3 0	Flange 2" 150 lb FF, ASME B16.5/316L
Flange DN 80 PN 40 Form B1, EN 1092-1/ECTFE ⁴⁾	C 3 1	Flange 2" 150 lb FF, ASME B16.5/ECTFE ⁴⁾
Flange DN 80 PN 40 Form B1, EN 1092-1/Enamelled ³⁾	C 3 2	Flange 2" 150 lb SG (small groove), ASME B16.5/316L
Flange DN 80 PN 40 Form B2, EN 1092-1/316L	C 3 3	Flange 2" 300 lb RF, ASME B16.5/316L
Flange DN 100 PN 16 Form B1, EN 1092-1/316L	C 3 4	Flange 2" 300 lb RF, ASME B16.5/Alloy C22 (2.4602) plated
Flange DN 100 PN 16 Form B1, EN 1092-1/Alloy C22 (2.4602) plated	C 3 5	Flange 2" 300 lb RF, ASME B16.5/ECTFE ⁴⁾
Flange DN 100 PN 16 Form B1, EN 1092-1/Enamelled ³⁾	C 3 6	Flange 2" 300 lb RF, ASME B16.5/PFA ⁴⁾
Flange DN 100 PN 40 Form B1, EN 1092-1/316L	C 3 7	Flange 2" 300 lb RJF, ASME B16.5/316L
Flange DN 100 PN 40 Form B1, EN 1092-1/Enamelled ³⁾	C 3 8	Flange 2" 300 lb ST, ASME B16.5/316L
Flange DN 100 PN 40 Form C, EN 1092-1/316L	C 4 0	Flange 2" 300 lb LG (large groove), ASME B16.5/316L
Flange DN 100 PN 63 Form B2, EN 1092-1/316L	C 4 1	Flange 2" 300 lb LT, ASME B16.5/316L
Flange DN 150 PN 16 Form B1, EN 1092-1/316L	C 4 2	Flange 2" 600 lb RF, ASME B16.5/316L
Flange DN 150 PN 16 Form B1, EN 1092-1/PFA ⁴⁾	C 4 3	Flange 2" 600 lb RF, ASME B16.5/Alloy 400 (2.4360) ZB2977
		Flange 2" 600 lb RF, ASME B16.5/ECTFE ⁴⁾
		Flange 2" 600 lb RJF, ASME B16.5/316L
		Flange 2" 600 lb LG, ASME B16.5/316L
		Flange 2" 900 lb RJF, ASME B16.5/316L
		Flange 2½" 150 lb RF, ASME B16.5/316L
		Flange 2½" 300 lb RF, ASME B16.5/316L
		Flange 3" 150 lb RF, ASME B16.5/316L
		Flange 3" 150 lb RF, ASME B16.5/Alloy C22 (2.4602) plated
		Flange 3" 150 lb RF, ASME B16.5/Alloy 400 (2.4360) ZB2977
		Flange 3" 150 lb RF, ASME B16.5/ECTFE ⁴⁾
		Flange 3" 150 lb RF, ASME B16.5/PFA ⁴⁾

Level measurement
Point level measurement
Vibrating switches

SITRANS LVL200

4

Selection and ordering data	Article No.	Article No.
SITRANS LVL200 Vibrating point level switch, rigid extension design	7ML5747-	7ML5747-
Detects level and material in liquids and slurries. Top mount, with extension options to 6 m (19.69 ft). Ideal for hazardous applications.		Detects level and material in liquids and slurries. Top mount, with extension options to 6 m (19.69 ft). Ideal for hazardous applications.
Flange 3" 150 lb RF, ASME B16.5/Enamelled ³⁾	D 1 4	
Flange 3" 150 lb FF, ASME B16.5/316L	D 1 5	
Flange 3" 150 lb FF, ASME B16.5/ECTFE ⁴⁾	D 1 6	
Flange 3" 150 lb FF, ASME B16.5/PFA ⁴⁾	D 1 7	
Flange 3" 300 lb RF, ASME B16.5/316L	D 1 8	
Flange 3" 300 lb RF, ASME B16.5/Alloy C22 (2.4602) plated	D 2 0	
Flange 3" 300 lb RF, ASME B16.5/ECTFE ⁴⁾	D 2 1	
Flange 3" 300 lb RF, ASME B16.5/PFA ⁴⁾	D 2 2	
Flange 3" 300 lb RF, ASME B16.5/Enamelled ³⁾	D 2 3	
Flange 3" 600 lb RF, ASME B16.5/316L	D 2 4	
Flange 3½" 150 lb RF, ASME B16.5/316L	D 2 5	
Flange 3½" 150 lb RF, ASME B16.5/ECTFE ⁴⁾	D 2 6	
Flange 4" 150 lb RF, ASME B16.5/316L	D 2 7	
Flange 4" 150 lb RF, ASME B16.5/Alloy C22 (2.4602) plated	D 2 8	
Flange 4" 150 lb RF, ASME B16.5/ECTFE ⁴⁾	D 3 0	
Flange 4" 150 lb RF, ASME B16.5/PFA ⁴⁾	D 3 1	
Flange 4" 150 lb RF, ASME B16.5/Enamelled ³⁾	D 3 2	
Flange 4" 150 lb LT, ASME B16.5/316L	D 3 3	
Flange 4" 300 lb RF, ASME B16.5/316L	D 3 4	
Flange 4" 300 lb RF, ASME B16.5/Alloy C22 (2.4602) plated	D 3 5	
Flange 4" 300 lb RF, ASME B16.5/ECTFE ⁴⁾	D 3 6	
Flange 4" 300 lb RJF, ASME B16.5/316L	D 3 7	
Flange 4" 300 lb LG, ASME B16.5/316L	D 3 8	
Flange 4" 300 lb LT, ASME B16.5/316L	D 4 0	
Flange 4" 600 lb RF, ASME B16.5/316L	D 4 1	
Flange 4" 600 lb RJF, ASME B16.5/316L	D 4 2	
Flange 5" 150 lb RF, ASME B16.5/316L	D 4 3	
Flange 6" 150 lb RF, ASME B16.5/316L	D 4 4	
Flange 6" 150 lb RF, ASME B16.5/Alloy C22 (2.4602) plated	D 4 5	
Flange 6" 150 lb RF, ASME B16.5/ECTFE ⁴⁾	D 4 6	
Flange 6" 150 lb RF, ASME B16.5/PFA ⁴⁾	D 4 7	
Flange 6" 150 lb RJF, ASME B16.5/316L	D 4 8	
Flange 6" 300 lb RF, ASME B16.5/316L	D 5 0	
Flange 8" 150 lb RF, ASME B16.5/316L	D 5 1	
Flange 8" 150 lb RF, ASME B16.5/ECTFE ⁴⁾	D 5 2	
Flange 1" BS.10 Table E/316L	D 5 3	
Flange 1" BS.10 Table E/PFA ⁴⁾	D 5 4	
Flange 1½" BS.10 Table E/316L	D 5 5	
Flange 3½" BS.10 Table E/316L	D 5 6	
Flange 4" BS.10 Table E/ECTFE ⁴⁾	D 5 7	
Flange DN 40 10K, JIS/316L	D 5 8	
Flange DN 50 10K, JIS/316L	D 6 0	
Flange DN 80 10K, JIS/316L	D 6 1	
Flange DN 100 10K, JIS/316L	D 6 2	
Thread R1 PN 64, EN10226-1/316L ¹¹⁾	D 6 5	
Flange 2" 900 lb RF, ASME B16.5/316L	D 7 0	
Flange 4" 150 lb RF, ASME B16.5/Alloy C22 (2.4602) solid	D 7 1	
Adapter/Process temperature		
Without adapter/-50 ... +150 °C	1	
With adapter/-50 ... +200 °C ¹³⁾	2	
With adapter/-50 ... +250 °C	3	
With gas-tight leadthrough/-50 ... +150 °C	4	
With gas-tight leadthrough/-50 ... +250 °C	5	
Housing/Cable entry		
Aluminum IP66/IP67/M20 x 1.5	A	
Aluminum IP66/IP67/½" NPT	B	
316L stainless steel (electropolished) IP66/IP67/M20 x 1.5	C	
316L stainless steel (electropolished) IP66/IP67/½" NPT	D	
SITRANS LVL200 Vibrating point level switch, rigid extension design		
Plastic single chamber IP66/IP67/M20 x 1.5		E
Plastic single chamber IP66/IP67/½" NPT		F
Stainless steel chamber (precision casting) IP66/IP67/M20 x 1.5		G
Stainless steel chamber (precision casting) IP66/IP67/½" NPT		H
Aluminum IP66/IP67/M20 x 1.5 Special HARTING plug HAN 7D (bent) according to Tier One (ZB7555)		V
NOTE:		
When selecting a Rigid Extension option, extension coating must match the process connection coating and the material and surface roughness type.		
Rigid Extension 316L		
80 ... 500 mm		A 0
501 ... 1 000 mm		A 1
1 001 ... 1 500 mm		A 2
1 501 ... 2 000 mm		A 3
2 001 ... 2 500 mm		A 4
2 501 ... 3 000 mm		A 5
3 001 ... 3 500 mm		A 6
3 501 ... 4 000 mm		A 7
Rigid Extension ECTFE coated		
80 ... 500 mm		B 0
501 ... 1 000 mm		B 1
1 001 ... 1 500 mm		B 2
1 501 ... 2 000 mm		B 3
2 001 ... 2 500 mm		B 4
2 501 ... 3 000 mm		B 5
Rigid Extension PFA coated		
80 ... 500 mm		C 0
501 ... 1 000 mm		C 1
1 001 ... 1 500 mm		C 2
1 501 ... 2 000 mm		C 3
2 001 ... 2 500 mm		C 4
2 501 ... 3 000 mm		C 5
3 001 ... 3 500 mm		C 6
3 501 ... 4 000 mm		C 7
Rigid Extension 316L Ra ≤ 0.8 µm		
80 ... 500 mm		D 0
501 ... 1 000 mm		D 1
1 001 ... 1 500 mm		D 2
1 501 ... 2 000 mm		D 3
2 001 ... 2 500 mm		D 4
2 501 ... 3 000 mm		D 5
3 001 ... 3 500 mm		D 6
3 501 ... 4 000 mm		D 7
Rigid Extension 316L Ra ≤ 0.3 µm		
80 ... 500 mm		E 0
501 ... 1 000 mm		E 1
1 001 ... 1 500 mm		E 2
1 501 ... 2 000 mm		E 3
2 001 ... 2 500 mm		E 4
2 501 ... 3 000 mm		E 5
3 001 ... 3 500 mm		E 6
3 501 ... 4 000 mm		E 7
Rigid Extension Enamelled version		
80 ... 250 mm		F 0
251 ... 500 mm		F 1
501 ... 750 mm		F 2
751 ... 1 000 mm		F 3
1 001 ... 1 250 mm		F 4
1 251 ... 1 500 mm		F 5

Selection and ordering data	Article No.	Article No.
<p>SITRANS LVL200 Vibrating point level switch, rigid extension design</p> <p>Detects level and material in liquids and slurries. Top mount, with extension options to 6 m (19.69 ft). Ideal for hazardous applications.</p>	<p>7ML5747-</p> 	<p>Order code</p>
<p>Rigid Extension Alloy C22 (2.4602)</p> <p>80 ... 500 mm 501 ... 1 000 mm 1 001 ... 1 500 mm 1 501 ... 2 000 mm 2 001 ... 2 500 mm 2 501 ... 3 000 mm 3 001 ... 3 500 mm 3 501 ... 4 000 mm</p>	<p>G 0 G 1 G 2 G 3 G 4 G 5 G 6 G 7</p>	<p>Further designs</p> <p>Please add "-Z" to Article No. and specify Order code(s).</p> <p>Switching status indication with colors red-green¹²⁾</p> <p>Cleaning including Certificate (oil, grease, and silicone free)</p> <p>Enter the total insertion length in plain text description, max. 4 000 mm (157.48 inch)</p> <p>Identification label (measurement loop) stainless steel: max. 40 characters, add in plain text. To add more than one line, use a coma ", " for line break.</p> <p>Identification label (measurement loop) foil: max. 40 characters add in plain text. To add more than one line, use a coma ", " for line break.</p> <p>NACE0175 to 3.1 Material Certificate for material (EN 10204 NACE MR 0175)⁸⁾ Note: not available with Process connection and Rigid extension coatings PFA, ECTFE, and Enamel. NACE not available with Hygienic process connections.</p> <p>Material Inspection certificate 3.1 of EN 10204</p> <p>2.2-Factory certificate for material (EN 10204)⁸⁾</p> <p>Functional Safety (SIL 2). Device suitable for use in accordance with IEC 61508 and IEC 61511⁸⁾</p> <p>Dye penetration test, results confirmed via a 3.1 certificate/instrument (EN 10204)⁸⁾</p> <p>X-ray test + 3.1 certificate/instrument⁸⁾</p> <p>Positive material identification test + 3.1 certificate/instrument⁸⁾</p> <p>Roughness test + 3.1 certificate/instrument⁸⁾</p> <p>3.1-Inspection Certificate for instrument with test data (EN 10204)</p> <p>Quality and test plan</p> <p>Inspection certificate 3.1 (EN 10204) - device and pressure test⁸⁾</p> <p>Helium leak test + 3.1 certificate/instrument⁸⁾</p> <p>Ferrite measuring accuracy to DIN 32514-1 + 3.1 certificate/instrument⁸⁾</p> <p>Pressure test according to Norsok + 3.1 certificate/instrument⁸⁾</p>
<p>Rigid Extension Alloy 400 (2.4360)</p> <p>80 ... 500 mm 501 ... 1 000 mm 1 001 ... 1 500 mm 1 501 ... 2 000 mm 2 001 ... 2 500 mm 2 501 ... 3 000 mm</p>	<p>H 0 H 1 H 2 H 3 H 4 H 5</p>	<p>A21</p> <p>W01</p> <p>Y01</p> <p>Y17</p> <p>Y18</p> <p>D07</p> <p>C05</p> <p>C15</p> <p>C20</p> <p>C13</p> <p>C14</p> <p>C16</p> <p>C18</p> <p>C25</p> <p>C26</p> <p>C31</p> <p>C32</p> <p>C60</p> <p>C61</p>
		<p>Operating Instructions</p> <p>All literature is available to download for free, in a range of languages, at http://www.siemens.com/processinstrumentation/documentation</p>

Level measurement

Point level measurement

Vibrating switches

SITRANS LVL200

4

Selection and ordering data

Article No.

Spare Parts and Accessories

Electronics module SITRANS LVL200 Relay

7ML1830-1NC

Electronics module
SITRANS LVL200 Contactless

7ML1930-6AA

NAMUR spare electronics module

A5E35817107

SITRANS SCSC single channel
signal conditioner and remote test

7ML5760-.....-.....

SITRANS TCSC two channel
signal conditioner and remote test

7ML5761-.....-.....

Lock fitting, unpressurized, G1" A/316L

7ML1930-1DQ

Lock fitting, unpressurized, 1" NPT/316L

7ML1930-1DR

Lock fitting, unpressurized, G1 ... 1/2" A/316L

7ML1930-1DS

Lock fitting, unpressurized, 1 ... 1/2" NPT/316L

7ML1930-1DT

Lock fitting, -1 ... 16 bar, G1" A/316L

7ML1930-1DU

Lock fitting, -1 ... 16 bar, 1" NPT/316L

7ML1930-1DV

Lock fitting, -1 ... 16 bar, G1 1/2" A/316L

7ML1930-1DW

Lock fitting, -1 ... 16 bar, 1 1/2" NPT/316L

7ML1930-1DX

Lock fitting, -1 ... 64 bar, G1" A/316L

7ML1930-1EA

Lock fitting, -1 ... 64 bar, 1" NPT/316L

7ML1930-1EB

Lock fitting, -1 ... 64 bar, G1 1/2" A/316L

7ML1930-1EC

Lock fitting, -1 ... 64 bar, 1 1/2" NPT/316L

7ML1930-1ED

- 1) Available only with Adapter/Process temperature options 1, 3, 4, and 5.
- 2) Available only with Housing/Cable entry option B.
- 3) Available only with Adapter/Process temperature options 1, 2, and 4.
- 4) Not available with Adapter/Process temperature options 2, 3, and 5.
- 5) Not available with Adapter/Process temperature options 2, 4, and 5.
- 6) Available only with Electronics options 4 and 6.
- 7) Available only with rigid extension options less than 3 001 mm.
- 8) Listed Certificates are not available with all configurations please contact factory for more information.
- 9) Not available with Housing/Protection/Cable option V.
- 10) Not available with PFA, ECTFE, and enamelled coating options.
- 11) Available only with some 316L extensions.
- 12) Available only with relay electronic options and non-hazardous Approval options.
- 13) Available only with Enamelled Process connection/Material options.
- 14) Not available with Approval options C, E, G, H, L, N, V, and W.
- 15) Not available with Approval options C, E, G, H, N, and V.
- 16) Only available with Aluminum Housing/Protection/Cable options and certain glands.
- 17) Not available with Stainless Steel Electropolish Housing/Protection/Cable options and certain glands.
- 18) Not available with Plastic or Stainless Steel Electropolish Housing/Protection/Cable options and certain glands.
- 19) Not available with Housing/Protection/Cable options D and V.
- 20) Not available with Housing/Protection/Cable options A, E, G, and V.
- 21) Not available with some Housing/Protection/Cable gland options.
- 22) Not available with Housing/Protection/Cable options A, C, and V.
- 23) Not available with Plastic Housing/Protection/Cable options.
- 24) Available only with Electronic option 4.
- 25) Not available with FM approval options.

SITRANS LVL200 Vibrating point level switch, high temperature and pressure design

Detects level and material in liquids and slurries in extreme environments. Extension options to 3 m (9.84 ft).

Click on the Article No. for the online configuration in the PIA Life Cycle Portal.

Version/Material

Compact version/Inconel 718 (2.4668)¹⁾²⁾ **1**
 With tube extension/316L and Inconel 718 (2.4668)¹⁾³⁾ **2**
 With tube extension/Alloy C22 (2.4602) and Inconel 718 (2.4668)⁴⁾ **3**

Approvals

CE
 Ship approval
 Overfill protection WHG⁷⁾
 ATEX II ½G, 2G Ex d IIC T6⁶⁾⁹⁾
 ATEX II 1G, ½G, 2G Ex ia IIC T6⁵⁾⁹⁾
 ATEX II 1G, ½G, 2G Ex ia IIC T6 + ship approval⁵⁾⁹⁾¹⁰⁾
 ATEX II 1G, ½G, 2G Ex ia IIC T6 + Overfill protection (WHG)⁶⁾⁷⁾⁹⁾ **H**
 ATEX II ½G, 2G Ex d IIC T6 + Overfill protection (WHG)⁶⁾⁷⁾⁹⁾ **J**
 FM (NI) Class I, Div. 2, Groups A, B, C, D T6 ... T1⁹⁾¹¹⁾ **N**
 FM (NI) Class I, Div. 2, Groups A, B, C, D T6 ... T1 + Ship approval⁶⁾⁹⁾ **P**
 FM (IS) Class I, Div. 1, Groups A, B, C, D Zone 0, 0/1, 1, AEx ia IIC T6 ... T1 Ga, Ga/Gb, Gb⁵⁾⁹⁾¹²⁾ **R**
 FM (XP) Class I, Div. 1, Groups A, B, C, D T6 ... T1, Zone 0/1, 1, AEx d IIC T6 ... T1 Ga/Gb, Gb⁶⁾⁹⁾ **S**
 FM (XP) Class I, Div. 1, Groups A, B, C, D T6 ... T1, Zone 0/1, 1, AEx d IIC T6 ... T1 Ga/Gb, Gb + Ship approval⁶⁾⁹⁾ **S**
 IEC Ex d IIC T6⁶⁾⁹⁾ **E**
 IEC Ex ia IIC T6 + Ship approval⁵⁾⁹⁾¹⁰⁾ **U**
 IEC Ex ia IIC T6⁵⁾⁹⁾ **T**
 cCSA_{US} (NI) Class I, Div. 2, Groups A, B, C, D, (DIP) Class II, III, Div. 1, Groups E, F, G⁶⁾⁹⁾ **V**
 cCSA_{US} (NI) Class I, Div. 2, Groups A, B, C, D, (DIP) Class II, III, Div. 1, Groups E, F, G + Ship approval⁶⁾⁹⁾ **W**
 cCSA_{US} (IS) Class I, II, III, Div. 1, Groups A, B, C, D, E, F, G⁵⁾⁹⁾¹²⁾ **X**
 cCSA_{US} (IS) Class I, II, III, Div. 1, Groups A, B, C, D, E, F, G + Ship approval⁵⁾⁹⁾¹³⁾ **Y**
 cCSA_{US} (XP) Class I, II, III, Div. 1, Groups A, B, C, D, E, F, G⁶⁾⁹⁾ **K**
 cCSA_{US} (XP) Class I, II, III, Div. 1, Groups A, B, C, D, E, F, G + Ship approval⁶⁾⁹⁾ **L**
Z
 GOST-R/EAC Ga/Gb Ex ia IIC T6 ... T1 X, 0Ex ia IIC T6 ... T1 Ga, 1Ex ia IIC T6 ... T1 Gb X⁵⁾⁹⁾
Z
 GOST-R/EAC 1Ex db IIC T6 ... T1 Gb, Ga/Gb Ex db IIC T6 ... T1⁶⁾⁹⁾ **J 1 A**
J 1 B

Article No.

7ML5748-

Selection and ordering data	Article No.	Article No.	
<p>SITRANS LVL200 Vibrating point level switch, high temperature and pressure design</p> <p>Detects level and material in liquids and slurries in extreme environments. Extension options to 3 m (9.84 ft).</p> <p>Process connection</p> <p>Thread G1 PN 100, DIN 3852-A/316L Thread G1 PN 160, DIN 3852-A/Inconel 718 (2.4668) Thread 1" NPT PN 100, ASME B1.20.1/316L Thread 1" NPT PN 160, ASME B1.20.1/Inconel 718 (2.4668) Flange DN 50 PN 40 Form C, DIN 2501/316/316 Flange DN 50 PN 40 Form C, DIN 2501/316/316L, with Alloy C22 (2.4602) coating Flange DN 50 PN 40 Form N, DIN 2501/316/316L Flange DN 50 PN 40 Form V13, DIN 2501/316/316L Flange DN 50 PN 40 Form V13, DIN 2501/Alloy C22 (2.4602) solid Flange DN 50 PN 40 Form V13, DIN 2501/316/316L, with Alloy C22 (2.4602) coating Flange DN 50 PN 64 Form E, DIN 2501/316/316L Flange DN 50 PN 100 Form C, DIN 2501/316/316L Flange DN 50 PN 100 Form F, DIN 2501/316/316L Flange DN 50 PN 100 Form V13, DIN 2501/316/316L Flange DN 50 PN 160 Form C, DIN 2501/316/316L Flange DN 50 PN 160 Form F, DIN 2501/316/316L Flange DN 65 PN 16 Form C, DIN 2501/316/316L Flange DN 65 PN 40 Form C, DIN 2501/316/316L Flange DN 65 PN 100 Form C, DIN 2501/316/316L Flange DN 80 PN 40 Form C, DIN 2501/316/316L Flange DN 80 PN 100 Form C, DIN 2501/316/316L Flange DN 80 PN 160 Form F, DIN 2501/316/316L Flange DN 80 PN 160 Form L, DIN 2501/316/316L Flange DN 80 PN 250 Form L, DIN 2501/316/316L Flange DN 80 PN 250 Form L, DIN 2501/Alloy C22 (2.4602) solid Flange DN 100 PN 16 Form C, DIN 2501/316/316L Flange DN 100 PN 40 Form C, DIN 2501/316/316L Flange DN 100 PN 100 Form E, DIN 2501/316/316L Flange DN 100 PN 160 Form L, DIN 2501/316/316L Flange DN 125 PN 16 Form C, DIN 2501/316/316L Flange DN 125 PN 40 Form C, DIN 2501/316/316L Flange DN 150 PN 16 Form C, DIN 2501/316/316L Flange DN 150 PN 16 Form C, DIN 2501/316/316L, with Alloy C22 (2.4602) coating Flange DN 150 PN 40 Form C, DIN 2501/316/316L Flange DN 150 PN 160 Form L, DIN 2501/316/316L</p>	<p>7ML5748-</p> <p>A 0 A 1 A 2 A 3 A 4 A 5 A 6 A 7 A 8 B 0 B 1 B 2 B 3 B 4 B 5 B 6 B 7 B 8 C 0 C 1 C 2 C 3 C 4 C 5 C 6 C 7 C 8 D 0 D 1 D 2 D 3 D 4 D 5 D 6 D 7</p>	<p>SITRANS LVL200 Vibrating point level switch, high temperature and pressure design</p> <p>Detects level and material in liquids and slurries in extreme environments. Extension options to 3 m (9.84 ft).</p> <p>Flange DN 200 PN 16 Form C, DIN 2501/316/316L Flange DN 200 PN 64 Form C, DIN 2501/316/316L Flange DN 250 PN 16 Form C, DIN 2501/316/316L Flange DN 250 PN 64 Form C, DIN 2501/316/316L Flange DN 50 PN 40 Form B1, EN 1092-1/1.4435 Flange DN 50 PN 40 Form B1, EN 1092-1/316/316L Flange DN 50 PN 40 Form B1, EN 1092-1/316/316L, with Alloy C22 (2.4602) coating Flange DN 50 PN 40 Form B2, EN 1092-1/316/316L Flange DN 50 PN 40 Form C, EN 1092-1/316/316L Flange DN 50 PN 40 Form D, EN 1092-1/316/316L</p>	<p>7ML5748-</p> <p>D 8 E 0 E 1 E 2 E 3 E 4 E 5 E 6 E 7 E 8</p>

Level measurement
Point level measurement
Vibrating switches

SITRANS LVL200

4

Selection and ordering data

Article No.

Article No.

SITRANS LVL200 Vibrating point level switch, high temperature and pressure design

7ML5748-

Detects level and material in liquids and slurries in extreme environments. Extension options to 3 m (9.84 ft).

- Flange DN 50 PN 40 Form E, EN 1092-1/316/316L
- Flange DN 50 PN 63 Form B2, EN 1092-1/316/316L
- Flange DN 50 PN 63 Form B2, EN 1092-1/316/316L, with Alloy C22 (2.4602) coating
- Flange DN 50 PN 63 Form C, EN 1092-1/316/316L
- Flange DN 50 PN 63 Form D, EN 1092-1/316/316L
- Flange DN 50 PN 100 Form B1, EN 1092-01/316/316L
- Flange DN 50 PN 100 Form C, EN 1092-1/316/316L
- Flange DN 50 PN 160 Form B1, EN 1092-1/316/316L
- Flange DN 50 PN 160 Form B2, EN 1092-1/316/316L
- Flange DN 50 PN 250 Form B1, EN 1092-1/316/316L
- Flange DN 50 PN 250 Form B2, EN 1092-1/316/316L
- Flange DN 65 PN 40 Form B1, EN 1092-1/316/316L
- Flange DN 65 PN 63 Form C, EN 1092-1/316/316L
- Flange DN 80 PN 40 Form B1, EN 1092-1/316/316L
- Flange DN 80 PN 40 Form B2, EN 1092-1/316/316L
- Flange DN 80 PN 40 Form C, EN 1092-1/316/316L
- Flange DN 80 PN 40 Form D, EN 1092-1/316/316L
- Flange DN 80 PN 63 Form B2, EN 1092-1/316/316L
- Flange DN 80 PN 160 Form B2, EN 1092-1/316/316L
- Flange DN 80 PN 250 Form B1, EN 1092-1/316/316L
- Flange DN 100 PN 16 Form D, EN 1092-1/316/316L
- Flange DN 100 PN 40 Form B1, EN 1092-1/316/316L
- Flange DN 100 PN 40 Form B2, EN 1092-1/316/316L
- Flange DN 100 PN 40 Form C, EN 1092-1/316/316L
- Flange DN 100 PN 40 Form D, EN 1092-1/316/316L
- Flange DN 100 PN 160 Form B2, EN 1092-1/316/316L
- Flange DN 125 PN 63 Form C, EN 1092-1/316/316L
- Flange DN 125 PN 160 Form B2, EN 1092-1/316/316L
- Flange DN 150 PN 40 Form B1, EN 1092-1/316/316L
- Flange DN 150 PN 40 Form C, EN 1092-1/316/316L
- Flange DN 150 PN 40 Form D, EN 1092-1/316/316L
- Flange DN 40 PN 100, GOST 12815-80.7/316/316L
- Flange DN 50 PN 100, GOST 12815-80.7/316/316L
- Flange DN 80 PN 100, GOST 12815-80.7/316/316L
- Flange DN 100 PN 100, GOST 12815-80.7/316/316L

- F 0**
- F 1**
- F 2**
- F 3**
- F 4**
- F 5**
- F 6**
- F 7**
- F 8**
- G 0**
- G 1**
- G 2**
- G 3**
- G 4**
- G 5**
- G 6**
- G 7**
- G 8**
- H 0**
- H 1**
- H 2**
- H 3**
- H 4**
- H 5**
- H 6**
- H 7**
- H 8**
- K 0**
- K 1**
- K 2**
- K 3**
- K 4**
- K 5**
- K 6**
- K 7**

SITRANS LVL200 Vibrating point level switch, high temperature and pressure design

7ML5748-

Detects level and material in liquids and slurries in extreme environments. Extension options to 3 m (9.84 ft).

- Flange 1½" 150 lb RJF, ASME B16.5/316/316L
- Flange 1½" 300 lb RJF, ASME B16.5/316/316L
- Flange 1½" 1 500 lb RJF, ASME B16.5/316/316L
- Flange 2" 150 lb RF, ASME B16.5/316/316L
- Flange 2" 150 lb RF, ASME B16.5/Alloy C22 (2.4602) solid
- Flange 2" 300 lb RF, ASME B16.5/316/316L
- Flange 2" 300 lb RF, ASME B16.5/Alloy C22 (2.4602) solid
- Flange 2" 300 lb RF, ASME B16.5/316/316L, with Alloy C22 (2.4602) coating
- Flange 2" 300 lb ST (small tongue), ASME B16.5/316/316L
- Flange 2" 300 lb RJF, ASME B16.5/316/316L
- Flange 2" 300 lb LM (large male), ASME B16.5/316/316L
- Flange 2" 300 lb SG, ASME B16.5/316/316L
- Flange 2" 300 lb LG, ASME B16.5/316/316L
- Flange 2" 600 lb RF, ASME B16.5/316/316L
- Flange 2" 600 lb RF, ASME B16.5/316/316L, with Alloy C22 (2.4602) coating
- Flange 2" 600 lb RJF, ASME B16.5/316/316L
- Flange 2" 900 lb RF, ASME B16.5/316/316L
- Flange 2" 900 lb RJF, ASME B16.5/316/316L
- Flange 2" 1 500 lb RF, ASME B16.5/316/316L
- Flange 2" 1 500 lb RJF, ASME B16.5/316/316L
- Flange 2" 1 500 lb LT, ASME B16.5/Alloy C22 (2.4602) solid
- Flange 2" 1 500 lb LM, ASME B16.5/316/316L
- Flange 2" 2 500 lb RJF, ASME B16.5/316/316L
- Flange 2½" 150 lb RF, ASME B16.5/316/316L
- Flange 2½" 300 lb RF, ASME B16.5/316/316L
- Flange 2½" 600 lb RF, ASME B16.5/316/316L
- Flange 2½" 900 lb RF, ASME B16.5/316/316L
- Flange 2½" 2 500 lb RJF, ASME B16.5/316/316L
- Flange 3" 150 lb RF, ASME B16.5/316/316L
- Flange 3" 150 lb RF, ASME B16.5/Alloy C22 (2.4602) solid
- Flange 3" 300 lb RF, ASME B16.5/316/316L
- Flange 3" 300 lb RJF, ASME B16.5/316/316L
- Flange 3" 300 lb LT, ASME B16.5/316/316L
- Flange 3" 600 lb RF, ASME B16.5/316/316L
- Flange 3" 600 lb RF, ASME B16.5/Alloy C22 (2.4602) solid
- Flange 3" 600 lb RF, ASME B16.5/316/316L, with Alloy C22 (2.4602) coating
- Flange 3" 600 lb RJF, ASME B16.5/316/316L
- Flange 3" 900 lb RF, ASME B16.5/316/316L
- Flange 3" 900 lb RJF, ASME B16.5/316/316L
- Flange 3" 1 500 lb RF, ASME B16.5/316/316L
- Flange 3" 1 500 lb RJF, ASME B16.5/316/316L
- Flange 3" 2 500 lb RF, ASME B16.5/316/316L
- Flange 3" 2 500 lb RJF, ASME B16.5/316/316L
- Flange 4" 150 lb RF, ASME B16.5/316/316L
- Flange 4" 150 lb RF, ASME B16.5/Alloy C22 (2.4602) solid
- Flange 4" 150 lb RJF, ASME B16.5/316/316L
- Flange 4" 300 lb RF, ASME B16.5/316/316L
- Flange 4" 300 lb RF, ASME B16.5/Alloy C22 (2.4602) solid

- K 8**
- L 1**
- L 2**
- L 3**
- L 4**
- L 5**
- L 6**
- L 7**
- L 8**
- M 1**
- M 2**
- M 3**
- M 4**
- M 5**
- M 6**
- M 7**
- M 8**
- N 1**
- N 2**
- N 3**
- N 4**
- N 5**
- N 6**
- N 7**
- N 8**
- P 1**
- P 2**
- P 3**
- P 4**
- P 5**
- P 6**
- P 7**
- P 8**
- R 1**
- R 2**
- R 3**
- R 4**
- R 5**
- R 6**
- R 7**
- R 8**
- S 1**
- S 2**
- S 3**
- S 4**
- S 5**
- S 6**
- S 7**

Level measurement
Point level measurement
Vibrating switches

SITRANS LVL200

Selection and ordering data	Article No.	Article No.
<p>SITRANS LVL200 Vibrating point level switch, high temperature and pressure design</p> <p>Detects level and material in liquids and slurries in extreme environments. Extension options to 3 m (9.84 ft).</p> <p>Flange 4" 300 lb LT, ASME B16.5/316/316L S 8</p> <p>Flange 4" 600 lb RF, ASME B16.5/316/316L T 1</p> <p>Flange 4" 600 lb RF, ASME B16.5/Alloy C22 (2.4602) solid T 2</p> <p>Flange 4" 600 lb RJF, ASME B16.5/316/316L T 3</p> <p>Flange 4" 900 lb RF, ASME B16.5/316/316L T 4</p> <p>Flange 4" 900 lb RJF, ASME B16.5/316/316L T 5</p> <p>Flange 4" 900 lb LT, ASME B16.5/316/316L T 6</p> <p>Flange 4" 1 500 lb RF, ASME B16.5/316/316L T 7</p> <p>Flange 4" 1 500 lb RJF, ASME B16.5/316/316L T 8</p> <p>Flange 4" 1 500 lb LT, ASME B16.5/316/316L U 1</p> <p>Flange 5" 150 lb RF, ASME B16.5/316/316L U 2</p> <p>Flange 5" 300 lb RF, ASME B16.5/316/316L U 3</p> <p>Flange 5" 600 lb RJF, ASME B16.5/316/316L U 4</p> <p>Flange 6" 150 lb RF, ASME B16.5/316/316L U 5</p> <p>Flange 6" 300 lb RF, ASME B16.5/316/316L U 6</p> <p>Flange 6" 300 lb LT, ASME B16.5/316/316L U 7</p> <p>Flange DN 50 30K RF, JIS/316/316L U 8</p> <p>Flange DN 50 40K RF, JIS/316/316L V 1</p> <p>Flange DN 65 40 K RF, JIS/316/316L V 2</p> <p>Mobrey flange PN 16 Form A/316/316L V 3</p> <p>Mobrey flange PN 16 Form E/316/316L V 4</p> <p>Thread R1 PN 160, EN 10226-1/Inconel 718 (2.4668)¹⁴ W 1</p> <p>Thread R1 PN 100, EN 10226-1/316L¹⁵ W 2</p> <p>Gas-tight seal/Process temperature</p> <p>With gas-tight seal/-196 ... +450 °C (-321 ... +842 °F) 1</p> <p>Without/-196 ... +450 °C (-321 ... +842 °F) 2</p> <p>Electronics</p> <p>Relay (2 x SPDT) 1</p> <p>20 ... 72 V DC/20 ... 253 V AC (5A)</p> <p>Transistor (NPN/PNP) 9.6 ... 55 V DC 2</p> <p>Two-wire (8/16 mA) 9.6 ... 35 V DC 3</p> <p>Relay (2 x SPDT) 4</p> <p>20 ... 72 V DC/20 ... 253 V AC (5A), with SIL qualification</p> <p>Transistor (NPN/PNP) 9.6 ... 55 V DC, with SIL qualification 5</p> <p>Two-wire (8/16 mA) 9.6 ... 35 V DC, with SIL qualification 6</p>	7ML5748-	<p>SITRANS LVL200 Vibrating point level switch, high temperature and pressure design</p> <p>Detects level and material in liquids and slurries in extreme environments. Extension options to 3 m (9.84 ft).</p> <p>Housing/Cable entry</p> <p>Plastic single chamber/IP66/IP67/M20 x 1.5 gland PA black (ø5 ... 9 mm) A</p> <p>Plastic single chamber/IP66/IP67/½" NPT gland PA black (ø5 ... 9 mm) B</p> <p>Aluminum IP66/IP67/M20 x 1.5 gland PA black (ø5 ... 9 mm) C</p> <p>Aluminum IP66/IP67/½" NPT gland PA black (ø5 ... 9 mm) D</p> <p>Stainless steel single chamber (precision casting)/ IP66/IP67/M20 x 1.5 gland PA black (ø5 ... 9 mm) E</p> <p>Stainless steel single chamber (precision casting)/ IP66/IP67/½" NPT gland PA black (ø5 ... 9 mm) F</p> <p>Stainless steel single chamber (electropolished)/ IP66/IP67/M20 x 1.5 gland PA black (ø5 ... 9 mm) G</p> <p>Stainless steel single chamber (electropolished)/ IP66/IP67/½" NPT gland PA black (ø5 ... 9 mm) H</p> <p>Aluminium IP66/IP67/M20 x 1.5 blind plug J</p> <p>Aluminium IP66/IP67/½" NPT blind plug K</p> <p>Stainless steel single chamber (precision casting)/IP66/IP67/M20 x 1.5 blind plug L</p> <p>Stainless steel single chamber (precision casting)/ IP66/IP67/½" NPT blind plug M</p> <p>Stainless steel single chamber (electropolished)/ IP66/IP67/M20 x 1.5 blind plug N</p> <p>Stainless steel single chamber (electropolished)/ IP66/IP67/½" NPT blind plug P</p> <p>Compact</p> <p>74 mm compact version C 1</p> <p>Rigid Extension 316L</p> <p>200 ... 500 mm A 0</p> <p>501 ... 1 000 mm A 1</p> <p>1 001 ... 1 500 mm A 2</p> <p>1 501 ... 2 000 mm A 3</p> <p>2 001 ... 2 500 mm A 4</p> <p>2 501 ... 3 000 mm A 5</p> <p>Rigid Extension Alloy C22</p> <p>200 ... 500 mm B 0</p> <p>501 ... 1 000 mm B 1</p> <p>1 001 ... 1 500 mm B 2</p> <p>1 501 ... 2 000 mm B 3</p> <p>2 001 ... 2 500 mm B 4</p> <p>2 501 ... 3 000 mm B 5</p> <p>75 mm compact version C 1</p>

Level measurement
Point level measurement
Vibrating switches

SITRANS LVL200

4

Selection and ordering data	Order code	Article No.
Further designs		
Please add "-Z" to Article No. and specify Order code(s).		
Cleaning including Certificate(oil, grease, and silicone free).	W01	
Enter the total insertion length in plain text description.	Y01	
Identification label (measurement loop) stainless steel.	Y17	
Identification Label (measurement loop) foil.	Y18	
Output switching delay (1 ... 60 s)/default is 1 s	Y36	
NACE0175 to 3.1 Material Certificate for material (EN 10204 NACE MR 0175) Note: not available with some Process connection options.	D07	
Material Inspection 3.1-Inspection certificate for material (EN 10204)	C05	
Acceptance test Certificate 2.2 for material (EN 10204)	C15	
Dye penetration test, results confirmed via a 3.1 certificate/instrument (EN 10204)	C13	
3.1-Inspection certificate for instrument with test data (EN 10204)	C25	
Quality and test plan	C26	
Inspection certificate 3.1 (EN 10204) - device and pressure test	C31	
Helium leak test + 3.1 certificate/instrument	C32	
Spare Parts and Accessories		
SITRANS SCSC single channel signal conditioner and remote test	Article No. 7ML5760-.....-.....	
SITRANS TCSC two channel signal conditioner and remote test	7ML5761-.....-.....	
Operating Instructions		
All literature is available to download for free, in a range of languages, at http://www.siemens.com/processinstrumentation/documentation		
<p>SITRANS SCSC, single channel, signal conditioner ↗ 7ML5760-</p> <p>Provides power and relay output for one LVL200 vibrating switch, 8/16 mA electronics design. Provides remote test of any LVL200 device.</p> <p>↗ Click on the Article No. for the online configuration in the PIA Life Cycle Portal.</p> <p>Approvals For Ex-free area ATEX II (1) G/D [Ex ia Ga/Da] IIC/IIIC, I (M1) [Ex ia Ma] I ATEX II (1) G/D (Ex ia Ga/Da) IIC/IIIC, I (M1) (Ex ia Ma) I + WHG IEC [Ex ia Ga] IIC, [Ex ia Da] IIIC, [Ex ia Ma] I IEC (Ex ia Ga) IIC, (Ex ia Da) IIIC, (Ex ia Ma) I + WHG Ex-free area (incl. EAC approval)</p> <p>SIL qualification Without With</p> <p>Version Single-channel (8/16 mA) for level detection Single channel (8/16 mA), level detection with fail safe relay</p> <p>Housing/cable entry Plastic/IP20</p> <p>Terminal block connection Detachable 2.5 mm²/ Ex sensor: 2 x blue; output and operating voltage: 2 x black Detachable 2.5 mm²/ sensor: 2 x black; output and operating voltage: 2 x black</p> <p>Language English German</p> <p>Operating Instructions All literature is available to download for free, in a range of languages, at http://www.siemens.com/processinstrumentation/documentation</p>		

- 1) Not available with Process Connection options A0 and A2.
- 2) Available only with Rigid extension option C1.
- 3) Available only with 316L Process Connection and Rigid extension options.
- 4) Available only with Alloy C22 Rigid extension options.
- 5) Available only with Electronic options 3 and 6.
- 6) Available only with Housing/Cable entry options J, K, L, M.
- 7) Available only with Electronic option 6.
- 8) Available only with Electronic options 1, 2, and 4.
- 9) Available only with Gas tight seal/Process temperature option 1.
- 10) Not available with Housing/Cable entry options G, H, N, P.
- 11) Available only with Housing/Cable entry options J, K, L, M, N, P.
- 12) Not available with Housing/Cable entry options A and B.
- 13) Not available with Housing/Cable entry options A, B, G, H, N, P.
- 14) Available only with Version/material option 1.
- 15) Available only with Version/material option 2.

Selection and ordering data

Article No.

SITRANS TCSC, dual channel, signal conditioner

Provides power and relay output for two LVL200 vibrating switch, 8/16 mA electronics design. Provides remote test of any LVL200 device.

Click on the Article No. for the online configuration in the PIA Life Cycle Portal.

Approvals

- For Ex-free area¹⁾
- ATEX II (1) G/D [Ex ia Ga/Da] IIC/IIIC, I (M1) [Ex ia Ma]²⁾
- ATEX II (1) G/D (Ex ia Ga/Da) IIC/IIIC, I (M1) (Ex ia Ma) I + WHG
- IEC [Ex ia Ga] IIC, [Ex ia Da] IIIC, [Ex ia Ma]²⁾
- IEC (Ex ia Ga) IIC, (Ex ia Da) IIIC, (Ex ia Ma) I + WHG
- Ex-free area (incl. EAC approval)

SIL qualification

- Without
- With

	7ML5761-
	A 1 -
1 A	
1 D	
1 E	
1 H	
1 J	
2 A	
	1
	2

SITRANS TCSC, dual channel, signal conditioner

Provides power and relay output for two LVL200 vibrating switch, 8/16 mA electronics design. Provides remote test of any LVL200 device.

Version

Double-channel (8/16 mA) for level detection

Housing/cable entry

Plastic/IP20

Terminal block connection

Detachable 2.5 mm²/ Ex sensor: 2 x blue; output and operating voltage: 2 x black
Detachable 2.5 mm²/ sensor: 2 x black; output and operating voltage: 2 x black

Language

- English
- German

Operating Instructions

All literature is available to download for free, in a range of languages, at

<http://www.siemens.com/processinstrumentation/documentation>

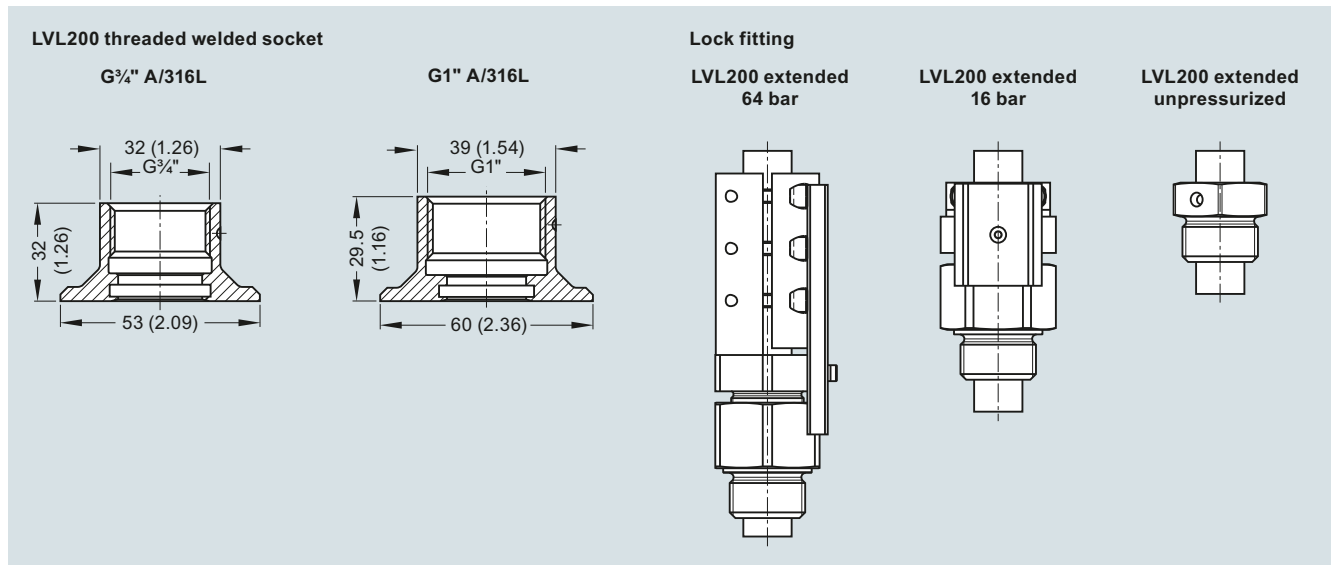
¹⁾ Available only with terminal block connection option B.

²⁾ Available only with terminal block connection option A.

Article No.

	7ML5761-
	A 1 -
	1
	A
	A
	B
	0
	1

Options



SITRANS LVL200 welded socket and lock fitting, dimensions in mm (inch)

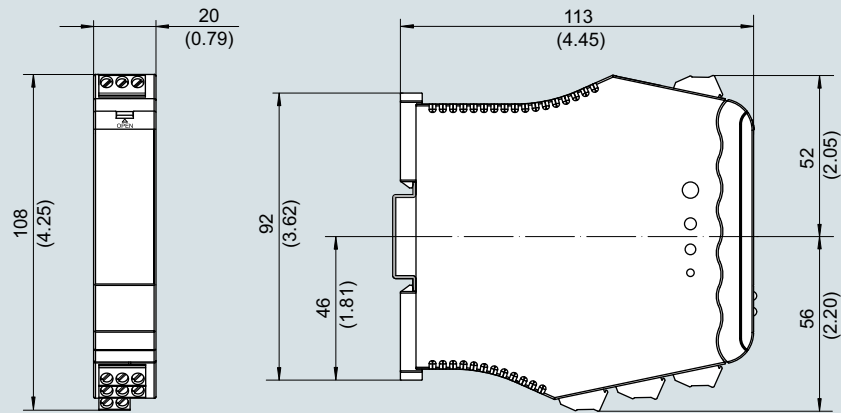
Level measurement

Point level measurement
Vibrating switches

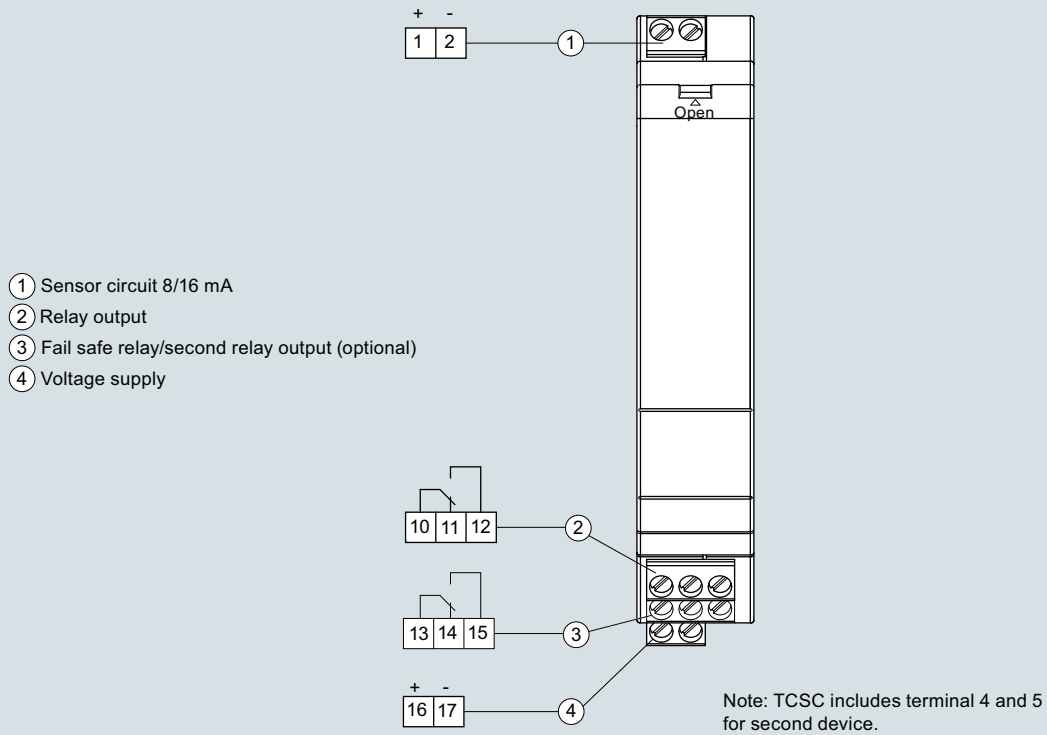
SITRANS LVL200

4

SITRANS SCSC and TCSC LVL test conditioner

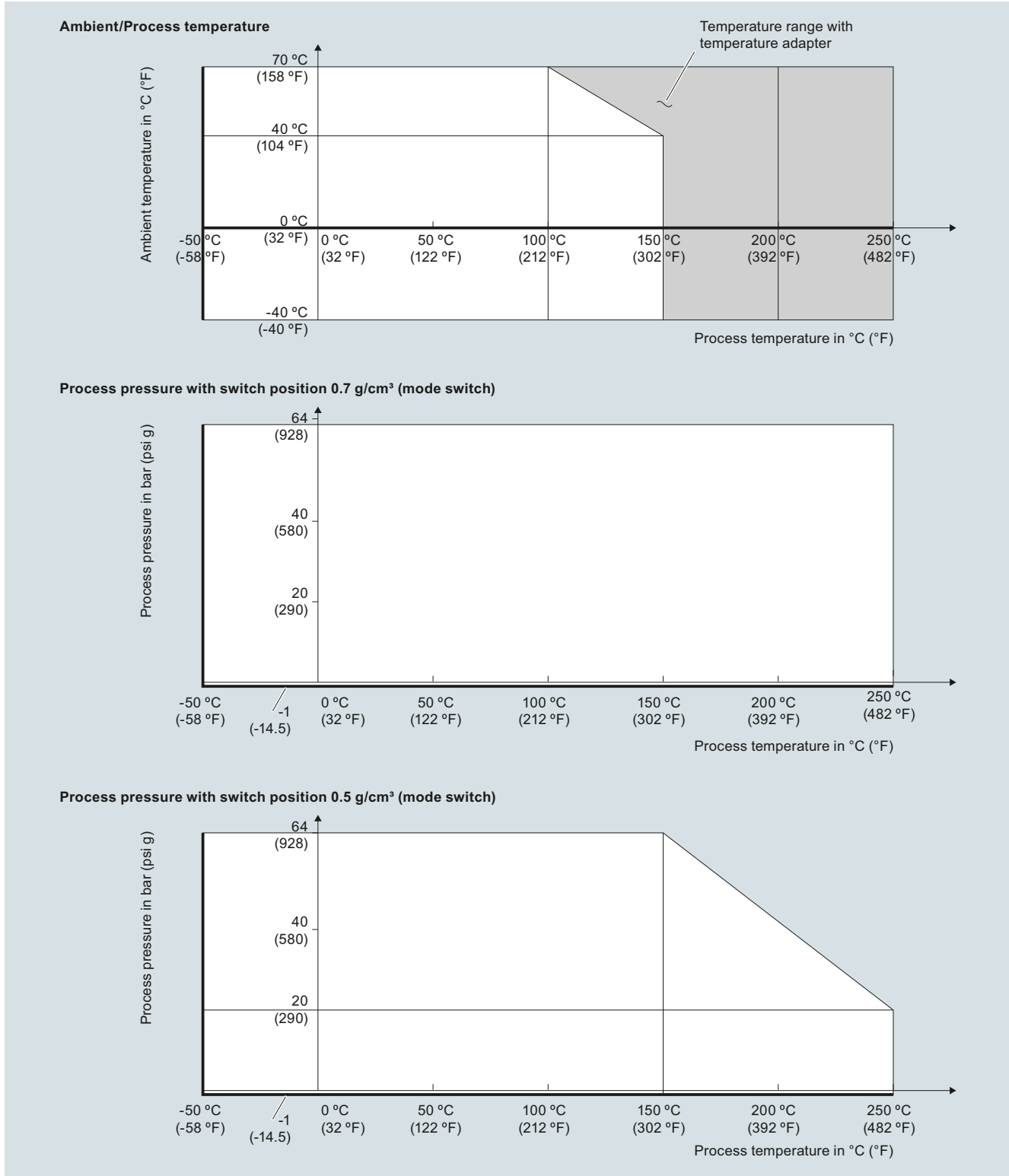


SITRANS SCSC and SITRANS TCSC LVL Test Conditioners, dimensions in mm (inch)



SITRANS SCSC and SITRANS TCSC LVL Test Conditioner connections

Characteristic curves

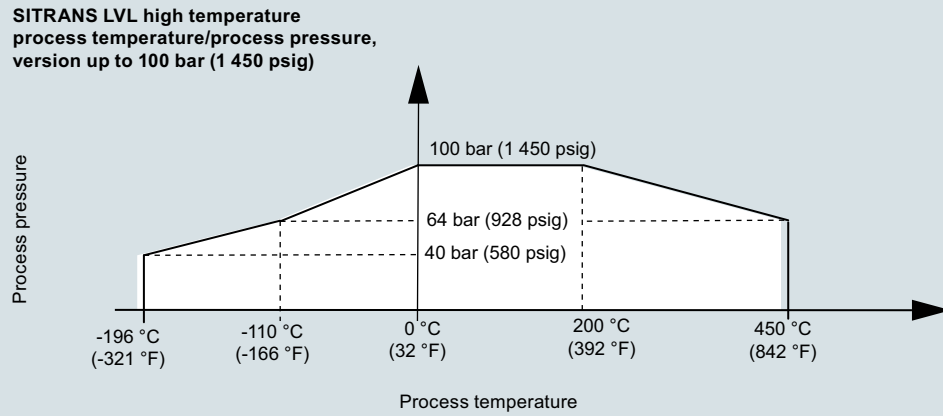


SITRANS LVL200 process pressure/process temperature/ambient temperature derating curves

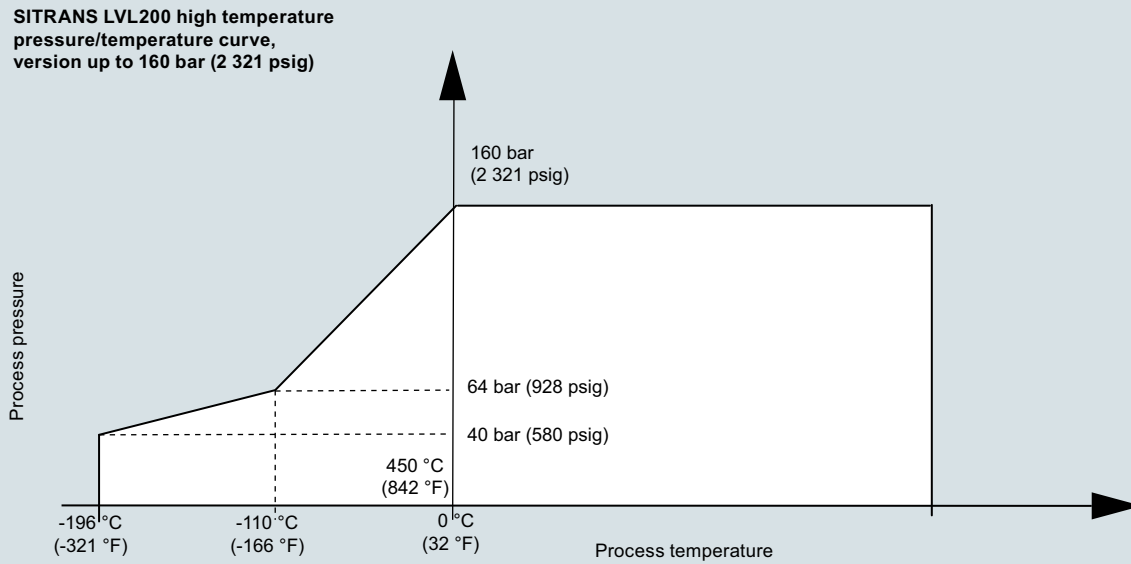
Level measurement

Point level measurement
Vibrating switches

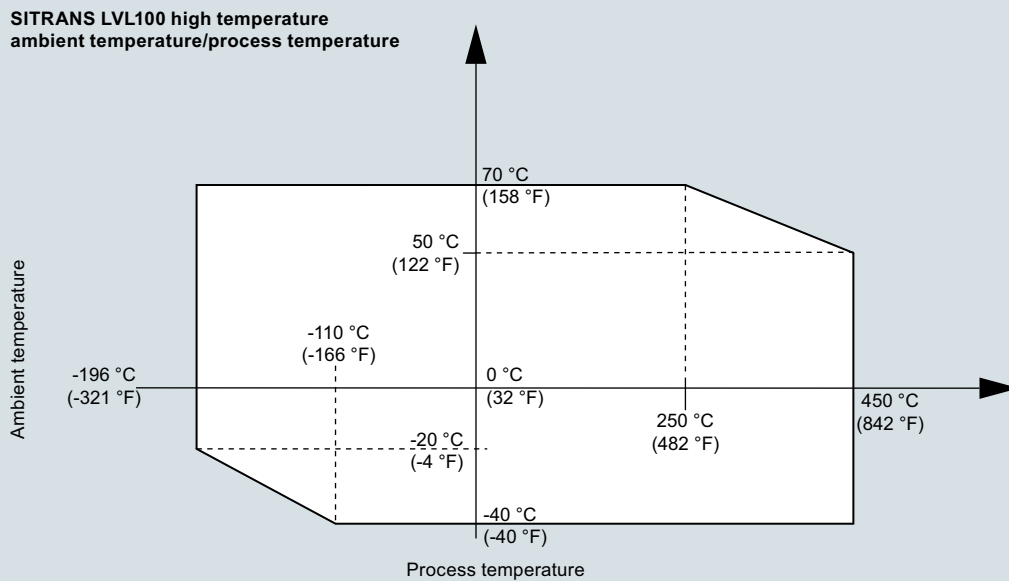
SITRANS LVL200



SITRANS LVL200 high temperature process temperature/process pressure curve, version up to 100 bar (1 450 psig)

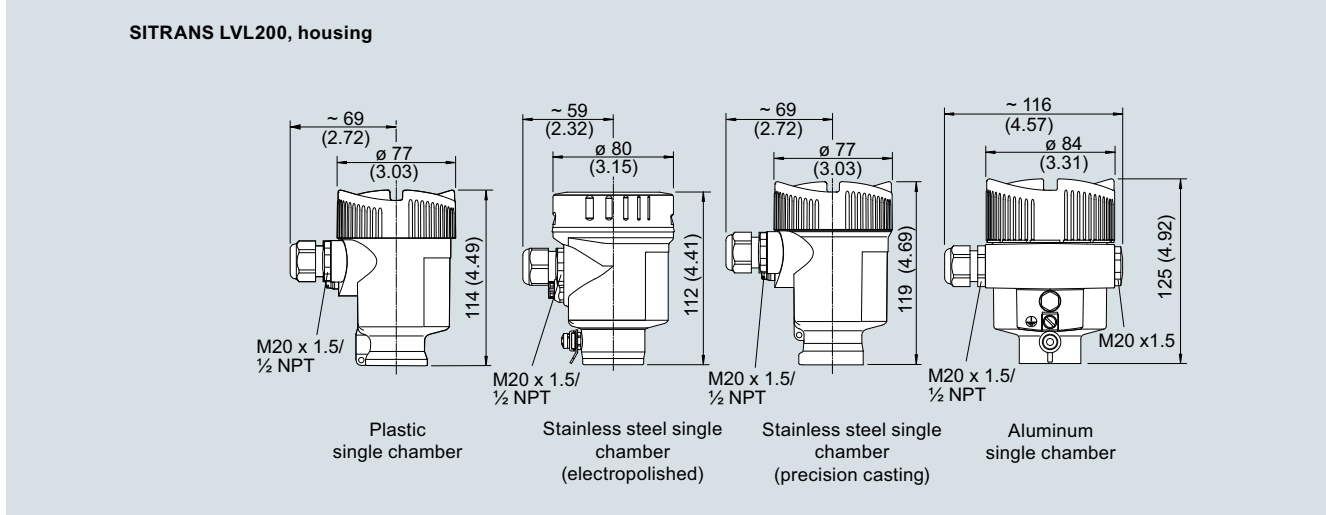


SITRANS LVL200 high temperature pressure/temperature curve, version up to 160 bar (2 321 psig)

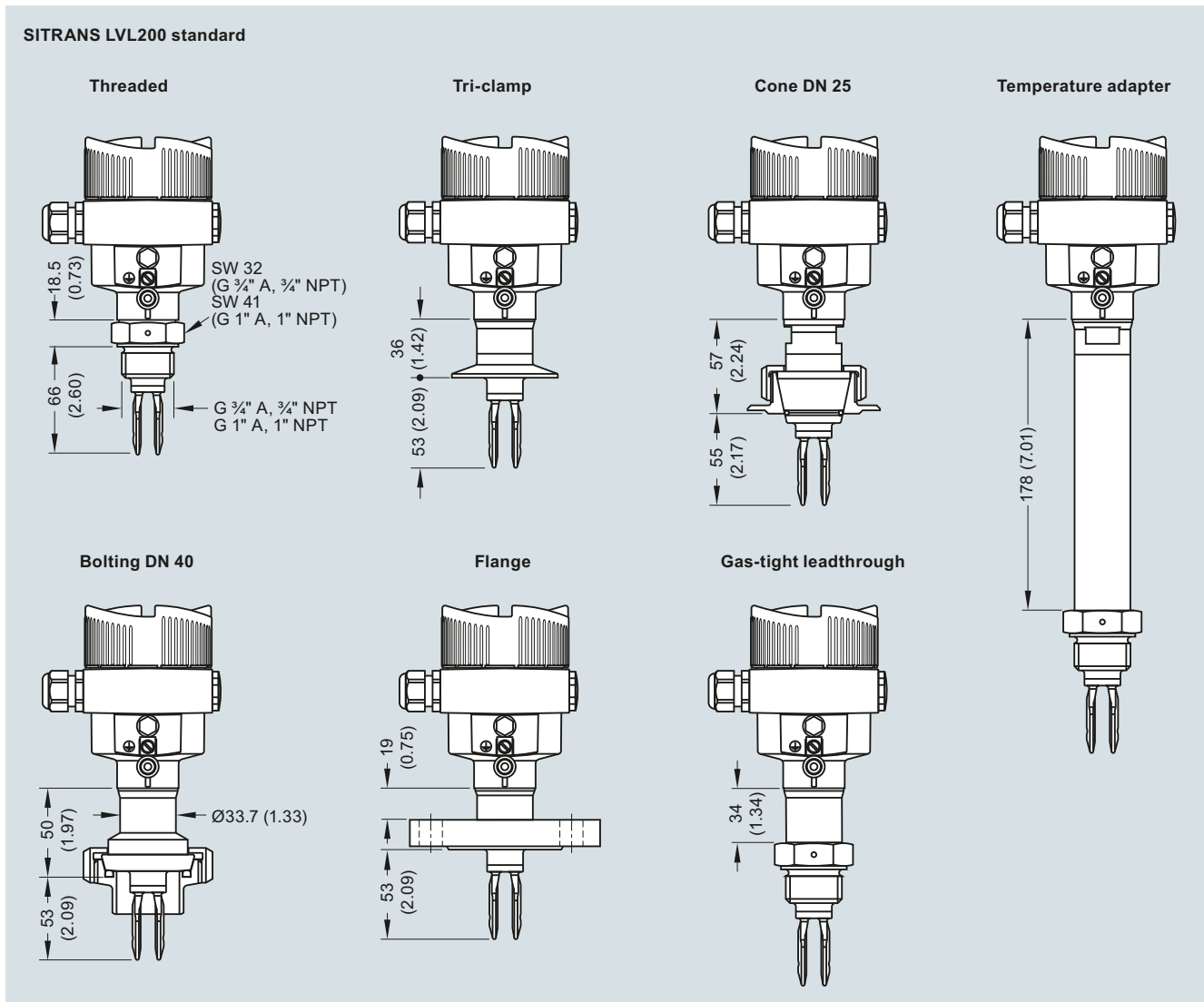


SITRANS LVL200 high temperature ambient temperature/process temperature

Dimensional drawings



SITRANS LVL200 housing, dimensions in mm (inch)



SITRANS LVL200 (standard), dimensions in mm (inch)

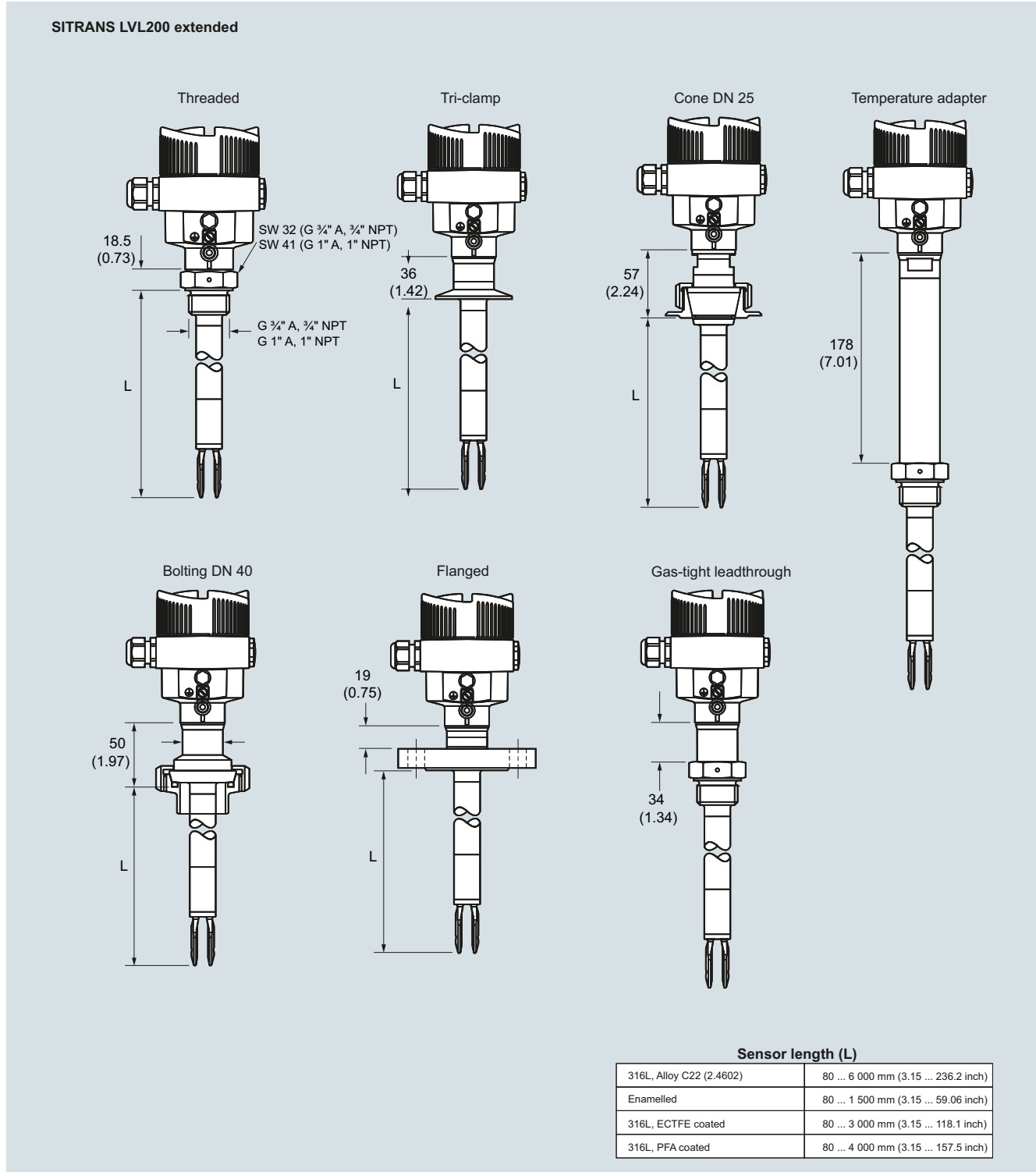
Level measurement

Point level measurement
Vibrating switches

SITRANS LVL200

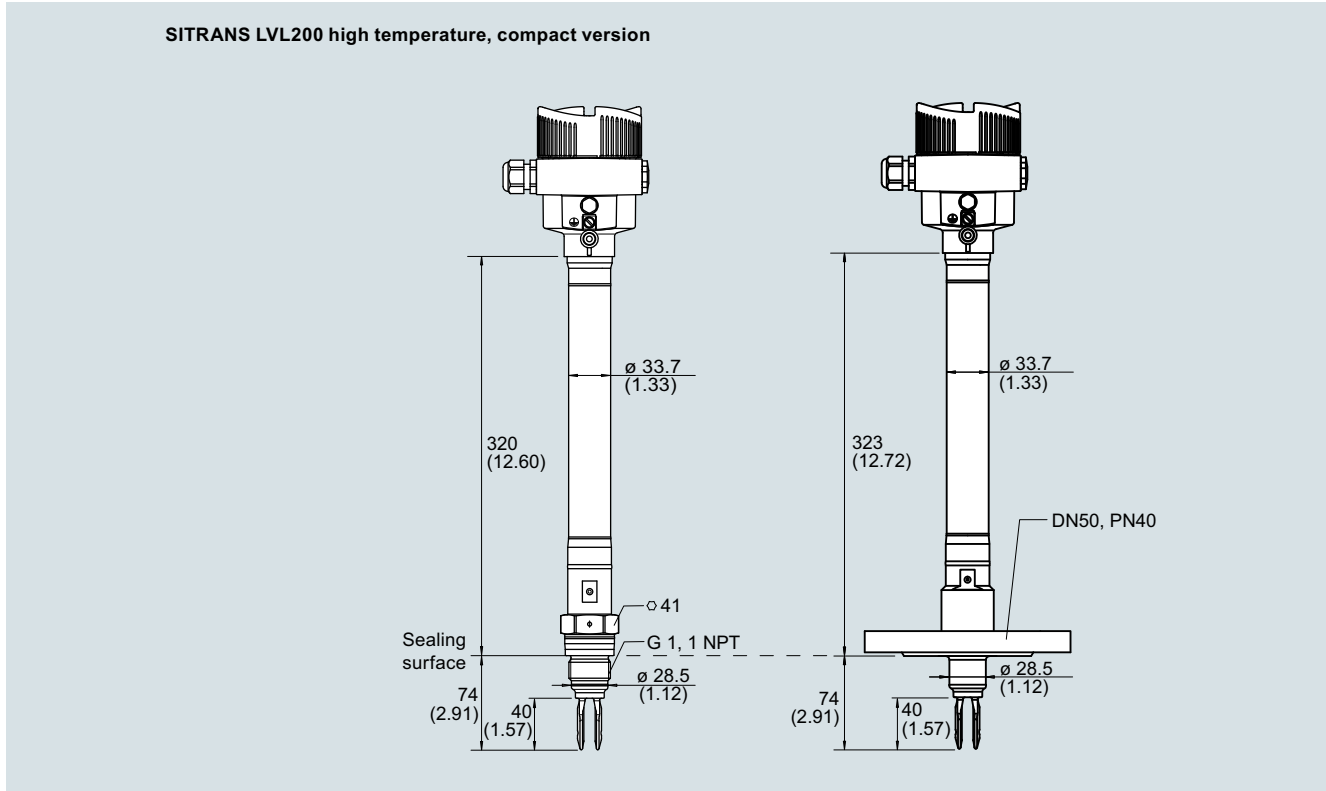
Dimensional drawings (continued)

4



SITRANS LVL200 (extended), dimensions in mm (inch)

Dimensional drawings (continued)



SITRANS LVL200 high temperature, compact version, dimensions in mm (inch)

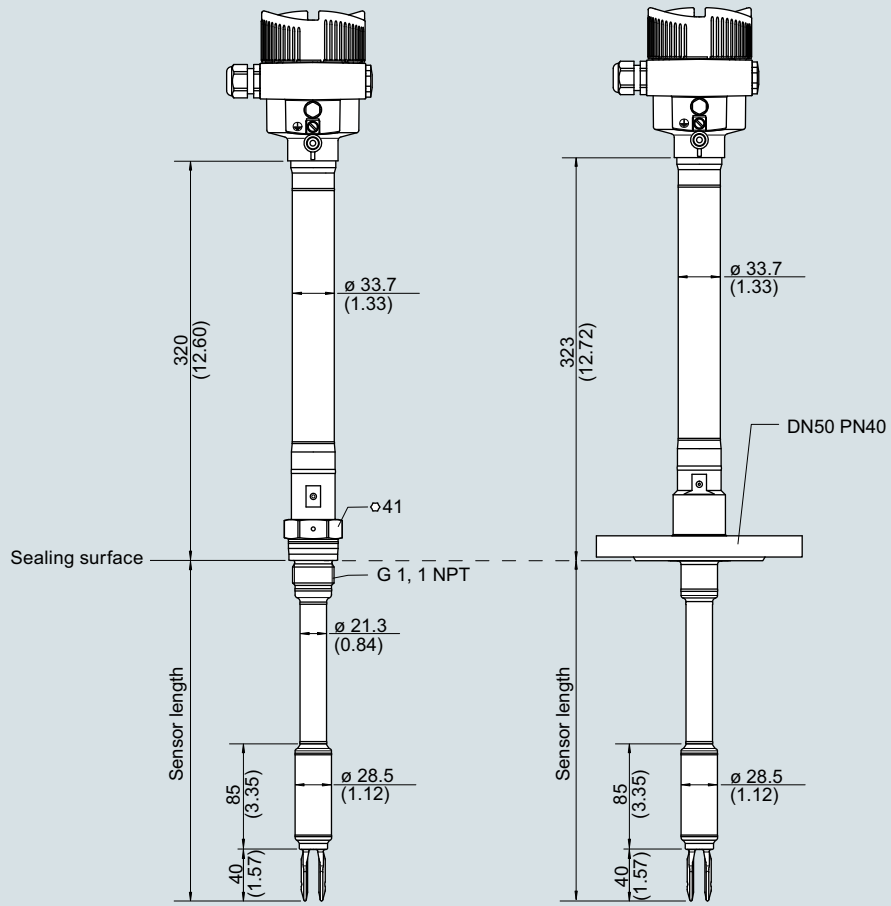
Level measurement

Point level measurement
Vibrating switches

SITRANS LVL200

4

SITRANS LVL200 high temperature, tube version



SITRANS LVL200 high temperature, tube version, dimensions in mm (inch)

