

Contact pressure gauges with diaphragm Industry version , with or without filling

Nominal size 100 , 160
Accuracy class 1,6 and 2,5

according to DIN EN 837-3

Features

High resistance to overpressure
Robust stainless steel case
Highly suitable for extremely viscous or
crystallizing media

Applications

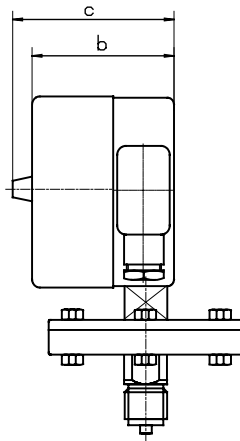
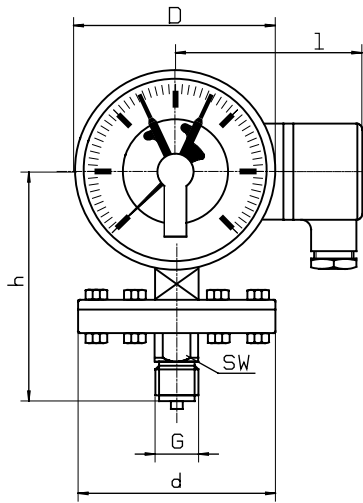
Food and beverage industries,
Mechanical engineering, plant and
apparatus construction ,



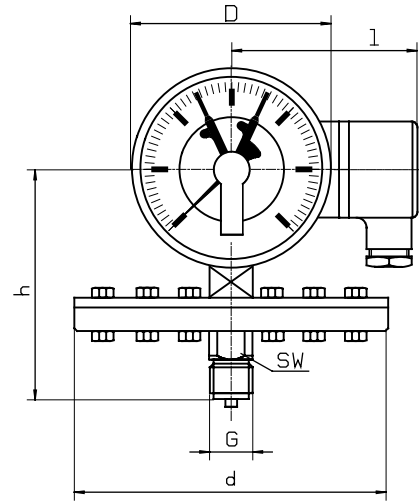
Version	with silicon oil filling			
Model and ND	IKMP-20 100	IKMP-20 160	IKMP-20 100 F	IKMP-20 160 F
Connection	bottom			
Accuracy class	1,6, ranges under 600 mbar with filling only Kl. 2,5			
Ranges	in mbar 0...60, 100, 160, 250, 400 in bar 0...0,6, 1, 1,6, 2,5, 4, 6, 10, 16, 25 in bar -0,6 / 0, -1 / 0, -1 / +0,6, -1 / +1,5, -1 / +3, -1 / +5, -1 / +9, -1 / +15			
Application	Constant load full scale value Alternating load 0,9 x full scale value Overload protection 1,3 x full scale value short time			
Case	CrNi steel	Steel black	CrNi steel	
Bezel	CrNi steel	Steel black	CrNi steel	
Window	Polycarbonat			
Dial	Aluminium white, scale black			
Pointer	Aluminium, black			
Movement	Copper alloy ,bearing parts nickel silver			
Flangediameter	160 mm up to 250 mbar, 100 mm from 0,4 bar			
Measuring element	CrNi steel , from 2,5 bar Duratherm 600			
Lower flange	SW 22, Steel zincing			
Connection	G 1/2 B and DIN-flange DN 15, 20, 25 and 50, for all PN 40			
Protection	IP 54 according to EN 60529 / IEC 529		IP 65 according to EN 60529 / IEC 529	
Temperatures	Medium: -20°C to 100°C, Ambient: -25°C to 60°C			
Informations over magnet snap action contact and inductive contact see data sheets M 950 and 960				

Dimensions

Flange 100 mm



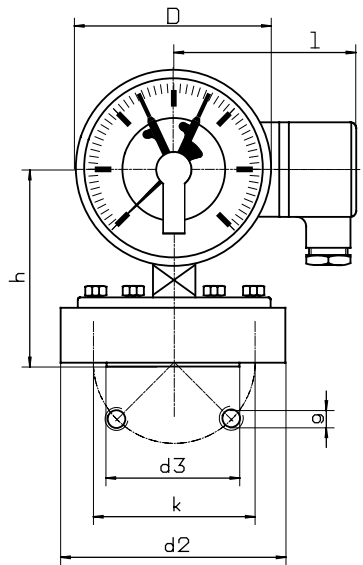
Flange 160 mm



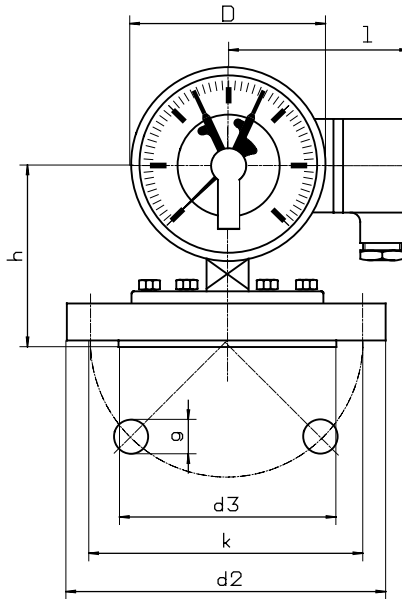
Flange according to DIN

Flange 100 mm

DN 25

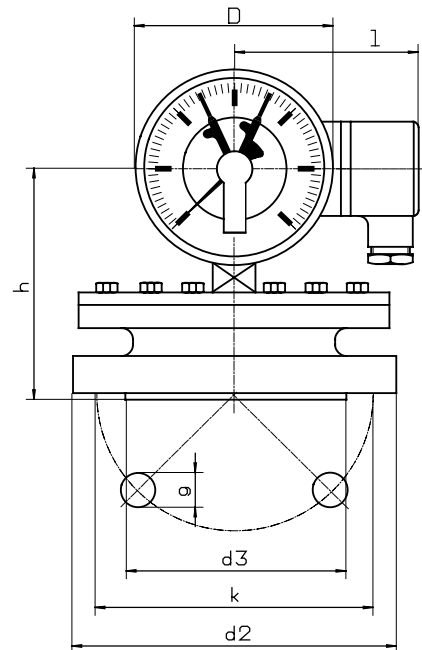


DN 50



Flange 160 mm

DN 50



Modelspecification

Model	Connection	Filling	Nominal size	Range	Options
IKMP-2	0	F or -	100 or 160	f.e. 10 bar	f.e. M 12
	bottom = 0	with filling = F without filling = -	Case ND 100 = 100 Case ND 160 = 160	after rangespecification or direkt 10 bar	Contact after specification Contact closes/opens other versions f.e. DIN flange DN 50

Dimensionstable lock at data sheet M 590