

## Heavy Duty pressure gauges with capsule element

Nominal size ND 100 and 160  
Accuracy class 1.6

according to DIN EN 837-3

### Features

High reliability and long service life  
Overload protection ,up to x 10  
Zero adjustment  
Copper alloy measuring system

### Applications

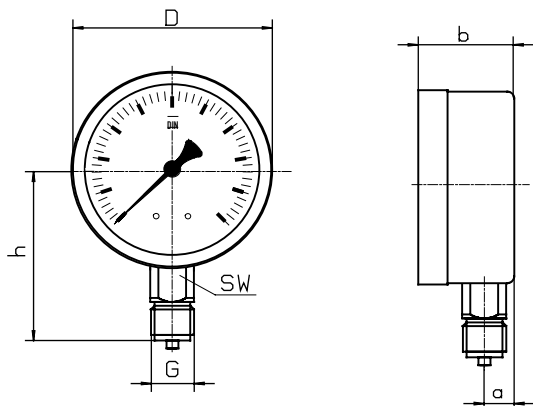
Pharmaceutical industry  
filter status monitoring  
furnace monitoring  
air-conditioning  
vacuum measurments and laboratory applications



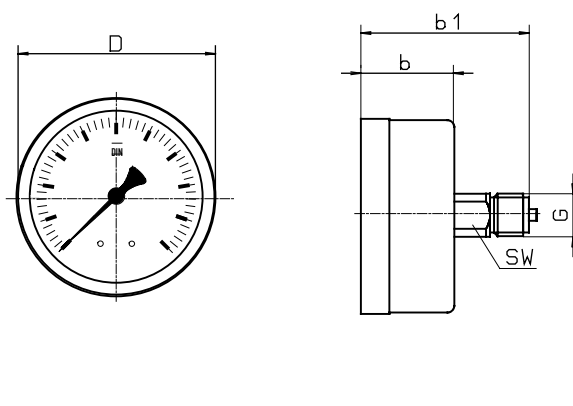
Models and ND	IMK-20 100	IMK-24 100	IMK-20 160	IMK-24 160
Connection	bottom	back,centric	bottom	back,centric
Ranges in mbar	0...4, 6, 10, 16, 25, 40, 60, 100, 160, 250, 400, 600 -4 / 0, -6 / 0, -10 / 0, -16 / 0, -25 / 0, -40 / 0, -60 / 0, -100 / 0, -160 / 0, -250 / 0, -400 / 0, -600 several other ranges (-100..+150) a. o.			
Application	Constant load : up to full scale value Alternating load : up to 0,9 x full scale value Overload protection: 100 mbar 10 x 250 mbar 5 x 400 mbar 3 x			
Case	CrNi steel		steel , black	CrNi steel
Bezel	CrNi steel		steel , black	CrNi steel
Window	Glass lens			
Dial	Aluminium white, scale and imprint black			
Pointer	Aluminium, black			
Movement	CuZn-alloy, with zero adjustment			
Measuring element	Copper-alloy			
Pressure connection	Copper-alloy			
Connectionthread	G 1/2 A			
Protection	IP 54 to EN 60529 / IEC 529			
Temperature	Medium: -20°C bis 80°C, ambient -25°C bis 60°C			
Weight	0,6 kg		1,0 kg	

## Dimensions

Connection bottom



Connection, back centric

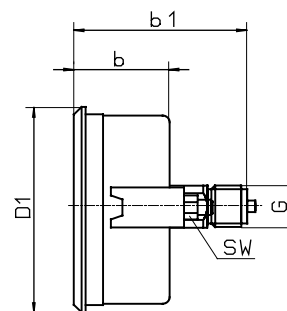
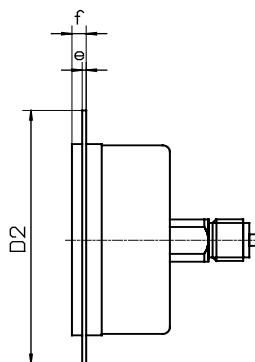
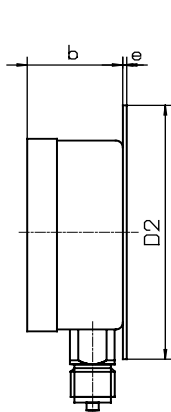
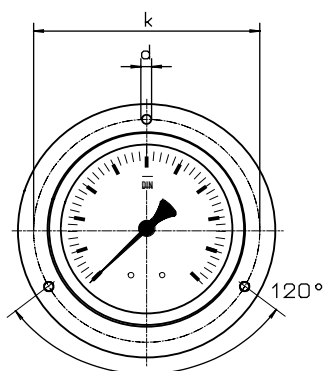


Front ange

Rear ange

Front ange

with triangle bezel and U-clamp,



Dimensions in mm														
Model	NG	D	a	b	b1	h	D1	D2	e	f	k	d	sw	G
IMK-20	100	101	15	49	-	86	107	132	2	6	116	5	22	G 1/2 B
IMK-24	100	101	-	49	85	-	107	132	2	6	116	5	22	G 1/2 B
IMK-20	160	160	15	51	-	118	-	196	3	8	178	5,6	22	G 1/2 B
IMK-24	160	160	-	51	86	-	166	196	3	8	178	5,6	22	G 1/2 B

**Typenschlüssel:**

