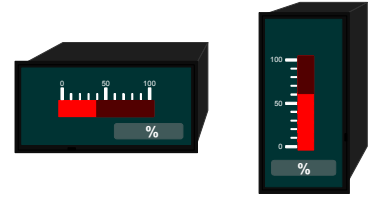


IBVO1, IBHO1 – bargraph display in 48x24 mm (BxH) Direct current / direct voltage signals 0-50 VDC, 0/4-20 mA

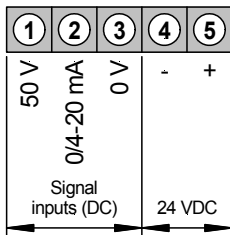
- without setpoints
- display range adjustable via potentiometer
- protection class IP54



ORDER NUMBER
(without options)

EUR

• Direct voltage, direct current



Power supply 24 VDC
galv. isolated

vertical **IBVO 1.001.775B** **127,15**
horizontal **IBHO 1.001.775B** **127,15**

• Order key options

IB	V	O	1.	0	0	1.	7	7	5	B
IB	H	O	1.	0	0	1.	7	7	5	B

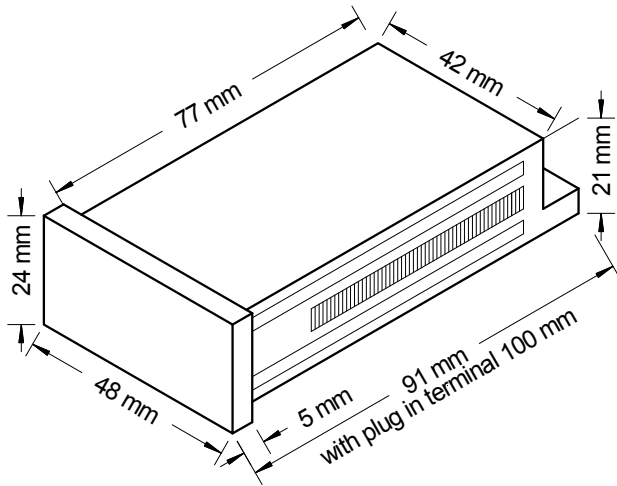
G	Green bargraph display	12,80
7	Protection class IP65 at the front side	28,10

Please state physical unit on demand in order, e.g. %.

• Technical data

Dimensions	Housing	48 x 24 x 100 mm, including plug-in terminal
	Assembly cut out	45.0 ^{+0.6} x 22.2 ^{+0.3} mm
	Fastening	special quick plastic clamp proper to fix in wall thickness up to 50 mm
	Housing material	PC/ABS-blend, colour black, UL94V-0
	Protection	at the front IP54 connection IP00
	Weight	approx. 60 g
	Connection	at the rear side via terminals up to 1.5 mm ²
	Input	Measuring range
Input resistance		All ranges selectable via connection terminal / offset adjustment supported by offset potentiometer R _i with 10 V = 100 KΩ 20 mA = 100 Ω
Accuracy	Resolution	10 digit
	Measuring fault	± 1 digit
	Temp. drift	100 ppm/K
Power unit	Supply voltage	24 VDC ±10% galvanic insulated
	Power consumption	approx. 1.5 VA
Display	Display	bargraph indication 10 digits
	Colour	red / optionally green
Ambient conditions	Working temperature	0 up to +60°C
	Storing temperature	-20 up to +80°C

Housing:



• **Ordering code**

IB H O 1 0 0 1 7 7 5 B

Basic model

Orientation

horizontal
vertical

H
V

Digital indication (numeric)

without indication

0

Number of bars

10

1

Sensor supply

not available

0

Analog output

not available

0

Internal index

Mechanical options

5 Protection IP54
7 Protection IP65

Power supply

7 24 VDC galvanic isolated

Size of housing

7 48x24 mm

Measuring input

1 Direct voltage, direct current