

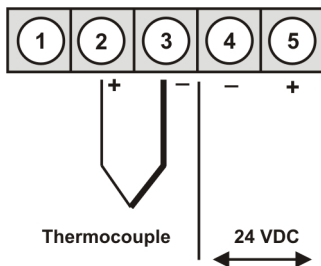
IM1 – 4-digit digital panel meter in 48x24 mm (BxH) Thermocouple type B, E, J, K, L, N, R, S, T

- red display of -1999...9999 digits (optional green, orange or blue display)
- minimal installation depth: 27 mm without plug-in terminal
- adjustment via factory default or directly on the sensor signal
- min/max-value recording
- displayed in °C or °F
- display flashing at threshold exceedance / undercut
- navigation keys for the recall of min/max values or for limit value corrections during operation
- impedance matching
- programming interlock via access code
- protection class IP65 at the front
- plug-in terminal
- accessories: pc-based configuration-kit PM-TOOL with CD & USB adapter
- on request: devices for working temperatures of -40°C...+70°C



ORDERING NUMBER **EUR**
(without options)

• Thermocouple type B, E, J, K, L, N, R, S, T



Supply 24 VDC

IM1-7TR4A.040X.770xD **165.90**

• Product key options

IM	1-	7	T	R	4	A.	0	4	0	X.	7	7	0	x	D		EUR
												1				Without keypad, operation via PC software PM-TOOL	10.60
												B				Blue	35.00
												G				Green	10.10
												Y				Orange	10.10

State physical unit in order, e.g. °F.

• Parameterisation software

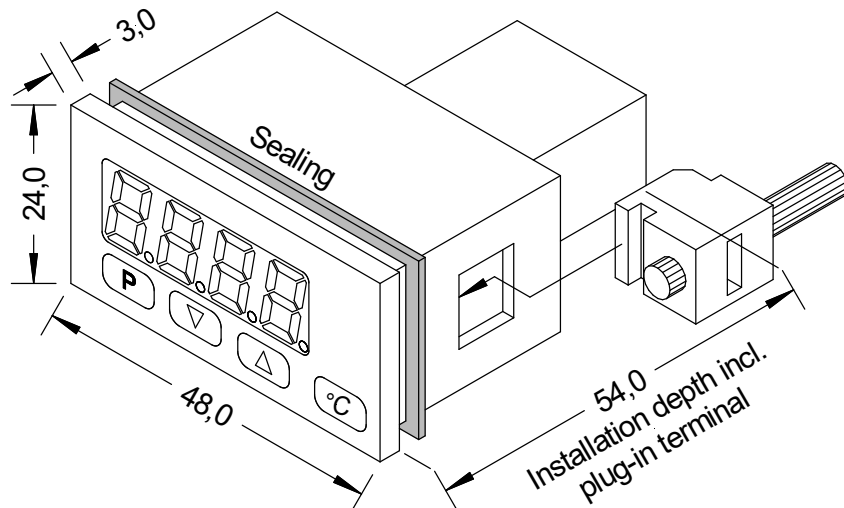
PC based configuration software PM-Tool for devices without keypad, for a simple adjustment of standard devices, incl. CD & USB-adapter. Programming happens via an interface on the back.

PM-TOOL-MUSB4 **94.30**

• Technical data

Dimension	Housing	B48xH24xD27 mm (including plug-in terminal D= 54 mm)	
	Panel cut-out	45.0 ^{+0.8} x 22.2 ^{+0.6} mm	
	Fixing	screw elements for insulation thickness up to 3 mm	
	Housing material	PC Polycarbonate, black	
	Sealing material	EPDM, 65 Shore, black	
	Protection class	at the front IP65 standard, back side IP00	
	Weight	approx. 100 g	
Display	Connection	plug-in terminal; line cross-section up to 2.5 mm ²	
	Display	4-digit	
	Digit height	10 mm	
	Segment colour	red (standard), optional available in green, blue and orange	
	Display range	-1999 to 9999	
	Setpoints	optical display flashing	
	Overflow	horizontal bars at the top	
Underflow	horizontal bars at the bottom		
Measuring input	Display time/ Measuring time	0.1 to 10.0 seconds	
	Measuring range	Type L	-200°C...900°C
		Type J	-210°C...1200°C
		Type K	-270°C...1372°C
		Type B	80°C...1820°C
		Type S	-50°C...1768°C
		Type N	-270°C...1300°C
		Type E	-270°C...1000°C
		Type T	-270°C...400°C
		Type R	-50°C...1768°C
Measuring fault	2 K, ± 1 Digit		
Temperature drift	100 ppm/K		
Measuring time	0.1 ... 10.0 seconds		
Measuring principle	U/F-conversion		
Resolution	0.1°C		
Characteristic curve fault	< ± 1 kΩ		
Reference junction	Thermistor		
Power pack	Supply	24 VDC ±10%, galvanic isolated (max. 1 VA)	
	Memory	EEPROM	
Ambient conditions	Working temperature	0 to +60°C	
	Storing temperature	-20 to +80°C	
	Climatic density	relative humidity 0-85% on years average without dew	
CE-sign	conformity to directive 2014/30/EU		
EMV	EN 61326, EN 55011		
Safety standard	according to low voltage directive 2014/35/EU; EN 61010; EN 60664-1		

Housing:



• Order key

	IM	1-	7	T	R	4	A.	0	4	0	X.	7	7	0	x	D	
Basic type M-Line																	Operation D physical unit (free selectable)
Installation depth 54 mm incl. plug-in terminal																	Version x internal version
Housing size 48x24x27 mm (BxHxD)																	Switching points 0 no switching point
Display type Temperature																	Protection class 1 without keypad, operation via PM-TOOL 7 IP65 / plug-in terminal
Display colours Blue Green Red Orange																	Supply voltage 7 24 VDC galv. isolated
Number of digits 4-digit																	Measuring input C Type B, E, J, K, L, N, R, S, T (selectable)
Digit height 10 mm																	Analog output 0 without
Digital input without																	Temperature devices 4 Thermocouple