

IMG – 4-digit large-size indicator for indoor use (Outdoor on request)

Interface: RS232/RS485 ASCII protocol

- red display from -1999...9999 digits (optional 6 or 8 digits)
- digit height 57 mm, 100 mm or 200 mm
- protection class IP65
- wall-mounting or panel-mounting enclosure
- pressure balance membrane for air ventilation and de-airing
- indicator adjustment via factory setting or directly on the sensor signal
- min/max value recording
- programming interlock via access code
- brightness sensor
- accessories: PC based configuration kit PM-TOOL with CD and USB-plug
- on request: indicators for outdoor use



• ORDER NUMBER (without options)

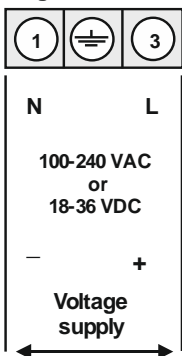
EUR

Built-on enclosure

57 mm	100-240 VAC	IMG-ADR41.5(6)000.S10xO	57 mm	635.00
18-36 VDC		IMG-ADR41.5(6)000.710xO		695.00
100 mm	100-240 VAC	IMG-ADR42.5(6)000.S10xO	100 mm	945.00
18-36 VDC		IMG-ADR42.5(6)000.710xO		1.005.00
200 mm	100-240 VAC	IMG-ADR45.5(6)000.S10xO	200 mm	2.035.00
18-36 VDC		IMG-ADR45.5(6)000.710xO		2.095.00

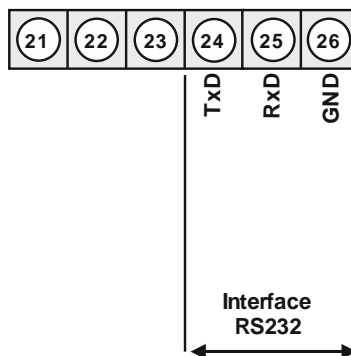
• Connection

Plug A:

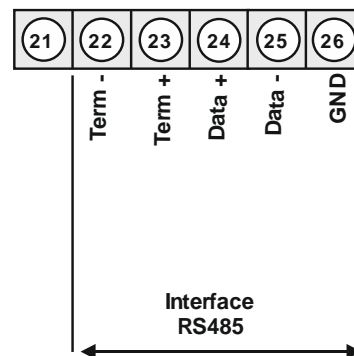


Plug C:

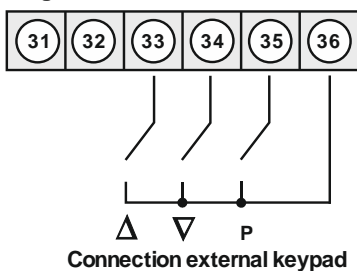
IMG-xDR41_5000.x10A0 / RS232



IMG-xDR41_6000.x10A0 / RS485



Plug D:



• Parameterisation software

PC-based configuration software PM-TOOL, for devices without keypad and a simple parameterisation of standard devices, incl. CD and USB adapter.

PM-TOOL-USB

29.00

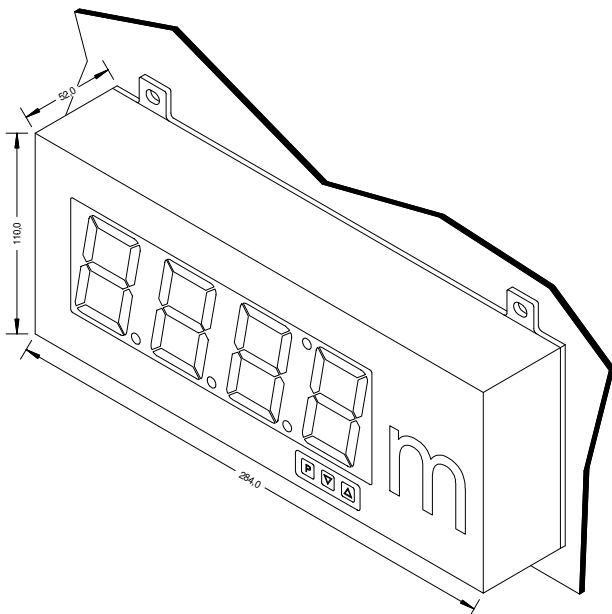
• Order key for options

IM	G	-	A	D	R	4	1.	5(6)	0	0	0.	S	1	0	x	O	Supply 100-240 VAC / DC +/-10%		
IM	G	-	A	D	R	4	1.	5(6)	0	0	0.	7	1	0	x	O	Supply 18-36 VDC galv. isolated	EUR	
																	D	Dimension: max. 3-digit	30.00
																	1	57 mm digit height	
																	2	100 mm digit height	
																	3	200 mm digit height	
																	6	Number of digits: 6 – 57 mm	210.00
																	6	Number of digits: 6 – 100 mm	320.00
																	6	Number of digits: 6 – 200 mm	on request
																	8	Number of digits: 8 – 57 mm	420.00
																	8	Number of digits: 8 – 100 mm	640.00
																	8	Number of digits: 8 – 200 mm	on request
																	G	Green LED	on request
																	B	Blue	on request
																	Y	Orange	on request
																	B	Installation enclosure 57 mm, 4-digit	150.00
																	B	Installation enclosure 57 mm, 4-digit	250.00

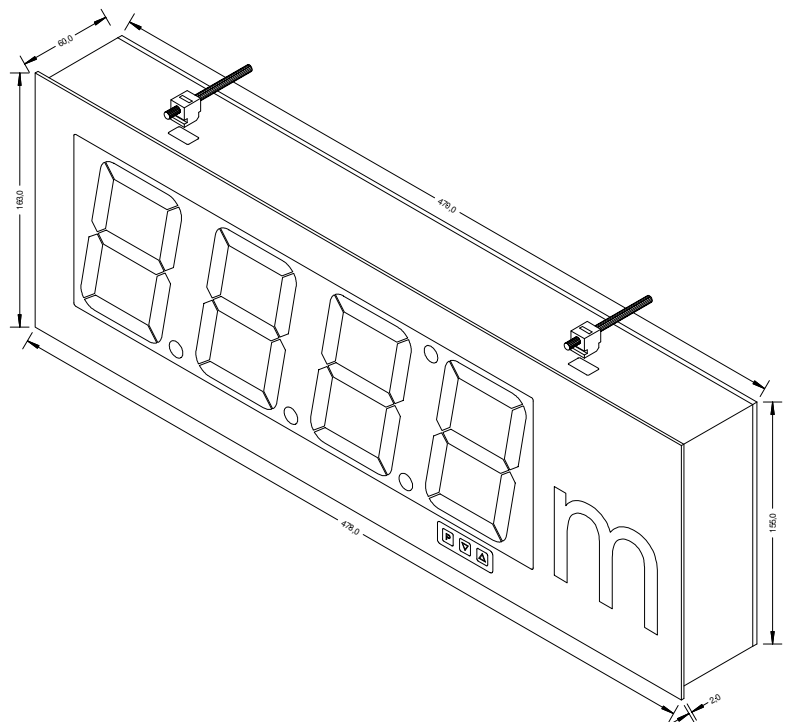
MGO (Outdoor): 100 mm for 350,00€ / 200 mm for 650,00€ - only possible with a voltage supply of 100-240 VAC!

• Enclosure dimensions

Built-on enclosure



Installation enclosure



• Technical data

Dimensions	Built-on enclosure	57 mm display: 284 mm x 110 mm x 52 mm (WxHxD) 100 mm display: 470 mm x 155 mm x 58 mm (WxHxD) 200 mm display: 998 mm x 276 mm x 58 mm (WxHxD)
	Installation enclosure	57 mm display: 100 mm display: 478 mm x 155 mm x 60 mm (WxHxD) 474 ^{-0.5} mm x 159 ^{-0.5} mm (WxH) = panel cut-out
Material	Aluminium, black, powder-coated	
Protection class	IP65 complete	
Connection	Built-on enclosure	PG-screwing, on the rear side of the housing
	Plug (intern)	Plug A: 3-pole plug-in terminal for voltage supply Plug C: 6-pole plug-in terminal for interface Plug D: 6-pole plug-in terminal for external keypad (optional)
Weight	57 mm display (4-digit): approx. 1.3 kg 100 mm display (4-digit): approx. 2.7 kg	
Display	Display	power LED
	Digit height	57 mm, 100 mm
	Segment colours	red, green (orange, blue on request)
	Number of digits	4, optional 6 or 8 digits
	Display range	-1999 to 9999
	Overflow	horizontal bars at the top
	Underflow	horizontal bars at the bottom
	Display time	0.01 to 2.0 seconds
	Application area	Indoor / Outdoor
Interface serial	adjustable ASCII protocol	
Baud rate	300, 1200, 2400, 4800, 9600, 19200, 38400, 57600, 115200	
Interfaces	RS232 / RS485 parametrierbar	
Wire length RS232	max. 3 m at 57600 Baud (the smaller the Baud rate, the larger wire length are possible)	
Wire length RS485	max. 1000 m	
Bus participants	max. 32	
Termination	activatable via connection terminal	
Power supply	Supply	100-240 VAC 50/60 Hz, DC $\pm 10\%$ 18-36 VDC, galv. isolated
	Power consumption	max. 50 VA, max. 200 mm display
Memory	EEPROM	data life ≥ 100 years at 25°C
Ambient conditions	Working temperature	-20...+50°C
	Storing temperature	-30...+70°C
	Weathering resistance	rel. humidity 0-75 % on years average without dew
EMV	EN 61326	
CE-sign	conformity according to 2014/30/EU	
Safety requirements	according to low voltage directive 2014/35/EU; EN 61010; EN 60664-1	

