

IPDE – 4-digit digital panel meter in 48x48 mm Pressure device with integrated pressure sensor 16 bar

- zero balance via keypad with permanent storage
- pressure rang control via relay
- optional galvanic insulated analog output



ORDER NUMBER OF TYPE EUR
(without options)

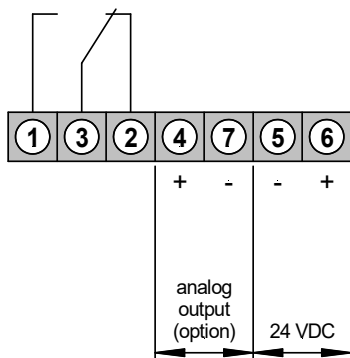
• Pressure

Pressure connection



Power supply 24 VDC

IPDE 4.003.8361E on request



• Order key options

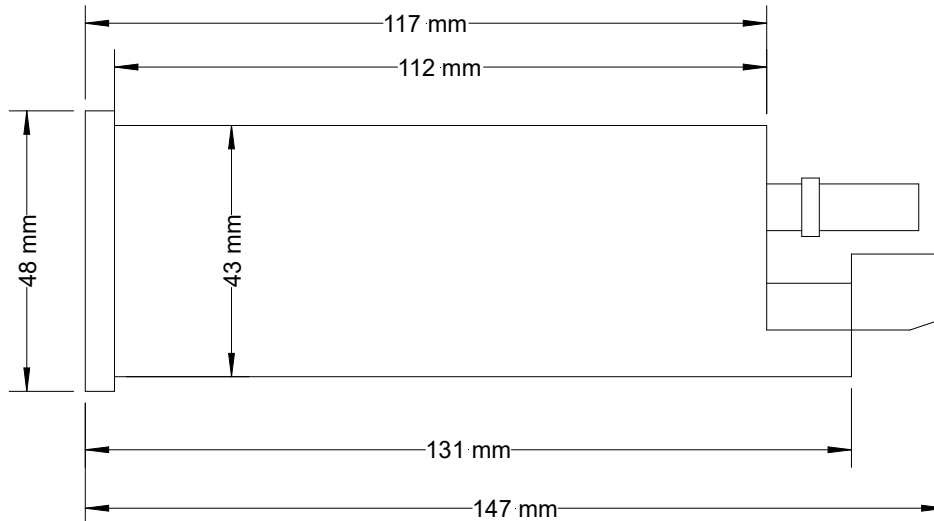
IPDE 4.003.8361E		EUR
7	Protection class IP65	on request
9	Protection class IP54	on request
1	Analog output 0-10 VDC / 16 Bit	on request
2	Analog output 0-20 mA / Burden 400 Ω	on request
3	Analog output 4-20 mA / Burden 400 Ω	on request

Please state physical unit on demand, e.g. bar.

• **Technical data**

Housing	Dimensions	W 48 x H 48 x D 147 mm, (including plug-in terminal)
	Assembly cut out	45.0 ^{+0.6} x 45.0 ^{+0.6} mm
	Fastening	special quick plastic clamp proper to fix in wall thickness up to 50 mm
	Housing material	PC/ABS-plastic blend, colour black, UL94V-0
	Protective system	at the front IP40, connection IP00
	Weight	approx. 160 g
	Connection	at the rear side via plug-in terminal up to 2.5 mm ²
Input	Measuring range	0-16 bar
	Overpressure	24 bar permanently (Cracking pressure)
	Sensor	piezo resistive pressure sensor hybrid
	Pressure port	connection via 4 mm quick-release connector for pressure hose
Output	Relay output	charge 230 VAC/5 A – 30 VDC/5 A
	Analog output	0 -10 VDC – 16 bit (option)
	Analog output	0 – 20 mA - load 400 Ω/16 bit (option)
	Analog output	4 – 20 mA - load 400 Ω/16 bit (option)
Accuracy	Resolution	0.00 up to 16.00 bar
	Linearization fault	0.3% of FS
	Hysteresis	0.2% of FS
	Measuring fault zero point	0.1% of FS
	Temperature drift	max. 500 ppm/K / typically 150 ppm/K
	Measuring principle	Voltage converter / frequency converter (values mentioned above, after 5 min. of operation)
Power unit	Supply voltage	24 VDC (±20%)
	Power consumption	approx. 5 VA
Indication	Display	LED with 7 segments, 14 mm high, red 4-digit = indication 9999
	Overflow	Indication of 4 transversal bars
	Indication time	1 second
Ambient conditions	Working temperature	0 up to +60°C
	Storing temperature	-20 up to +80°C
CE-sign	Conformity to directive 2014/30/EU	
EMV	EN 61326	
Safety standard	according to low voltage directive 2014/35/EU; EN 61010; EN 60664-1	

Housing



• Ordering code

		IP	D	E	4.	0	0	3.	8	3	6	1	E		
Basic model														Version	
														E version E	
Pressure	D													Switching points (standard)	
														1 1 relay output	
Internal index	E													Mechanical options	
														6 foil keyboard, protection IP40	
														7 plug-in terminal, foil keyboard, IP65	
														9 plug-in terminal, foil keyboard, IP54	
Number of digits	4													Power supply	
4 digits														3 24 VDC	
Sensor supply	0													Size of housing	
no sensor supply														8 48x48 mm (BxD)	
Outputs	0													Measuring input	
no outputs														3 16 bar pressure	
0-10 V															
0-20 mA															
4-20 mA															