

Dual differential pressure sensor, model A2G-52

EN

Doppelter Differenzdrucksensor, Typ A2G-52

DE

CE

air2guide



Model A2G-52

EN	Operating instructions model A2G-52	Page	3 - 30
-----------	--	-------------	---------------

DE	Betriebsanleitung Typ A2G-52	Seite	31 - 57
-----------	-------------------------------------	--------------	----------------

Contents

1. General information	4
2. Design and function	5
3. Safety	6
4. Transport, packaging and storage	11
5. Commissioning, operation	12
6. Menu navigation	20
7. Maintenance and cleaning	24
8. Dismounting, return and disposal	25
9. Specifications	28
10. Accessories	29

1. General information

1. General information

EN

- The differential pressure sensor described in the operating instructions has been manufactured using state-of-the-art technology. All components are subject to stringent quality and environmental criteria during production. Our management systems are certified to ISO 9001 and ISO 14001.
- These operating instructions contain important information on handling the instrument. Working safely requires that all safety instructions and work instructions are observed.
- Observe the relevant local accident prevention regulations and general safety regulations for the instrument's range of use.
- The operating instructions are part of the product and must be kept in the immediate vicinity of the instrument and readily accessible to skilled personnel at any time. Pass the operating instructions on to the next operator or owner of the instrument.
- Skilled personnel must have carefully read and understood the operating instructions prior to beginning any work.
- The general terms and conditions contained in the sales documentation shall apply.
- Subject to technical modifications.

2. Design and function

2. Design and function

2.1 Overview



EN

- ① Case
- ② LC display
- ③ Process connection
- ④ Cable gland M16

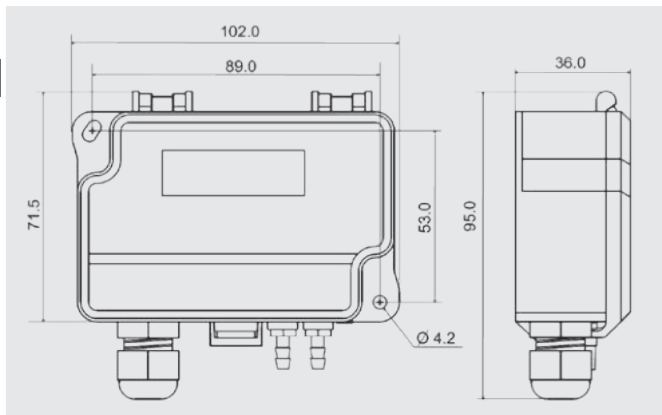
2.2 Description

The model A2G-52 dual differential pressure sensor combines two differential pressure sensors in one instrument, so that pressure can be measured from two different control points.

The model A2G-52 has a Modbus® and an input interface. By using the input interface, up to two temperature sensors (Pt1000, Ni1000, NTC10K) can be connected directly. Thus, temperature transmitters which would otherwise be necessary can be saved. Alternatively, the input interface can also be assigned to an analogue input signal (0 ... 10 V) or a potential-free contact.

2. Design and function / 3. Safety

2.3 Dimensions in mm



2.4 Scope of delivery

- Dual differential pressure sensor
- 2 mounting screws
- 4 duct connectors (option)
- 4 m PVC hose (option)

Cross-check scope of delivery with delivery note.

3. Safety

3.1 Explanation of symbols



WARNING!

... indicates a potentially dangerous situation that can result in serious injury or death, if not avoided.

3. Safety

EN



CAUTION!

... indicates a potentially dangerous situation that can result in light injuries or damage to property or the environment, if not avoided.



DANGER!

... identifies hazards caused by electrical power. Should the safety instructions not be observed, there is a risk of serious or fatal injury.



WARNING!

... indicates a potentially dangerous situation that can result in burns, caused by hot surfaces or liquids, if not avoided.



Information

... points out useful tips, recommendations and information for efficient and trouble-free operation.

3.2 Intended use

This dual differential pressure sensor is used for measuring differential pressures of air and other non-inflammable and non-aggressive gases in ventilation and air-conditioning applications.

This instrument is not permitted to be used in hazardous areas!

The instrument has been designed and built solely for the intended use described here, and may only be used accordingly.

The technical specifications contained in these operating instructions must be observed. Improper handling or operation of the instrument outside of its technical specifications requires the instrument to be taken out of service immediately and inspected by an authorised WIKA service engineer.

3. Safety

The manufacturer shall not be liable for claims of any type based on operation contrary to the intended use.

EN

3.3 Improper use



WARNING!

Injuries through improper use

Improper use of the instrument can lead to hazardous situations and injuries.

- ▶ Refrain from unauthorised modifications to the instrument.
- ▶ Do not use the instrument within hazardous areas.
- ▶ Do not use the instrument with abrasive or viscous media.

Any use beyond or different to the intended use is considered as improper use.

Do not use this instrument in safety or emergency stop devices.

3.4 Responsibility of the operator

The instrument is used in the industrial sector. The operator is therefore responsible for legal obligations regarding safety at work.

The safety instructions within these operating instructions, as well as the safety, accident prevention and environmental protection regulations for the application area must be maintained.

The operator is obliged to maintain the product label in a legible condition.

To ensure safe working on the instrument, the operating company must ensure

- that the operating personnel are regularly instructed in all topics regarding work safety, first aid and environmental protection and know the operating instructions and in particular, the safety instructions contained therein.
- that the instrument is suitable for the particular application in accordance with its intended use.
- that personal protective equipment is available.

3.5 Personnel qualification



WARNING!

Risk of injury should qualification be insufficient

Improper handling can result in considerable injury and damage to equipment.

- ▶ The activities described in these operating instructions may only be carried out by skilled personnel who have the qualifications described below.

Skilled electrical personnel

Skilled electrical personnel are understood to be personnel who, based on their technical training, know-how and experience as well as their knowledge of country-specific regulations, current standards and directives, are capable of carrying out work on electrical systems and independently recognising and avoiding potential hazards. The skilled electrical personnel have been specifically trained for the work environment they are working in and know the relevant standards and regulations. The skilled electrical personnel must comply with current legal accident prevention regulations.

Operating personnel

The personnel trained by the operator are understood to be personnel who, based on their education, knowledge and experience, are capable of carrying out the work described and independently recognising potential hazards.

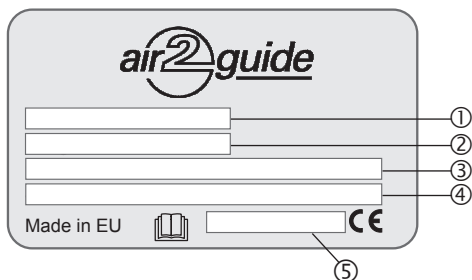
Special operating conditions require further appropriate knowledge, e.g. of aggressive media.

3. Safety

3.6 Labelling, safety marks

Product label (example)

EN



- ① Model
- ② Measuring range
- ③ Power supply
- ④ Output
- ⑤ Serial number



Before mounting and commissioning the instrument, ensure you read the operating instructions!

4. Transport, packaging and storage

EN

4. Transport, packaging and storage

4.1 Transport

Check the instrument for any damage that may have been caused by transport.

Obvious damage must be reported immediately.



CAUTION!

Damage through improper transport

With improper transport, a high level of damage to property can occur.

- ▶ When unloading packed goods upon delivery as well as during internal transport, proceed carefully and observe the symbols on the packaging.
- ▶ With internal transport, observe the instructions in chapter 4.2 “Packaging and storage”.

If the instrument is transported from a cold into a warm environment, the formation of condensation may result in instrument malfunction. Before putting it back into operation, wait for the instrument temperature and the room temperature to equalise.

4.2 Packaging and storage

Do not remove packaging until just before mounting.

Keep the packaging as it will provide optimum protection during transport (e.g. change in installation site, sending for repair).

Permissible conditions at the place of storage:

- Storage temperature: -20 ... +70 °C

Avoid exposure to the following factors:

- Direct sunlight or proximity to hot objects
- Mechanical vibration, mechanical shock (putting it down hard)
- Soot, vapour, humidity, dust and corrosive gases
- Hazardous environments, flammable atmospheres

4. Transport ... / 5. Commissioning, operation

Store the instrument in its original packaging in a location that fulfils the conditions listed above. If the original packaging is not available, pack and store the instrument as described below:

EN

1. Wrap the instrument in an antistatic plastic film.
2. Place the instrument, along with the shock-absorbent material, in the packaging.
3. If stored for a prolonged period of time (more than 30 days), place a bag containing a desiccant inside the packaging.

5. Commissioning, operation

Personnel: Skilled electrical personnel

Tools: Voltage tester, screwdriver

Only use original parts (see chapter 10 “Accessories”).



WARNING!

Physical injuries and damage to property and the environment caused by hazardous media

Upon contact with hazardous media (e.g. oxygen, acetylene, flammable or toxic substances), harmful media (e.g. corrosive, toxic, carcinogenic, radioactive), and also with refrigeration plants and compressors, there is a danger of physical injuries and damage to property and the environment.

Should a failure occur, aggressive media with extremely high temperature and under high pressure or vacuum may be present at the instrument.

- ▶ For these media, in addition to all standard regulations, the appropriate existing codes or regulations must also be followed.

5. Commissioning, operation



CAUTION!

Damage to the instrument

When working on open electric circuits (printed circuit boards) there is a risk of damaging sensitive electronic components through electrostatic discharge.

- ▶ The correct use of grounded working surfaces and personal armbands is required.



DANGER!

Danger to life caused by electric current

Upon contact with live parts, there is a direct danger to life.

- ▶ The instrument may only be installed and mounted by skilled personnel.
- ▶ Operation using a defective power supply unit (e.g. short circuit from the mains voltage to the output voltage) can result in life-threatening voltages at the instrument!

1. Instrument fixing at the desired mounting location (see chapter 5.1 “Instrument mounting”)
2. Opening the instrument cover, feeding the connection cable through the cable gland and connecting the wires to the terminal block (see chapter 5.3 “Electrical mounting”)
3. The instrument is now ready for configuration (see chapter 5.4 “Configuration”)

5. Commissioning, operation

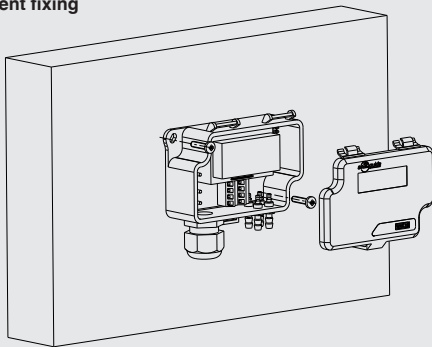
5.1 Instrument mounting

Screw the differential pressure transmitter onto a suitable vertical surface and fix it horizontally with the mounting screws delivered with the instrument.

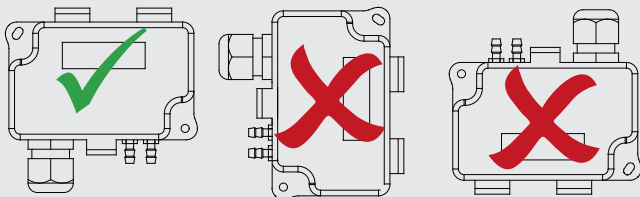
EN

1. Select a mounting location (duct, wall, panel).
2. Remove the case cover and use the screw holes as a template.
3. Mount with suitable screws.

Instrument fixing



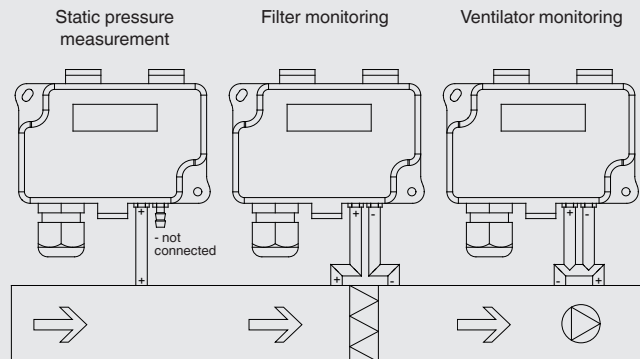
Instrument orientation



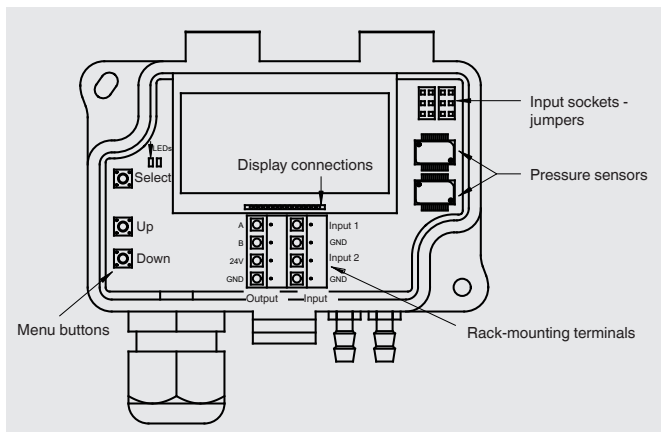
5. Commissioning, operation

EN

Application-related connections



5.2 PCB diagram



5. Commissioning, operation

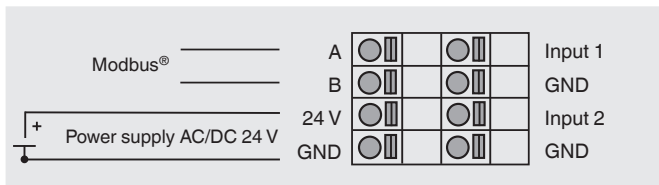
5.3 Electrical mounting

The instrument is designed to operate with safety extra-low voltage (SELV). As a rule, operate the differential pressure transmitter in the middle of the measuring range, since deviations can occur at the range limits.

EN

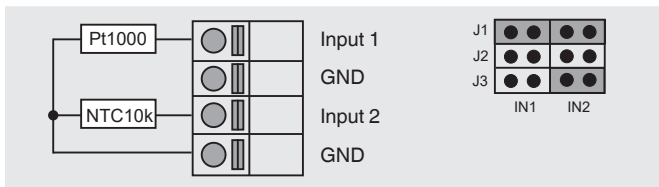
Operate the A2G-52 with a constant operating voltage (± 0.2 V) and ambient temperature. Prevent current/voltage spikes from switching the power supply on or off.

Connection diagram



Connection diagram for input signals

(configuration see chapter 5.7 “Input signal configuration”)



Input 1: Pt1000 temperature sensor

Function 04: Read input value for register 3x0005

Input 2: NTC10K temperature sensor

Function 04: Read input value for register 3x0008

5.4 Configuration

1. Remove the case cover.
2. Carry out a zero point setting (see chapter 5.5).
3. Connect measurement hoses.
(overpressure = connection "+", vacuum = connection "-")
4. Close the cover.

The instrument is now ready for operation.

5.5 Zero point setting

The zero point setting is done via

- Modbus®
- Manual push-button

Connect the voltage supply one hour before making the zero point setting

1. Remove both hoses from the pressure connections \oplus and \ominus .
2. Press the SELECT button briefly.
3. Wait until the red LED switches off again and install the hoses to the pressure connections again.

In normal operation, carry out a zero point setting every 12 months.

5. Commissioning, operation

5.6 Modbus® register

FC04 - Read input register

EN

Register	Parameter description	Data type	Value	Display
3x0001	Program version	16 bit	0 ... 1,000	0.00 ... 99.00
3x0002	Pressure measurement A	16 bit	-250 ... 2,500	-250 ... 2,500 (Pa)
3x0003	Pressure measurement B	16 bit	-250 ... 2,500	-250 ... 2,500 (Pa)
3x0004	Input 1: 0 ... 10 V	16 bit	0 ... 1,000	0 ... 100 %
3x0005	Input 1: Pt1000	16 bit	500 ... 500	-50 ... +50 °C
3x0006	Input 1: Ni1000	16 bit	-500 ... 500	-50 ... +50 °C
3x0007	Input 1: Ni1000-LG	16 bit	-500 ... 500	-50 ... +50 °C
3x0008	Input 1: NTC10k	16 bit	-500 ... 500	-50 ... +50 °C
3x0009	Input 2: 0 ... 10 V	16 bit	0 ... 1,000	0 ... 100 %
3x0010	Input 2: Pt1000	16 bit	-500 ... 500	-50 ... +50 °C
3x0011	Input 2: Ni1000	16 bit	-500 ... 500	-50 ... +50 °C
3x0012	Input 2: Ni1000-L	16 bit	-500 ... 500	-50 ... +50 °C
3x0013	Input 2: NTC10k	16 bit	-500 ... 500	-50 ... +50 °C

FC02 - Read input status

Register	Parameter description	Data type	Value	Display
1x0001	Input 1: BIN IN	Bit 0	0 ... 1	On - Off
1x0002	Input 2: BIN IN	Bit 0	0 ... 1	On - Off

FC05 - Write single coil

Register	Parameter description	Data type	Value	Display
0x0001	Zeroing	Bit 0	0 ... 1	On - Off

FC06 - Write single register

Register	Parameter description	Data type	Value	Display
4x0001	Beta value of NTC resistor	16 bit	0 ... 30,000	0 ... 30,000 (standard 4,220)

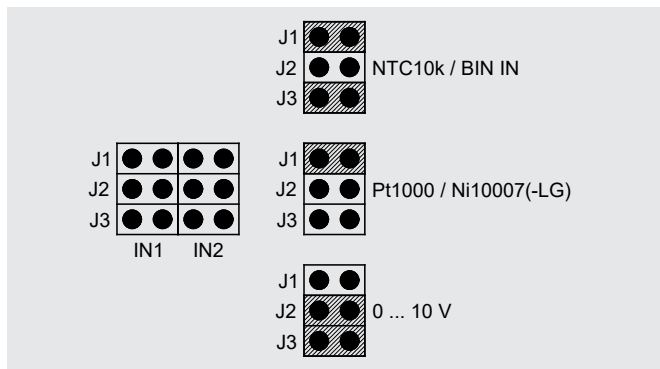
5. Commissioning, operation

5.7 Input signal configuration

The input signals can be read over Modbus® via RS-485 interface.

Set the jumpers on the PCB in accordance with the illustration. Read the value from the correct register. Both inputs can be configured independently.

EN



Signal	Accuracy	Resolution
0 ... 10 V	< 0.5 %	0.1 %
NTC10K	< 0.5 %	0.1 %
Pt1000	< 0.5 %	0.1 %
Ni1000/(-LG)	< 0.5 %	0.1 %

6. Menu navigation

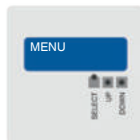
6. Menu navigation

1. Select function mode

EN

Move the “SELECT” button in any direction for at least 2 seconds to enter the menu.

- ▶ “MENU” is displayed.



2. Select Modbus® address: 1 ... 247

Move the “DOWN” button once, shortly

- ▶ “ADDRESS” menu item is displayed



Move the “SELECT” button once, shortly, in order to activate the “ADDRESS” selection.

- ▶ “ADDRESS” menu item flashes



Use “UP” or “DOWN” to find the desired Modbus® address.

- ▶ Selection is displayed



Move the “SELECT” button once, shortly, in order to accept the selection.

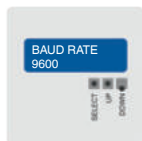


6. Menu navigation

3. Select the baud rate: 9,600, 19,200, 38,400

Move the “DOWN” button once, shortly

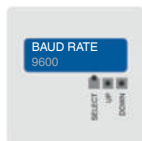
- ▶ “BAUD RATE” menu item is displayed



EN

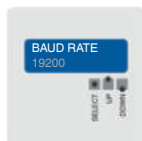
Move the “SELECT” button once, shortly, in order to activate the “BAUD RATE” selection.

- ▶ “BAUD RATE” menu item flashes

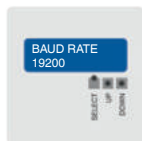


Use “UP” or “DOWN” to find the desired baud rate.

- ▶ Selection is displayed



Move the “SELECT” button once, shortly, in order to accept the selection.



6. Menu navigation

4. Select the parity bit: None, even, odd

- Move the “DOWN” button once, shortly
▶ “PARITY BIT” menu item is displayed



- Move the “SELECT” button once, shortly, in order to activate the “PARITY BIT” selection.
▶ “PARITY BIT” menu item flashes



- Use “UP” or “DOWN” to find the desired parity bit.
▶ Selection is displayed



- Move the “SELECT” button once, shortly, in order to accept the selection.



6. Menu navigation

5. Select pressure unit: Pa, inWC, mmWC, psi or mbar

Move the “DOWN” button once, shortly

- ▶ “PRESS.UNIT” menu item is displayed



EN

Move the “SELECT” button once, shortly, in order to activate the “PRESS.UNIT” selection.

- ▶ “PRESS.UNIT” menu item flashes



Use “UP” or “DOWN” to find the desired pressure unit.

- ▶ Selection is displayed.



Move the “SELECT” button once, shortly, in order to accept the selection.



6. Press the “SELECT” button in order to exit the menu.



6. Menu navigation

7. Maintenance and cleaning

Personnel: Skilled electrical personnel

Tools: Voltage tester, screwdriver

EN



For contact details see chapter 1 “General information” or the back page of the operating instructions.

7.1 Maintenance

This instrument is maintenance-free and offers long service life provided it is handled and operated properly.

Repairs must only be carried out by the manufacturer or appropriately qualified skilled personnel.

Only use original parts (see chapter 10 “Accessories”).

7.2 Cleaning



CAUTION!

Physical injuries and damage to property and the environment

Improper cleaning may lead to physical injuries and damage to property and the environment. Residual media in the dismantled instrument can result in a risk to persons, the environment and equipment.

► Carry out the cleaning process as described below.

1. Before cleaning, correctly disconnect the instrument from the pressure supply, switch it off and disconnect it from the mains.
2. Use the requisite protective equipment.
3. Clean the instrument with a moist cloth (soapy water).
Electrical connections must not come into contact with moisture!

7. Maintenance and cleaning



CAUTION!

Damage to the instrument

Improper cleaning may lead to damage to the instrument!

- ▶ Do not use any aggressive cleaning agents.
- ▶ Do not use any hard or pointed objects for cleaning.

EN

4. Wash or clean the dismantled instrument, in order to protect persons and the environment from exposure to residual media.

8. Dismounting, return and disposal

Personnel: Skilled electrical personnel

Tools: Voltage tester, screwdriver



WARNING!

Physical injuries and damage to property and the environment through residual media

Residual media in the dismantled instrument can result in a risk to persons, the environment and equipment.

- ▶ Observe the information in the material safety data sheet for the corresponding medium.
- ▶ Wash or clean the dismantled instrument, in order to protect persons and the environment from exposure to residual media.

8.1 Dismounting

EN



WARNING!

Physical injuries and damage to property and the environment through residual media

Upon contact with hazardous media (e.g. oxygen, acetylene, flammable or toxic substances), harmful media (e.g. corrosive, toxic, carcinogenic, radioactive), and also with refrigeration plants and compressors, there is a danger of physical injuries and damage to property and the environment.

- ▶ Before storage of the dismantled instrument (following use) wash or clean it, in order to protect persons and the environment from exposure to residual media.
- ▶ Observe the information in the material safety data sheet for the corresponding medium.



WARNING!

Risk of burns

During dismantling there is a risk of dangerously hot media escaping.

- ▶ Let the instrument cool down sufficiently before dismantling it!



DANGER!

Danger to life caused by electric current

Upon contact with live parts, there is a direct danger to life.

- ▶ The dismantling of the instrument may only be carried out by skilled personnel.
- ▶ Remove the differential pressure sensor once the system has been isolated from power sources.



WARNING!

Physical injury

When dismantling, there is a danger from aggressive media and high pressures.

- ▶ Observe the information in the material safety data sheet for the corresponding medium.
- ▶ Dismount the differential pressure sensor when there is no pressure.

8. Dismounting, return and disposal

EN

8.2 Return

Strictly observe the following when shipping the instrument:

All instruments delivered to WIKA must be free from any kind of hazardous substances (acids, bases, solutions, etc.) and must therefore be cleaned before being returned.



WARNING!

Physical injuries and damage to property and the environment through residual media

Residual media in the dismantled instrument can result in a risk to persons, the environment and equipment.

- ▶ With hazardous substances, include the material safety data sheet for the corresponding medium.
- ▶ Clean the instrument, see chapter 7.2 “Cleaning”.

When returning the instrument, use the original packaging or a suitable transport packaging.

To avoid damage:

1. Wrap the instrument in an antistatic plastic film.
2. Place the instrument, along with the shock-absorbent material, in the packaging.
Place shock-absorbent material evenly on all sides of the transport packaging.
3. If possible, place a bag, containing a desiccant, inside the packaging.
4. Label the shipment as transport of a highly sensitive measuring instrument.



Information on returns can be found under the heading “Service” on our local website.

8.3 Disposal

Incorrect disposal can put the environment at risk.

Dispose of instrument components and packaging materials in an environmentally compatible way and in accordance with the country-specific waste disposal regulations.

8. Dismounting, return and disposal

9. Specifications

Dual differential pressure sensor, model A2G-52

EN

Measuring element	Piezo measuring cell
Units of measure	Pa, mbar, inWC, mmWC, psi
Measuring range	-250 ... +2,500 Pa and -250 ... +7,500 Pa
Accuracy class	-250 ... +2,500 Pa = pressure < 125 Pa = ± 2 Pa + 1 % Pressure > 125 Pa = ± 1 Pa + 1 % -250 ... +7,000 Pa = pressure < 125 Pa = ± 2 Pa + 1.5 % Pressure > 125 Pa = ± 1 Pa + 1.5 % all data refer to the current measured value (of the measured pressure)
Process connection	Connecting nozzle (copper alloy), lower mount, for hoses with inner diameter 4 mm
Power supply U_B	AC 24 V or DC 24 V ± 10 %
Electrical connection	Cable gland M20 2 x 4 spring-clip terminals, max. 1.5 mm ²
Output signal	Modbus [®]
Display	Two-line LC display (12 characters/line) Line 1: Active measurement, input A Line 2: Active measurement, input B
Case	Plastic (ABS) Cover: Polycarbonate (PC)
Permissible medium temperature	-10 ... +50 °C
Relative humidity	0 ... 95 % r. h., non-condensing
Ingress protection	IP54
Weight	150 g



9. Specifications

EN

Modbus® communication	
Protocol	Modbus® via serial interface
Transfer mode	RTU
Interface	RS-485
Byte format	(11 bits) in RTU mode Coding system: 8 bits binary Bits per byte: - 1 Start bit - 8 data bits, lowest-order bit is sent first - 1 bit for parity - 1 stop bit
Baud rate	9,600, 19,200, 38,400 - adjustable in the configuration
Modbus® addresses	1 ... 247 addresses - adjustable in the configuration

For further specifications see WIKA data sheet PE 88.03 and the order documentation.

10. Accessories

Description	Order no.	
Measuring hoses		
	PVC hose, inner diameter 4 mm, roll at 25 m	40217841
	PVC hose, inner diameter 6 mm, roll at 25 m	40217850
	Silicone hose, inner diameter 4 mm, roll at 25 m	40208940
	Silicone hose, inner diameter 6 mm, roll at 25 m	40208958
Duct connector for hose 4 and 6 mm	40217507	
		

Inhalt

1. Allgemeines	32
2. Aufbau und Funktion	33
3. Sicherheit	34
4. Transport, Verpackung und Lagerung	39
5. Inbetriebnahme, Betrieb	40
6. Menüführung	48
7. Wartung und Reinigung	52
8. Demontage, Rücksendung und Entsorgung	53
9. Technische Daten	56
10. Zubehör	57

1. Allgemeines

1. Allgemeines

DE

- Der in der Betriebsanleitung beschriebene Differenzdrucksensor wird nach dem aktuellen Stand der Technik gefertigt. Alle Komponenten unterliegen während der Fertigung strengen Qualitäts- und Umweltkriterien. Unsere Managementsysteme sind nach ISO 9001 und ISO 14001 zertifiziert.
- Diese Betriebsanleitung gibt wichtige Hinweise zum Umgang mit dem Gerät. Voraussetzung für sicheres Arbeiten ist die Einhaltung aller angegebenen Sicherheitshinweise und Handlungsanweisungen.
- Die für den Einsatzbereich des Gerätes geltenden örtlichen Unfallverhütungsvorschriften und allgemeinen Sicherheitsbestimmungen einhalten.
- Die Betriebsanleitung ist Produktbestandteil und muss in unmittelbarer Nähe des Gerätes für das Fachpersonal jederzeit zugänglich aufbewahrt werden. Betriebsanleitung an nachfolgende Benutzer oder Besitzer des Gerätes weitergeben.
- Das Fachpersonal muss die Betriebsanleitung vor Beginn aller Arbeiten sorgfältig durchgelesen und verstanden haben.
- Es gelten die allgemeinen Geschäftsbedingungen in den Verkaufsunterlagen.
- Technische Änderungen vorbehalten.
- Weitere Informationen:
 - Internet-Adresse: www.wika.de / www.wika.com
www.air2guide.com
 - Zugehöriges Datenblatt: PE 88.03

2. Aufbau und Funktion

2.1 Überblick



- ① Gehäuse
- ② LC-Display
- ③ Prozessanschluss
- ④ Kabelverschraubung M16

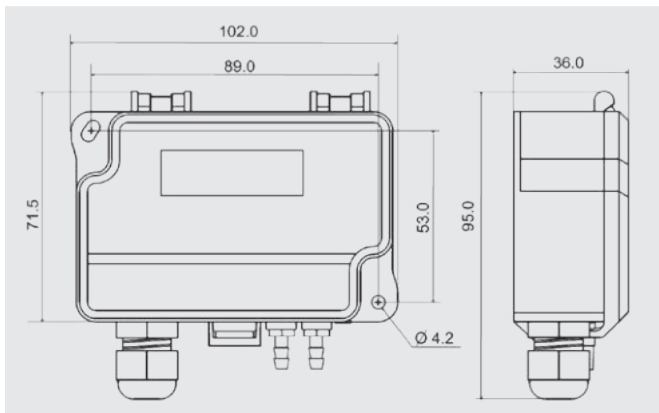
2.2 Beschreibung

Der doppelte Differenzdrucksensor Typ A2G-52 kombiniert zwei Differenzdrucksensoren in einem Gerät, so dass der Druck von zwei verschiedenen Kontrollpunkten gemessen werden kann.

Der A2G-52 hat eine Modbus®- und eine Input-Schnittstelle. Bei der Verwendung der Input-Schnittstelle können bis zu zwei Temperatursensoren (Pt1000, Ni1000, NTC10K) direkt angeschlossen werden. Somit können ansonsten notwendige Temperaturtransmitter eingespart werden. Alternativ kann die Input-Schnittstelle auch mit einem analogen Eingangssignal (0 ... 10 V) oder einem potentialfreien Kontakt belegt werden.

2. Aufbau und Funktion / 3. Sicherheit

2.3 Abmessungen in mm



DE

2.4 Lieferumfang

- Doppelter Differenzdrucksensor
- 2 Befestigungsschrauben
- 4 Kanalanschlussnippel (Option)
- 4 m PVC-Schlauch (Option)

Lieferumfang mit dem Lieferschein abgleichen.

3. Sicherheit

3.1 Symbolerklärung



WARNUNG!

... weist auf eine möglicherweise gefährliche Situation hin, die zum Tod oder zu schweren Verletzungen führen kann, wenn sie nicht gemieden wird.

3. Sicherheit



VORSICHT!

... weist auf eine möglicherweise gefährliche Situation hin, die zu geringfügigen oder leichten Verletzungen bzw. Sach- und Umweltschäden führen kann, wenn sie nicht gemieden wird.



GEFAHR!

... kennzeichnet Gefährdungen durch elektrischen Strom. Bei Nichtbeachtung der Sicherheitshinweise besteht die Gefahr schwerer oder tödlicher Verletzungen.



WARNUNG!

... weist auf eine möglicherweise gefährliche Situation hin, die durch heiße Oberflächen oder Flüssigkeiten zu Verbrennungen führen kann, wenn sie nicht gemieden wird.



Information

... hebt nützliche Tipps und Empfehlungen sowie Informationen für einen effizienten und störungsfreien Betrieb hervor.

3.2 Bestimmungsgemäße Verwendung

Dieser doppelte Differenzdrucksensor dient zur Messung von Differenzdrücken von Luft und anderen nicht brennbaren und nicht aggressiven Gasen in der Luft- und Klimatechnik.

Dieses Gerät ist nicht für den Einsatz in explosionsgefährdeten Bereichen zugelassen!

Das Gerät ist ausschließlich für den hier beschriebenen bestimmungsgemäßen Verwendungszweck konzipiert und konstruiert und darf nur dementsprechend verwendet werden.

Die technischen Spezifikationen in dieser Betriebsanleitung sind einzuhalten. Eine unsachgemäße Handhabung oder ein Betreiben des Gerätes außerhalb der technischen Spezifikationen macht die sofortige Stilllegung und Überprüfung durch einen autorisierten WIKA-Service-mitarbeiter erforderlich.

3. Sicherheit

Ansprüche jeglicher Art aufgrund von nicht bestimmungsgemäßer Verwendung sind ausgeschlossen.

3.3 Fehlgebrauch

DE



WARNUNG!

Verletzungen durch Fehlgebrauch

Fehlgebrauch des Gerätes kann zu gefährlichen Situationen und Verletzungen führen.

- ▶ Eigenmächtige Umbauten am Gerät unterlassen.
- ▶ Gerät nicht in explosionsgefährdeten Bereichen einsetzen.
- ▶ Gerät nicht für abrasive und viskose Messstoffe verwenden.

Jede über die bestimmungsgemäße Verwendung hinausgehende oder andersartige Benutzung gilt als Fehlgebrauch.

Dieses Gerät nicht in Sicherheits- oder in Not-Aus-Einrichtungen benutzen.

3.4 Verantwortung des Betreibers

Das Gerät wird im gewerblichen Bereich eingesetzt. Der Betreiber unterliegt daher den gesetzlichen Pflichten zur Arbeitssicherheit.

Die Sicherheitshinweise dieser Betriebsanleitung, sowie die für den Einsatzbereich des Gerätes gültigen Sicherheits-, Unfallverhütungs- und Umweltschutzvorschriften einhalten.

Der Betreiber ist verpflichtet das Typenschild lesbar zu halten.

Für ein sicheres Arbeiten am Gerät muss der Betreiber sicherstellen,

- dass das Bedienpersonal regelmäßig in allen zutreffenden Fragen von Arbeitssicherheit, Erste Hilfe und Umweltschutz unterwiesen wird, sowie die Betriebsanleitung und insbesondere die darin enthaltenen Sicherheitshinweise kennt.
- dass das Gerät gemäß der bestimmungsgemäßen Verwendung für den Anwendungsfall geeignet ist.
- dass die persönliche Schutzausrüstung verfügbar ist.

3.5 Personalqualifikation



WARNUNG!

Verletzungsgefahr bei unzureichender Qualifikation

Unsachgemäßer Umgang kann zu erheblichen Personen- und Sachschäden führen.

- ▶ Die in dieser Betriebsanleitung beschriebenen Tätigkeiten nur durch Fachpersonal nachfolgend beschriebener Qualifikation durchführen lassen.

DE

Elektrofachpersonal

Das Elektrofachpersonal ist aufgrund seiner fachlichen Ausbildung, Kenntnisse und Erfahrungen sowie Kenntnis der landesspezifischen Vorschriften, geltenden Normen und Richtlinien in der Lage, Arbeiten an elektrischen Anlagen auszuführen und mögliche Gefahren selbstständig zu erkennen und zu vermeiden. Das Elektrofachpersonal ist speziell für das Arbeitsumfeld, in dem es tätig ist, ausgebildet und kennt die relevanten Normen und Bestimmungen. Das Elektrofachpersonal muss die Bestimmungen der geltenden gesetzlichen Vorschriften zur Unfallverhütung erfüllen.

Bedienpersonal

Das vom Betreiber geschulte Personal ist aufgrund seiner Bildung, Kenntnisse und Erfahrungen in der Lage, die beschriebenen Arbeiten auszuführen und mögliche Gefahren selbstständig zu erkennen.

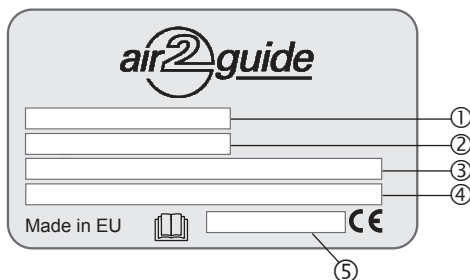
Spezielle Einsatzbedingungen verlangen weiteres entsprechendes Wissen, z. B. über aggressive Medien.

3. Sicherheit

3.6 Beschilderung, Sicherheitskennzeichnungen

Typenschild (Beispiel)

DE



- ① Typ
- ② Messbereich
- ③ Hilfsenergie
- ④ Ausgang
- ⑤ Seriennummer



Vor Montage und Inbetriebnahme des Gerätes unbedingt die Betriebsanleitung lesen!

4. Transport, Verpackung und Lagerung

4.1 Transport

Gerät auf eventuell vorhandene Transportschäden untersuchen.
Offensichtliche Schäden unverzüglich mitteilen.



VORSICHT!

Beschädigungen durch unsachgemäßen Transport

Bei unsachgemäßem Transport können Sachschäden in erheblicher Höhe entstehen.

- ▶ Beim Abladen der Packstücke bei Anlieferung sowie innerbetrieblichem Transport vorsichtig vorgehen und die Symbole auf der Verpackung beachten.
- ▶ Bei innerbetrieblichem Transport die Hinweise unter Kapitel 4.2 „Verpackung und Lagerung“ beachten.

Wird das Gerät von einer kalten in eine warme Umgebung transportiert, so kann durch Kondensatbildung eine Störung der Gerätefunktion eintreten. Vor einer erneuten Inbetriebnahme die Angleichung der Gerätetemperatur an die Raumtemperatur abwarten.

4.2 Verpackung und Lagerung

Verpackung erst unmittelbar vor der Montage entfernen.

Die Verpackung aufbewahren, denn diese bietet bei einem Transport einen optimalen Schutz (z. B. wechselnder Einbauort, Reparatursendung).

Zulässige Bedingungen am Lagerort:

- Lagertemperatur: -20 ... +70 °C

Folgende Einflüsse vermeiden:

- Direktes Sonnenlicht oder Nähe zu heißen Gegenständen
- Mechanische Vibration, mechanischer Schock (hartes Aufstellen)
- Ruß, Dampf, Feuchtigkeit, Staub und korrosive Gase
- Explosionsgefährdete Umgebung, entzündliche Atmosphären

4. Transport ... / 5. Inbetriebnahme, Betrieb

Das Gerät in der Originalverpackung an einem Ort lagern, der die oben gelisteten Bedingungen erfüllt. Wenn die Originalverpackung nicht vorhanden ist, dann das Gerät wie folgt verpacken und lagern:

1. Das Gerät in eine antistatische Plastikfolie einhüllen.
2. Das Gerät mit dem Dämmmaterial in der Verpackung platzieren.
3. Bei längerer Einlagerung (mehr als 30 Tage) einen Beutel mit Trocknungsmittel der Verpackung beilegen.

DE

5. Inbetriebnahme, Betrieb

Personal: Elektrofachpersonal

Werkzeuge: Spannungsprüfer, Schraubendreher

Nur Originalteile verwenden (siehe Kapitel 10 „Zubehör“).



WARNUNG!

Körperverletzungen, Sach- und Umweltschäden durch gefährliche Messstoffe

Bei Kontakt mit gefährlichen Messstoffen (z. B. Sauerstoff, Acetylen, brennbaren oder giftigen Stoffen), gesundheitsgefährdenden Messstoffen (z. B. ätzend, giftig, krebserregend, radioaktiv) sowie bei Kälteanlagen, Kompressoren besteht die Gefahr von Körperverletzungen, Sach- und Umweltschäden. Am Gerät können im Fehlerfall aggressive Medien mit extremer Temperatur und unter hohem Druck oder Vakuum anliegen.

- ▶ Bei diesen Messstoffen müssen über die gesamten allgemeinen Regeln hinaus die einschlägigen Vorschriften beachtet werden.



VORSICHT!

Beschädigung des Gerätes

Bei Arbeiten mit offenen Schaltkreisen (Leiterplatten) besteht die Gefahr empfindliche elektronische Bauteile durch elektrostatische Entladung zu beschädigen.

- ▶ Die ordnungsgemäße Verwendung geerdeter Arbeitsflächen und persönlicher Armbänder ist erforderlich.

DE



GEFAHR!

Lebensgefahr durch elektrischen Strom

Bei Berührung mit spannungsführenden Teilen besteht unmittelbare Lebensgefahr.

- ▶ Einbau und Montage des Gerätes dürfen nur durch Fachpersonal erfolgen.
- ▶ Bei Betrieb mit einem defekten Netzgerät (z. B. Kurzschluss von Netzspannung zur Ausgangsspannung) können am Gerät lebensgefährliche Spannungen auftreten!

1. Gerätebefestigung an der gewünschten Montagestelle (siehe Kapitel 5.1 „Gerätemontage“)
2. Öffnen des Gerätedeckels, Durchführung des Anschlusskabels durch die Kabelverschraubung und Anschluss der Drähte an den Klemmenblock (siehe Kapitel 5.3 „Elektrische Montage“)
3. Das Gerät ist nun bereit zur Konfiguration (siehe Kapitel 5.4 „Konfiguration“)

5. Inbetriebnahme, Betrieb

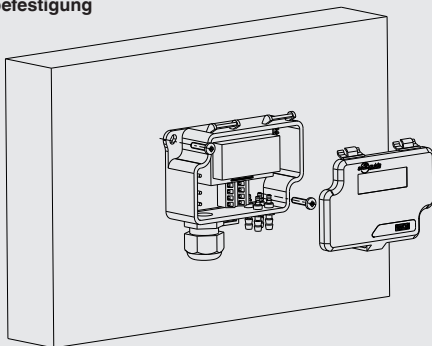
5.1 Gerätemontage

Den Differenzdrucktransmitter auf einer geeigneten vertikalen Fläche aufschrauben und waagrecht mit den beiliegenden Befestigungsschrauben befestigen.

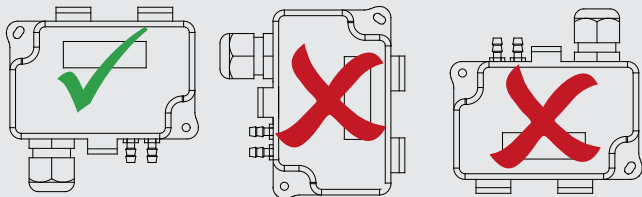
DE

1. Montageort wählen (Kanal, Wand, Panel).
2. Gehäusedeckel entfernen und die Schraubenlöcher als Schablone verwenden.
3. Mit geeigneten Schrauben montieren.

Gerätebefestigung



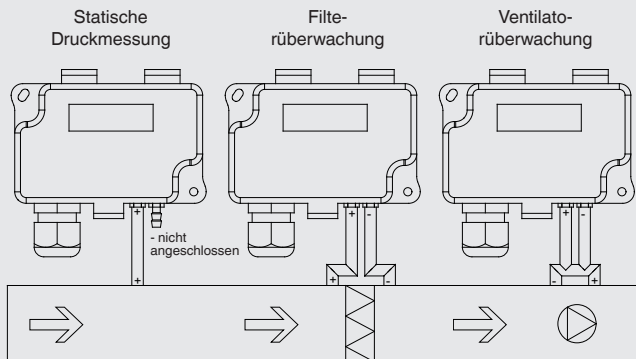
Geräteausrichtung



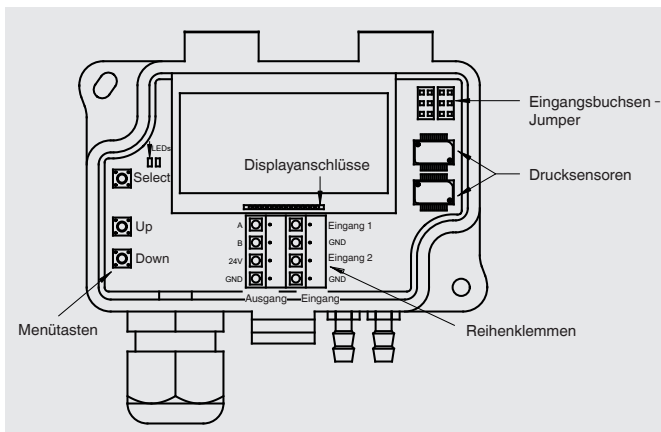
5. Inbetriebnahme, Betrieb

DE

Anwendungsbezogene Anschlüsse



5.2 Platinschema



5. Inbetriebnahme, Betrieb

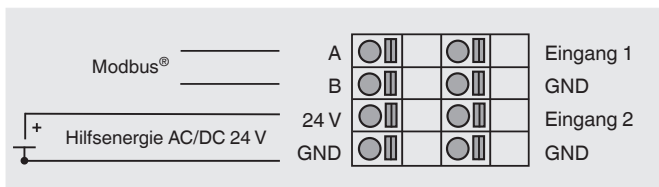
5.3 Elektrische Montage

Das Gerät ist für den Betrieb an Schutzkleinspannung (SELV) ausgelegt. Den Differenzdrucktransmitter in der Regel in der Messbereichsmittle betreiben, da an den Messbereichsendpunkten erhöhte Abweichungen auftreten können.

A2G-52 bei einer konstanten Betriebsspannung ($\pm 0,2$ V) und Umgebungstemperatur betreiben. Strom-/Spannungsspitzen beim Ein-/Ausschalten der Hilfsenergie bauseitig vermeiden.

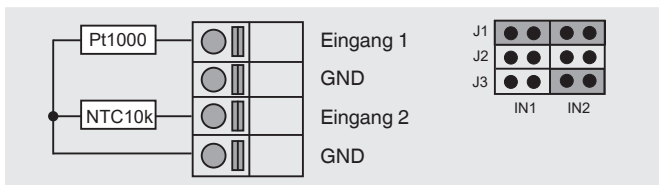
DE

Anschlussschema



Anschlussschema für Eingangssignale

(Konfiguration siehe Kapitel 5.7 „Konfiguration der Eingangssignale“)



Eingang 1: Pt1000-Temperatursensor

Funktion 04: Lese Eingangswert für Register 3 x 0005

Eingang 2: NTC10K-Temperatursensor

Funktion 04: Lese Eingangswert für Register 3 x 0008

5.4 Konfiguration

1. Gehäusedeckel entfernen.
2. Nullpunkteinstellung durchführen (siehe Kapitel 5.5).
3. Druckmessschläuche anschließen.
(Überdruck = Anschluss „+“, Unterdruck = Anschluss „-“)
4. Deckel schließen.

Das Gerät ist nun betriebsbereit.

5.5 Nullpunkteinstellung

Die Nullpunkteinstellung erfolgt über

- Modbus®
- Manueller Druckknopf

Die Spannungsversorgung eine Stunde vor der Nullpunkteinstellung anschließen!

1. Beide Schläuche von den Druckanschlüssen \oplus und \ominus lösen.
2. SELECT-Taste kurz drücken.
3. Warten bis sich die rote LED wieder ausschaltet und anschließend die Schläuche wieder an die Druckanschlüsse installieren.

Bei normalem Betrieb die Nullpunkteinstellung alle 12 Monate vornehmen.

5. Inbetriebnahme, Betrieb

5.6 Modbus®-Verzeichnis

FC04 - Eingangswörter lesen

Register	Parameter- beschreibung	Datentyp	Wert	Anzeige
3x0001	Programmversion	16 Bit	0 ... 1.000	0,00 ... 99,00
3x0002	Druckmessung A	16 Bit	-250 ... 2.500	-250 ... 2.500 (Pa)
3x0003	Druckmessung B	16 Bit	-250 ... 2.500	-250 ... 2.500 (Pa)
3x0004	Eingang 1: 0 ... 10 V	16 Bit	0 ... 1.000	0 ... 100 %
3x0005	Eingang 1: Pt1000	16 Bit	500 ... 500	-50 ... +50 °C
3x0006	Eingang 1: Ni1000	16 Bit	-500 ... 500	-50 ... +50 °C
3x0007	Eingang 1: Ni1000-LG	16 Bit	-500 ... 500	-50 ... +50 °C
3x0008	Eingang 1: NTC10k	16 Bit	-500 ... 500	-50 ... +50 °C
3x0009	Eingang 2: 0 ... 10 V	16 Bit	0 ... 1.000	0 ... 100 %
3x0010	Eingang 2: Pt1000	16 Bit	-500 ... 500	-50 ... +50 °C
3x0011	Eingang 2: Ni1000	16 Bit	-500 ... 500	-50 ... +50 °C
3x0012	Eingang 2: Ni1000-L	16 Bit	-500 ... 500	-50 ... +50 °C
3x0013	Eingang 2: NTC10k	16 Bit	-500 ... 500	-50 ... +50 °C

FC02 - Eingangsbit lesen

Register	Parameter- beschreibung	Datentyp	Wert	Anzeige
1x0001	Eingang 1: BIN IN	Bit 0	0 ... 1	Ein - Aus
1x0002	Eingang 2: BIN IN	Bit 0	0 ... 1	Ein - Aus

FC05 - Ausgangsbit schreiben

Register	Parameter- beschreibung	Datentyp	Wert	Anzeige
0x0001	Nullabgleich	Bit 0	0 ... 1	Ein - Aus

FC06 - Haltereister schreiben

Register	Parameter- beschreibung	Datentyp	Wert	Anzeige
4x0001	Betawert von NTC- Widerstand	16 Bit	0 ... 30.000	0 ... 30.000 (Standard 4.220)

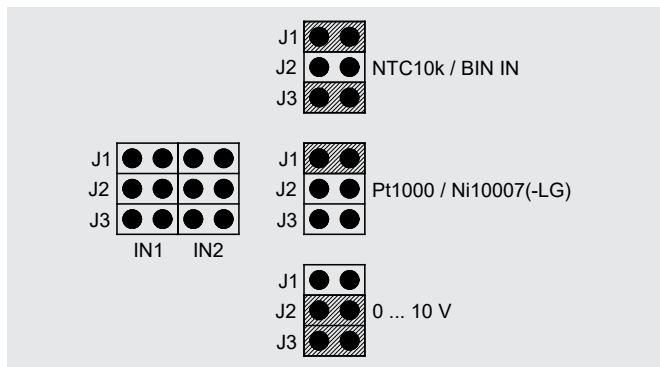
5. Inbetriebnahme, Betrieb

5.7 Konfiguration der Eingangssignale

Die Eingangssignale können über Modbus® via RS-485-Schnittstelle gelesen werden.

Die Jumper auf der Platine gemäß Abbildung einstellen. Den Wert vom korrekten Register ablesen. Beide Eingänge können unabhängig voneinander konfiguriert werden.

DE



Signal	Genauigkeit	Auflösung
0 ... 10 V	< 0,5 %	0,1 %
NTC10K	< 0,5 %	0,1 %
Pt1000	< 0,5 %	0,1 %
Ni1000/(-LG)	< 0,5 %	0,1 %

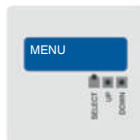
6. Menüführung

6. Menüführung

1. Funktionsmodus wählen

Die Taste „SELECT“ für mindestens 2 Sekunden in eine beliebige Richtung bewegen, um in das Menu zu gelangen.

- ▶ „MENU“ erscheint



2. Modbus®-Adresse wählen: 1 ... 247

Taste „DOWN“ einmal kurz bewegen

- ▶ Menüpunkt „ADDRESS“ erscheint



Taste „SELECT“ einmal kurz bewegen, um die Auswahl „ADDRESS“ zu aktivieren.

- ▶ Menüpunkt „ADDRESS“ blinkt



„UP“ oder „DOWN“ verwenden, um die gewünschte Modbus®-Adresse zu finden.

- ▶ Auswahl wird angezeigt



Taste „SELECT“ einmal kurz bewegen, um die Auswahl zu bestätigen.

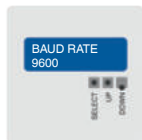


6. Menüführung

3. Baudrate wählen: 9.600, 19.200, 38.400

Taste „DOWN“ einmal kurz bewegen

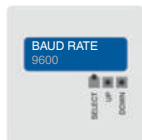
- ▶ Menüpunkt „BAUD RATE“ erscheint



DE

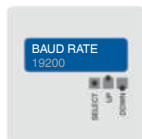
Taste „SELECT“ einmal kurz bewegen, um die Auswahl „BAUD RATE“ zu aktivieren.

- ▶ Menüpunkt „BAUD RATE“ blinkt

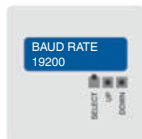


„UP“ oder „DOWN“ verwenden, um die gewünschte Baudrate zu finden.

- ▶ Auswahl wird angezeigt



Taste „SELECT“ einmal kurz bewegen, um die Auswahl zu bestätigen.



6. Menüführung

4. Paritäts-Bit wählen: None, Even, Odd

Taste „DOWN“ einmal kurz bewegen

- ▶ Menüpunkt „PARITY BIT“ erscheint



Taste „SELECT“ einmal kurz bewegen, um die Auswahl „PARITY BIT“ zu aktivieren.

- ▶ Menüpunkt „PARITY BIT“ blinkt



„UP“ oder „DOWN“ verwenden, um den gewünschten Paritäts-Bit zu finden.

- ▶ Auswahl wird angezeigt



Taste „SELECT“ einmal kurz bewegen, um die Auswahl zu bestätigen.



DE

6. Menüführung

5. Druckeinheit wählen: Pa, inWC, mmWC, psi oder mbar

Taste „DOWN“ einmal kurz bewegen

- ▶ Menüpunkt „PRESS.UNIT“ erscheint



Taste „SELECT“ einmal kurz bewegen, um die Auswahl „PRESS.UNIT“ zu aktivieren.

- ▶ Menüpunkt „PRESS.UNIT“ blinkt



„UP“ oder „DOWN“ verwenden, um die gewünschte Druckeinheit zu finden.

- ▶ Auswahl wird angezeigt.



Taste „SELECT“ einmal kurz bewegen, um die Auswahl zu bestätigen.



6. Taste „SELECT“ drücken, um das Menü zu verlassen.



7. Wartung und Reinigung

7. Wartung und Reinigung

Personal: Elektrofachpersonal

Werkzeuge: Spannungsprüfer, Schraubendreher

DE



Kontaktdaten siehe Kapitel 1 „Allgemeines“ oder Rückseite der Betriebsanleitung.

7.1 Wartung

Dieses Gerät ist wartungsfrei und zeichnet sich bei sachgemäßer Behandlung und Bedienung durch eine hohe Lebensdauer aus.

Reparaturen sind ausschließlich vom Hersteller oder entsprechend qualifiziertem Fachpersonal durchzuführen.

Nur Originalteile verwenden (siehe Kapitel 10 „Zubehör“).

7.2 Reinigung



VORSICHT!

Körperverletzungen, Sach- und Umweltschäden

Eine unsachgemäße Reinigung führt zu Körperverletzungen, Sach- und Umweltschäden. Messstoffreste im ausgebauten Gerät können zur Gefährdung von Personen, Umwelt und Einrichtung führen.

► Reinigungsvorgang wie folgt beschrieben durchführen.

1. Vor der Reinigung das Gerät ordnungsgemäß von der Druckversorgung trennen, ausschalten und vom Netz trennen.
2. Notwendige Schutzausrüstung verwenden.
3. Das Gerät mit einem (in Seifenlauge) angefeuchteten Tuch reinigen. Elektrische Anschlüsse nicht mit Feuchtigkeit in Berührung bringen!



VORSICHT!

Beschädigung des Gerätes

Eine unsachgemäße Reinigung führt zur Beschädigung des Gerätes!

- ▶ Keine aggressiven Reinigungsmittel verwenden.
- ▶ Keine harten und spitzen Gegenstände zur Reinigung verwenden.

DE

4. Ausgebautes Gerät spülen bzw. säubern, um Personen und Umwelt vor Gefährdung durch anhaftende Messstoffreste zu schützen.

8. Demontage, Rücksendung und Entsorgung

Personal: Elektrofachpersonal

Werkzeuge: Spannungsprüfer, Schraubendreher



WARNUNG!

Körperverletzungen, Sach- und Umweltschäden durch Messstoffreste

Messstoffreste im ausgebauten Gerät können zur Gefährdung von Personen, Umwelt und Einrichtung führen.

- ▶ Angaben im Sicherheitsdatenblatt für den entsprechenden Messstoff beachten.
- ▶ Ausgebautes Gerät spülen bzw. säubern, um Personen und Umwelt vor Gefährdung durch anhaftende Messstoffreste zu schützen.

8. Demontage, Rücksendung und Entsorgung

8.1 Demontage



WARNUNG!

Körperverletzungen, Sach- und Umweltschäden durch Messstoffreste

Bei Kontakt mit gefährlichen Messstoffen (z. B. Sauerstoff, Acetylen, brennbaren oder giftigen Stoffen), gesundheitsgefährdenden Messstoffen (z. B. ätzend, giftig, krebserregend, radioaktiv) sowie bei Kälteanlagen, Kompressoren besteht die Gefahr von Körperverletzungen, Sach- und Umweltschäden.

- ▶ Vor der Einlagerung das ausgebaute Gerät (nach Betrieb) spülen bzw. säubern, um Personen und Umwelt vor Gefährdung durch anhaftende Messstoffreste zu schützen.
- ▶ Angaben im Sicherheitsdatenblatt für den entsprechenden Messstoff beachten.



WARNUNG!

Verbrennungsgefahr

Beim Ausbau besteht Gefahr durch austretende, gefährlich heiße Messstoffe.

- ▶ Vor dem Ausbau das Gerät ausreichend abkühlen lassen!



GEFAHR!

Lebensgefahr durch elektrischen Strom

Bei Berührung mit spannungsführenden Teilen besteht unmittelbare Lebensgefahr.

- ▶ Die Demontage des Gerätes darf nur durch Fachpersonal erfolgen.
- ▶ Differenzdrucksensor im stromlosen Zustand demontieren.



WARNUNG!

Körperverletzung

Bei der Demontage besteht Gefahr durch aggressive Medien und hohe Drücke.

- ▶ Angaben im Sicherheitsdatenblatt für den entsprechenden Messstoff beachten.
- ▶ Differenzdrucksensor im drucklosen Zustand demontieren.

8. Demontage, Rücksendung und Entsorgung

8.2 Rücksendung

Beim Versand des Gerätes unbedingt beachten:

Alle an WIKA gelieferten Geräte müssen frei von Gefahrstoffen (Säuren, Laugen, Lösungen, etc.) sein und sind daher vor der Rücksendung zu reinigen.



WARNUNG!

Körperverletzungen, Sach- und Umweltschäden durch Messstoffreste

Messstoffreste im ausgebauten Gerät können zur Gefährdung von Personen, Umwelt und Einrichtung führen.

- ▶ Bei Gefahrenstoffen das Sicherheitsdatenblatt für den entsprechenden Messstoff beilegen.
- ▶ Gerät reinigen, siehe Kapitel 7.2 „Reinigung“.

Zur Rücksendung des Gerätes die Originalverpackung oder eine geeignete Transportverpackung verwenden.

Um Schäden zu vermeiden:

1. Das Gerät in eine antistatische Plastikfolie einhüllen.
2. Das Gerät mit dem Dämmmaterial in der Verpackung platzieren.
Zu allen Seiten der Transportverpackung gleichmäßig dämmen.
3. Wenn möglich einen Beutel mit Trocknungsmittel der Verpackung beifügen.
4. Sendung als Transport eines hochempfindlichen Messgerätes kennzeichnen.



Hinweise zur Rücksendung befinden sich in der Rubrik „Service“ auf unserer lokalen Internetseite.

8.3 Entsorgung

Durch falsche Entsorgung können Gefahren für die Umwelt entstehen. Gerätekomponenten und Verpackungsmaterialien entsprechend den landesspezifischen Abfallbehandlungs- und Entsorgungsvorschriften umweltgerecht entsorgen.

9. Technische Daten

9. Technische Daten

Doppelter Differenzdrucksensor, Typ A2G-52

Messelement	Piezo-Messzelle
Maßeinheiten	Pa, mbar, inWC, mmWC, psi
Messbereich	-250 ... +2.500 Pa und -250 ... +7.500 Pa
Genauigkeitsklasse	-250 ... +2.500 Pa = Druck < 125 Pa = ± 2 Pa + 1 % Druck > 125 Pa = ± 1 Pa + 1 % -250 ... +7.000 Pa = Druck < 125 Pa = ± 2 Pa + 1,5 % Druck > 125 Pa = ± 1 Pa + 1,5 % alle Angaben beziehen sich auf den aktuell gemessenen Wert (vom gemessenen Druck)
Prozessanschluss	Anschlussstutzen (Kupferlegierung), Anschlusslage unten, für Schläuche mit Innendurchmesser 4 mm
Hilfsenergie U_B	AC 24 V oder DC 24 V ± 10 %
Elektrischer Anschluss	Kabelverschraubung M20 2 x 4 Federklemmen, max. 1,5 mm ²
Ausgangssignal	Modbus®
Anzeige	Zweizeiliges LC-Display (12 Zeichen/Zeile) Zeile 1: aktive Messung, Eingang A Zeile 2: aktive Messung, Eingang B
Gehäuse	Kunststoff (ABS) Deckel: Polycarbonat (PC)
Zulässige Messstofftemperatur	-10 ... +50 °C
Relative Feuchte	0 ... 95 % r. F., nicht kondensierend
Schutzart	IP54
Gewicht	150 g

DE

9. Technische Daten / 10. Zubehör

DE

Modbus®-Kommunikation	
Protokoll	Modbus® über serielle Schnittstelle
Übertragungsmodus	RTU
Schnittstelle	RS-485
Byte-Format	(11 Bits) im RTU-Modus Coding System: 8 Bits binär Bits per Byte: - 1 Start-Bit - 8 Daten-Bits, niedrigstwertige Bit wird zuerst gesendet - 1 Bit für Parität - 1 Stop-Bit
Baudrate	9.600, 19.200, 38.400 - einstellbar in der Konfiguration
Modbus®-Adressen	1 ... 247 Adressen - einstellbar in der Konfiguration

Weitere technische Daten siehe WIKA-Datenblatt PE 88.03 und Bestellunterlagen.

10. Zubehör

Beschreibung	Bestell-Nr.
Messschläuche	
 PVC-Schlauch, Innendurchmesser 4 mm, Rolle à 25 m	40217841
PVC-Schlauch, Innendurchmesser 6 mm, Rolle à 25 m	40217850
 Silikonschlauch, Innendurchmesser 4 mm, Rolle à 25 m	40208940
Silikonschlauch, Innendurchmesser 6 mm, Rolle à 25 m	40208958
Kanalanschlussnippel für Schlauch 4 und 6 mm	40217507
	