

**SIEMENS**



Operating Instructions

# SITRANS F

Vortex flowmeters

SITRANS FX330

Edition

05/2019

[www.siemens.com/flow](http://www.siemens.com/flow)

All rights reserved. It is prohibited to reproduce this documentation, or any part thereof, without the prior written authorisation of Siemens.

Subject to change without notice.

Copyright 2019 by Siemens

|          |  |           |
|----------|--|-----------|
| <b>1</b> | <b>Safety instructions</b>                               | <b>6</b>  |
| <hr/>    |  |           |
| 1.1      | Software history .....                                   | 6         |
| 1.2      | Intended use .....                                       | 7         |
| 1.3      | Certifications .....                                     | 9         |
| 1.4      | Pressure equipment directive .....                       | 10        |
| 1.5      | Safety instructions from the manufacturer .....          | 11        |
| 1.5.1    | Copyright and data protection .....                      | 11        |
| 1.5.2    | Disclaimer .....   | 11        |
| 1.5.3    | Product liability and warranty .....                     | 12        |
| 1.5.4    | Information concerning the documentation .....           | 12        |
| 1.5.5    | Warnings and symbols used .....                          | 13        |
| 1.6      | Safety instructions for the operator .....               | 13        |
| <br>     |  |           |
| <b>2</b> | <b>Device description</b>                                | <b>14</b> |
| <hr/>    |  |           |
| 2.1      | Scope of delivery .....                                  | 14        |
| 2.2      | Device versions .....                                    | 14        |
| 2.2.1    | Flange versions .....                                    | 15        |
| 2.2.2    | Sandwich versions .....                                  | 15        |
| 2.2.3    | Dual version and twofold reliability .....               | 16        |
| 2.2.4    | Remote version .....                                     | 17        |
| 2.2.5    | Devices with integrated nominal diameter reduction ..... | 18        |
| 2.2.6    | Device description .....                                 | 19        |
| 2.2.7    | Free air delivery measurement - FAD (optional) .....     | 20        |
| 2.2.8    | Gross heat measurement (optional) .....                  | 21        |
| 2.2.9    | Net heat measurement (optional) .....                    | 22        |
| 2.2.10   | Dual seal .....  | 23        |
| 2.3      | Nameplate .....  | 24        |
| <br>     |  |           |
| <b>3</b> | <b>Installation</b>                                      | <b>26</b> |
| <hr/>    |  |           |
| 3.1      | General notes on installation .....                      | 26        |
| 3.2      | Storage .....  | 26        |
| 3.3      | Transport .....  | 26        |
| 3.4      | Installation conditions .....                            | 27        |
| 3.4.1    | Installation when measuring liquids .....                | 28        |
| 3.4.2    | Installation when measuring steam and gases .....        | 30        |
| 3.4.3    | Pipelines with control valve .....                       | 31        |
| 3.4.4    | Preferred mounting position .....                        | 31        |
| 3.5      | Minimum inlet sections .....                             | 32        |
| 3.6      | Minimum outlet sections .....                            | 33        |
| 3.7      | Flow straightener .....                                  | 33        |
| 3.8      | Installation .....                                       | 34        |
| 3.8.1    | General installation notes .....                         | 34        |
| 3.8.2    | Installing devices in sandwich design .....              | 35        |
| 3.8.3    | Installing devices in flange design .....                | 36        |
| 3.8.4    | Mounting the field housing, remote version .....         | 37        |
| 3.9      | Heat insulation .....                                    | 38        |
| 3.10     | Turning the connection housing .....                     | 39        |
| 3.11     | Turning the display .....                                | 40        |

|       |   |    |
|-------|---|----|
| 4     | Electrical connections                                  | 41 |
| 4.1   | Safety instructions                                     | 41 |
| 4.2   | Connecting the signal converter                         | 42 |
| 4.3   | Electrical connections                                  | 43 |
| 4.3.1 | Power supply  | 43 |
| 4.3.2 | Current output  | 43 |
| 4.3.3 | Current input   | 44 |
| 4.3.4 | Binary output   | 44 |
| 4.3.5 | Limit switch output                                     | 45 |
| 4.3.6 | Pulse output / Frequency output                         | 47 |
| 4.3.7 | Status output   | 48 |
| 4.4   | Connection of remote version                            | 48 |
| 4.5   | Grounding connections                                   | 50 |
| 4.6   | Ingress protection                                      | 51 |
| 5     | Start-up  | 52 |
| 5.1   | Start-up screen   | 52 |
| 5.2   | Operation   | 52 |
| 6     | Operation   | 53 |
| 6.1   | Display and operating elements                          | 53 |
| 6.1.1 | Display for selection of submenu and functions, 3 lines | 54 |
| 6.1.2 | Display when setting parameters, 4 lines                | 55 |
| 6.1.3 | Display when previewing parameters, 4 lines             | 55 |
| 6.2   | Basic principles of operation                           | 56 |
| 6.2.1 | Functional description of the keys                      | 56 |
| 6.2.2 | Switch from measuring mode to menu mode                 | 56 |
| 6.2.3 | Change the settings in the menu                         | 56 |
| 6.2.4 | Character selection in change mode                      | 57 |
| 6.2.5 | Units, figures and factors                              | 58 |
| 6.2.6 | Security and permissions                                | 58 |
| 6.3   | Overview of the most important functions and units      | 60 |
| 6.4   | Menu languages  | 60 |
| 6.5   | Gas options for gas measurement                         | 61 |
| 6.6   | Units   | 62 |
| 6.7   | Menu structure  | 65 |
| 6.7.1 | Menu overview "A Quick Setup"                           | 65 |
| 6.7.2 | Menu overview "B Test"                                  | 66 |
| 6.7.3 | Menu overview "C Setup"                                 | 67 |
| 6.7.4 | Menu description "A Quick Setup"                        | 71 |
| 6.7.5 | Menu description "B Test"                               | 78 |
| 6.7.6 | Menu description "C Setup"                              | 78 |
| 6.8   | Setting examples  | 87 |
| 6.8.1 | Settings for free air delivery measurement - FAD        | 87 |
| 6.8.2 | Gross heat measurement                                  | 88 |
| 6.8.3 | Net heat measurement                                    | 89 |
| 6.9   | Status messages and diagnostic information              | 90 |
| 6.10  | A12 plausibility checks                                 | 96 |

|   |     |
|---|-----|
| 7 Service   | 97  |
| 7.1 Replacing signal converter / LC display ..... | 97  |
| 7.2 Maintaining the O-rings.....                  | 98  |
| 7.3 Spare parts availability .....                | 99  |
| 7.4 Availability of services .....                | 99  |
| 7.5 Return procedure .....                        | 99  |
| 7.6 Disposal .....                                | 100 |
| 8 Technical data                                  | 101 |
| 8.1 Functional principle.....                     | 101 |
| 8.2 Technical data.....                           | 102 |
| 8.3 Dimensions and weights .....                  | 108 |
| 8.3.1 Flange versions.....                        | 108 |
| 8.3.2 Sandwich versions .....                     | 115 |
| 8.3.3 Remote version .....                        | 117 |
| 8.4 Flow tables .....                             | 118 |
| 9 Notes   | 121 |

## 1.1 Software history

The "Electronic Revision" (ER) is consulted to document the revision status of electronic equipment according to NE 53 for all devices. It is easy to see from the ER whether troubleshooting or larger changes in the electronic equipment have taken place and how that has affected the compatibility.

|         |   |                                 |
|---------|---|---------------------------------|
| 1       | Downwards compatible changes and fault repair with no effect on operation (e.g. spelling mistakes on display) |                                 |
| 2-<br>_ | Downwards compatible hardware and/or software change of interfaces:   |                                 |
|         | H   | HART®                           |
|         | P   | Profibus                        |
|         | F   | Foundation Fieldbus             |
| 3-<br>_ | Downwards compatible hardware and/or software change of inputs and outputs:                                   |                                 |
|         | CO  | Current output                  |
|         | FO,<br>PO   | Frequency output / pulse output |
|         | SO  | Status output                   |
|         | LS  | Limit switch                    |
|         | CI  | Current input                   |
|         | D   | Display                         |
| 4       | Downwards compatible changes with new functions   |                                 |
| 5       | Incompatible changes, i.e. electronic equipment must be changed   |                                 |

Table 1-1: Description of changes

| Release date | Electronic revision | Changes and compatibility                         | Documentation                      |
|--------------|---------------------|---|------------------------------------|
| 04/2016      | ER 1.0.5_           | Initial version                                   | Edition 05/2016                    |
| 08/2016      | ER 1.0.6_           | 1; 3-D  | Edition 05/2016                    |
| 07/2017      | ER 2.0.0_           | 5 ①   | Edition 08/2017                    |
| 10/2017      | ER 2.0.1_           | 1   | Edition 10/2017<br>Edition 09/2018 |
| 03/2019      | ER 2.0.3_           | 1   | Edition 05/2019                    |
| 05/2019      | ER 2.0.2_           | Release of Foundation Fieldbus communication; 5 ② | Edition 05/2019                    |
| 05/2019      | ER 2.0.2_(01-01)    | Release of Profibus PA communication; 5 ②         | Edition 05/2019                    |
| 05/2019      | ER 2.0.4_           | 1; 2-H; 3-D                                       | Edition 05/2019                    |
| 09/2019      | ER 2.0.5_           | 1; 2-F  | Edition 05/2019                    |
| 09/2019      | ER 2.0.5_(01-01)    | 1; 2-P  | Edition 05/2019                    |

Table 1-2: Changes and effect on compatibility

- ① Incompatible change: hardware change
- ② Incompatible change: new communication interface functions

## 1.2 Intended use

**CAUTION!**

Responsibility for the use of the measuring devices with regard to suitability, intended use and corrosion resistance of the used materials against the measured fluid lies solely with the operator.

**INFORMATION!**

This device is a Group 1, Class A device as specified within CISPR11:2009. It is intended for use in industrial environment. There may be potential difficulties in ensuring electromagnetic compatibility in other environments, due to conducted as well as radiated disturbances.

**INFORMATION!**

The manufacturer is not liable for any damage resulting from improper use or use for other than the intended purpose.

The vortex flowmeters are used for flow measurement of gases, vapours and liquids.

**The devices are particularly suitable for the measurement of:**

- Clean liquids with low viscosity (< 10 cP)
  - Hydrocarbons with low viscosity (< 10 cP)
  - Water
  - Chemicals with low corrosiveness
  - Saturated steam
  - Superheated steam, including CIP and SIP applications in the food industry
- 
- The flow sensors are made from stainless steel 1.4404 / 316L or Hastelloy® C-22.
  - In your project planning, please observe the data given in the corrosion tables.
  - The pressure-bearing parts have been designed and rated for stationary operation taking into account the maximum pressure and temperature.
  - Observe the data indicated on the nameplate for PS, TS and PT.
  - External forces and moments, caused e.g. by pipe stresses, have not been taken into account.

Primarily, volumetric flow and temperature are measured, with pressure measurement as an option. From these parameters the measuring device calculates the mass flow or standard volumetric flow using pre-programmed density data and then exports the measured values via various communication interfaces.

The devices are rated for the following flow velocities:

|                          |                  |                        |           |   |   |
|--------------------------|------------------|------------------------|-----------|---|---|
| Liquids:<br>DN15...DN300 |                  | $V_{\min}$ : 0.3 m/s ③ | 0.98 ft/s | $V_{\min} \text{ [m/s]} = 0.5 \times \sqrt{\frac{998}{\rho}} \quad \rho \left[ \frac{\text{kg}}{\text{m}^3} \right]$              | ① |
|                          |                  | $V_{\max}$ : 10 m/s    | 32 ft/s   | $V_{\max} \text{ [m/s]} = 7 \times \left( \frac{998}{\rho} \right)^{0.47} \quad \rho \left[ \frac{\text{kg}}{\text{m}^3} \right]$ | ② |
| Gases and<br>steam:      | DN15             | $V_{\min}$ : 3 m/s     | 10 ft/s   | $V_{\min} \text{ [m/s]} = 6 \times \sqrt{\frac{1.204}{\rho}} \quad \rho \left[ \frac{\text{kg}}{\text{m}^3} \right]$              | ① |
|                          |                  | $V_{\max}$ : 45 m/s    | 147 ft/s  | $V_{\max} \text{ [m/s]} = 7 \times \left( \frac{998}{\rho} \right)^{0.47} \quad \rho \left[ \frac{\text{kg}}{\text{m}^3} \right]$ | ② |
|                          | DN15C            | $V_{\min}$ : 3 m/s     | 10 ft/s   | $V_{\min} \text{ [m/s]} = 12 \times \sqrt{\frac{1.204}{\rho}} \quad \rho \left[ \frac{\text{kg}}{\text{m}^3} \right]$             | ① |
|                          |                  | $V_{\max}$ : 55 m/s    | 180 ft/s  | $V_{\max} \text{ [m/s]} = 7 \times \left( \frac{998}{\rho} \right)^{0.47} \quad \rho \left[ \frac{\text{kg}}{\text{m}^3} \right]$ | ② |
|                          | DN25             | $V_{\min}$ : 2 m/s     | 6.6 ft/s  | $V_{\min} \text{ [m/s]} = 6 \times \sqrt{\frac{1.204}{\rho}} \quad \rho \left[ \frac{\text{kg}}{\text{m}^3} \right]$              | ① |
|                          |                  | $V_{\max}$ : 70 m/s    | 229 ft/s  | $V_{\max} \text{ [m/s]} = 7 \times \left( \frac{998}{\rho} \right)^{0.47} \quad \rho \left[ \frac{\text{kg}}{\text{m}^3} \right]$ | ② |
|                          | DN25C            | $V_{\min}$ : 2 m/s     | 6.6 ft/s  | $V_{\min} \text{ [m/s]} = 12 \times \sqrt{\frac{1.204}{\rho}} \quad \rho \left[ \frac{\text{kg}}{\text{m}^3} \right]$             | ① |
|                          |                  | $V_{\max}$ : 80 m/s    | 262 ft/s  | $V_{\max} \text{ [m/s]} = 7 \times \left( \frac{998}{\rho} \right)^{0.47} \quad \rho \left[ \frac{\text{kg}}{\text{m}^3} \right]$ | ② |
|                          | DN40...<br>DN300 | $V_{\min}$ : 2 m/s     | 6.6 ft/s  | $V_{\min} \text{ [m/s]} = 6 \times \sqrt{\frac{1.204}{\rho}} \quad \rho \left[ \frac{\text{kg}}{\text{m}^3} \right]$              | ① |
|                          |                  | $V_{\max}$ : 80 m/s    | 262 ft/s  | $V_{\max} \text{ [m/s]} = 7 \times \left( \frac{998}{\rho} \right)^{0.47} \quad \rho \left[ \frac{\text{kg}}{\text{m}^3} \right]$ | ② |

Table 1-3: Flow velocities

- ① Use the larger value, according to the amount.
- ② Use the smaller value, according to the amount.
- ③  $v_{\min} = 0.7 \text{ m/s} / 2.3 \text{ ft/s}$  in SIL mode for liquid application.



**INFORMATION!**

DN15C and DN25C have a robust flow sensor (signal pick-up) for harsh measuring conditions and higher maximum velocity compared to the standard version.



## 1.3 Certifications

CE marking



The device fulfils the statutory requirements of the following EU directives:

- Pressure equipment directive
- EMC directive
- Devices for use in hazardous areas: ATEX directive

as well as

- EN 61010
- NAMUR recommendations NE 21 and NE 43

The manufacturer certifies successful testing of the product by applying the CE marking. An EU declaration of conformity regarding the directives in question and the associated harmonised standards can be downloaded from our internet site.



***DANGER!***

*For devices used in hazardous areas, additional safety notes apply; please refer to the Ex documentation.*



***CAUTION!***

*For devices used in SIL applications, additional safety notes apply.  
For detailed information refer to the "Safety Manual".*

## 1.4 Pressure equipment directive

A conformity assessment in accordance with pressure equipment directive has been carried out for the devices described. Conformity is certified by applying the CE mark. The number of the notified body is also stated.

The PED key describes the rating of the devices:

| Example: PED/G1/III/H |  |
|-----------------------|--|
| G                     | Gases and vapours                                  |
| 1                     | Fluid group 1                                      |
| III                   | Category III                                       |
| H                     | Conformity assessment method according to Module H |

Table 1-4: Example of PED key

The PED key identification can be found on the nameplate of the device (for details refer to *Nameplate* on page 24).



### **INFORMATION!**

*The stated pressures (PS) and temperatures (TS) only apply as refers to the pressure resistance of the sensor body. As regards the functionality of the entire device, further restrictions of the maximum temperature may need to be observed (e.g. ATEX approval). Devices rated below category I due to their size, do not receive the CE mark in the scope of the PED. These devices are subject to applicable sound engineering practice (SEP).*

### **Residual risk**

A risk analysis in accordance with the pressure equipment directive has been carried out for the devices. The residual risk is described as follows:

- The devices are designed according to the valid and applicable rules and standards for static operation and their pressure resistance is calculated for the declared maximum pressure and temperature (no calculation for cyclical change).
- Responsibility for the use of the measuring devices with regard to corrosion resistance of the used materials against the measured fluid lies solely with the operator.
- Don't use abrasive and high viscous media.
- Avoid pulsation and cavitation.
- The maximum allowable ambient temperatures are depending on the device equipment and declared in the technical data.
- The draining of the device will be performed in the same way as the connected pipeline.
- Protect devices from vibration and high-frequency oscillation.
- Implement appropriate measures to counteract external fire hazards

## 1.5 Safety instructions from the manufacturer

### 1.5.1 Copyright and data protection

The contents of this document have been created with great care. Nevertheless, we provide no guarantee that the contents are correct, complete or up-to-date.

The contents and works in this document are subject to copyright. Contributions from third parties are identified as such. Reproduction, processing, dissemination and any type of use beyond what is permitted under copyright requires written authorisation from the respective author and/or the manufacturer.

The manufacturer tries always to observe the copyrights of others, and to draw on works created in-house or works in the public domain.

The collection of personal data (such as names, street addresses or e-mail addresses) in the manufacturer's documents is always on a voluntary basis whenever possible. Whenever feasible, it is always possible to make use of the offerings and services without providing any personal data.

We draw your attention to the fact that data transmission over the Internet (e.g. when communicating by e-mail) may involve gaps in security. It is not possible to protect such data completely against access by third parties.

We hereby expressly prohibit the use of the contact data published as part of our duty to publish an imprint for the purpose of sending us any advertising or informational materials that we have not expressly requested.

### 1.5.2 Disclaimer

The manufacturer will not be liable for any damage of any kind by using its product, including, but not limited to direct, indirect or incidental and consequential damages.

This disclaimer does not apply in case the manufacturer has acted on purpose or with gross negligence. In the event any applicable law does not allow such limitations on implied warranties or the exclusion of limitation of certain damages, you may, if such law applies to you, not be subject to some or all of the above disclaimer, exclusions or limitations.

Any product purchased from the manufacturer is warranted in accordance with the relevant product documentation and our Terms and Conditions of Sale.

The manufacturer reserves the right to alter the content of its documents, including this disclaimer in any way, at any time, for any reason, without prior notification, and will not be liable in any way for possible consequences of such changes.

### **1.5.3 Product liability and warranty**

The operator shall bear responsibility for the suitability of the device for the specific purpose. The manufacturer accepts no liability for the consequences of misuse by the operator. Improper installation or operation of the devices (systems) will cause the warranty to be void. The respective "Standard Terms and Conditions" which form the basis for the sales contract shall also apply.

### **1.5.4 Information concerning the documentation**

To prevent any injury to the user or damage to the device it is essential that you read the information in this document and observe applicable national standards, safety requirements and accident prevention regulations.

If this document is not in your native language and if you have any problems understanding the text, we advise you to contact your local office for assistance. The manufacturer can not accept responsibility for any damage or injury caused by misunderstanding of the information in this document.

This document is provided to help you establish operating conditions, which will permit safe and efficient use of this device. Special considerations and precautions are also described in the document, which appear in the form of icons as shown below.

### 1.5.5 Warnings and symbols used

Safety warnings are indicated by the following symbols.



**DANGER!**

*This warning refers to the immediate danger when working with electricity.*



**DANGER!**

*This warning refers to the immediate danger of burns caused by heat or hot surfaces.*



**DANGER!**

*This warning refers to the immediate danger when using this device in a hazardous atmosphere.*



**DANGER!**

*These warnings must be observed without fail. Even partial disregard of this warning can lead to serious health problems and even death.*



**WARNING!**

*Disregarding this safety warning, even if only in part, poses the risk of serious health problems. There is also the risk of damaging the device or parts of the operator's plant.*



**CAUTION!**

*Disregarding these instructions can result in damage to the device or to parts of the operator's plant.*



**INFORMATION!**

*These instructions contain important information for the handling of the device.*



**LEGAL NOTICE!**

*This note contains information on statutory directives and standards.*



• **HANDLING**

This symbol designates all instructions for actions to be carried out by the operator in the specified sequence.

➔ **RESULT**

This symbol refers to all important consequences of the previous actions.

### 1.6 Safety instructions for the operator



**WARNING!**

*In general, devices from the manufacturer may only be installed, commissioned, operated and maintained by properly trained and authorized personnel.  
This document is provided to help you establish operating conditions, which will permit safe and efficient use of this device.*

## 2.1 Scope of delivery



**INFORMATION!**

Inspect the packaging carefully for damages or signs of rough handling. Report damage to the carrier and to the local office of the manufacturer.



**INFORMATION!**

Do a check of the packing list to make sure that you have all the elements given in the order.



**INFORMATION!**

Look at the device nameplate to ensure that the device is delivered according to your order. Check for the correct supply voltage printed on the nameplate.

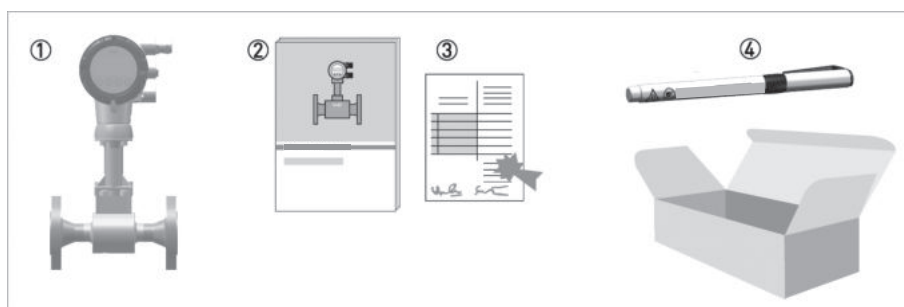


Figure 2-1: Scope of delivery

- ① Measuring device in ordered version
- ② Manual
- ③ Certificates, calibration report and parameter data sheet
- ④ Bar magnet

## 2.2 Device versions

**The devices are delivered in the following variants:**

- Signal converter with display
- Flow sensor in flanged design, flow sensor F
- Flow sensor in sandwich design, flow sensor S
- Remote version - Flow sensor with separated remote signal converter
- Dual version with two flow sensors and two signal converters

**The following designs are available as options:**

- With pressure sensor - with or without shut-off valve
- Flange version, flow sensor with single reduction F1R
- Flange version, flow sensor with double reduction F2R

## 2.2.1 Flange versions

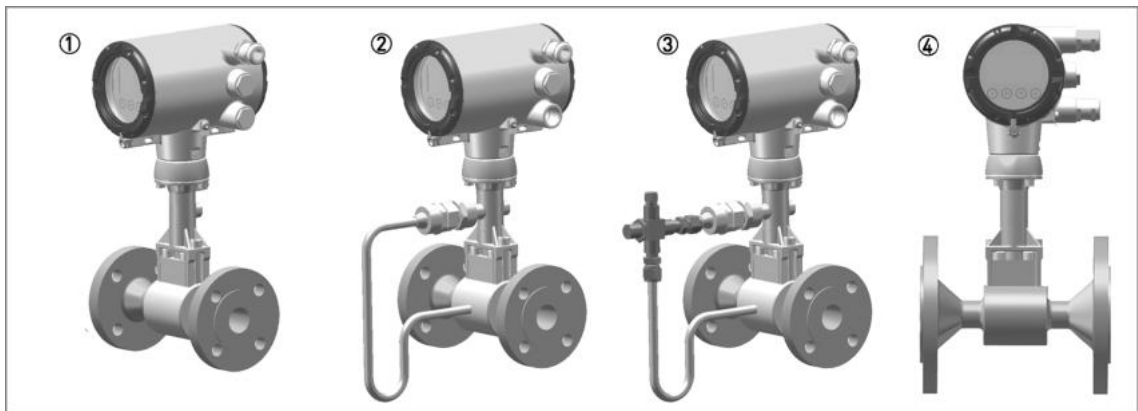


Figure 2-2: Flanged devices with display

- ① Version with temperature sensor
- ② Version with temperature sensor and optional pressure sensor
- ③ Version with temperature sensor, optional pressure sensor and shut-off valve
- ④ Version with temperature sensor, flow sensor with integrated reducer

## 2.2.2 Sandwich versions

The sandwich version features 2 centering rings to aid with installation.

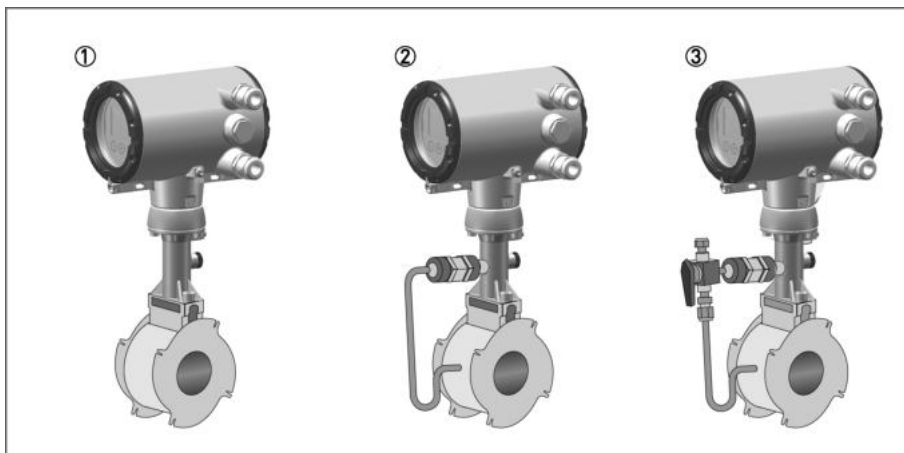


Figure 2-3: Sandwich versions with display

- ① Version with temperature sensor
- ② Version with temperature sensor and optional pressure sensor
- ③ Version with temperature sensor, optional pressure sensor and shut-off valve

### 2.2.3 Dual version and twofold reliability

This is a genuine redundant system with two independent flow sensors and two signal converters.

This provides twofold functional reliability and availability of the measurement. This variant is ideally suited for measurements in multi-product pipelines. In such pipelines, two different products are moved through one after the other. One signal converter can be programmed for one product, and the other signal converter for the other product.



Figure 2-4: Dual version and twofold reliability



## 2.2.4 Remote version

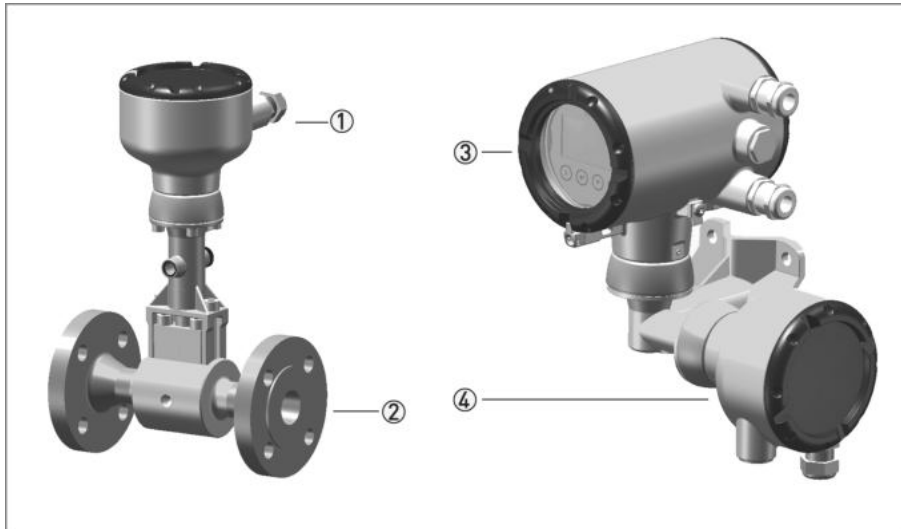


Figure 2-5: Remote version

- ① Flow sensor connection box
- ② Flow sensor
- ③ Signal converter
- ④ Wall mount bracket connection box

With the remote version, the flow sensor and signal converter are installed separately in different places. The 6-pin, shielded connection cable is available with a length up to 50 m / 164 ft.

### 2.2.5 Devices with integrated nominal diameter reduction

The device versions F1R and F2R offer an integrated nominal diameter reduction up to two nominal diameter sizes to assure best results in accuracy and optimum measuring ranges; even in pipelines with large diameters, which have been designed for a low pressure loss.

| Nominal diameter of flow sensor | Nominal size of process connections |       |       |       |       |       |       |       |       |       |
|---------------------------------|-------------------------------------|-------|-------|-------|-------|-------|-------|-------|-------|-------|
|                                 | DN15                                | DN25  | DN40  | DN50  | DN80  | DN100 | DN150 | DN200 | DN250 | DN300 |
| DN15                            | StV ①                               | F1R   | F2R   | -     | -     | -     | -     | -     | -     | -     |
| DN25                            | -                                   | StV ① | F1R   | F2R   | -     | -     | -     | -     | -     | -     |
| DN40                            | -                                   | -     | StV ① | F1R   | F2R   | -     | -     | -     | -     | -     |
| DN50                            | -                                   | -     | -     | StV ① | F1R   | F2R   | -     | -     | -     | -     |
| DN80                            | -                                   | -     | -     | -     | StV ① | F1R   | F2R   | -     | -     | -     |
| DN100                           | -                                   | -     | -     | -     | -     | StV ① | F1R   | F2R   | -     | -     |
| DN150                           | -                                   | -     | -     | -     | -     | -     | StV ① | F1R   | F2R   | -     |
| DN200                           | -                                   | -     | -     | -     | -     | -     | -     | StV ① | F1R   | F2R   |
| DN250                           | -                                   | -     | -     | -     | -     | -     | -     | -     | StV ① | F1R   |
| DN300                           | -                                   | -     | -     | -     | -     | -     | -     | -     | -     | StV ① |

Table 2-1: Integrated nominal diameter reduction

① Standard version

## 2.2.6 Device description

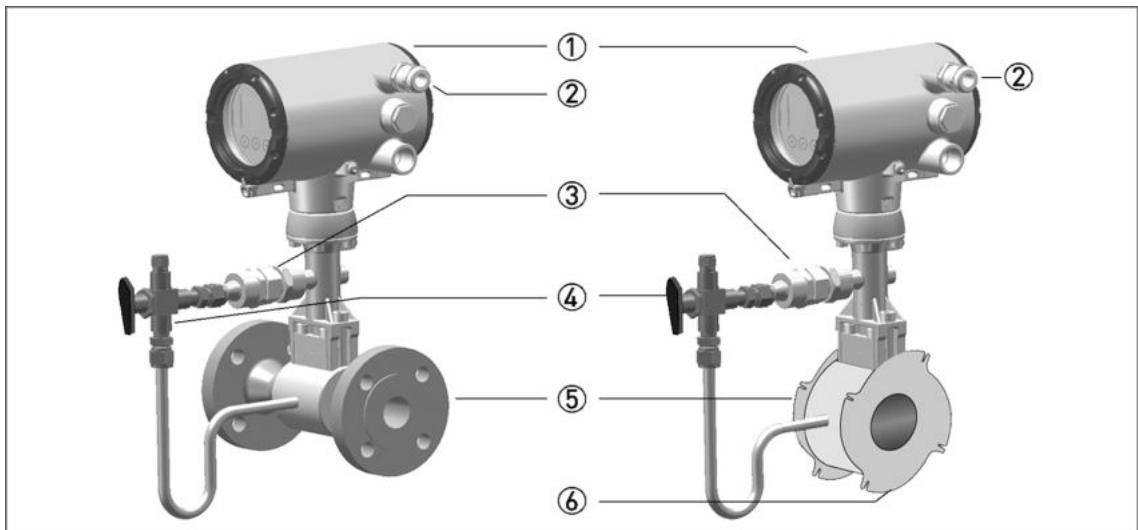


Figure 2-6: Device description

- ① Signal converter
- ② Cable feed through
- ③ Pressure sensor, optional
- ④ Shut-off valve, optional
- ⑤ Flow sensor
- ⑥ Centering ring

### 2.2.7 Free air delivery measurement - FAD (optional)

To create compressed air, a compressor draws in air from the ambient atmosphere, compresses it and delivers it at the required pressure. Since the ambient atmosphere also contains water vapour, the compressor draws in a mixture of air and water vapour. In addition to the moisture in the air, the ambient temperature and pressure conditions on the inlet side and the process conditions on the outlet side also influence the compressor capacity.

That is why most manufacturers specify compressor capacity as free air delivery at standard intake conditions. To compare the capacity of different compressors or to compare the capacity of a compressor at different points in time, the measurement of the air supplied by the compressor must be corrected by the influences of the process and of the environment and converted to these standardised suction conditions.

The vortex flowmeter with optional FAD function (FAD - Free Air Delivery) can measure the free air delivery online, regardless of its function as standard flowmeter. For this the device needs the process and ambient conditions, as well as the compressor data. When installed on the outlet side, it measures the air volume generated by the compressor and the process conditions. The menu-driven, user-friendly software prompts the operator to enter the following values:

- Ambient temperature (inlet)
- Atmospheric pressure (inlet)
- Air humidity (inlet and outlet)
- Motor speed (rated speed and actual speed)
- Pressure loss of the air filter

The FAD value is calculated from the measured and entered parameters using the vapour and compressibility tables stored in the measuring device.



#### **INFORMATION!**

- *For correct FAD measurement the compressor must run at full capacity.*
- *FAD measurement is an optional feature, which can be unlocked subsequently in menu "C6.3 Extras" if not unlocked by order.  
Please contact the manufacturer to obtain the four digit code required to enable this feature.  
For programming example refer to Settings for free air delivery measurement - FAD on page 87.*

### 2.2.8 Gross heat measurement (optional)

This functionality enables the calculation of the heat amount, which is carried by hot water, saturated or superheated steam in energy supply systems without external flow calculators.

The gross heat calculation is based on the temperature-dependent enthalpy of steam or hot water and the mass flow rate. The exact mass flow rate is measured by the vortex flowmeter, and the enthalpy tables are programmed in the device. The gross power flow rate is calculated within the device according to the following formula:

$$\text{Gross power } [Q_H] = \text{mass flow } [Q_m] \times \text{enthalpy } [H]$$

The absolute hot water and steam supply, as well as the energy, can be monitored internally via a totalizer by integration of the measured heat flow over time.



**INFORMATION!**

*Heat quantity calculation is an optional feature, which can be unlocked subsequently in menu "C6.3 Extras" if not unlocked by order. Please contact the manufacturer to obtain the four digit code required to enable this feature.*

*For programming example refer to Gross heat measurement on page 88.*

### 2.2.9 Net heat measurement (optional)

By installing a vortex flowmeter in the inlet line of a particular system section and adding an additional temperature sensor in the return section, the amount of energy, which is consumed by the considered system section can be determined directly by the vortex flowmeter. The temperature value can be fed into the vortex flowmeter either via the current input or via HART®.

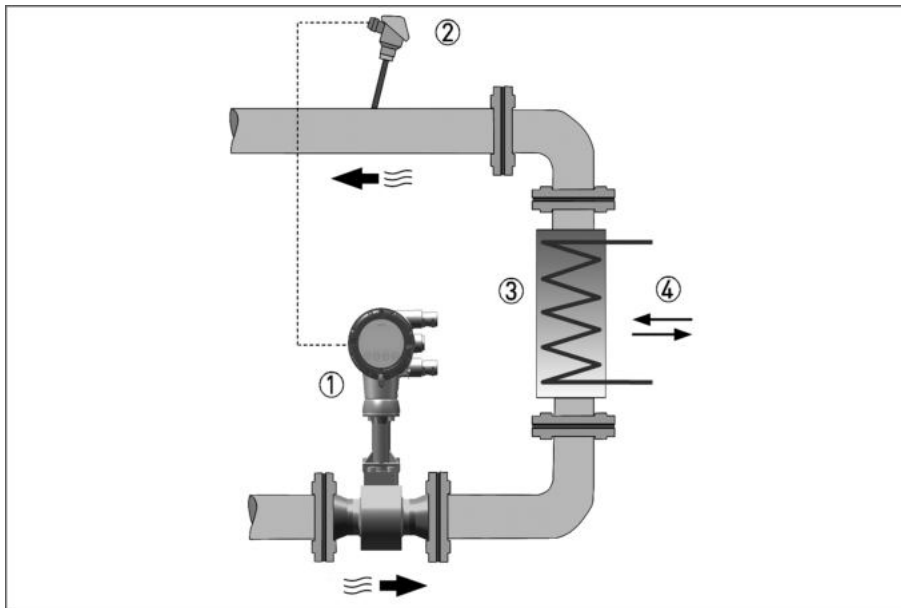


Figure 2-7: Measuring heat difference

- ① Flowmeter with built-in temperature sensor
- ② Temperature sensor
- ③ Heat exchanger
- ④ Heat flow



#### INFORMATION!

- The net heat measurement can be realised for the inlet line media saturated steam, superheated steam and hot water. The medium in the return line must always be water.
- Heat quantity calculation is an optional feature, which can be unlocked subsequently in menu "C6.3 Extras" if not unlocked by order. Please contact the manufacturer to obtain the four digit code required to enable this feature.  
For programming examples refer to Net heat measurement on page 89.

### 2.2.10 Dual seal

To comply with the requirements of ANSI/ISA 12.27.01 "Requirements for Process Sealing Between Electrical Systems and Flammable or Combustible Process Fluids", a membrane vent is integrated in the neck of the device. This vent is located between the primary seal (process) and the secondary seal (electronics compartment) and works to prevent pressure build-up in the device neck, thus preventing product from penetrating the electronics compartment in the unlikely event of a leak in the primary seal.

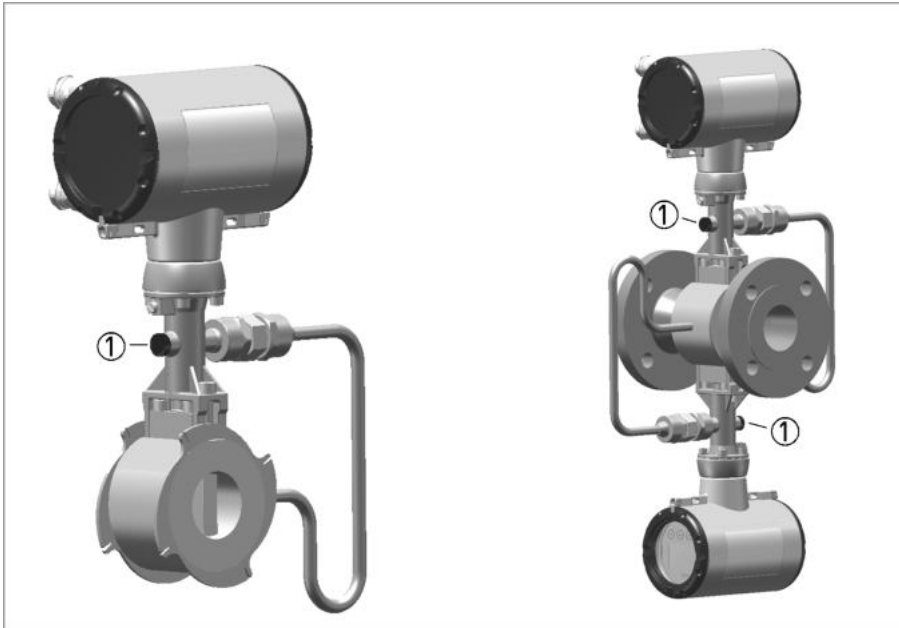


Figure 2-8: Dual seal

① Membrane vent

The seal between the pick-up and the measuring tube is considered as the primary seal. The material used for this is always the same as that used for the measuring tube itself (e.g. 1.4435 / 316L for measuring tube made of stainless steel 1.4404 / 316L or Hastelloy<sup>®</sup> C-276 for measuring tube made of Hastelloy<sup>®</sup> C-22). When selecting the material, corrosion resistance depending on process parameters (product, temperature) must be taken into account. By using the membrane vent, all requirements for a "DUAL SEAL" version in terms of the above mentioned standards are met.

- It protects the electronics from the process media.
- Any leak in the primary seal can be detected.

Even though there is no reason to expect the seal to fail, regular visual checks should still be carried out to detect any possible leak as early as possible.

In the event of a leak, contact the manufacturer's service department to service or replace the device.

## 2.3 Nameplate

**INFORMATION!**

Look at the device nameplate to ensure that the device is delivered according to your order. Check for the correct supply voltage printed on the nameplate.

|                |  |   |              |
|----------------|--|---|--------------|
| ②              |  | ③   |              |
| <b>SIEMENS</b> |  | SIEMENS AG<br>DE-76181 Karlsruhe                            | <b>CE</b>    |
| ①              | <b>SITRANS FX330</b>   | Sensor: F1R   | MD: 2019     |
|                | PA: 012345678.001  |   | DN50 PN100   |
|                | SN: D190000123456789   |   | 1.4435(316L) |
|                | ER 1.1.1P2014  | K-factor: 123,12 Pulse/m3                                   |              |
| ⑦              | KIWA 16 ATEX 0044X<br>II2 G Ex ia IIC T6 ... T2 Gb<br>IECEx KIWA 16.0021X<br>Tamb: -40°C ... +65°C (T6:+40°C)                                | PED/G1/3.3/SEP<br>PTmax: 84 bar<br>PS: 50 bar<br>TS: 200 °C |              |
| ⑧              | C1 / C2 Ui=30V Ii=130mA Pi=1W Ci=10nF Li=0<br>M1(3) / M2(4) Ui=30V Ii=100mA Pi=1W Ci=10nF Li=0<br>I1 / I2 Ui=30V Ii=130mA Pi=1W Ci=15nF Li=0 | Steam<br>4.67353 kg/m3<br>175.4 °C                          |              |
|                | Tag-No.:   | 80 bar  |              |
| ⑨              |  | www.siemens.com   |              |

Figure 2-9: Example of a nameplate for the compact version

- ① Product designation, production order number, serial number and electronic revision (ER)
- ② Manufacturer address
- ③ Flow sensor information  
S - Sandwich  
F - Flange  
F1R - Flange, single reduction  
F2R - Flange, double reduction
- ④ Manufacturing year, connection data, material and K factor
- ⑤ PED data
- ⑥ Fluid data
- ⑦ Ex data according to notified body (only available if this option was ordered)
- ⑧ Electrical connection data
- ⑨ Safety instructions, disposal and data matrix



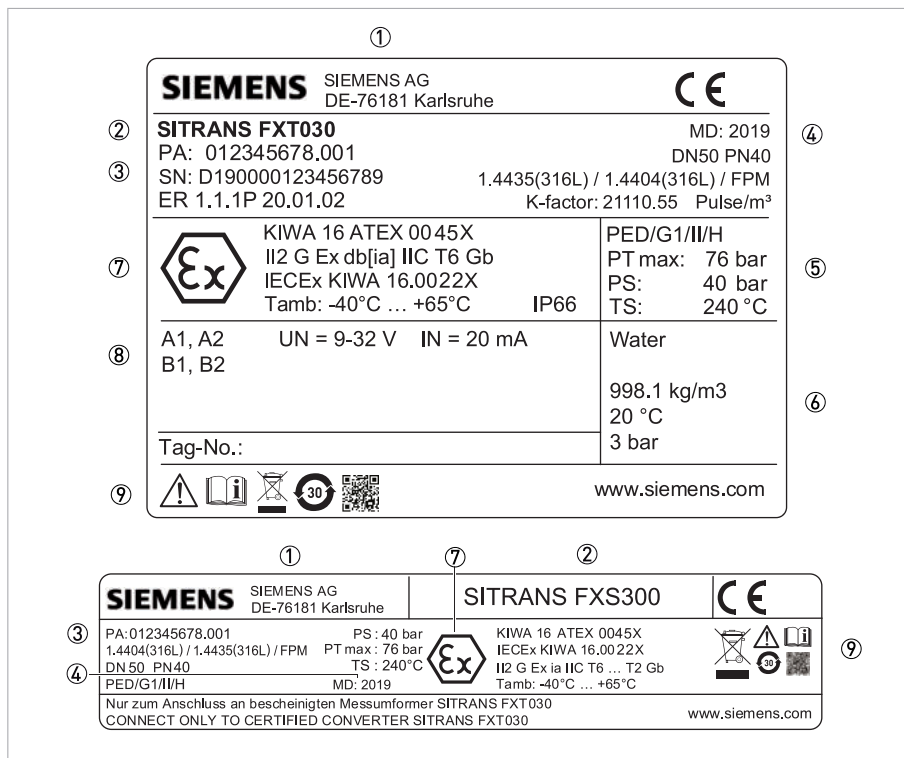


Figure 2-10: Example of a nameplate for the remote version

- ① Manufacturer address
- ② Product designation
- ③ Production order number, serial number and electronic revision (ER)
- ④ Manufacturing year
- ⑤ PED data
- ⑥ Fluid data
- ⑦ Ex data according to notified body (only available if this option was ordered)
- ⑧ Electrical connection data
- ⑨ Safety instructions, disposal and data matrix

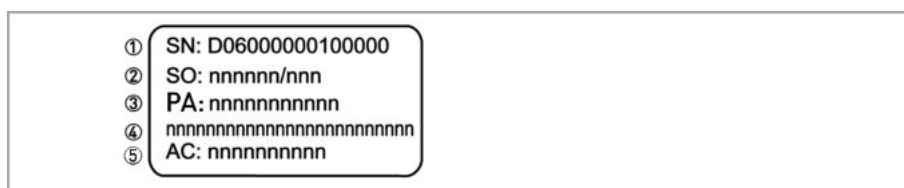


Figure 2-11: Example of additional nameplate

- ① Serial number
- ② Order number
- ③ Production order number
- ④ Product designation
- ⑤ Article code

### 3.1 General notes on installation



**INFORMATION!**

Inspect the packaging carefully for damages or signs of rough handling. Report damage to the carrier and to the local office of the manufacturer.



**INFORMATION!**

Do a check of the packing list to make sure that you have all the elements given in the order.

### 3.2 Storage

- Store the device in a dry, dust-free location.
- Avoid extended direct exposure to the sun.
- Store the device in the original packaging.
- The permissible storage temperature for standard devices is  $-40\dots+85^{\circ}\text{C}$  /  $-40\dots+185^{\circ}\text{F}$ .

### 3.3 Transport

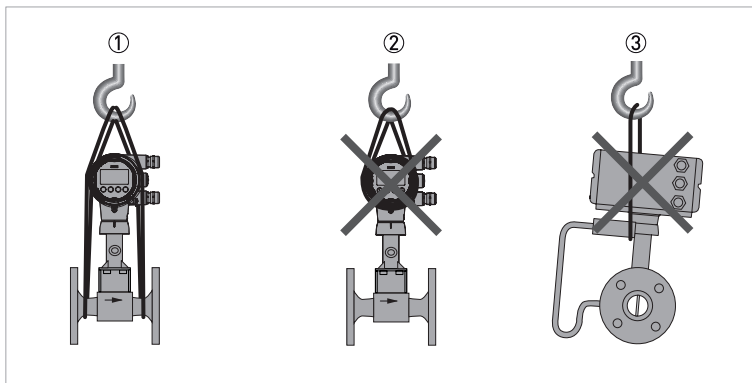


Figure 3-1: Transport instructions

- ① Use lifting straps wrapped around both process connections for transport
- ② Do not lift measuring devices by the signal converter housing for transport
- ③ Never lift the measuring device by the pressure sensor



**CAUTION!**

Do not use lifting chains as they may damage the housing.



**CAUTION!**

Non-secured devices can pose risk of injury. The centre of mass of the device is often higher than the point at which the lifting straps are attached. Prevent the measuring device from sliding or rotating accidentally.

### 3.4 Installation conditions



**INFORMATION!**

*For accurate volumetric flow measurement the measuring device needs a completely filled pipe and a fully developed flow profile.*



**CAUTION!**

*Any vibrations may distort the measuring result. That is why any vibrations in the pipeline must be prevented through suitable measures.*



**CAUTION!**

**Procedures to carry out before installing the device:**

- *Nominal diameter of connection pipe flange = nominal flange diameter of pipe!*
- *Use flanges with smooth holes, e.g. welding neck flanges.*
- *Align carefully the holes of the connecting flange and the flowmeter flange.*
- *Check the compatibility of the gasket material with the process product.*
- *Make sure that the gaskets are arranged concentrically. The flange gaskets must not project into the pipe cross-section.*
- *The flanges have to be concentric.*
- *There must not be any pipe bends, valves, flaps or other internals in the immediate inlet run.*
- *Devices in sandwich version may only be installed using centering rings.*
- *Never install the device directly behind piston compressors or rotary piston meters.*
- *The device must not be heated by radiated heat (e.g. exposure to the sun) to an electronics housing surface temperature above the maximum permissible ambient temperature. If it is necessary to prevent damage from heat sources, a heat protection (e.g. sun shade) has to be installed.*
- *Do not lay signal cables directly next to cables for the power supply.*
- *At product temperatures or ambient temperatures  $>+65^{\circ}\text{C}$  /  $+149^{\circ}\text{F}$ , a connection cable and cable glands with a minimum service temperature of  $+80^{\circ}\text{C}$  /  $+176^{\circ}\text{F}$  must be used.*



**INFORMATION!**

*If there is a risk of water hammers in steam networks, appropriate condensate separators must be installed. Suitable measures must be taken to avoid water cavitation if it is a possible risk.*



**INFORMATION!**

*The pressure sensor must be protected against ambient effects of frost.*

## 3.4.1 Installation when measuring liquids

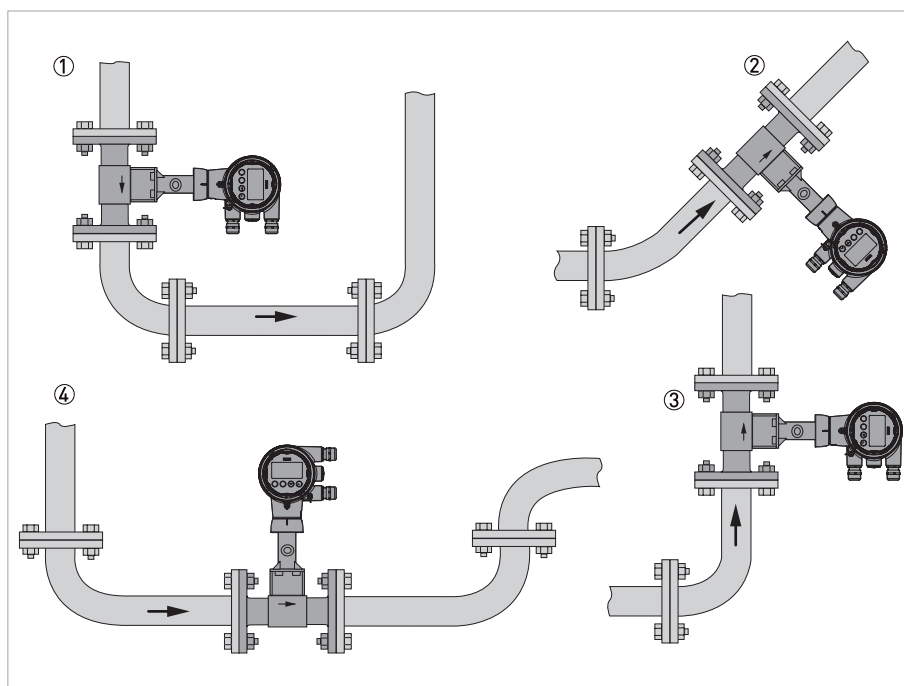


Figure 3-2: Recommended installation

- ① If the device is installed in a downpipe, a standpipe must be installed immediately after it
- ② Installing the device in an inclined standpipe
- ③ Installing the device in a vertical standpipe
- ④ Installing the device in the lower pipe bend

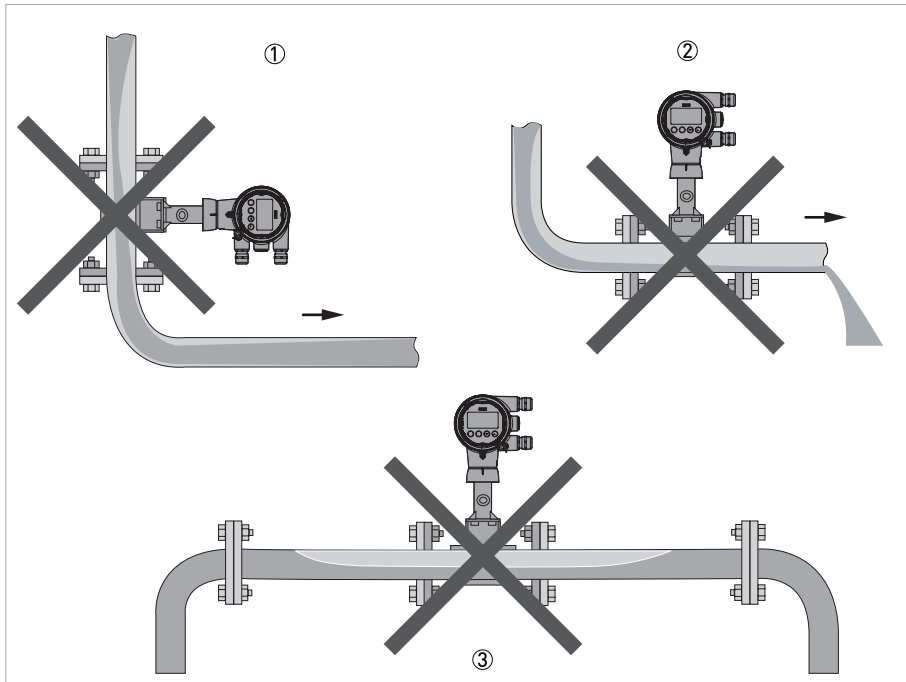


Figure 3-3: Not recommended installation

- ① Installing the device in a downstream pipe
- ② Installing the device in an upstream pipe of an outlet
- ③ Installing the device in an upper pipe bend due to risk of gas bubbles forming



**CAUTION!**

- Installing the device in a downstream pipe ① or upstream pipe of an outlet ②, there is a risk of partially filled pipes leading to inaccurate measurements.
- Installing the device in an upper pipe bend ③, there is a risk of gas bubbles forming. Gas bubbles can lead to pressure surges and inaccurate measurement.

## 3.4.2 Installation when measuring steam and gases

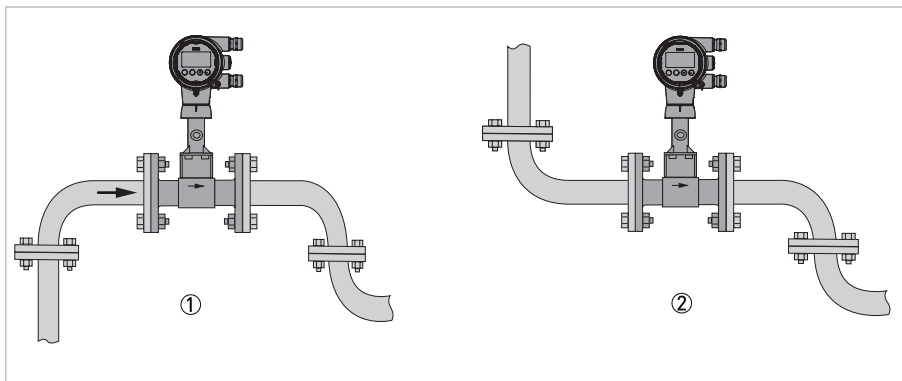


Figure 3-4: Recommended installation

- ① Installing the device in an upper pipe bend
- ② If the device is installed in a downpipe, a downpipe must be installed immediately after it

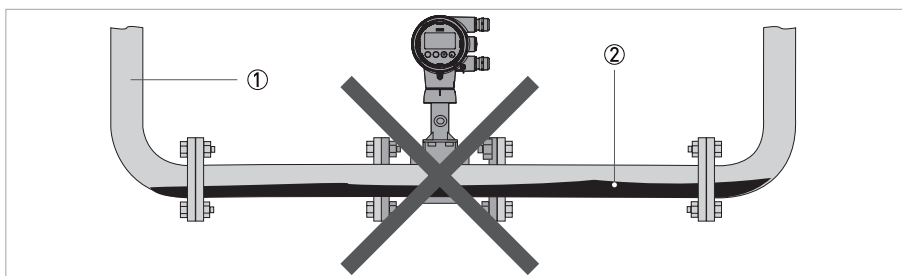


Figure 3-5: Not recommended installation

- ① Lower pipe bends
- ② Condensate

**CAUTION!**

*Installing the device in a lower pipe bend: there is a risk of condensate forming. Condensate can lead to cavitation and inaccurate measurement. Under certain circumstances the device can be destroyed and the measured medium can leak.*

### 3.4.3 Pipelines with control valve



#### **INFORMATION!**

To ensure smooth and correct measurement, the manufacturer recommends not installing the measuring device downstream from a control valve. This would run the risk of vortex formation, which would distort the measuring result.

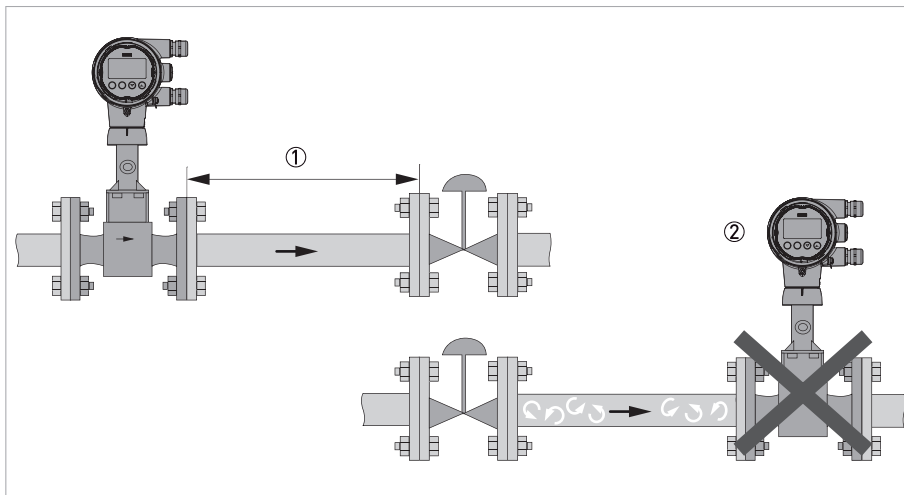


Figure 3-6: Pipelines with control valve

- ① Recommended: installing the device before the control valve at a distance of  $\geq 5$  DN
- ② Not recommended: installing the device directly downstream of control valves, due to vortex formation

### 3.4.4 Preferred mounting position

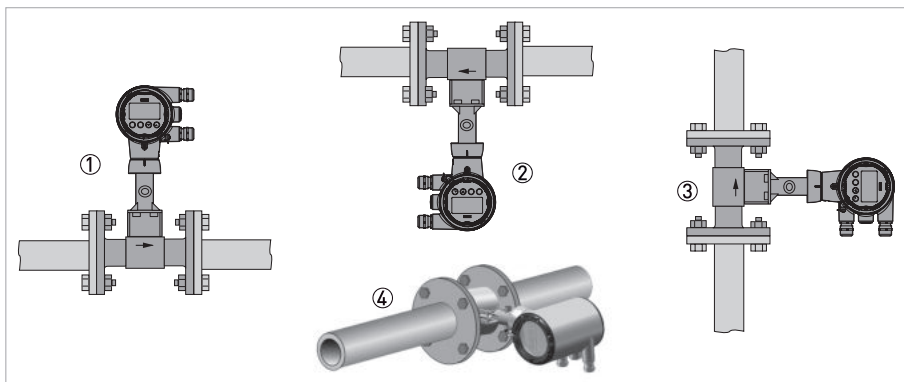


Figure 3-7: Preferred mounting position

- ① Above a horizontal pipe
- ② Underneath a horizontal pipe (not permitted with lines at risk of condensate forming)
- ③ On a vertical pipe
- ④ Horizontal pipeline with signal converter-orientation  $90^\circ$  to the side



#### **INFORMATION!**

Depending on the installation position, you may have to rotate the display and/or the connection housing.

## 3.5 Minimum inlet sections

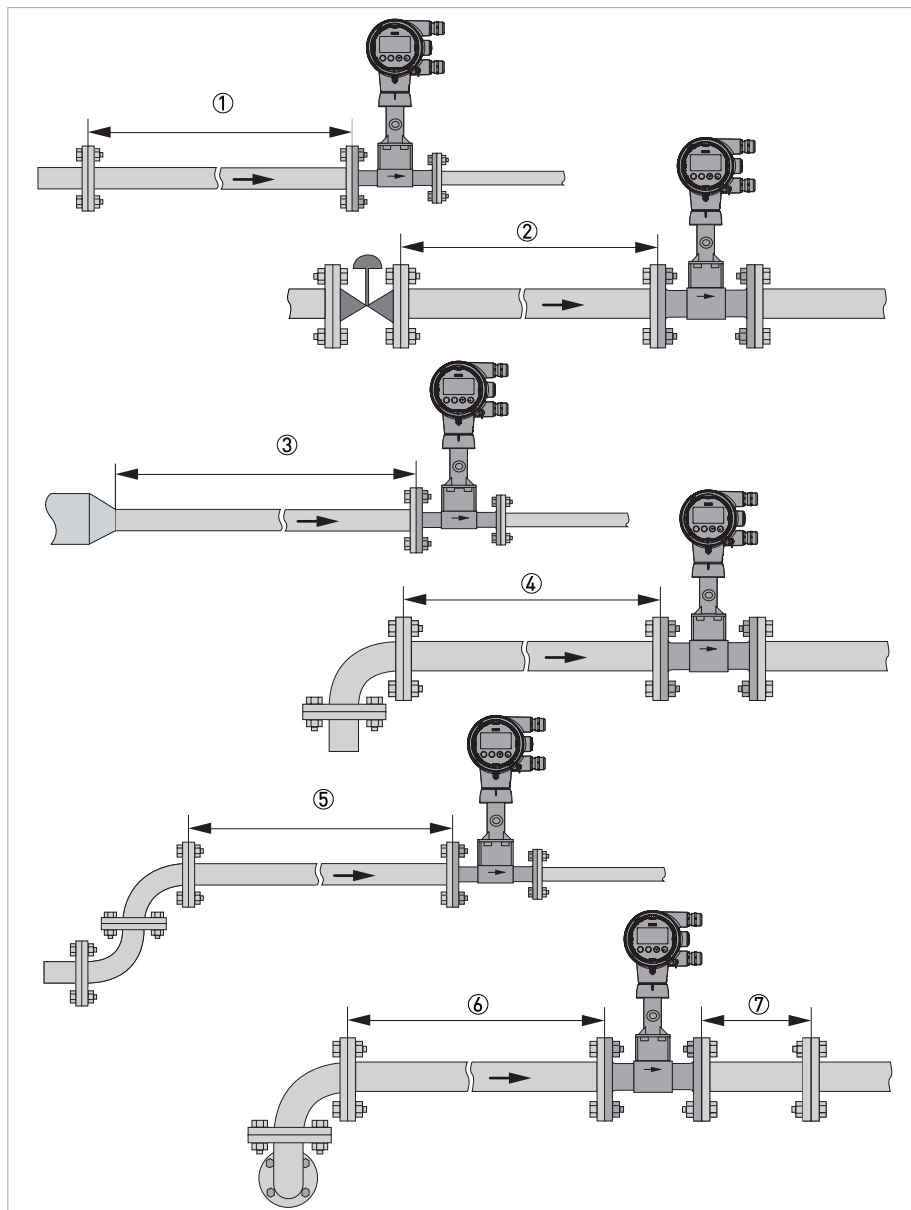


Figure 3-8: Minimum inlet sections

- ① General inlet section without disturbing flow  $\geq 15$  DN
- ② After a control valve  $\geq 50$  DN
- ③ After a pipe diameter reduction  $\geq 20$  DN
- ④ After a single bend  $90^\circ \geq 20$  DN
- ⑤ After a double bend  $2 \times 90^\circ \geq 30$  DN
- ⑥ After a double three-dimensional bend  $2 \times 90^\circ \geq 40$  DN
- ⑦ Outlet section  $> 5$  DN



**INFORMATION!**

The nominal diameter of the flange is significant for the determination of the minimum inlet and outlet sections for the nominal diameter reduced versions of vortex flowmeter versions F1R and F2R.



### 3.6 Minimum outlet sections

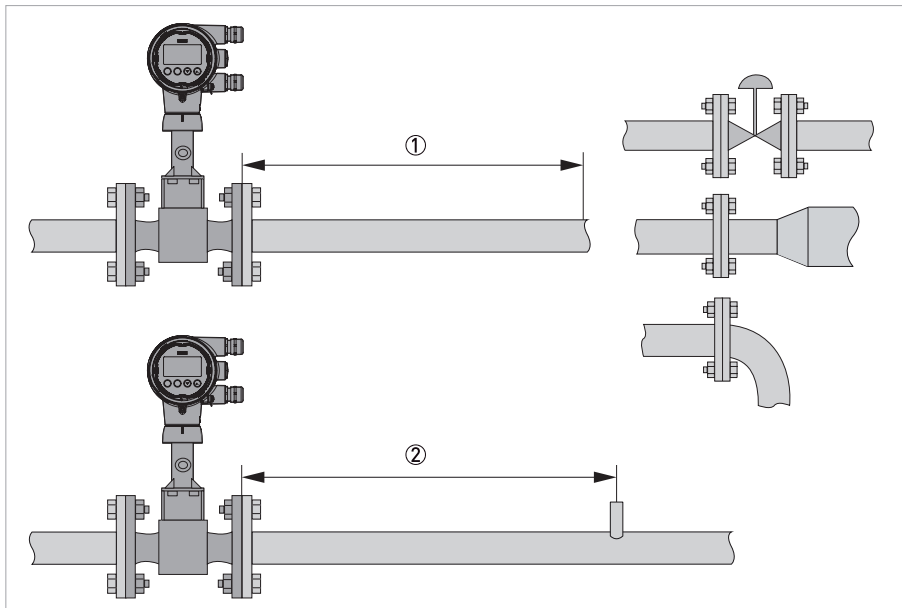


Figure 3-9: Minimum outlet sections

- ① Upstream of pipe expanders, pipe bends, control valves, etc.  $\geq 5$  DN
- ② Upstream of measuring points  $\geq 5$  DN



#### **INFORMATION!**

The interior of the pipe at the metering points must be free of burrs and other flow impediments. The measuring device has an internal temperature sensor. The distance from external temperature measuring points must be  $\geq 5$  DN. Use flow sensors that are as short as possible to avoid disturbances of the flow profile.

### 3.7 Flow straightener

If, due to the type of installation, the required inlet sections are not available, the manufacturer recommends using flow straighteners. Flow straighteners are installed between two flanges upstream of the device and shorten the required inlet section.

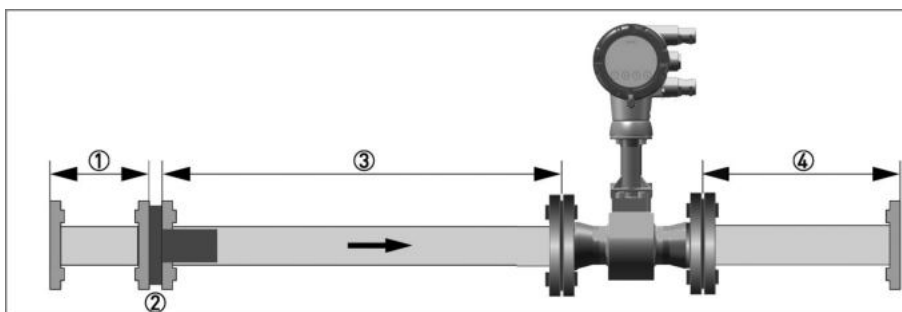


Figure 3-10: Flow straightener

- ① Straight inlet section upstream of straightener  $\geq 2$  DN
- ② Flow straightener
- ③ Straight pipe run between flow straightener and device  $\geq 8$  DN
- ④ Minimum straight outlet section  $\geq 5$  DN

## 3.8 Installation

### 3.8.1 General installation notes



**CAUTION!**

Installation, assembly, start-up and maintenance may only be performed by appropriately trained personnel. The regional occupational health and safety directives must always be observed.



**The following procedures have to be carried out before installing the device:**

- Ensure that the gaskets have the same diameter as the pipelines.
- Note the correct flow direction for the device. This is indicated by an arrow on the neck of the flow sensor.
- On measuring points with varying thermal loads, the devices have to be mounted with stress bolts (DIN 2510).
- Stress bolts or bolts and nuts are not included in the scope of delivery.
- Ensure that the measuring flange is concentrically fitted.
- Note the exact installation length of the measuring device when preparing the measuring point.

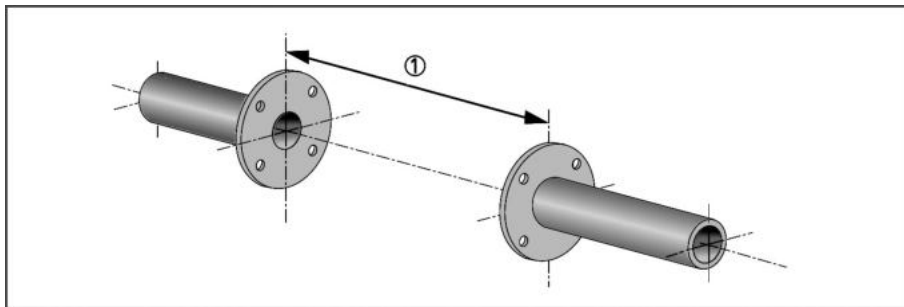


Figure 3-11: Preparing the metering point

- ① Installation length of measuring device + thickness of gaskets



**CAUTION!**

The internal diameter of the pipelines, the flow sensor and the gaskets must match. The gaskets may not protrude into the flow.

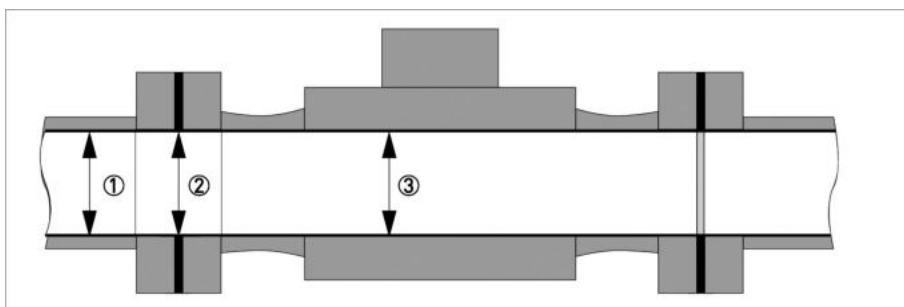


Figure 3-12: Inner diameter

- ① Inner diameter of connection pipe  
 ② Inner diameter of flange and gasket  
 ③ Inner diameter of flow sensor

### 3.8.2 Installing devices in sandwich design

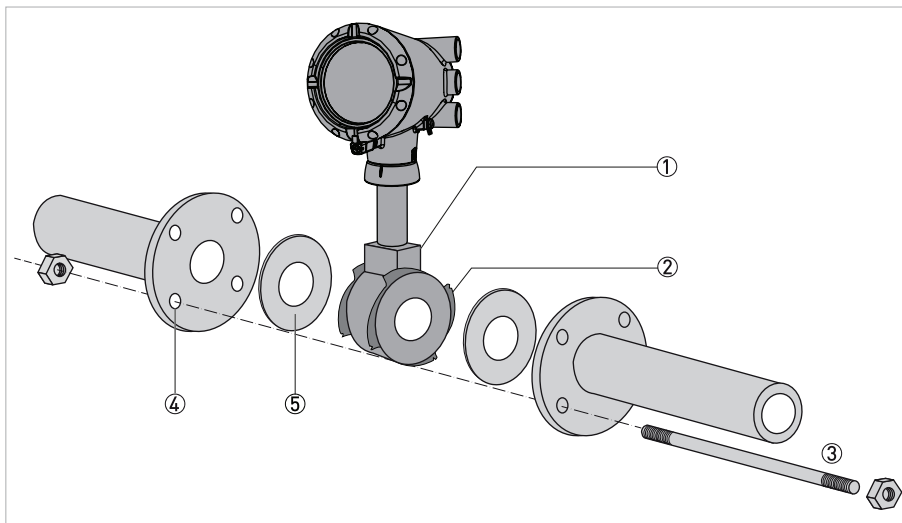


Figure 3-13: Installation using centering ring

- ① Flow sensor
- ② Centering ring
- ③ Bolts with fixing nuts
- ④ Drill hole
- ⑤ Sealing



- Push the first bolt ③ through the hole ④ of both flanges.
- Screw on the nuts and washers to both ends of the bolt ③ but do not tighten them.
- Install the second bolt through the holes ④.
- Place the flow sensor ① between the two flanges.
- Insert the gaskets ⑤ between flow sensor ① and flanges and align them.
- Check that the flange is concentric.
- Install the remaining bolts, washers and nuts. Do not yet tighten the nuts.
- Turn the centering ring ② in a counter-clockwise direction and align the device.
- Check that the gaskets ⑤ are concentric; they must not protrude into the pipe cross-section.
- Now tighten all nuts bit by bit alternately across the diagonal.

## 3.8.3 Installing devices in flange design

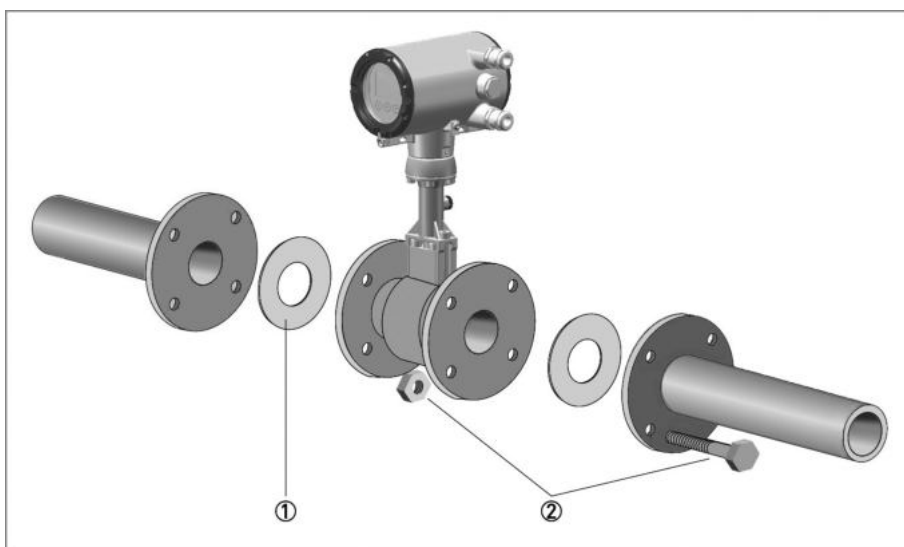


Figure 3-14: Installing devices in flange design

- ① Sealing
- ② Bolts with fastening nuts



- Use bolts and fastening nuts ② to attach the measuring device to one side of the flange.
- While doing so, insert the gaskets ① between flow sensor and flange and align them.
- Check that the gasket is concentric and that it is not protruding into the pipe cross-section.
- Install the gasket, bolts and fastening nuts on the other side of the flange.
- Align the measuring device and the gaskets so they are concentric.
- Now tighten all nuts bit by bit alternately across the diagonal.

### 3.8.4 Mounting the field housing, remote version



#### INFORMATION!

Assembly materials and tools are not part of the delivery. Use the assembly materials and tools in compliance with the applicable occupational health and safety directives.

#### Pipe mounting

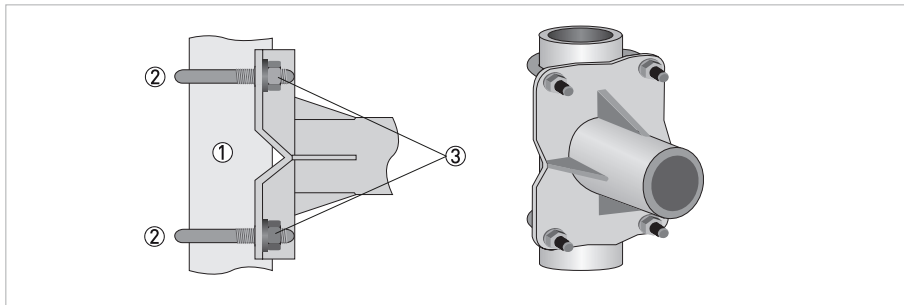


Figure 3-15: Pipe mounting of the field housing



- ① Fix the signal converter to the pipe.
- ② Fasten the signal converter using standard U-bolts and washers.
- ③ Tighten the nuts.

#### Wall mounting

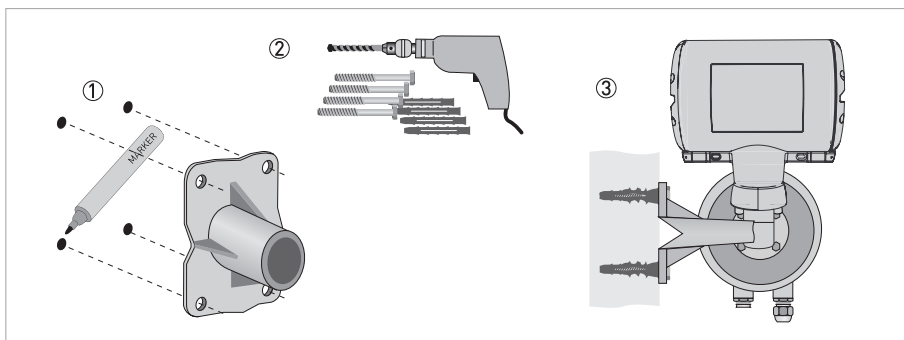


Figure 3-16: Wall mounting of the field housing



- ① Prepare the holes with the aid of the mounting plate.
- ② Use the mounting material and tools in compliance with the applicable occupational health and safety directives.
- ③ Fasten the housing securely to the wall.



#### INFORMATION!

Signal converters with a wall mounting rack have to be mounted with screws ( $\varnothing 8$  mm / 0.3") or with U-brackets ( $\varnothing 8$  mm / 0.3") in case of pole installation. In case of mounting directly to the wall, a mounting system with a minimum load force of 0.1 kN (for example FISCHER type UX10) suitable for the background has to be applied.

### 3.9 Heat insulation



**CAUTION!**

For applications with medium temperatures above  $+160^{\circ}\text{C}$  /  $+320^{\circ}\text{F}$  an insulation of the pipeline in accordance to the insulation guideline is suggested. Avoid higher electronic temperatures than  $+80^{\circ}\text{C}$  /  $+176^{\circ}\text{F}$ .

The area above the signal converter support must not be heat-insulated.

The heat insulation ③ may only extend to the maximum height ① shown below.

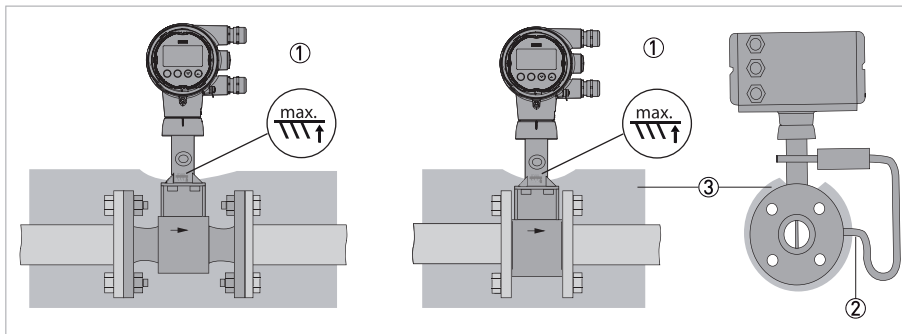


Figure 3-17: Mounting of the heat insulation

- ① Max. height of the insulation up to the marking on the neck of the flow sensor
- ② Max. thickness of the insulation up to the bend of the pressure pipe
- ③ Insulation



**CAUTION!**

The heat insulation ③ may only extend as far as the bend of the pressure sensing line ②.

### 3.10 Turning the connection housing

**DANGER!**

All work on the device electronics may only be carried out by appropriately trained personnel. The regional occupational health and safety directives must always be observed.

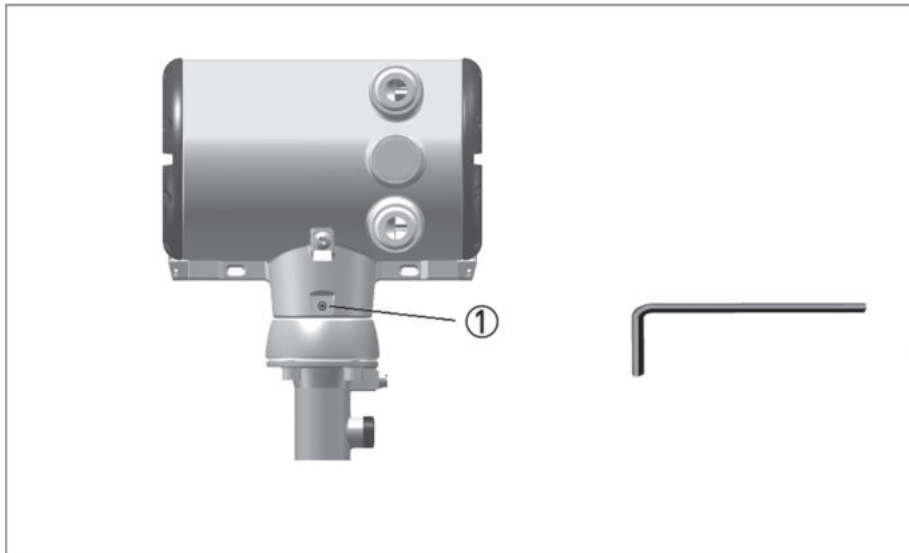


Figure 3-18: Turning the connection housing

① M4 Allen screw on connection housing



- Loosen the M4 Allen screw ① on the side of the connection housing.
- Rotate the connection housing to the desired position (0...<360°).
- Tighten the M4 Allen screw ① again.

## 3.11 Turning the display

**DANGER!**

All work on the device electronics may only be carried out by appropriately trained personnel. The regional occupational health and safety directives must always be observed.

**INFORMATION!**

If the measuring device is installed in a vertical pipe, you will have to turn the display by 90°; if installed below a pipe, turn 180°.

**INFORMATION!**

The display can be turned in increments of 90° to four positions.

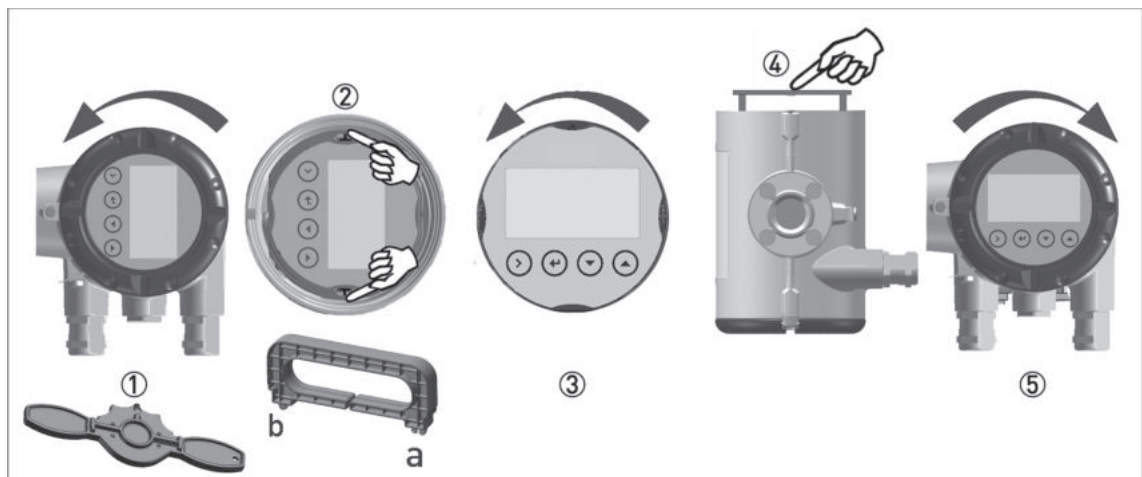


Figure 3-19: Turning the display

**Turn the display as follows:**

- Disconnect the power supply from the measuring device.
- Unscrew the housing cover with the key ①.
- Please use the handle to pull out the display module.
- First put the handle on side "a" and then on side "b" of the display, and then pull out the display ② carefully. Turn it into the favoured position ③.
- Disconnect the display from the handle first on side "a" and then on side "b".
- Press the display onto the spacer pins ④, until it clicks.
- Turn the cover with gasket ⑤ back onto the housing and tighten it by hand.

**INFORMATION!**

Before closing the housing cover refer to *Maintaining the O-rings* on page 98.



## 4.1 Safety instructions

**DANGER!**

*All work on the electrical connections may only be carried out with the power disconnected. Take note of the voltage data on the nameplate (for details refer to Nameplate on page 24).*

**DANGER!**

*Observe the national regulations for electrical installations!*

**DANGER!**

*For devices used in hazardous areas, additional safety notes apply; please refer to the Ex documentation.*

**WARNING!**

*Observe without fail the local occupational health and safety regulations.*

*Any work done on the electrical components of the measuring device may only be carried out by properly trained specialists.*

**INFORMATION!**

*Look at the device nameplate to ensure that the device is delivered according to your order. Check for the correct supply voltage printed on the nameplate.*

## 4.2 Connecting the signal converter

**DANGER!**

All work on the electrical connections may only be carried out with the power disconnected.  
Take note of the voltage data on the nameplate!

**INFORMATION!**

When using the binary output M1...M4 as pulse output and frequencies above 100 Hz, shielded cables are to be used in order to reduce effects from electrical interferences (EMC).

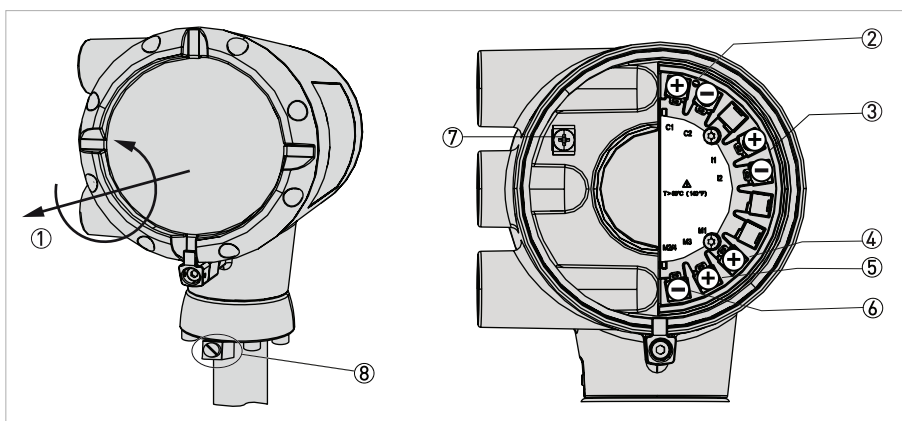


Figure 4-1: Connecting the signal converter

- ① Open the housing cover of the electrical terminal compartment using the key
- ② Signal converter supply and 4...20 mA loop
- ③ 4...20 mA current input, - external transmitter, optional
- ④ Terminal M1 binary (high current)
- ⑤ Terminal M3 binary (NAMUR)
- ⑥ Terminal M2/4 binary, common minus connection
- ⑦ Ground terminal in housing
- ⑧ Ground terminal on connection piece between flow sensor and signal converter

**INFORMATION!**

Both grounding terminals ⑦ and ⑧ are equally effective from a technical point of view.

**Steps for connecting the signal converter:**

- Unscrew the housing cover ① of the electrical terminal compartment.
- Feed the connection cable through the cable entry in the housing.
- Connect the cable according to the terminal diagrams below.
- Connect the grounding to the terminal ⑦. Alternatively use the ground terminal ⑧ on the connection piece between the flow sensor and the signal converter.
- Tighten the cable glands.
- Turn the housing cover and gasket back onto the housing and tighten it by hand.

**INFORMATION!**

Ensure that the housing gasket is properly fitted, clean and undamaged.  
Before closing the housing cover refer to Maintaining the O-rings on page 98.

## 4.3 Electrical connections

The signal converter is a 2-wire device with 4...20 mA as output signal. All other inputs and outputs are passive and always require an additional power supply.

### 4.3.1 Power supply

All versions are intended for connection to limited-energy circuits of max. 36 VDC / 4 A.



#### **INFORMATION!**

The supply voltage has to be between 12 VDC and 36 VDC (12...30 VDC for Ex). This is based on the total resistance of the measuring loop. To calculate this, the resistance of each component in the measuring loop (not including the device) must be added up.

The required supply voltage can be calculated using the formula below:

$$U_{\text{ext.}} = R_L \cdot 22 \text{ mA} + 12 \text{ V}$$

with

$U_{\text{ext.}}$  = minimum supply voltage

$R_L$  = total measuring loop resistance



#### **INFORMATION!**

The power supply has to be able to supply a minimum of 22 mA.

### 4.3.2 Current output

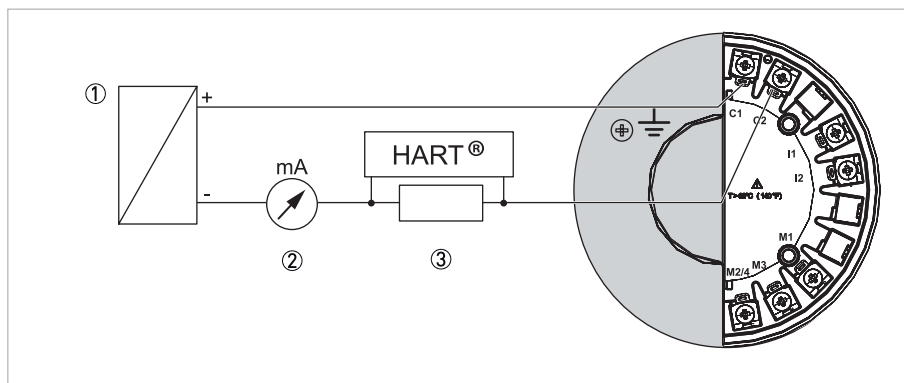


Figure 4-2: Electrical connection current output

- ① Power supply for current output
- ② Optional display unit ( $R_L$ )
- ③ Load for HART®  $\geq 250 \Omega$

Connect current loop 4..20 mA to terminals C1+ and C2-.

When connection cables are long, a shielded or twisted cable may be necessary. The cable shield may only be grounded at one place (e.g. on the power supply unit).

### 4.3.3 Current input

An external transmitter, e.g. temperature or pressure transmitter, can be connected to terminals I1+ and I2-. The 4...20 mA current signal is converted to the corresponding temperature or pressure value in the signal converter.

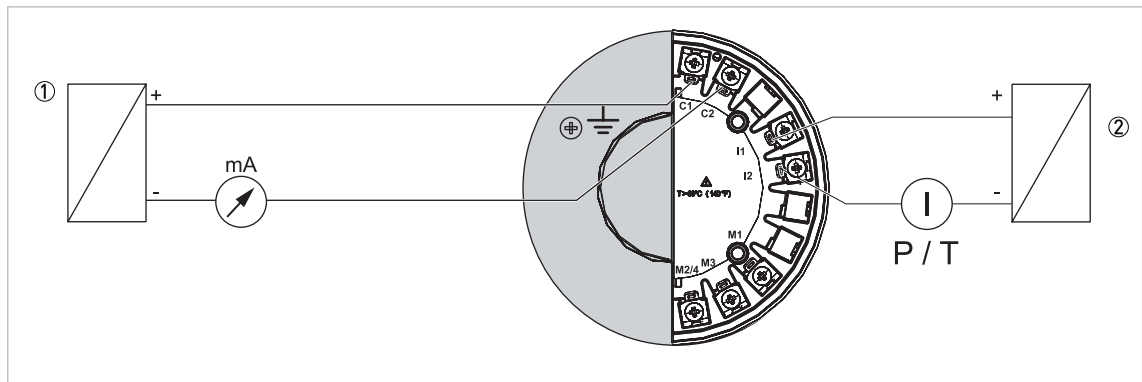


Figure 4-3: Electrical connection current input

- ① Power supply for the signal converter
- ② Power supply for an external temperature or pressure transmitter

The current input can be configured in menu C1.5. Depending on the configuration of the current input, the sources for temperature and/or pressure value have to be adjusted in menu C1.6 or C1.7.

### 4.3.4 Binary output

Unless otherwise ordered, the binary output is inactive by default and must thus be activated and configured as limit switch output, pulse output, frequency output or status output in menu C2.2 prior to first use. The binary output is electrically separated from the current output and must be supplied with power separately.

### 4.3.5 Limit switch output

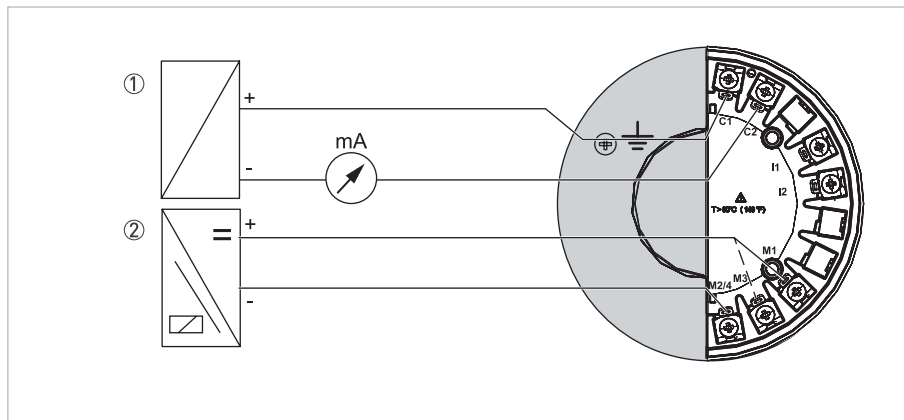


Figure 4-4: Connection of binary output

- ① Power supply  $U_{ext}$ .
- ② Isolated switching amplifier



#### **INFORMATION!**

Binary output  $M_x$  can only be operated if the loop supply 4...20 mA is applied to the terminals C1+ and C2-. The binary output is inactive by default and must thus be activated in menu C2.2 prior to first use.

#### Connection of binary output

In accordance with the desired signal transmission, select one of the following connection types for binary output M:

- M2/4 and M3 - NAMUR (DC interface in accordance with EN 60947-5-6)
- M2/4 and M1 - Transistor output (passive, open collector)

| Terminal                     | M1  | M3  | M2/4   |
|------------------------------|---|---|--------|
| Connection NAMUR             |   | + (open collector, $R_i \sim 1 \text{ k}\Omega$ ) | Common |
| Connection transistor output | + (open collector, $I_{max} < 100 \text{ mA}$ ) |   | Common |

Table 4-1: Terminal connection

|                             | N/C contact ① | N/O contact ② |
|-----------------------------|---------------|---------------|
| Switching value reached     | < 1 mA        | > 3 mA        |
| Switching value not reached | > 3 mA        | < 1 mA        |

Table 4-2: Value range for NAMUR

① C2.2.6 Invert Signal On

② C2.2.6 Invert Signal Off

Value range applies only when connected to a switching amplifier with the following reference values:

- Open-circuit voltage  $U_0 = 8.2$  VDC
- Internal resistance  $R_i = 1$  k $\Omega$

|                | $U_L$   | $I_L$    | $U_H$     | $I_H$       |
|----------------|---------|----------|-----------|-------------|
| via load $R_L$ | 0...2 V | 0...2 mA | 16...30 V | 20...100 mA |

Table 4-3: Value range for transistor output

To ensure the value ranges, a load  $R_L$  between 250  $\Omega$  and 1 k $\Omega$  is recommended for the passive transistor output with a nominal voltage of 24 VDC. If other loads are used, caution is advised as the range of values of the signal voltages then no longer corresponds to the range of values for the inputs of process control systems and controls (DIN IEC 946).

**CAUTION!**

*The upper limit of the signal current must not be exceeded as this may damage the transistor output.*

For selection of measurement variable and adjustable data of the limit switch refer to chapter "Menu description C - Setup", menu "C2.2.5 Limit Switch" and appropriate submenus.

### 4.3.6 Pulse output / Frequency output

The maximum frequency of both pulse output and frequency output is 1000 Hz.

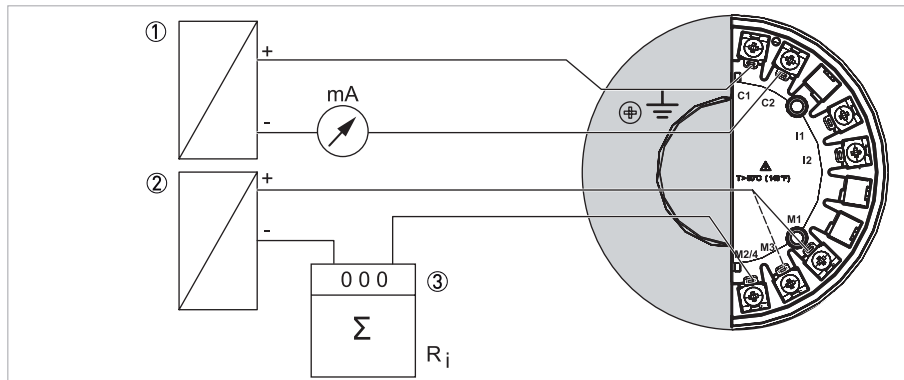


Figure 4-5: Electrical connection pulse output

- ① Signal converter power supply
- ② Pulse output power supply
- ③ Pulse counter or frequency meter

The connection is made between terminal M2/4 Common (-) and M1 for Hi Current (+) or M3 NAMUR (+). Only one of the two connections M1 or M3 can be selected in menu C2.2. The output is selected as pulse or frequency output in menu C2.2.

The output is a passive "open collector" output which is electrically separated from the current interface and the flow sensor. It requires its own power supply ②. The total resistance must be adapted so that the total current  $I_{tot}$  does not exceed 120 mA.

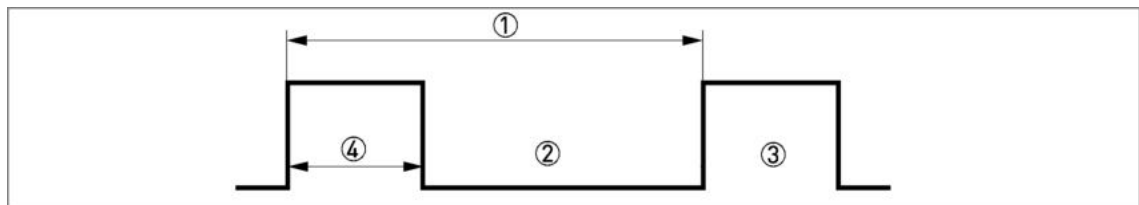


Figure 4-6: Pulse output signal definition

- ①  $T_{max}$
- ② Closed
- ③ Open
- ④ Pulse width  $\geq 0.5$  ms

For selection of measurement variable and adjustable data of the pulse or frequency output refer to chapter "Menu description C - Setup", menu "C2.2.2 Pulse Output" or menu "C2.2.3 Frequency Output" and appropriate submenus.



#### **INFORMATION!**

*Make sure the pulse width is in line with the pulse rate.*

### 4.3.7 Status output

The + pole of the high current output is on the M1 terminal connection. The + pole of the NAMUR output is on the M3 connection terminal. Terminal M2/4 is the common - pole of the status output.

| High current terminal M1...M2/4 |   |                                     |
|---------------------------------|---|-------------------------------------|
| Open                            | Maximum voltage $U_{\max} = 36 \text{ VDC}$ | Closed current $I_R < 1 \text{ mA}$ |
| Closed                          | Maximum current $I_{\max} = 100 \text{ mA}$ | Voltage $U < 2 \text{ VDC}$         |

| NAMUR terminal M3...M2/4 |                             |
|--------------------------|-----------------------------|
| $R_T = 900 \Omega$       | $U_{\max} = 36 \text{ VDC}$ |

Table 4-4: Technical data of terminals

For selection of status function and adjustable data of the status output refer to chapter "Menu description C - Setup", menu "C2.2.4 Status Output" and appropriate submenus.

## 4.4 Connection of remote version

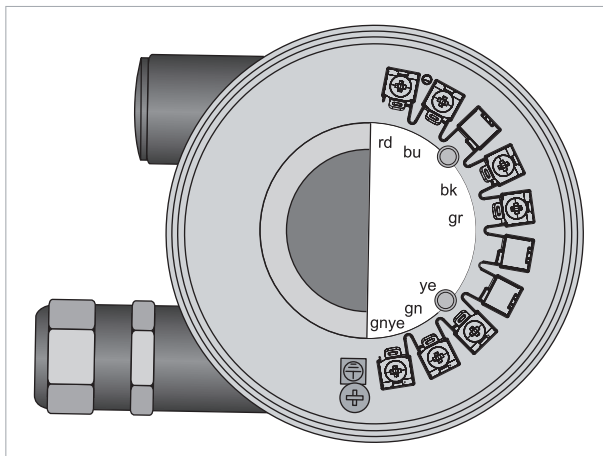


Figure 4-7: Connection terminals of remote version

The connection terminals in the connection box of the flow sensor and the wall bracket are identical in construction.

| Terminals | Strand colour |
|-----------|---------------|
| rd        | red           |
| bu        | blue          |
| bk        | black         |
| gr        | grey          |
| ye        | yellow        |
| gn        | green         |
| gnye      | Shielding     |

Table 4-5: Connection cable strand colour



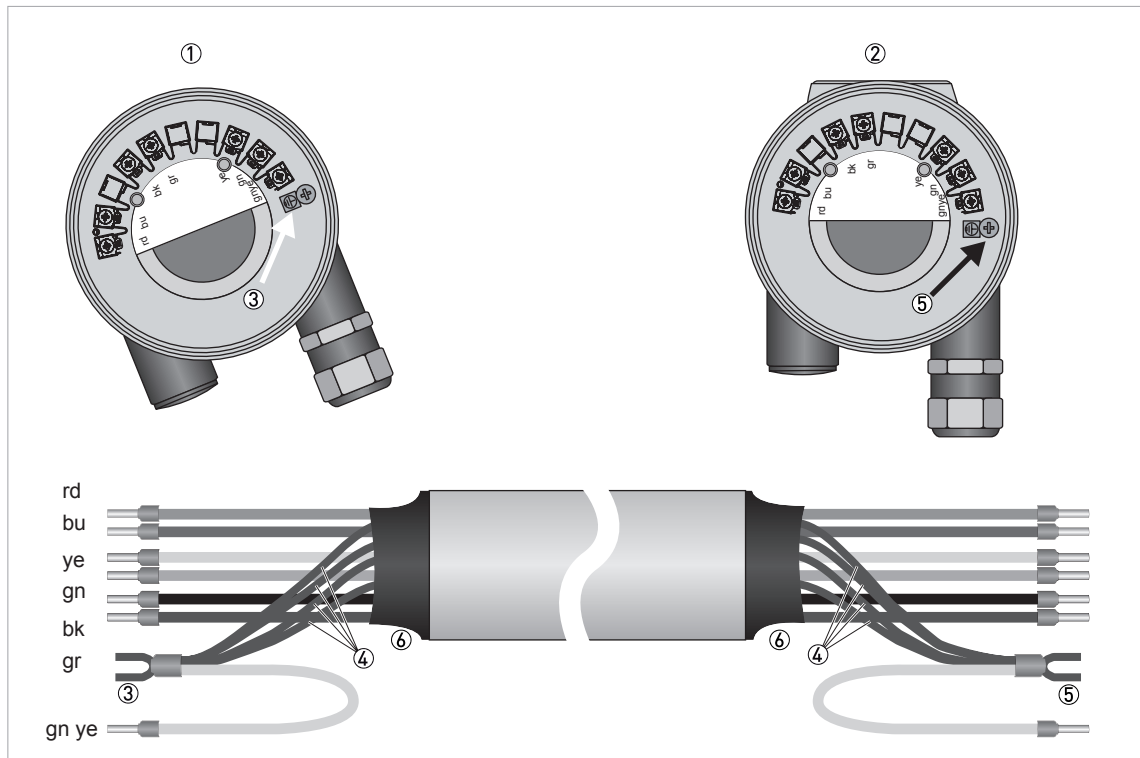


Figure 4-8: Connection of remote version

- ① Connection terminal flow sensor
- ② Connection terminal signal converter
- ③ Connection shielding flow sensor
- ④ Shielding (drain wire and overall shield)
- ⑤ Connection shielding signal converter
- ⑥ Heat shrink tubing

The maximum cable length is 50 m / 164 ft.

The cable can be shortened easily. All wires must be connected afterwards.



**CAUTION!**

Please ensure that the shielding ④ has been properly connected to both terminals ③ and ⑤.

## 4.5 Grounding connections

The grounding can be done either by connecting the PE (Protective Earth) terminal in the housing or the PE terminal on the connection piece between flow sensor and signal converter. Both of these electrical connections are equally effective from a technical point of view.

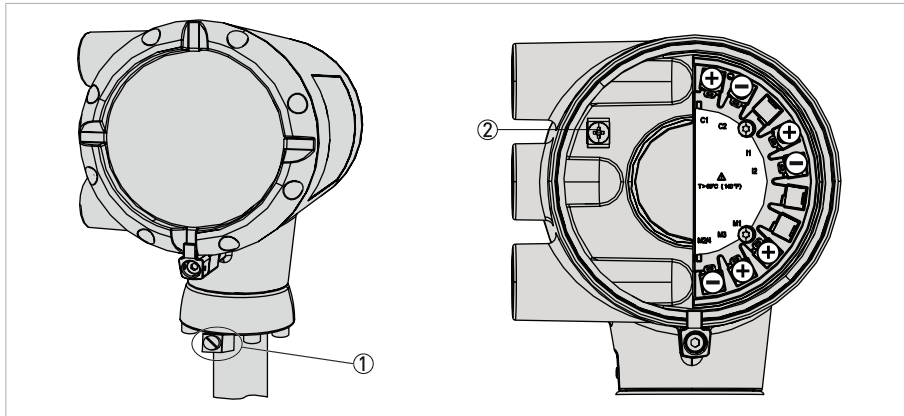


Figure 4-9: Grounding connection for compact version

- ① Electrical grounding connection on connection piece between flow sensor and signal converter.
- ② Electrical grounding terminal in the housing



### CAUTION!

The measuring device has to be grounded properly to achieve accurate measurement. The grounding wire may not transfer any interference voltage. Do not use this grounding cable to ground any other electrical devices.

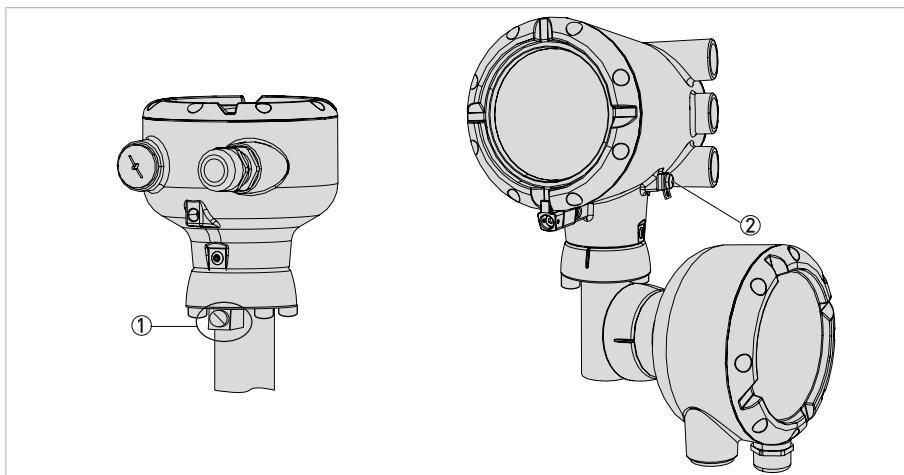


Figure 4-10: Grounding connection for remote version

- ① Electrical grounding connection on flow sensor
- ② Electrical grounding connection on signal converter housing



### INFORMATION!

In the remote version, the flow sensor as well as the signal converter must be grounded.

## 4.6 Ingress protection

The signal converter electronics housing meets the requirements for IP66/67 in accordance with EN 60529 both for the compact and for the remote version.



### CAUTION!

After all servicing and maintenance work on the measuring device, the specified ingress protection category must be ensured again.

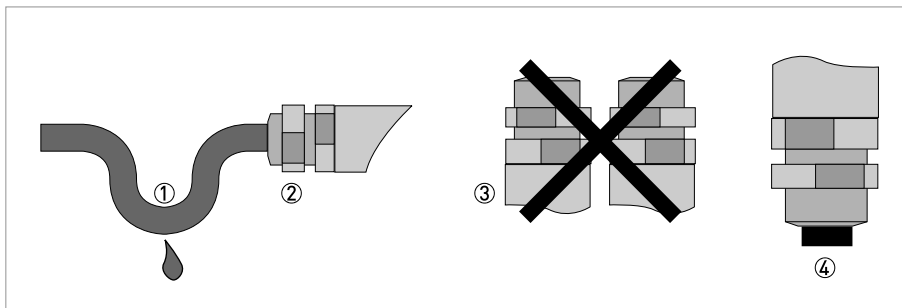


Figure 4-11: Cable feedthrough



### Therefore it is essential to observe the following points:

- Use only original gaskets. They must be clean and free of any damage. Defective gaskets must be replaced.
- The electrical cables used must be undamaged and must comply with regulations.
- The cables must be laid with a loop ① upstream of the measuring device to prevent water from getting into the housing.
- The cable feedthroughs ② must be tightened. Note that the clamping range of the cable feedthrough corresponds to the outer diameter of the cable.
- Align the measuring device so that the cable feedthrough is never facing up ③.
- Close any unused cable feedthroughs using blind plugs ④ suitable for the protection category.
- Do not remove the required cable bushing from the cable feedthrough.

## 5.1 Start-up screen

**INFORMATION!**

After connection to power supply the device carries out a self-test. After 10 seconds the following start-up screen appears:

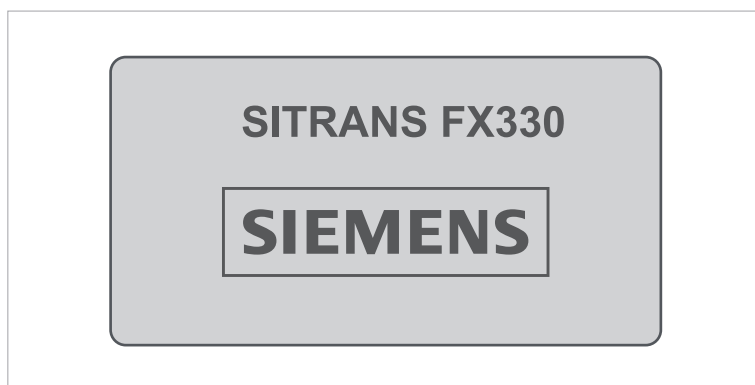


Figure 5-1: Start-up screen

After finishing of the self-test the device switches to the measuring mode. Here, all of the parameters preset for the customer are analysed and checked for plausibility, and the currently measured value is displayed.

## 5.2 Operation

**INFORMATION!**

The measuring device is largely maintenance-free.  
Observe the application limits in respect of temperature and medium.

## 6.1 Display and operating elements

In case of an open front cover, the device is operated by using mechanical keys; in the case of a closed cover, a bar magnet ① is used.

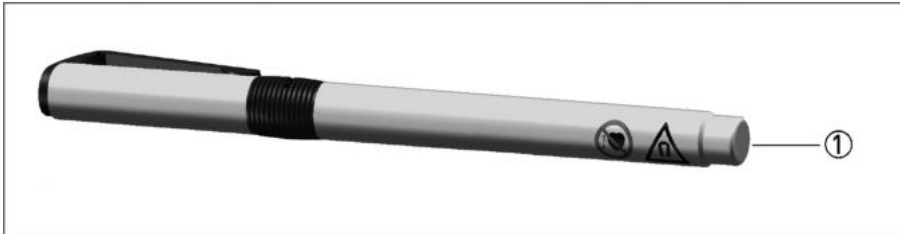


Figure 6-1: Pen with bar magnet



### CAUTION!

The switching point of the magnetic sensors is directly under the glass panel above the appropriate symbol. Touch the symbol only vertically and from the front. Touching it from the side may cause a malfunction.

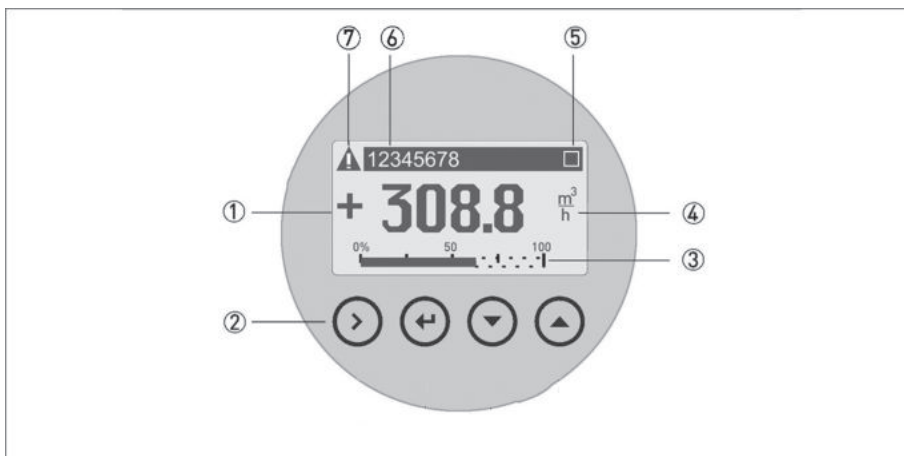


Figure 6-2: Display and operating elements

- ① Display
- ② Mechanical keys and bar magnet
- ③ Bargraph indication
- ④ 1st measured variable in large representation
- ⑤ Indicates when a key has been pressed
- ⑥ Tag number (only shown if entered previously by the operator)
- ⑦ Indicates a possible status message in the status list

The mechanical keys and keys for the bar magnet have the same functionality. In this documentation the keys are represented as symbols to describe the operating functions:





| Mechanical and bar magnet   | Symbol |
|---|--------|
|  | →      |
|  | ←      |
|  | ↓      |
|  | ↑      |

Table 6-1: Description of keys

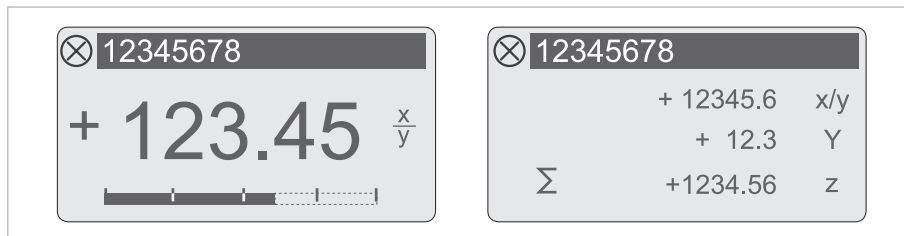


Figure 6-3: Displays in measuring mode (examples for 2 or 3 measured values)  
x, y and z denote the units of the measured values displayed

### 6.1.1 Display for selection of submenu and functions, 3 lines

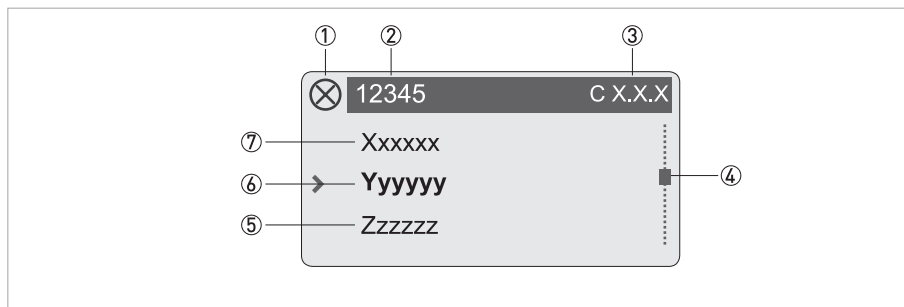


Figure 6-4: Display for selection of submenu and functions, 3 lines

- ① Indicates a possible status message in the status list
- ② Menu, submenu or function name
- ③ Number relating to ⑥
- ④ Indicates position within menu, submenu or function list
- ⑤ Next menu(s), submenu or function  
[ \_\_ \_ signals in this line the end of the list]
- ⑥ Current menu(s), submenu or function
- ⑦ Previous menu(s), submenu or function  
[ \_\_ \_ signals in this line the beginning of the list]

### 6.1.2 Display when setting parameters, 4 lines

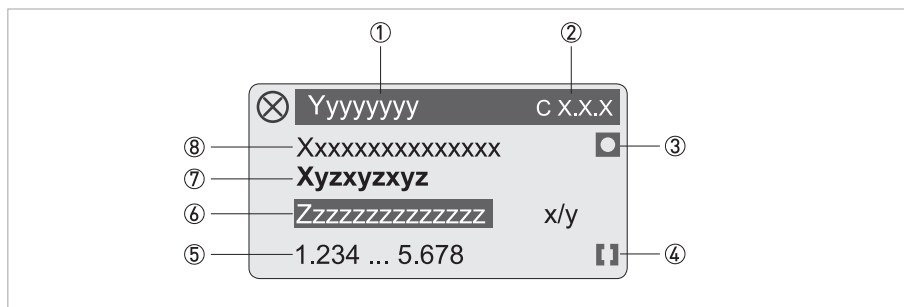


Figure 6-5: Display when setting parameters, 4 lines

- ① Current menu(s), submenu or function
- ② Number relating to ⑦
- ③ Denotes factory setting
- ④ Denotes permissible value range
- ⑤ Permissible value range for numeric values
- ⑥ Currently set value, unit or function (when selected, appears with white text, blue background)  
This is where the data is changed.
- ⑦ Current parameter
- ⑧ Factory setting of parameter

### 6.1.3 Display when previewing parameters, 4 lines

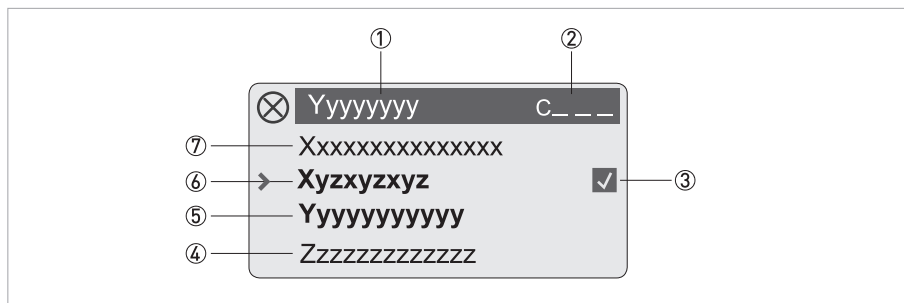


Figure 6-6: Display when previewing parameters, 4 lines

- ① Current menu(s), submenu or function
- ② Number relating to ⑥
- ③ Denotes a changed parameter (simple check of changed data when browsing through lists)
- ④ Next parameter
- ⑤ Currently set data from ⑥
- ⑥ Current parameter (for selection press key >; then see previous chapter)
- ⑦ Factory setting of parameter

## 6.2 Basic principles of operation

### 6.2.1 Functional description of the keys



#### INFORMATION!

- It is recommended to activate the push buttons perpendicular to the front. Touching them from the side can cause incorrect operation.
- The mechanical keys and keys for the bar magnet have the same functionality.

|        |   |
|--------|---|
| →      | Switch from measuring mode to menu mode   |
|        | Switch to one menu level lower  |
|        | Open menu item and activate change mode   |
|        | <b>In change mode:</b> Move the input cursor one position to the right; after the last digit the input cursor jumps back to the beginning.          |
| ↑ or ↓ | Change between the menu items within a menu level   |
|        | <b>In measuring mode:</b> Switch between 1. measurement page, 2. measurement page and status message.   |
|        | <b>In change mode:</b> Changing parameters and settings; running through the available characters; shifting the decimal point to the right or left. |
| ↵      | Confirm settings and changes  |
|        | Return to measuring mode  |

Table 6-2: Description of the operating keys

### 6.2.2 Switch from measuring mode to menu mode

| Measuring mode | Operation | Menu mode     |
|----------------|-----------|---------------|
| 156.3 kg/h     | →         | > Quick Setup |

Use the ↵ button to exit menu mode and return to measuring mode.

### 6.2.3 Change the settings in the menu

Press the → button to enter the menu.

Use the ↵ button to exit menu mode and return to measuring mode.



- Use the ↵ and ↑ or ↓ keys to navigate in the menu.  
The current values or settings are displayed.  
Save the new value or setting using the ↵ key.
- Some menu items contain several setting options. They are displayed in sequence by pressing the ↵ key.
- Press the ↵ button to save the settings, or to reject them.
- Before returning to measuring mode, you are prompted "Save Configuration?" which you need to accept with "Yes".  
Switch between "Yes", "Back" and "No" by pressing the ↑ or ↓ keys.



|                             |   |  |
|-----------------------------|---|--|
| Save Configuration?<br>Yes  | ← | Changes are accepted.<br>An update is carried out and the display returns to measuring mode. |
| Save Configuration?<br>No   | ← | Changes are discarded.<br>The display returns to measuring mode.                             |
| Save Configuration?<br>Back | ← | Returns to menu mode   |

| Procedure | Display                          |  | Procedure | Display                    |
|-----------|----------------------------------|--|-----------|----------------------------|
|           | 1.25<br>m <sup>3</sup> /h        |  | 8x ↑      | Volume Flow<br>L/h         |
| 2x →      | A Quick Setup                    |  | 4x ←      | Save Configuration?<br>Yes |
| 8x ↓      | A9 Units                         |  | 1x ←      | 1250<br>L/h                |
| 2x →      | Volume Flow<br>m <sup>3</sup> /h |  |           |                            |

Table 6-3: Example: Changing the default parameter from m<sup>3</sup>/h to l/h

## 6.2.4 Character selection in change mode

Depending on the menu function, the following characters are available:

### Numbers

|   |   |   |   |   |   |   |   |   |   |
|---|---|---|---|---|---|---|---|---|---|
| 0 | 1 | 2 | 3 | 4 | 5 | 6 | 7 | 8 | 9 |
|---|---|---|---|---|---|---|---|---|---|

### Lower case letters

|   |   |   |   |   |   |   |   |   |   |
|---|---|---|---|---|---|---|---|---|---|
| a | b | c | d | e | f | g | h | i | j |
| k | l | m | n | o | p | q | r | s | t |
| u | v | w | x | y | z |   |   |   |   |

### Upper case letters

|   |   |   |   |   |   |   |   |   |   |
|---|---|---|---|---|---|---|---|---|---|
| A | B | C | D | E | F | G | H | I | J |
| K | L | M | N | O | P | Q | R | S | T |
| U | V | W | X | Y | Z |   |   |   |   |

### Special characters

|   |   |   |   |   |   |  |  |  |  |
|---|---|---|---|---|---|--|--|--|--|
| 2 | 3 | _ | - | / | . |  |  |  |  |
|---|---|---|---|---|---|--|--|--|--|

### 6.2.5 Units, figures and factors

Numerical values and factors are displayed in a 8 digit format. Numerical values are either displayed in floating point format (12345678) or are expressed in exponential format (12.345e06). Exponents are used in following steps: 03 / 06 / 09 or -03 / -06 / -09 etc. The conversion factor of the totalizer and the pulse output, however, is expressed in whole numbers.

| Flow type         | Basic units        | Menu           |
|-------------------|--------------------|----------------|
| Volume flow       | m <sup>3</sup> /h  | A9 and/or C6.5 |
| Norm. volume flow | Nm <sup>3</sup> /h | A9 and/or C6.5 |
| Mass flow         | kg/h               | A9 and/or C6.5 |

Table 6-4: Basic units

User defined units can be entered in menu "A9 or C6.5 Units". The unit (text) as well as the conversion factor (number) and offset can be entered here. The conversion factor must always be entered based on the basic unit.

#### Totalizer

The basic units for the totalizer are m<sup>3</sup> for volume, Nm<sup>3</sup> for standard volume and kg for mass. Volume flow, norm. volume flow and mass flow can be selected in menu "C4.1 Flow Totalizer". If counting is to be done in another flow unit, the unit must be changed in menu "C6.5 Units".

### 6.2.6 Security and permissions

#### Access levels

The vortex flowmeter features a multi-level security concept, which helps to prevent accidental or unauthorised configuration changes.

To gain a specific access level you need to log into the device by entering a four digit hexadecimal password associated with that access level (refer to menu "C6.2 Security"). You are able to change the passwords of "Operator" and "Expert" access levels if that particular level has been reached.

The "User" access level does not have a specific password – if you enter any password not assigned to a level, e.g. "0000" (which is an invalid password), you will fall back to "User" access level.

The table below lists the access levels, their default passwords and associated permissions.

| Access level | Default password                  | Permissions  |
|--------------|-----------------------------------|--|
| User         | 0000<br>(any unassigned password) | <ul style="list-style-type: none"> <li>View device information</li> <li>Configure the display (C5), including changing the display language and the content of the measurement pages</li> </ul>  |
| Operator     | 0009                              | <ul style="list-style-type: none"> <li>All rights of "User" access level</li> <li>Configure binary output (C2.2)</li> <li>Configure all HART® communication options (C3) with the exception of "C3.1.1 Current Loop Mode"</li> <li>Change "Operator" password (C6.2.2) – note that the new password must have three leading zeroes ("000")</li> <li>Activate a different meter type</li> </ul> |
| Expert       | 0058                              | <ul style="list-style-type: none"> <li>All configuration rights, especially process setup (C1) and current output (C2.1)</li> <li>Change "Expert" password (C6.2.2) – note that the new password must have two leading zeroes ("00")</li> </ul>  |

Table 6-5: Access levels



**INFORMATION!**

When a particular access level has been enabled, please pay close attention to a "lock" symbol which might be present at the right side of a menu entry. This lock symbol indicates that your current access level allows you to read but not write this entry.



**INFORMATION!**

When entering the four digit password please be sure to type in all leading zeroes – i.e. enter the default "Operator" password as "0009" and not only "9" by skipping the remaining digits.



**INFORMATION!**

After a cold start of the device the user role will always be reset to "User".

### Reset passwords

In case the user has changed particular passwords from their default settings and is not able to log in anymore, there is a "Reset Passwords" command available in the C6.2.3 submenu.

However to prevent unauthorised use this command itself is protected by a non-changeable unique password available by contacting the manufacturer.

## 6.3 Overview of the most important functions and units



### INFORMATION!

A complete list of all functions and short descriptions is provided in the next section. All default parameters and settings are adapted for the customer.

### Menu structure

- "A Quick Setup": Quick check and setup of the signal converter, including application assistants
- "B Test": Simulation functions and display of the actual measurement values for all variables
- "C Setup": Complete setup possibilities

| Menu                         | Explanation   |
|------------------------------|---|
| A1 Language or C5.1 Language | Select the menu language (for details refer to following chapter)   |
| B1.2 Current Output          | Check the current output  |
| B1.3.1 Pulse Output          | Check the pulse output  |
| B1.3.2 Frequency Output      | Check the frequency output  |
| B1.3.3 Status/Limit Output   | Check the status output   |
| C1.8 Time Constant           | Time constant, damping value  |
| C2.1.2 0% Range              | Minimum flow rate (current output)<br>The set value represents the 4 mA value of the current output. Usually 0% of flow is set as 4 mA, but it is also possible to assign higher flow values to 4 mA.     |
| C2.1.3 100% Range            | Maximum flow rate (current output)<br>The set value represents the 20 mA value of the current output. Usually 100% of flow is set as 20 mA, but it is also possible to assign lower flow values to 20 mA. |

Table 6-6: Most important functions

## 6.4 Menu languages

|                        |            |           |           |            |
|------------------------|------------|-----------|-----------|------------|
| English                | German     | French    | Italian   | Spanish    |
| Swedish                | Danish     | Czech     | Polish    | Russian    |
| Chinese                | Turkish    | Slovenian |           |            |
| <b>In preparation:</b> |            |           |           |            |
| Dutch                  | Portuguese | Slovak    | Hungarian | Lithuanian |
| Norwegian              | Finnish    | Estonian  | Latvian   | Moldavian  |
| Bulgarian              | Romanian   | Albanian  |           |            |

Table 6-7: List of menu languages

## 6.5 Gas options for gas measurement

Gases can be selected in menu "A8, C1.2 Medium" or "C1.3.1 Gas Mixture".

For fluid selection gas, wet gas or gas mixture the following gas selection is available:

|          |                  |           |          |          |  |
|----------|------------------|-----------|----------|----------|--|
| Air      | Ammonia          | Argon     | i-Butane | n-Butane |  |
| CO       | CO <sub>2</sub>  | Ethane    | Ethylene | n-Hexane |  |
| Hydrogen | Hydrogen Sulfide | Methane   | Neon     | Nitrogen |  |
| Oxygen   | i-Pentane        | n-Pentane | Propane  | Xenon    |  |

Table 6-8: Available gas selection

Gas mixtures can be defined as percentage shares of the above mentioned gases.

Default format for the shares is 0.00000 %.

To enter shares > 9.99999 % the point can be shifted rightwards by moving the cursor to the point and then press the upwards button ↑.

Change between the digits by pressing the rightwards button →.

After reaching the last digit the cursor will jump again to the first digit.

## 6.6 Units

The following units can be selected and set in menu A9 and/or C6.5. Furthermore, for each measurement customised units can be defined.

| Liquids, steam, gases  |                 |                 |                 |
|------------------------|-----------------|-----------------|-----------------|
| /d                     | /h              | /min            | /s              |
| m <sup>3</sup>         | m <sup>3</sup>  | m <sup>3</sup>  | m <sup>3</sup>  |
| ml                     | ml              | ml              | ml              |
| L                      | L               | L               | L               |
| ML                     | ML              | -               | -               |
| hl                     | hl              | hl              | hl              |
| ft <sup>3</sup>        | ft <sup>3</sup> | ft <sup>3</sup> | ft <sup>3</sup> |
| gal                    | gal             | gal             | gal             |
| kgal                   | kgal            | kgal            | kgal            |
| Mgal                   | Mgal            | -               | -               |
| ImpGal                 | ImpGal          | ImpGal          | ImpGal          |
| MImpGal                | MImpGal         | -               | -               |
| bbl                    | bbl             | bbl             | bbl             |
| acft                   | acft            | acft            | acft            |
| fl.oz[Imp]             | fl.oz[Imp]      | fl.oz[Imp]      | fl.oz[Imp]      |
| fl.oz[US]              | fl.oz[US]       | fl.oz[US]       | fl.oz[US]       |
| Customised volume flow |                 |                 |                 |

Table 6-9: Units for volume flow

| Liquids, steam, gases                 |                  |                  |                  |
|---------------------------------------|------------------|------------------|------------------|
| /d                                    | /h               | /min             | /s               |
| Nm <sup>3</sup>                       | Nm <sup>3</sup>  | Nm <sup>3</sup>  | Nm <sup>3</sup>  |
| NL                                    | NL               | NL               | NL               |
| Sm <sup>3</sup>                       | Sm <sup>3</sup>  | Sm <sup>3</sup>  | Sm <sup>3</sup>  |
| SL                                    | SL               | SL               | SL               |
| Sft <sup>3</sup>                      | Sft <sup>3</sup> | Sft <sup>3</sup> | Sft <sup>3</sup> |
| Customised norm./standard volume flow |                  |                  |                  |

Table 6-10: Units for norm./standard\* volume flow

\* The units Nx/x and Sx/x shall be considered as equivalent. They serve as an indication for a normalised or standardised measuring variable and do not identify the underlying reference system.

| /d                   | /h | /min | /s |
|----------------------|----|------|----|
| kg                   | kg | kg   | kg |
| -                    | g  | g    | g  |
| t                    | t  | t    | -  |
| lb                   | lb | lb   | lb |
| Customised mass flow |    |      |    |

Table 6-11: Units for mass flow

| Volume            | Norm./standard* volume | Mass |
|-------------------|------------------------|------|
| m <sup>3</sup>    | Nm <sup>3</sup>        | g    |
| L                 | SL                     | kg   |
| hl                | SM <sup>3</sup>        | oz   |
| in <sup>3</sup>   | Sft <sup>3</sup>       | lb   |
| ft <sup>3</sup>   | NL                     | T    |
| gal               |                        |      |
| ImpGal            |                        |      |
| bbl               |                        |      |
| Customised volume |                        |      |

Table 6-12: Totalizer units

\* The units Nx and Sx shall be considered as equivalent. They serve as an indication for a normalised or standardised measuring variable and do not identify the underlying reference system.

| Temperature            | Pressure            | Power            | Energy            | Density            |
|------------------------|---------------------|------------------|-------------------|--------------------|
| °C                     | mbar                | W                | J                 | kg/m <sup>3</sup>  |
| °F                     | bar                 | kW               | kJ                | kg/L               |
| K                      | atm                 | kJ/h             | MJ                | g/cm <sup>3</sup>  |
| °Rank                  | kg/m <sup>2</sup>   | MJ/s             | kW*h              | g/L                |
| Customised temperature | kg/cm <sup>2</sup>  | MJ/h             | Mcal              | g/ml               |
|                        | g/cm <sup>2</sup>   | Mcal/h           | BTU               | lb/gal             |
|                        | torr                | Btu/h            | Customised energy | lb/ft <sup>3</sup> |
|                        | psi                 | Mbtu/s           |                   | lb/in <sup>3</sup> |
|                        | psi (abs)           | Mbtu/h           |                   | Customised density |
|                        | b/ft <sup>2</sup>   | Mbtu/d           |                   |                    |
|                        | MPa                 | Customised power |                   |                    |
|                        | kPa                 |                  |                   |                    |
|                        | Pa                  |                  |                   |                    |
|                        | Customised pressure |                  |                   |                    |

Table 6-13: Units for additional measurements

The pressure unit psi (abs) refers to a reference point of 0 bara / 0 psia.  
 All other pressure units are gauge pressure units and refer to a reference pressure of 1.01325 bara / 14.7 psia (acc. to DIN 1343).



## 6.7 Menu structure



### INFORMATION!

- The following tables describe the functions of the standard device with HART® connection. The functions for Foundation Fieldbus and Profibus are described in detail in the corresponding supplementary instructions.
- Depending on the device version, not all functions are available.

### 6.7.1 Menu overview "A Quick Setup"

| Meas. | Menu A        |     | Submenus                  |                         |                         |
|-------|---------------|-----|---------------------------|-------------------------|-------------------------|
| > ←   | ↓ ↑           | > ← | ↓ ↑                       | > ←                     | ↓ ↑                     |
|       | A Quick Setup |     | A1 Language               |                         |                         |
|       |               |     | A2 Contrast               |                         |                         |
|       |               |     | A3 Login                  |                         |                         |
|       |               |     | A4 Tag                    |                         |                         |
|       |               |     | A5 Long Tag               |                         |                         |
|       |               |     | A6 Message View           |                         |                         |
|       |               |     | A7 Fluid                  |                         |                         |
|       |               |     | A8 Medium                 |                         |                         |
|       |               |     | A9 Units                  | A9.1 Volume Flow        | A9.2 Cst. Vol. Flow     |
|       |               |     |                           | A9.3 Norm. Vol. Flow    | A9.4 Cst. N.Vol.Flow    |
|       |               |     |                           | A9.5 Mass Flow          | A9.6 Cst. Mass Flow     |
|       |               |     |                           | A9.7 Power              | A9.8 Cst. Power         |
|       |               |     |                           | A9.9 Volume             | A9.10 Cst. Volume       |
|       |               |     |                           | A9.11 Norm. Volume      | A9.12 Cst. Norm. Volume |
|       |               |     |                           | A9.13 Mass              | A9.14 Cst. Mass         |
|       |               |     |                           | A9.15 Energy            | A9.16 Cst. Energy       |
|       |               |     |                           | A9.17 Pressure          | A9.18 Cst. Pressure     |
|       |               |     |                           | A9.19 Temperature       | A9.20 Cst. Temp.        |
|       |               |     |                           | A9.21 Density           | A9.22 Cst. Density      |
|       |               |     | A10 Meter Type            |                         |                         |
|       |               |     | A11 Application Assistant | A11.1 Liquids           |                         |
|       |               |     |                           | A11.2 Saturated Steam   |                         |
|       |               |     |                           | A11.3 Superheated Steam |                         |
|       |               |     |                           | A11.4 Heat Measurement  |                         |
|       |               |     |                           | A11.5 Gas               |                         |
|       |               |     |                           | A11.6 FAD               |                         |
|       |               |     | A12 Cluster Checks        | Cluster 1...12          |                         |

Table 6-14: Menu overview "A Quick Setup"

6.7.2 Menu overview "B Test"

| Meas. | Menu B |     | Submenus         |     |                        |     |                            |
|-------|--------|-----|------------------|-----|------------------------|-----|----------------------------|
| > ←   | ↓ ↑    | > ← | ↓ ↑              | > ← | ↓ ↑                    | > ← | ↓ ↑ >                      |
|       | B Test |     | B1 Simulation    |     | B1.1 Set Value         |     | B1.1.1 Volume Flow         |
|       |        |     |                  |     |                        |     | B1.1.2 Norm. Volume Flow   |
|       |        |     |                  |     |                        |     | B1.1.3 Mass Flow           |
|       |        |     |                  |     |                        |     | B1.1.4 Gross Power         |
|       |        |     |                  |     |                        |     | B1.1.5 Net Power           |
|       |        |     |                  |     |                        |     | B1.1.6 FAD                 |
|       |        |     |                  |     |                        |     | B1.1.7 Volume              |
|       |        |     |                  |     |                        |     | B1.1.8 Norm. Volume        |
|       |        |     |                  |     |                        |     | B1.1.9 Mass                |
|       |        |     |                  |     |                        |     | B1.1.10 Gross Energy       |
|       |        |     |                  |     |                        |     | B1.1.11 Net Energy         |
|       |        |     |                  |     |                        |     | B1.1.12 Density            |
|       |        |     |                  |     |                        |     | B1.1.13 Temperature1       |
|       |        |     |                  |     |                        |     | B1.1.14 Temperature2       |
|       |        |     |                  |     |                        |     | B1.1.15 Pressure           |
|       |        |     |                  |     |                        |     | B1.1.16 Vortex Frequency   |
|       |        |     |                  |     |                        |     | B1.1.17 Velocity           |
|       |        |     |                  |     |                        |     | B1.1.18 Specific Enthalpy  |
|       |        |     |                  |     |                        |     | B1.1.19 Specific Heat Cap. |
|       |        |     |                  |     |                        |     | B1.1.20 Reynolds Number    |
|       |        |     |                  |     | B1.2 Current Output    |     |                            |
|       |        |     |                  |     | B1.3 Binary Output     |     | B1.3.1 Pulse Output        |
|       |        |     |                  |     |                        |     | B1.3.2 Frequency Output    |
|       |        |     |                  |     |                        |     | B1.3.3 Status/Limit Output |
|       | B Test |     | B2 Actual Values |     | B2.1 Operating Time    |     |                            |
|       |        |     |                  |     | B2.2 Volume Flow       |     |                            |
|       |        |     |                  |     | B2.3 Norm. Volume Flow |     |                            |
|       |        |     |                  |     | B2.4 Mass Flow         |     |                            |
|       |        |     |                  |     | B2.5 Gross Power       |     |                            |
|       |        |     |                  |     | B2.6 Net Power         |     |                            |
|       |        |     |                  |     | B2.7 FAD               |     |                            |
|       |        |     |                  |     | B2.8 Volume            |     |                            |
|       |        |     |                  |     | B2.9 Norm. Volume      |     |                            |
|       |        |     |                  |     | B2.10 Mass             |     |                            |
|       |        |     |                  |     | B2.11 Gross Energy     |     |                            |
|       |        |     |                  |     | B2.12 Net Energy       |     |                            |
|       |        |     |                  |     | B2.13 Density          |     |                            |
|       |        |     |                  |     | B2.14 Temperature1     |     |                            |
|       |        |     |                  |     | B2.15 Temperature2     |     |                            |

| Meas. | Menu B |     | Submenus         |     |                          |     |       |
|-------|--------|-----|------------------|-----|--------------------------|-----|-------|
| > ←   | ↓ ↑    | > ← | ↓ ↑              | > ← | ↓ ↑                      | > ← | ↓ ↑ > |
|       | B Test |     | B2 Actual Values |     | B2.16 Pressure           |     |       |
|       |        |     |                  |     | B2.17 Vortex Frequency   |     |       |
|       |        |     |                  |     | B2.18 Velocity           |     |       |
|       |        |     |                  |     | B2.19 Specific Enthalpy  |     |       |
|       |        |     |                  |     | B2.20 Specific Heat Cap. |     |       |
|       |        |     |                  |     | B2.21 Reynolds Number    |     |       |

Table 6-15: Menu overview "B Test"

### 6.7.3 Menu overview "C Setup"

| Meas. | Menu C  |     | Submenus   |     |                        |     |                             |
|-------|---------|-----|------------|-----|------------------------|-----|-----------------------------|
| > ←   | ↓ ↑     | > ← | ↓ ↑        | > ← | ↓ ↑                    | > ← | ↓ ↑ >                       |
|       | C Setup |     | C1 Process |     | C1.1 Fluid             |     |                             |
|       |         |     |            |     | C1.2 Medium            |     |                             |
|       |         |     |            |     | C1.3 Gas               |     | C1.3.1 Gas Mixture          |
|       |         |     |            |     |                        |     | C1.3.2 Relative Humidity    |
|       |         |     |            |     |                        |     | C1.3.3 Inlet Temperature    |
|       |         |     |            |     |                        |     | C1.3.4 Atm. Pressure        |
|       |         |     |            |     |                        |     | C1.3.5 Filter Pressure Drop |
|       |         |     |            |     |                        |     | C1.3.6 Inlet Rel. Humidity  |
|       |         |     |            |     |                        |     | C1.3.7 Outlet Rel. Humidity |
|       |         |     |            |     |                        |     | C1.3.8 Compressor RPM       |
|       |         |     |            |     |                        |     | C1.3.9 Rated Compr. RPM     |
|       |         |     |            |     | C1.4 Saturated Steam   |     | C1.4.1 Dry Factor           |
|       |         |     |            |     | C1.5 Current Input     |     | C1.5.1 Function             |
|       |         |     |            |     |                        |     | C1.5.2 Current Input Meas.  |
|       |         |     |            |     |                        |     | C1.5.3 0% Range / 4mA       |
|       |         |     |            |     |                        |     | C1.5.4 100% Range / 20mA    |
|       |         |     |            |     | C1.6 Temp. Sensor      |     | C1.6.1 Temp. Source1        |
|       |         |     |            |     |                        |     | C1.6.2 Temp. Source2        |
|       |         |     |            |     | C1.7 Pressure Sensor   |     | C1.7.1 Pressure Source      |
|       |         |     |            |     | C1.8 Time Constant     |     |                             |
|       |         |     |            |     | C1.9 Low Flow Cutoff   |     |                             |
|       |         |     |            |     | C1.10 Operating Values |     | C1.10.1 Oper. Temperature   |
|       |         |     |            |     |                        |     | C1.10.2 Oper. Pressure      |
|       |         |     |            |     |                        |     | C1.10.3 Oper. Density       |
|       |         |     |            |     |                        |     | C1.10.4 Min/Max Oper. Dens. |

| Meas.                   | Menu C  | Submenus                 |     |     |                        |     |                           |                           |  |  |  |  |           |                           |
|-------------------------|---------|--------------------------|-----|-----|------------------------|-----|---------------------------|---------------------------|--|--|--|--|-----------|---------------------------|
| > ←                     | ↓ ↑     | > ←                      | ↓ ↑ | > ← | ↓ ↑                    | > ← | ↓ ↑ >                     |                           |  |  |  |  |           |                           |
|                         | C Setup | C1 Process               |     |     | C1.11 Normal Values    |     | C1.11.1 Norm. Temperature |                           |  |  |  |  |           |                           |
|                         |         |                          |     |     | C1.11.2 Norm. Pressure |     |                           |                           |  |  |  |  |           |                           |
|                         |         |                          |     |     | C1.11.3 Norm. Density  |     |                           |                           |  |  |  |  |           |                           |
|                         |         | C2 Output                |     |     |                        |     | C2.1 Current Output       | C2.1.1 Current Out. Meas. |  |  |  |  |           |                           |
|                         |         |                          |     |     |                        |     |                           | C2.1.2 0% Range           |  |  |  |  |           |                           |
|                         |         |                          |     |     |                        |     |                           | C2.1.3 100% Range         |  |  |  |  |           |                           |
|                         |         |                          |     |     |                        |     |                           | C2.1.4 Lower Ext. Range   |  |  |  |  |           |                           |
|                         |         |                          |     |     |                        |     |                           | C2.1.5 Upper Ext. Range   |  |  |  |  |           |                           |
|                         |         |                          |     |     |                        |     |                           | C2.1.6 Error Function     |  |  |  |  |           |                           |
|                         |         |                          |     |     |                        |     |                           | C2.1.7 Low Error Current  |  |  |  |  |           |                           |
|                         |         |                          |     |     |                        |     |                           | C2.1.8 High Error Current |  |  |  |  |           |                           |
|                         |         |                          |     |     |                        |     |                           | C2.1.9 Trimming           |  |  |  |  |           |                           |
|                         |         |                          |     |     |                        |     | C2.2 Binary Output        | C2.2.1 Function           |  |  |  |  |           |                           |
|                         |         |                          |     |     |                        |     |                           | C2.2.2 Pulse Output       |  |  |  |  |           |                           |
|                         |         |                          |     |     |                        |     |                           | C2.2.3 Frequency Output   |  |  |  |  |           |                           |
|                         |         |                          |     |     |                        |     |                           | C2.2.4 Status Output      |  |  |  |  |           |                           |
|                         |         |                          |     |     |                        |     |                           | C2.2.5 Limit Switch       |  |  |  |  |           |                           |
|                         |         |                          |     |     |                        |     |                           | C2.2.6 Invert Signal      |  |  |  |  |           |                           |
|                         |         |                          |     |     |                        |     |                           | C3 Communication          |  |  |  |  | C3.1 HART | C3.1.1 Current Loop Mode  |
|                         |         |                          |     |     |                        |     |                           |                           |  |  |  |  |           | C3.1.2 Identification     |
|                         |         |                          |     |     |                        |     |                           |                           |  |  |  |  |           | C3.1.3 Device Information |
|                         |         |                          |     |     |                        |     |                           |                           |  |  |  |  |           | C3.1.4 HART Variables     |
|                         |         | C3.1.5 Catch DV Temp.    |     |     |                        |     |                           |                           |  |  |  |  |           |                           |
|                         |         | C3.1.6 Catch DV Pressure |     |     |                        |     |                           |                           |  |  |  |  |           |                           |
|                         |         | C4 Totalizer             |     |     |                        |     | C4.1 Flow Totalizer       | C4.1.1 Measurement        |  |  |  |  |           |                           |
|                         |         |                          |     |     |                        |     |                           | C4.1.2 Preset Value       |  |  |  |  |           |                           |
|                         |         |                          |     |     |                        |     |                           | C4.1.3 Reset Totalizer?   |  |  |  |  |           |                           |
|                         |         |                          |     |     |                        |     |                           | C4.1.4 Set Start Value    |  |  |  |  |           |                           |
|                         |         |                          |     |     |                        |     |                           | C4.1.5 Start Totalizer?   |  |  |  |  |           |                           |
|                         |         |                          |     |     |                        |     |                           | C4.1.6 Stop Totalizer?    |  |  |  |  |           |                           |
|                         |         |                          |     |     |                        |     |                           | C4.1.7 Information        |  |  |  |  |           |                           |
|                         |         |                          |     |     |                        |     | C4.2 Energy Totalizer     | C4.2.1 Measurement        |  |  |  |  |           |                           |
| C4.2.2 Preset Value     |         |                          |     |     |                        |     |                           |                           |  |  |  |  |           |                           |
| C4.2.3 Reset Totalizer? |         |                          |     |     |                        |     |                           |                           |  |  |  |  |           |                           |
| C4.2.4 Set Start Value  |         |                          |     |     |                        |     |                           |                           |  |  |  |  |           |                           |
| C4.2.5 Start Totalizer? |         |                          |     |     |                        |     |                           |                           |  |  |  |  |           |                           |
| C4.2.6 Stop Totalizer?  |         |                          |     |     |                        |     |                           |                           |  |  |  |  |           |                           |
| C4.2.7 Information      |         |                          |     |     |                        |     |                           |                           |  |  |  |  |           |                           |

| Meas. | Menu C  | Submenus |            |     |                    |                               |
|-------|---------|----------|------------|-----|--------------------|-------------------------------|
| > ←   | ↓ ↑     | > ←      | ↓ ↑        | > ← | ↓ ↑                | > ← ↓ ↑ >                     |
|       | C Setup |          | C5 Display |     | C5.1 Language      |                               |
|       |         |          |            |     | C5.2 Contrast      |                               |
|       |         |          |            |     | C5.3 1. Meas. Page | C5.3.1 Function               |
|       |         |          |            |     |                    | C5.3.2 Measurement 1. Line    |
|       |         |          |            |     |                    | C5.3.3 0% Range               |
|       |         |          |            |     |                    | C5.3.4 100% Range             |
|       |         |          |            |     |                    | C5.3.5 Format 1. Line         |
|       |         |          |            |     |                    | C5.3.6 Measurement 2. Line    |
|       |         |          |            |     |                    | C5.3.7 Format 2. Line         |
|       |         |          |            |     |                    | C5.3.8 Measurement 3. Line    |
|       |         |          |            |     |                    | C5.3.9 Format 3. Line         |
|       |         |          |            |     | C5.4 2. Meas. Page | C5.4.1 Function               |
|       |         |          |            |     |                    | C5.4.2 Measurement 1. Line    |
|       |         |          |            |     |                    | C5.4.3 0% Range               |
|       |         |          |            |     |                    | C5.4.4 100% Range             |
|       |         |          |            |     |                    | C5.4.5 Format 1. Line         |
|       |         |          |            |     |                    | C5.4.6 Measurement 2. Line    |
|       |         |          |            |     |                    | C5.4.7 Format 2. Line         |
|       |         |          |            |     |                    | C5.4.8 Measurement 3. Line    |
|       |         |          |            |     |                    | C5.4.9 Format 3. Line         |
|       |         |          | C6 Device  |     | C6.1 Information   | C6.1.1 Tag                    |
|       |         |          |            |     |                    | C6.1.2 Long Tag               |
|       |         |          |            |     |                    | C6.1.3 Meter Type             |
|       |         |          |            |     |                    | C6.1.4 Serial Number          |
|       |         |          |            |     |                    | C6.1.5 Manufacturer ID        |
|       |         |          |            |     |                    | C6.1.6 Device Name            |
|       |         |          |            |     |                    | C6.1.7 V Number               |
|       |         |          |            |     |                    | C6.1.8 Electronic Revision    |
|       |         |          |            |     |                    | C6.1.9 Device Revision        |
|       |         |          |            |     |                    | C6.1.10 Software Revision     |
|       |         |          |            |     |                    | C6.1.11 Hardware Revision     |
|       |         |          |            |     |                    | C6.1.12 Electronic Serial No. |
|       |         |          |            |     |                    | C6.1.13 CG Number             |
|       |         |          |            |     |                    | C6.1.14 Production Date       |
|       |         |          |            |     |                    | C6.1.15 Calibration Date      |
|       |         |          |            |     | C6.2 Security      | C6.2.1 Login                  |
|       |         |          |            |     |                    | C6.2.2 Change Password        |
|       |         |          |            |     |                    | C6.2.3 Reset Passwords        |
|       |         |          |            |     |                    | C6.2.4 Unlock SIL             |

| Meas. | Menu C  |     | Submenus  |     |                      |     |                              |
|-------|---------|-----|-----------|-----|----------------------|-----|------------------------------|
| > ←   | ↓ ↑     | > ← | ↓ ↑       | > ← | ↓ ↑                  | > ← | ↓ ↑ >                        |
|       | C Setup |     | C6 Device |     | C6.3 Extras          |     | C6.3.1 Meter Type            |
|       |         |     |           |     |                      |     | C6.3.2 Heat                  |
|       |         |     |           |     |                      |     | C6.3.3 Heat & Dens. by Pres. |
|       |         |     |           |     |                      |     | C6.3.4 Heat & Dens. & FAD    |
|       |         |     |           |     | C6.4 Error           |     | C6.4.1 Message View          |
|       |         |     |           |     |                      |     | C6.4.4 Error Mapping         |
|       |         |     |           |     |                      |     | C6.4.4.1 Totalizer           |
|       |         |     |           |     | C6.5 Units           |     | C6.5.1 Volume Flow ①         |
|       |         |     |           |     |                      |     | C6.5.3 Norm. Vol. Flow       |
|       |         |     |           |     |                      |     | C6.5.5 Mass Flow             |
|       |         |     |           |     |                      |     | C6.5.7 Power                 |
|       |         |     |           |     |                      |     | C6.5.9 Volume                |
|       |         |     |           |     |                      |     | C6.5.11 Norm. Volume         |
|       |         |     |           |     |                      |     | C6.5.13 Mass                 |
|       |         |     |           |     |                      |     | C6.5.15 Energy               |
|       |         |     |           |     |                      |     | C6.5.17 Pressure             |
|       |         |     |           |     |                      |     | C6.5.19 Temperature          |
|       |         |     |           |     |                      |     | C6.5.21 Density              |
|       |         |     |           |     | C6.6 Factory Default |     | C6.6.1 Reset to Fact. Def.?  |
|       |         |     |           |     | C6.8 Proof Test      |     | C6.8.2 Run Proof Test?       |

Table 6-16: Menu overview "C Setup"

① In all even numbered menus C6.5.2 to .22 Cst. Units (Custom Units) there is a submenu with the prompt for "Text", "Offset" and "Factor".

### 6.7.4 Menu description "A Quick Setup"

| Function                  | Setting / Description  |
|---------------------------|--|
| A1 Language               | Available display languages: German, English, French, Italian, Spanish, Russian, Chinese, Swedish, Danish, Czech, Polish, Turkish, Slovenian;<br>13 further languages in preparation (for details refer to <i>Menu languages</i> on page 60) |
| A2 Contrast               | Adjust contrast of local display (-10...+10; Standard = 0)   |
| A3 Login                  | Enter password: 0000 (to change password refer to menu C6.2.2)   |
| A4 Tag                    | Entry and display of measuring point identifier (8 digits).  |
| A5 Long Tag               | Entry and display of long measuring point identifier (1...32 digits).<br>Entry will be displayed in the header bar on the LC display (depending on letter size, min. 11 digits can be displayed).  |
| A6 Message View           | NAMUR messages (F, S, M, C, I)<br>For further information refer to <i>Status messages and diagnostic information</i> on page 90.   |
| A7 Fluid                  | Select: Liquid / Steam / Gas / Wet Gas / Gas Mixture<br>Depending on selected fluid, appropriate medium can be selected in A8  |
| A8 Medium                 | If fluid is "Gas" or "Wet Gas" (for details refer to <i>Gas options for gas measurement</i> on page 61)  |
|                           | The following selection is available for fluid = "Steam":<br>Saturated Steam / Superheated Steam / Custom  |
|                           | The following selection is available for fluid = "Liquid":<br>Water / Custom   |
|                           | The following selection is available for fluid = "Wet Gas":<br>Here, a gas can be selected as a wet gas from all of the above mentioned gases.   |
| A9 Units                  | For further information refer to menu C6.5.  |
| A10 Meter Type            | Standard:<br>For liquids, gases and steam; integrated temperature compensation for saturated steam.  |
|                           | Heat:<br>For liquids, gases and steam; integrated temperature compensation for saturated steam, gross/net heat measurement for saturated steam and water.  |
|                           | Heat & Dens. by Pres.:<br>Integrated density compensation for saturated steam, superheated steam and gas, gross/net heat measurement for saturated steam, superheated steam and water.   |
|                           | Heat & Dens. & FAD:<br>Integrated density compensation for saturated steam, superheated steam and gas, gross/net heat measurement for saturated steam, superheated steam and water, FAD functionality.                                       |
| A11 Application Assistant | For details refer to next tables.  |
| A12 Cluster Checks        | For further information refer to <i>A12 plausibility checks</i> on page 96.  |

Table 6-17: Menu description "A Quick Setup"

### A11 Application Assistant

The factory settings of the vortex flowmeter have been made in accordance with the order specifications. Nonetheless it can be necessary to make additional settings for the use of some functionalities. For an easy operation the device is equipped with an application assistant for each type of application. The application assistant guides the operator through the configuration of the flowmeter.

The application assistant starts with the definition of all basic units. Afterwards, the functionality-specific parameters have to be set. Settings such as configurations of the outputs or the totaliser functions, can require submenus. These can be entered by pressing the arrow "→" key. In case they are not needed, the menu items can be skipped by pressing the enter "↵" key.

To perform the settings for the application assistant, the operator must be logged on the access level "Expert". For further information refer to *Security and permissions* on page 58.

To abort an application assistant sequence, press "→" and "↑" at the same time. Be sure to select "Save Config.? No" when returning to measuring mode.

|  |   |
|--|---|
| Please select a suitable application assistant from the following options: |   |
| A11.1 Liquids  | Configuration for liquid applications, incl. the correspondent output and totalizer.  |
| A11.2 Saturated Steam  | Configuration for saturated steam applications and density compensation by external or internal temperature transmitter.              |
| A11.3 Superheated Steam  | Configuration of superheated steam applications and definition of temperature and pressure value sources.                             |
| A11.4 Heat Measurement   | Configuration of gross and net heat applications and definition of temperature and/or pressure value sources.                         |
| A11.5 Gas  | Configuration of gas applications with optionally internal or external pressure and temperature sources for the density compensation. |
| A11.6 FAD  | Configuration of FAD (Free Air Delivery) applications for compressors.  |

Table 6-18: A11.1 Application Assistant - general options



## A11.1 Application Assistant - Liquids

| Function                | Setting / Description  |
|-------------------------|--|
| .1                      |  |
| .2 Units                |  |
| .2.1 Volume Flow        | Select unit (default: according to order specification or m <sup>3</sup> /h).  |
| .2.2 Mass Flow          | Select unit (default: according to order specification or kg/h).   |
| .2.3 Volume             | Select unit (default: according to order specification or m <sup>3</sup> ).  |
| .2.4 Mass               | Select unit (default: according to order specification or kg).   |
| .2.5 Temperature        | Select unit (default: according to order specification or °C).   |
| .2.6 Pressure           | Select unit (default: according to order specification or bar).  |
| .2.7 Density            | Select unit (default: according to order specification or kg/m <sup>3</sup> ).   |
| .3 Process              | Process configuration.   |
| .3.1 Fluid              | Select "Liquid".   |
| .3.2 Medium             | Select "Water" or "Custom".  |
| .3.3 Time Constant      | 0...100 s  |
| .3.4 Low Flow Cutoff    | Enter low flow cutoff point in current volume flow unit.   |
| .4 Operating Values     | Current process conditions in case they are not measured nor calculated.   |
| .4.1 Oper. Temperature  | Input in selected unit.  |
| .4.2 Oper. Pressure     | Input in selected unit.  |
| .4.3 Oper. Density      | Input in selected unit.  |
| .5 Current Output       | Current output configuration.  |
| .5.1 Current Out. Meas. | Select measurement variable for current output.  |
| .5.2 0% Range           | The set value represents 4 mA at the current output. Usually 0% flow = 4 mA, but it is also possible to define a higher flow value for 4 mA.     |
| .5.3 100% Range         | The set value represents 20 mA at the current output. Usually 100% flow = 20 mA, but it is also possible to define a lower flow value for 20 mA. |
| .5.4 Error Function     | Low / Off / High / Hold  |
| .5.5 Low Error Current  | 3.5...3.6 mA, available if "Error Function = Low"  |
| .5.6 High Error Current | 21...21.5 mA, available if "Error Function = High"   |
| .6 Binary Output        | Optionally configure the binary output.  |
| .6.1 Function           | Select the binary output function:<br>Limit Switch / Status / Frequency / Pulse / Off  |
| .6.2 Invert Signal      | On, Off  |
| .7 Pulse Output         | This menu is available if "Binary Output Function = Pulse".  |
| .8 Frequency Output     | This menu is available if "Binary Output Function = Frequency".  |
| .9 Status Output        | This menu is available if "Binary Output Function = Status".   |
| .10 Limit Switch        | This menu is available if "Binary Output Function = Limit Switch".   |
| .11 Flow Totalizer      | Optionally configure the flow totalizer.   |
| .12 Energy Totalizer    | This menu is available if a non-standard meter type has been configured (refer to "C6.3 Extras").  |
| .13 1. Meas. Page       | One Value / Two Values / Three Values / One Value & Bargraph / Two values & Bargraph   |
| .14 2. Meas. Page       | One Value / Two Values / Three Values / One Value & Bargraph / Two values & Bargraph   |

Table 6-19: A11.1 Application Assistant - Liquids

## A11.2 Application Assistant - Saturated Steam

| Function                 | Setting / Description  |
|--------------------------|--|
| .1                       |  |
| .2 Units                 | Same options as in A11.1.2.  |
| .3 Process               |  |
| .3.1 Fluid               | Select "Steam".  |
| .3.2 Medium              | Select "Saturated Steam".  |
| .3.3 Time Constant       | 0...100 s  |
| .3.4 Low Flow Cutoff     | Enter low flow cutoff point in current volume flow unit.   |
| .4 Current Input         |  |
| .4.1 Function            | Select "On" if applicable.   |
| .4.2 Current Input Meas. | Select "Temperature External" if "Function = On".  |
| .5.1 Temp. Source1       | Internal / External / External HART / Not Available  |
| .5.2 Temp. Source2       | Internal / External / External HART / Not Available<br>Temperature source 1 and 2 must be different. |
| .6 Operating Values      | Same options as in A11.1.4.  |
| .7 Current Output        | Same options as in A11.1.5.  |
| .8 Binary Output         | Same options as in A11.1.6.  |
| .9 Pulse Output          | Same options as in A11.1.7.  |
| .10 Frequency Output     | Same options as in A11.1.8.  |
| .11 Status Output        | Same options as in A11.1.9.  |
| .12 Limit Switch         | Same options as in A11.1.10.   |
| .13 Flow Totalizer       | Same options as in A11.1.11.   |
| .14 Energy Totalizer     | Same options as in A11.1.12.   |
| .15 1. Meas. Page        | Same options as in A11.1.13.   |
| .16 2. Meas. Page        | Same options as in A11.1.14.   |

Table 6-20: A11.2 Application Assistant - Saturated Steam

## A11.3 Application Assistant - Superheated Steam

| Function  | Setting / Description                                    |
|---|--|
| This application assistant is available if meter type is set to "Heat & Dens. by Pres." or "Heat & Dens. & FAD" (refer to "C6.3 Extras"). |  |
| .1  |  |
| .2 Units  | Same options as in A11.1.2.                              |
| .3 Process  |  |
| .3.1 Fluid  | Select "Steam".  |
| .3.2 Medium   | Select "Superheated Steam".                              |
| .3.3 Time Constant  | 0...100 s  |
| .3.4 Low Flow Cutoff  | Enter low flow cutoff point in current volume flow unit. |
| .4 Current Input  |  |
| .4.1 Function   | Select "On", if applicable.                              |
| .4.2 Current Input Meas.  | Select "Temperature External" or "Pressure External".    |
| .5.1 Temp. Source1  | Internal / External / External HART / Not Available      |

| Function             | Setting / Description  |
|----------------------|--|
| .5.2 Temp. Source2   | Internal / External / External HART / Not Available<br>Temperature source 1 and 2 must be different. |
| .6 Operating Values  | Same options as in A11.1.4.  |
| .7 Current Output    | Same options as in A11.1.5.  |
| .8 Binary Output     | Same options as in A11.1.6.  |
| .9 Pulse Output      | Same options as in A11.1.7.  |
| .10 Frequency Output | Same options as in A11.1.8.  |
| .11 Status Output    | Same options as in A11.1.9.  |
| .12 Limit Switch     | Same options as in A11.1.10.   |
| .13 Flow Totalizer   | Same options as in A11.1.11.   |
| .14 Energy Totalizer | Same options as in A11.1.12.   |
| .15 1. Meas. Page    | Same options as in A11.1.13.   |
| .16 2. Meas. Page    | Same options as in A11.1.14.   |

Table 6-21: A11.3 Application Assistant - Superheated Steam

#### A11.4 Application Assistant - Heat Measurement

| Function   | Setting / Description  |
|--|--|
| This application assistant is available if meter type is not set to "Standard" (refer to "C6.3 Extras"). |  |
| .1   |  |
| .2 Units   |  |
| .2.1 Volume Flow   | Select unit (default: according to order specification or m <sup>3</sup> /h).                        |
| .2.2 Mass Flow   | Select unit (default: according to order specification or kg/h).                                     |
| .2.3 Power   | Select unit (default: according to order specification or kJ/h).                                     |
| .2.4 Volume  | Select unit (default: according to order specification or m <sup>3</sup> ).                          |
| .2.5 Mass  | Select unit (default: according to order specification or kg).                                       |
| .2.6 Energy  | Select unit (default: according to order specification or kJ).                                       |
| .2.7 Temperature   | Select unit (default: according to order specification or °C).                                       |
| .2.8 Pressure  | Select unit (default: according to order specification or bar).                                      |
| .2.9 Density   | Select unit (default: according to order specification or kg/m <sup>3</sup> ).                       |
| .3 Process   |  |
| .3.1 Fluid   | Select "Steam" or "Liquid".  |
| .3.2 Medium  | Select "Saturated Steam", "Superheated Steam" or "Water".  |
| .3.3 Time Constant   | 0...100 s  |
| .3.4 Low Flow Cutoff   | Enter low flow cutoff point in current volume flow unit.   |
| .4 Current Input   |  |
| .4.1 Function  | Select "On".   |
| .4.2 Current Input Meas.   | Select "Temperature External".   |
| .5 Temp. Sensor  |  |
| .5.1 Temp. Source1   | Internal / External / External HART / Not Available  |
| .5.2 Temp. Source2   | Internal / External / External HART / Not Available<br>Temperature source 1 and 2 must be different. |
| .6 Operating Values  | Same options as in A11.1.4.  |
| .7 Current Output  |  |

| Function                | Setting / Description  |
|-------------------------|--|
| .7.1 Current Out. Meas. | Select "Gross Power" or "Net Power".   |
| .7.2 0% Range           | The set value represents 4 mA at the current output. Usually 0% flow = 4 mA, but it is also possible to define a higher flow value for 4 mA.     |
| .7.3 100% Range         | The set value represents 20 mA at the current output. Usually 100% flow = 20 mA, but it is also possible to define a lower flow value for 20 mA. |
| .7.4 Error Function     | Same options as in A11.1.5.4.  |
| .7.5 Low Error Current  | 3.5...3.6 mA   |
| .7.6 High Error Current | 21...21.5 mA   |
| .8 Binary Output        | Same options as in A11.1.6.  |
| .9 Pulse Output         | Same options as in A11.1.7.  |
| .10 Frequency Output    | Same options as in A11.1.8.  |
| .11 Status Output       | Same options as in A11.1.9.  |
| .12 Limit Switch        | Same options as in A11.1.10.   |
| .13 Flow Totalizer      | Same options as in A11.1.11.   |
| .14 Energy Totalizer    | Same options as in A11.1.12.   |
| .15 1. Meas. Page       | Same options as in A11.1.13.   |
| .16 2. Meas. Page       | Same options as in A11.1.14.   |

Table 6-22: A11.4 Application Assistant - Heat Measurement

### A11.5 Application Assistant - Gas

| Function             | Setting / Description  |
|----------------------|--|
| .1                   |  |
| .2 Units             | Same options as in A11.1.2.  |
| .2.1 Volume Flow     | Select unit (default: according to order specification or m <sup>3</sup> /h).                            |
| .2.2 Norm. Vol. Flow | Select unit (default: according to order specification or Nm <sup>3</sup> /h).                           |
| .2.3 Mass Flow       | Select unit (default: according to order specification or kg/h).   |
| .2.4 Volume          | Select unit (default: according to order specification or m <sup>3</sup> ).                              |
| .2.5 Norm. Volume    | Select unit (default: according to order specification or Nm <sup>3</sup> ).                             |
| .2.6 Mass            | Select unit (default: according to order specification or kg).   |
| .2.7 Temperature     | Select unit (default: according to order specification or °C).   |
| .2.8 Pressure        | Select unit (default: according to order specification or bar).  |
| .2.9 Density         | Select unit (default: according to order specification or kg/m <sup>3</sup> ).                           |
| .3 Process           |  |
| .3.1 Fluid           | Select: "Gas", "Wet Gas" or "Gas Mixture".   |
| .3.2 Medium          | If fluid is "Gas" or "Wet Gas" (for details refer to <i>Gas options for gas measurement</i> on page 61). |
| .3.3 Time Constant   | 0...100 s  |
| .3.4 Low Flow Cutoff | Enter low flow cutoff point in current volume flow unit.   |
| .4 Current Input     | Same options as in A11.3.4.  |
| .5.1 Temp. Source1   | Internal / External / External HART / Not Available  |
| .5.2 Temp. Source2   | Internal / External / External HART / Not Available<br>Temperature source 1 and 2 must be different.     |
| .6 Gas Mixture       | If fluid = "Gas Mixture", enter gas mixture in %.  |

| Function               | Setting / Description   |
|------------------------|---|
| .7 Gas                 |   |
| .7.1 Relative Humidity | If fluid = "Wet Gas", enter 0...100%.                           |
| .8 Operating Values    | Same options as in A11.1.4.                                     |
| .9 Normal Values       | Default settings according to order specification or DIN.       |
| .9.1 Norm. Temperature | Confirm default setting or define in selected temperature unit. |
| .9.2 Norm. Pressure    | Confirm default setting or define in selected pressure unit.    |
| .9.3 Norm. Density     | Confirm default setting or define in selected density unit.     |
| .10 Current Output     | Same options as in A11.1.5.                                     |
| .11 Binary Output      | Same options as in A11.1.6.                                     |
| .12 Pulse Output       | Same options as in A11.1.7.                                     |
| .13 Frequency Output   | Same options as in A11.1.8.                                     |
| .14 Status Output      | Same options as in A11.1.9.                                     |
| .15 Limit Switch       | Same options as in A11.1.10.                                    |
| .16 Flow Totalizer     | Same options as in A11.1.11.                                    |
| .17 1. Meas. Page      | Same options as in A11.1.13.                                    |
| .18 2. Meas. Page      | Same options as in A11.1.14.                                    |

Table 6-23: A11.5 Application Assistant - Gas

### A11.6 Application Assistant - FAD

| Function   | Setting / Description  |
|--|--|
| This application assistant is available if meter type is set to "Heat & Dens. & FAD" (refer to "C6.3 Extras"). |  |
| .1   |  |
| .2 Units   |  |
| .2.1 Volume Flow   | Select unit (default: according to order specification or m <sup>3</sup> /h).                        |
| .2.2 Norm. Vol. Flow   | Select unit (default: according to order specification or Nm <sup>3</sup> /h).                       |
| .2.3 Volume  | Select unit (default: according to order specification or m <sup>3</sup> ).                          |
| .2.4 Norm. Volume  | Select unit (default: according to order specification or Nm <sup>3</sup> ).                         |
| .2.5 Temperature   | Select unit (default: according to order specification or °C).                                       |
| .2.6 Pressure  | Select unit (default: according to order specification or bar).                                      |
| .2.7 Density   | Select unit (default: according to order specification or kg/m <sup>3</sup> ).                       |
| .3 Process   |  |
| .3.1 Fluid   | Select "Gas".  |
| .3.2 Medium  | Select "Air".  |
| .3.3 Time Constant   | 0...100 s  |
| .3.4 Low Flow Cutoff   | Enter low flow cutoff point in current volume flow unit.   |
| .4 Current Input   | Same options as in A11.3.4.  |
| .5.1 Temp. Source1   | Internal / External / External HART / Not Available  |
| .5.2 Temp. Source2   | Internal / External / External HART / Not Available<br>Temperature source 1 and 2 must be different. |
| .6 Gas   |  |
| .6.1 Inlet Temperature   | Enter temperature on inlet side in selected unit.  |
| .6.2 Atm. Pressure   | Enter current ambient pressure in selected unit.   |

| Function                  | Setting / Description                          |
|---------------------------|--|
| .6.3 Filter Pressure Drop | Enter filter pressure drop in selected unit.   |
| .6.4 Inlet Rel. Humidity  | Enter air humidity on inlet side in 0...100%.  |
| .6.5 Outlet Rel. Humidity | Enter air humidity on outlet side in 0...100%. |
| .6.6 Compressor RPM       | Compressor revolutions per minute.             |
| .6.7 Rated Compr. RPM     | Rated compressor revolutions per minute.       |
| .7 Operating Values       | Same options as in A11.1.4.                    |
| .8 Current Output         | Select "FAD".                                  |
| .9 Binary Output          | Same options as in A11.1.6.                    |
| .10 Pulse Output          | Same options as in A11.1.7.                    |
| .11 Frequency Output      | Same options as in A11.1.8.                    |
| .12 Status Output         | Same options as in A11.1.9.                    |
| .13 Limit Switch          | Same options as in A11.1.10.                   |
| .14 Flow Totalizer        | Same options as in A11.1.11.                   |
| .16 1. Meas. Page         | Same options as in A11.1.13.                   |
| .17 2. Meas. Page         | Same options as in A11.1.14.                   |

Table 6-24: A11.6 Application Assistant - FAD

### 6.7.5 Menu description "B Test"

For simulation and actual values refer to *Menu overview "B Test"* on page 66.

### 6.7.6 Menu description "C Setup"

For further information refer to *Menu overview "C Setup"* on page 67.

There are four different meter types (software versions) available for the signal converter:

| Meter type            | Description  |
|-----------------------|--|
| Standard              | Uncompensated measurement for liquids, gases and steam; integrated temperature compensation included for saturated steam |
| Heat                  | Same as "Standard", plus gross/net heat measurement for saturated steam and hot water                                    |
| Heat & Dens. by Pres. | Same as "Heat", plus gross/net heat measurement for superheated steam; density compensation for the measurement of gas   |
| Heat & Dens. & FAD    | Same as "Heat & Dens. by Pres.", plus FAD (Free Air Delivery) measurement  |

Table 6-25: Available meter types

Depending on the ordered meter type those options may have been ordered and are already activated or can be activated in menu "C6.3 Extras". For this purpose an activation password is necessary. Please contact the manufacturer.

When using the standard device all menu entries concerning heat measurement, density calculation and FAD are hidden.

| Function                    | Setting / Description  |
|-----------------------------|--|
| <b>C1 Process</b>           |  |
| C1.1 Fluid                  | Select: Liquid / Steam / Gas / Wet Gas / Gas Mixture<br>Appropriate media can be selected in menu C1.2 dependent on selected fluid type.   |
| C1.2 Medium                 | If fluid = "Liquid":<br>Water / Custom   |
|                             | If fluid = "Steam":<br>Saturated Steam / Superheated Steam / Custom  |
|                             | If fluid is "Gas" or "Wet Gas" (for details refer to <i>Gas options for gas measurement</i> on page 61)  |
| C1.3 Gas                    | This menu is available if fluid = "Wet Gas" or "Gas Mixture", or if medium = "Air" and meter type = "Heat & Dens. & FAD".<br>Here the gas composition or gas properties can be defined.  |
| C1.3.1 Gas Mixture          | This menu is available for fluid = "Gas Mixture".<br>Enter gas mixture as percentage share of gas options (for details refer to <i>Gas options for gas measurement</i> on page 61)   |
| C1.3.2 Relative Humidity    | This menu is available if fluid = "Wet Gas". Enter: 0...100%   |
| C1.3.3 Inlet Temperature    | The menus C1.3.3 to C1.3.9 are part of the FAD functionalities. They are available, if fluid = "Gas", medium = "Air" and FAD functionality is included in the meter type option.<br><br>Enter ambient temperature of the compressor inlet side in selected temperature unit (C6.5.19).   |
| C1.3.4 Atm. Pressure        | Enter ambient pressure of the compressor inlet side as value in selected pressure unit (C6.5.17).  |
| C1.3.5 Filter Pressure Drop | Enter pressure drop of compressor filter in selected pressure unit (C6.5.17).  |
| C1.3.6 Inlet Rel. Humidity  | Enter relative air humidity of the compressor inlet side as 0...100%.  |
| C1.3.7 Outlet Rel. Humidity | Enter relative air humidity of the compressor outlet side as 0...100%.   |
| C1.3.8 Compressor RPM       | Enter compressor revolutions per minute.   |
| C1.3.9 Rated Compr. RPM     | Enter rated compressor revolutions per minute.   |
| C1.4 Saturated Steam        | This menu is available, if fluid = "Steam" and medium = "Saturated Steam".   |
| C1.4.1 Dry Factor           | Enter 0.85...1   |
| C1.5 Current Input          | The current input is a passive 2-wire 4...20 mA input. An external power supply is required (for details refer to <i>Current input</i> on page 44).  |
| C1.5.1 Function             | Select "On" or "Off" to enable or disable the current input.   |
| C1.5.2 Current Input Meas.  | If current input function (C1.5.1) = "On", the following selection is available:<br>Pressure External / Temperature External   |
| C1.5.3 0% Range / 4mA       | 0% value = 4 mA for pressure value or temperature value  |
| C1.5.4 100% Range / 20mA    | 100% value = 20 mA for pressure value or temperature value   |
| <b>C1.6 Temp. Sensor</b>    |  |
| C1.6.1 Temp. Source1        | Select: Not available / Internal / External / External HART / Sat. Steam Temp.<br>(Saturated steam temperature only available for meter types "Heat & Dens. by Pres." and "Heat & Dens. & FAD")<br><br>Temperature source 1 and 2 must be different.<br>If the current input is set to "Temperature External", either "Temp. Source1" or "Temp. Source2" may be set to "External". If the current input is set "Pressure External", the "External" option is not available to both temperature source 1 and 2. |
| C1.6.2 Temp. Source2        |  |
| <b>C1.7 Pressure Sensor</b> |  |
| C1.7.1 Pressure Source      | Select: Not Available / Internal / External / External HART<br>(Pressure sensor support only available for meter types "Heat & Dens. by Pres." and "Heat & Dens. & FAD")   |
| C1.8 Time Constant          | Enter: 0...100 s   |
| C1.9 Low Flow Cutoff        | Sets low flow values to "0". Enter value for low flow cutoff in volumetric flow unit.  |

| Function                     | Setting / Description   |
|------------------------------|---|
| <b>C1 Process</b>            |   |
| C1.10 Operating Values       | Operating values are pre-set according to the application data; value can be adjusted subsequently, if required.  |
| C1.10.1 Oper. Temperature    | Enter value in selected temperature unit.   |
| C1.10.2 Oper. Pressure       | Enter value in selected pressure unit.  |
| C1.10.3 Oper. Density        | Enter value in selected density unit.   |
| C1.10.4 Min/Max Oper. Dens.  | Minimum and maximum operating densities are defined by the nominal diameter and the operating density as standard. By activating this function, deviating values for the minimum and maximum operating densities can be defined.  |
| C1.10.4.1 Function           | Select: On / Off<br>If function = "On", min./max. operating density can be defined in C1.10.4.2 and C1.10.4.3   |
| C1.10.4.2 Min. Oper. Density | Enter value for minimum operating density in selected density unit.   |
| C1.10.4.3 Max. Oper. Density | Enter value for maximum operating density in selected density unit.   |
| C1.11 Normal Values          | Standard system values are pre-set according to the application data, if applicable. Standard system can be changed by changing values in C1.11.1 to C1.11.3.   |
| C1.11.1 Norm. Temperature    | Enter value in selected temperature unit.   |
| C1.11.2 Norm. Pressure       | Enter value in selected pressure unit.  |
| C1.11.3 Norm. Density        | Enter value in selected density unit.   |
| C1.12 Heater/Cooler          | In net heat measurement applications this functionality monitors "Temp. Source 1" (C1.6.1) and "Temp. Source 2" (C1.6.2) and triggers a NE 107 status message type C in case of temperature incongruity.<br>Select:<br>- Heater: status message is triggered in case of "Temp. Source 1" < "Temp. Source 2"<br>- Cooler: status message is triggered in case of "Temp. Source 1" > "Temp. Source 2"<br>- Don't care: functionality is deactivated |

Table 6-26: Menu description C1

| Function                  | Setting / Description  |
|---------------------------|--|
| <b>C2 Output</b>          |  |
| C2.1 Current Output       | 2-wire current output 4..20 mA (for details refer to <i>Technical data</i> on page 102)  |
| C2.1.1 Current Out. Meas. | Determination of measurement variable for current output. Measurement variable for current output is pre-set according to application data.<br><br>Select: Volume Flow / Norm. Volume Flow / Mass Flow / Density / Temperature1 / Pressure / Vortex Frequency / Velocity / Gross Power / Net Power / FAD<br><br>The latter three measurement variables are just available if the respective meter type option was activated. |
| C2.1.2 0% Range           | The set value represents the 4 mA value of the current output. Usually 0% of flow is set as 4 mA, but it is also possible to assign higher flow values than 4 mA.  |
| C2.1.3 100% Range         | The set value represents the 20 mA value of the current output. Usually 100% of flow is set as 20 mA, but it is also possible to assign lower flow values than 20 mA.  |
| C2.1.4 Lower Ext. Range   | Minimum limit of current value. Pre-set value is 4 mA.<br>Enter: 3.8...4 mA<br><br>Condition for value < 4 mA: Measurement value at 4 mA must not be smaller or equal to 0%.   |
| C2.1.5 Upper Ext. Range   | Maximum limit of current value. Pre-set value is 20 mA.<br>Enter: 20...20.5 mA<br><br>Condition for value > 20 mA: Measurement value at 20 mA must not be greater or equal to 100%.  |



| Function                      | Setting / Description  |
|-------------------------------|--|
| <b>C2 Output</b>              |  |
| C2.1.6 Error Function         | This function triggers a current output signal in case of an error detection with status type F (for details refer to <i>Status messages and diagnostic information</i> on page 90).<br>Select:<br>- Off: No error current signal is sent.<br>- High: Error current signal as defined in C2.1.7 is sent.<br>- Low: Error current signal as defined in C2.1.8 is sent.<br>- Hold: Last current value is held. |
| C2.1.7 Low Error Current      | Enter: 3.5...3.6 mA, available if "Error Function = Low"   |
| C2.1.8 High Error Current     | Enter: 21...21.5 mA, available if "Error Function = High"  |
| C2.1.9 Trimming               | This function enables to trim the current output.<br>Trimming is started by entering the menu.   |
| C2.1.9.2 4mA Trimming         | Trimming of 4 mA point.<br>Enter measured value for 4 mA point. Reset to 4 mA restores the factory calibration.  |
| C2.1.9.5 20mA Trimming        | Trimming of 20 mA point.<br>Enter measured value for 20 mA point. Reset to 20 mA restores the factory calibration.   |
| C2.2 Binary Output            | For possible functions of the binary output refer to <i>Binary output</i> on page 44   |
| C2.2.1 Function               | Select: Off / Pulse / Frequency / Status / Limit Switch<br>Unless otherwise ordered the binary output is inactive.   |
| C2.2.2 Pulse Output           | Only available if "Pulse" is selected in C2.2.1.   |
| C2.2.2.1 Measurement          | Select: Volume Flow / Mass Flow / Norm. Volume Flow / Gross Power / Net Power<br><br>Gross/net power is just available for non-standard meter types measuring steam or water.<br><br>Availability of selection depending on meter type and medium configuration.   |
| C2.2.2.2 Value p. Pulse       | Define value per pulse in unit according to measurement variable selection.  |
| C2.2.2.3 Pulse Width          | Define pulse width in ms.  |
| C2.2.2.4 100% Pulse Rate      | Define 100% pulse rate in Hz.  |
| C2.2.3 Frequency Output       | Only available, if "Frequency" is selected in C2.2.1.  |
| C2.2.3.1 Frequency Out. Meas. | Select: Volume Flow / Norm. Volume Flow / Mass Flow / Density / Temperature1 / Temperature2 / Pressure / Vortex Frequency / Velocity / Specific Enthalpy / Specific Heat Capacity / Reynolds Number / FAD / Net Power / Gross Power<br><br>Availability of selection depending on meter type and medium configuration.   |
| C2.2.3.2 Pulse Shape          | Select: Automatic [constant pulse width based on pulse/pause ratio = 1 at max. pulse rate] / Symmetric [pulse/pause ratio = 1] / Fixed [Fixed pulse length; set pulse width in C2.2.3.3]   |
| C2.2.3.3 Pulse Width          | Only available, if "Pulse Shape = Fixed" is selected in C2.2.3.2.<br>Enter pulse width in ms.  |
| C2.2.3.4 0% Pulse Rate        | Enter value for 0% pulse rate in Hz.   |
| C2.2.3.5 100% Pulse Rate      | Enter value for 100% pulse rate in Hz.   |
| C2.2.3.6 0% Range             | Enter value for 0% range in unit according to measurement variable selection.  |
| C2.2.3.7 100% Range           | Enter value for 100% range in unit according to measurement variable selection.  |
| C2.2.4 Status Output          | Only available, if "Status" is selected in C2.2.1.   |

| Function                       | Setting / Description   |
|--------------------------------|---|
| <b>C2 Output</b>               |   |
| C2.2.4.1                       | <p>Selection can be made, which event will trigger a signal on the status output.</p> <p>Select:</p> <ul style="list-style-type: none"> <li>- Flow Totalizer Overfl.: Signal is sent, when pre-defined flow totalizer value is reached. Define value in C4.1.2.</li> <li>- Energy Totalizer Overf.: Signal is sent, when pre-defined energy totalizer value is reached. Define value in C4.2.2.</li> <li>- Failure: Status signal is sent in case of failure.</li> <li>- Function Check: Status signal is sent, if a test function is active.</li> <li>- Out of Specification: Signal is sent, if measurement is out of specification.</li> <li>- Type of Fluid (for steam applications): Signal is sent to signalise transition in type of fluid.</li> </ul> |
| C2.2.4.2 Type of Fluid         | <p>Only available, if "Type of Fluid" is selected in C2.2.4.1.</p> <p>Select (availability depending on fluid and medium configuration):</p> <ul style="list-style-type: none"> <li>- Liquid: Indicates transition of medium to liquid.</li> <li>- Saturated Steam: Indicates transition of medium to saturated steam.</li> <li>- Superheated Steam: Indicates transition of medium to superheated steam.</li> </ul> <p><b>Note:</b> Correct temperature and pressure sources have to be defined in C1.6 and C1.7!</p>  |
| C2.2.4.3 Type of Fluid Epsilon | <p>Only available, if "Type of Fluid" is selected in C2.2.4.1.</p> <p>Value defines the sensitivity of transition detection.</p> <p>Enter value between -1.0 (to decrease sensitivity) and +1.0 (to increase sensitivity).</p>  |
| C2.2.5 Limit Switch            | Only available, if "Limit Switch" is selected in C2.2.1.  |
| C2.2.5.1 Measurement           | <p>Limit output variable can be defined, which will trigger a signal on the status output.</p> <p>Select: Volume Flow / Norm. Volume Flow / Mass Flow / Volume / Density / Temperature1 / Temperature2 / Pressure / Vortex Frequency / Velocity / Specific Enthalpy / Specific Heat Capacity / Reynolds Number / Mass / Norm. Volume / FAD / Net Energy / Gross Energy / Net Power / Gross Power</p> <p>The latter five measurement variables are just available if the respective meter type option was activated and fluid/medium were properly configured.</p> <p>Availability of selection depending on meter type and medium configuration.</p>  |
| C2.2.5.2 Lower Limit           | Enter value for lower limit in unit according to selected limit output variable.  |
| C2.2.5.3 Upper Limit           | Enter value for upper limit in unit according to selected limit output variable.  |
| C2.2.6 Invert Signal           | Select: On (normally open) / Off (normally closed)  |

Table 6-27: Menu description C2

| Function                 | Setting / Description  |
|--------------------------|--|
| <b>C3 Communication</b>  |  |
| <b>C3.1 HART</b>         |  |
| C3.1.1 Current Loop Mode | Select: On (enables primary variable to be transmitted as 4...20 mA current values) / Off (disables 4...20 mA transmission, but enables HART <sup>®</sup> multi-drop mode)   |
| C3.1.2 Identification    | HART <sup>®</sup> Identification parameters  |
| C3.1.2.1 Polling Address | <p>Set address for HART<sup>®</sup> operation. Standard setting is 000 for point-to-point operation with current output 4...20 mA. Setting of polling address ≠ 000 causes a constant 4 mA output and enables multi-drop mode.</p> <p>Enter: 000...063</p> |
| C3.1.2.2 Tag             | Enter measuring point identifier (1...8 digits).   |

| Function                      | Setting / Description  |
|-------------------------------|--|
| <b>C3 Communication</b>       |  |
| C3.1.2.3 Long Tag             | Enter long measuring point identifier (1...32 digits).<br>Entry will be displayed in the header bar on the LC display (depending on letter size, min. 11 digits can be displayed).   |
| C3.1.2.4 Manufacturer ID      | HART <sup>®</sup> Manufacturer ID = 00042 (0x2A) [SIEMENS] (read-only)   |
| C3.1.2.5 Device Type          | Device Type = 00058 (0x3A) (read-only)   |
| C3.1.2.6 Device ID            | Individual device ID (read-only)   |
| C3.1.2.7 Universal Revision   | HART <sup>®</sup> revision (read-only)   |
| C3.1.2.8 Device Revision      | (read-only)  |
| C3.1.2.9 Software Revision    | (read-only)  |
| C3.1.2.10 Hardware Revision   | (read-only)  |
| C3.1.3 Device Information     | Informative text can be added to describe the device in the HART <sup>®</sup> communication loop.  |
| C3.1.3.1 Descriptor           | Commenting text to label instrument can be added; 1...16 digits.   |
| C3.1.3.2 Message              | Here additional information can be added.  |
| C3.1.3.3 Date                 | Customer-defined date can be set here.   |
| C3.1.3.4 Cfg. Change Counter  | Counter for changes in settings (read-only).   |
| C3.1.4 HART Variables         | Definition of HART <sup>®</sup> variables.   |
| C3.1.4.1 Current Out. Meas.   | Primary HART <sup>®</sup> variable; identical with current output measurement variable.  |
| C3.1.4.2 Frequency Out. Meas. | Secondary HART <sup>®</sup> variable; identical with frequency output measurement variable. If binary output is not activated or not configured as frequency output, the secondary HART <sup>®</sup> variable is selectable. The variable selection is depending on the device configuration.  |
| C3.1.4.3 Current Input Meas.  | Tertiary HART <sup>®</sup> variable; identical with current input measurement variable. If the current input is not activated, the secondary HART <sup>®</sup> variable is selectable. The variable selection is depending on the device configuration.  |
| C3.1.4.4 Quaternary HART      | Select (Availability depending on fluid and medium configuration): Volume Flow / Norm. Volume Flow / Mass Flow / Gross Power / Net Power / FAD / Volume / Norm. Volume / Gross Energy / Net Energy / Density / Temperature1 / Temperature2 / Pressure / Vortex Frequency / Velocity / Specific Enthalpy / Specific Heat Capacity / Reynolds Number |
| C3.1.5 Catch DV Temp.         | Catch device variable allows for capturing process data from another field device in a multidrop network.  |
| C3.1.5.1 Capture Mode         | ACK - listen to responses by a specific slave device<br>BACK - listen to bursts by a specific slave device<br>OFF - disable capture mode   |
| C3.1.5.2 Exp. Device Type     | Define expanded device type for source slave.<br>Enter: 000...65535  |
| C3.1.5.3 Slave Device ID      | Enter source slave address   |
| C3.1.5.4 Capture Command      | Select source command number: 1 / 2 / 3 / 9 / 33   |
| C3.1.5.5 Slot Number          | Describes slot to process in response message. Select 1...8 (depending on source command number).  |
| C3.1.5.6 Shed Time            | Shed time for mapping.<br>Define: 0...max.   |
| C3.1.6 Catch DV Pressure      | Same options as C3.1.5.  |

Table 6-28: Menu description C3

| Function                | Setting / Description   |
|-------------------------|---|
| <b>C4 Totalizer</b>     |   |
| C4.1 Flow Totalizer     |   |
| C4.1.1 Measurement      | Select: Volume Flow / Norm. Volume Flow / Mass Flow<br>"Norm. Vol." is only available if fluid is "Gas", "Wet Gas" or "Gas Mixture".        |
| C4.1.2 Preset Value     | Set value, which triggers signal on status output (refer to C2.2.4.1).  |
| C4.1.3 Reset Totalizer? | Select: Yes / No  |
| C4.1.4 Set Start Value  | Set start value in selected unit.<br>Start value has to be confirmed with "Yes" or refused with "No".                                       |
| C4.1.5 Start Totalizer? | Select: Yes / No  |
| C4.1.6 Stop Totalizer?  | Select: Yes / No  |
| C4.1.7 Information      | Display of current totalizer values.<br>The menus C4.1.7.1 to C4.1.7.3 are available depending on selected measurement variable in C4.1.1.  |
| C4.1.7.1 Volume         | Display of current totalizer value for volume flow.   |
| C4.1.7.2 Norm. Volume   | Display of current totalizer value for norm. volume flow.   |
| C4.1.7.3 Mass           | Display of current totalizer value for mass flow.   |
| C4.2 Energy Totalizer   | This menu is available for meter types $\neq$ "Standard" and for medium = "Steam" or "Water".   |
| C4.2.1 Measurement      | Select: Gross Energy / Net Energy<br>"Net Energy" is only available, if fluid = "Steam" or medium = "Water".                                |
| C4.2.2 Preset Value     | Set value, which triggers signal on status output.  |
| C4.2.3 Reset Totalizer? | Select: Yes / No  |
| C4.2.4 Set Start Value  | Enter current value in selected unit.<br>Start value has to be confirmed with "Yes" or refused with "No".                                   |
| C4.2.5 Start Totalizer? | Select: Yes / No  |
| C4.2.6 Stop Totalizer?  | Select: Yes / No  |
| C4.2.7 Information      | Display of current totalizer values.<br>The menus C4.2.7.1 and C4.2.7.2 are available depending on selected measurement variable in C4.2.1. |
| C4.2.7.1 Gross Energy   | Display of current totalizer value for gross energy.  |
| C4.2.7.2 Net Energy     | Display of current totalizer value for net energy.  |

Table 6-29: Menu description C4

| Function           | Setting / Description  |
|--------------------|--|
| <b>C5 Display</b>  |  |
| C5.1 Language      | Available display languages: German, English, French, Italian, Spanish, Russian, Chinese, Swedish, Danish, Czech, Polish, Turkish, Slovenian;<br>13 further languages in preparation (for details refer to <i>Menu languages</i> on page 60) |
| C5.2 Contrast      | Adjust contrast of local display (-10...+10).  |
| C5.3 1. Meas. Page | Configuration of the first measurement display page.   |
| C5.3.1 Function    | Select: One Value / Two Values / Three Values / One Value & Bargraph / Two Values & Bargraph   |

| Function                   | Setting / Description  |
|----------------------------|--|
| <b>C5 Display</b>          |  |
| C5.3.2 Measurement 1. Line | Select: Volume Flow / Norm. Volume Flow / Mass Flow / Volume / Norm. Volume / Mass / Temperature1 / Temperature2 / Pressure / Density / Vortex Frequency / Velocity / Specific Enthalpy / Specific Heat Capacity / Reynolds Number<br><br>The following options are only available for meter types "Heat" / "Heat & Dens. by Pres." / "Heat & Dens. & FAD":<br>Gross Power / Net Power / Gross Energy / Net Energy / FAD (only available with the meter type "Heat & Dens. & FAD") |
| C5.3.3 0% Range            | The set value represents the 0% point of the bargraph indication. Usually 0% flow = 4 mA, but it is also possible to define a higher flow value for 4 mA.<br><br>This menu is only available, if an option containing a bargraph was selected in C5.3.1.   |
| C5.3.4 100% Range          | The set value represents the 100% point of the bargraph indication. Usually 100% flow = 20 mA, but it is also possible to define a lower flow value for 20 mA.<br><br>This menu is only available, if an option containing a bargraph was selected in C5.3.1.  |
| C5.3.5 Format 1. Line      | Automatic or 1...8 digits  |
| C5.3.6 Measurement 2. Line | Same as C5.3.2, visible if more than one value was selected in C5.3.1.   |
| C5.3.7 Format 2. Line      | Same as C5.3.5, visible if more than one value was selected in C5.3.1.   |
| C5.3.8 Measurement 3. Line | Same as C5.3.2, visible if three values were selected in C5.3.1.   |
| C5.3.9 Format 3. Line      | Same as C5.3.5, visible if three values were selected in C5.3.1.   |
| C5.4 2. Meas. Page         | Same options as in C5.3.   |

Table 6-30: Menu description C5

| Function                      | Setting / Description   |
|-------------------------------|---|
| <b>C6 Device</b>              |   |
| C6.1 Information              |   |
| C6.1.1 Tag                    | Entry and display of measuring point identifier (8 digits).   |
| C6.1.2 Long Tag               | Entry and display of long measuring point identifier (1...32 digits).<br><br>Entry will be displayed in the header bar on the LC display (depending on letter size, min. 11 digits can be displayed). |
| C6.1.3 Meter Type             | Display of meter type as activated in A10 or C6.3.2...C6.3.4 (read-only).   |
| C6.1.4 Serial Number          | Individual device ID (read-only).   |
| C6.1.5 Manufacturer ID        | HART <sup>®</sup> Manufacturer ID = 00042 (0x2A) [SIEMENS] (read-only)  |
| C6.1.6 Device Name            | SITRANS FX330 (read-only)   |
| C6.1.7 V Number               | Internal order number (read-only).  |
| C6.1.8 Electronic Revision    | Electronic revision of this device as listed on device nameplate (for details refer to <i>Software history</i> on page 6).  |
| C6.1.9 Device Revision        | (read-only)   |
| C6.1.10 Software Revision     | (read-only)   |
| C6.1.11 Hardware Revision     | (read-only)   |
| C6.1.12 Electronic Serial No. | Individual ID of electronics component (read-only).   |
| C6.1.13 CG Number             | Article code for signal converter hardware (read-only).   |
| C6.1.14 Production Date       | (read-only)   |
| C6.1.15 Calibration Date      | (read-only)   |
| C6.2 Security                 |   |

| Function                     | Setting / Description  |
|------------------------------|--|
| <b>C6 Device</b>             |  |
| C6.2.1 Login                 | Enter four digit password to gain a specific access level (for details refer to <i>Security and permissions</i> on page 58).   |
| C6.2.2 Change Password       | Change the password associated to the access level currently active.   |
| C6.2.3 Reset Passwords       | Reset all passwords to their default setting (for details refer to <i>Security and permissions</i> on page 58).  |
| C6.2.4 Unlock SIL            | Enter four digit password to unlock SIL mode (if not unlocked by order) and confirm with enter key. For details refer to "Safety Manual".                                      |
| <b>C6.3 Extras</b>           |  |
| C6.3.1 Meter Type            | Display of meter type as activated in A10 or C6.3.2...C6.3.4 (read-only).  |
| C6.3.2 Heat                  | Activate a different meter type in order to enable advanced measurement options (Gross/net heat, density by pressure or FAD) using a unique authorisation code.                |
| C6.3.3 Heat & Dens. by Pres. |  |
| C6.3.4 Heat & Dens. & FAD    |  |
| <b>C6.4 Errors</b>           |  |
| C6.4.1 Message View          | NAMUR messages (F, S, M, C, I)<br><br>For further information refer to <i>Status messages and diagnostic information</i> on page 90.   |
| C6.4.4 Error Mapping         | For specific NE 107 events it is possible to redefine the status type.   |
| C6.4.4.1 Totalizer           | This function defines the NE 107 status type for the totalizer overflow.<br>Select: Information / Maintenance Request / Out of Specification / Function Check / Failure / None |

Table 6-31: Menu description C6.1 - C6.4

| Function                    | Setting / Description   |
|-----------------------------|---|
| <b>C6 Device</b>            |   |
| <b>C6.5 Units</b>           |   |
| 6.5.1 Volume Flow           | C6.5.2 Cst. Volume Flow<br><br>In all even numbered menus C6.5.2 to .22 Cst. Units (Custom Units) there is a submenu with the prompt for "Text", "Offset" and "Factor". |
| 6.5.3 Norm. Vol. Flow       | 6.5.4 Cst. Norm. Vol. Flow  |
| 6.5.5 Mass Flow             | 6.5.6 Cst. Mass Flow  |
| 6.5.7 Power                 | 6.5.8 Cst. Power  |
| 6.5.9 Volume                | 6.5.10 Cst. Volume  |
| 6.5.11 Norm. Volume         | 6.5.12 Cst. Norm. Volume  |
| 6.5.13 Mass                 | 6.5.14 Cst. Mass  |
| 6.5.15 Energy               | 6.5.16 Cst. Energy  |
| 6.5.17 Pressure             | 6.5.18 Cst. Pressure  |
| 6.5.19 Temperature          | 6.5.20 Cst. Temperature   |
| 6.5.21 Density              | 6.5.22 Cst. Density   |
| <b>C6.6 Factory Default</b> |   |
| C6.6.1 Reset to Fact. Def.? | Query: Reset to Fact. Def.?<br><br>Press "→" and confirm reset to factory default with "Yes" or refuse with "No".   |
| C6.8 Proof Test             | For details refer to the "Safety Manual".   |

Table 6-32: Menu description C6.5 - C6.8

## 6.8 Setting examples

### 6.8.1 Settings for free air delivery measurement - FAD

For the use of the FAD functionality the following parameters have to be entered into the vortex flowmeter:

- Ambient temperature (inlet)
- Atmospheric pressure (inlet)
- Air humidity (inlet and outlet)
- Motor speed (rated speed and actual speed)
- Filter pressure drop

The following configuration example describes an easy way to program all necessary parameters and settings.

| Function                                   | Parameters  |
|--|---|
| C6.3 Extras                                | Activate meter type option "Heat & Dens. & FAD" by entering the proper four digit code (if not activated by order). This needs to be done once. |
| <b>Enter process parameters:</b>           |   |
| C1.1 Fluid                                 | Gas   |
| C1.2 Medium                                | Air   |
| C6.5 Units                                 | Set units for temperature, pressure and flow.   |
| C1.3.3 Inlet Temperature                   | Enter value in selected unit.   |
| C1.3.4 Atm. Pressure                       | Enter value in selected unit.   |
| C1.3.5 Filter Pressure Drop                | Enter value in selected unit.   |
| C1.3.6 Inlet Rel. Humidity                 | Enter value in %.   |
| C1.3.7 Outlet Rel. Humidity                | Enter value in %.   |
| C1.3.8 Compressor RPM                      | Enter value in RPM.   |
| C1.3.9 Rated Compr. RPM                    | Enter value in RPM.   |
| <b>Configure output:</b>                   |   |
| C2.1 Current Output                        |   |
| C2.1.1 Current Out. Meas.                  | FAD   |
| C2.1.2 0% Range; C2.1.3 100% Range         | Enter value for 0% and 100% in selected unit.   |
| <b>Display one value on local display:</b> |   |
| C5.3.1 Function                            | One Value & Bargraph  |
| C5.3.2 Measurement 1. Line                 | FAD   |
| C5.3.3 0% Range; C5.3.4 100% Range         | Enter bargraph range limits (0% / 100%) in selected unit.   |

Table 6-33: Settings for free air delivery measurement - FAD



**INFORMATION!**

*This is an example setup for basic FAD measurement. Other setup options are feasible.*

## 6.8.2 Gross heat measurement

In order to calculate gross power the mass flow (compensated by density) is multiplied by the specific enthalpy:

$$\text{Gross power } [Q_H] = \text{mass flow } [Q_m] \times \text{enthalpy } [H]$$

When measuring gross heat, internally both the flow totalizer and the energy totalizer are used.

The following configuration example describes an easy way to program all necessary settings. For this example is assumed that the internal temperature and pressure sensor are used for the gross heat calculation of superheated steam.

| Function  | Parameters   |
|---|--|
| C6.3 Extras   | Activate one of the meter type options "Heat" (for saturated steam and temperature compensation) or "Heat & Dens. by Pres." (for superheated steam and density compensation by temperature and pressure) by entering the proper four digit code (if not activated by order). This needs to be done once. |
| <b>Enter process parameters:</b>  |  |
| C1.1 Fluid  | Steam  |
| C1.2 Medium   | Superheated Steam  |
| C1.6 Temp. Sensor   |  |
| C1.6.1 Temp. Source1  | Internal ("Temp. Source2" must not be selected as "Internal")  |
| C1.7 Pressure Sensor  |  |
| C1.7.1 Pressure Source  | Internal   |
| C6.5 Units  | Set units for temperature, pressure and flow.  |
| C1.10 Operating Values  |  |
| C1.10.3 Oper. Density   | Operating density is important for sensor limits but will not be used during operation.  |
| <b>Configure output and totalizers:</b>                                 |  |
| C2.1 Current Output   |  |
| C2.1.1 Current Out. Meas.   | Gross Power  |
| C2.1.2 0% Range; C2.1.3 100% Range                                      | Enter value for 0% and 100% in selected unit.  |
| C4.2 Energy Totalizer   |  |
| C4.2.1 Measurement  | Gross Power  |
| C4.2.5 Start Totalizer?   | Yes  |
| <b>Display two values on local display: (Gross power, Gross energy)</b> |  |
| C5.3.1 Function   | Two Values   |
| C5.3.2 Measurement 1. Line  | Gross Power  |
| C5.3.6 Measurement 2. Line  | Gross Energy   |

Table 6-34: Gross heat measurement



### **INFORMATION!**

*This is an example setup for basic gross heat measurement. Other setup options are feasible.*



### 6.8.3 Net heat measurement

To determine the amount of energy, which is consumed by a plant, the gross heat quantity must be reduced by the amount of energy, which is returned to the energy cycle. In the following configuration example it is assumed that the gross heat quantity is determined for superheated steam by the internal sensors and the outlet temperature value is fed into the device via the current input.

| Function  | Parameters   |
|---|--|
| C6.3 Extras   | Activate one of the meter type options "Heat" (for saturated steam and temperature compensation) or "Heat & Dens. by Pres." (for superheated steam and density compensation by temperature and pressure) by entering the proper four digit code (if not activated by order). This needs to be done once. |
| <b>Enter process parameters:</b>                                    |  |
| C1.1 Fluid  | Steam  |
| C1.2 Medium   | Superheated Steam  |
| C1.5 Current Input  |  |
| C1.5.1 Function   | On   |
| C1.5.2 Current Input Meas.  | Temperature External   |
| C1.6 Temp. Sensor   |  |
| C1.6.1 Temp. Source1  | Internal   |
| C1.6.2 Temp. Source2  | External   |
| C1.7 Pressure Sensor  |  |
| C.1.7.1 Pressure Source   | Internal   |
| C6.5 Units  | Select units of temperature, pressure, volume flow, power and energy.  |
| C1.10 Operating Values  |  |
| C1.10.3 Oper. Density   | Operating density is important for sensor limits but will not be used during operation.  |
| <b>Configure output and totalizers:</b>                             |  |
| C2.1 Current Output   |  |
| C2.1.1 Current Out. Meas.   | Net Power  |
| C2.1.2 0% Range; C2.1.3 100% Range                                  | Enter value for 0% and 100% in selected unit.  |
| C4.2 Energy Totalizer   |  |
| C4.2.1 Measurement  | Net Power  |
| C4.2.5 Start Totalizer?   | Yes  |
| <b>Display two values on local display: (net power, net energy)</b> |  |
| C5.3.1 Function   | Two Values   |
| C5.3.2 Measurement 1. Line  | Net Power  |
| C5.3.6 Measurement 2. Line  | Net Energy   |

Table 6-35: Net heat measurement



**INFORMATION!**

*This is an example setup for basic net heat measurement. Other setup options are feasible.*

## 6.9 Status messages and diagnostic information

The diagnostic messages are displayed in accordance with NAMUR standard NE 107. The error messages for the device are divided into status groups, each with one status signal. There are 16 status groups with fixed status signals and 8 groups with variable status signals. To facilitate identification of the problem source, the status groups are then divided into: Sensor, Electronics, Configuration and Process.



### **INFORMATION!**

*As a status message, always the event group name and the the status signal (F/S/M/C) are displayed.*

Each status message (= status signal) has a specific symbol, determined by NAMUR, which is displayed with the message. The length of each message is limited to one line.





| Symbol  | Letter | Status signal        | Description and consequence  |
|---|--------|----------------------|--|
|    | F      | Failure              | No measurement possible.   |
|    | S      | Out of specification | Measurements are available but are no longer sufficiently accurate and should be checked.                                |
|  | M      | Maintenance required | Measurements are still accurate but this could soon change.  |
|  | C      | Function check       | A test function is active. The displayed or transferred measured value does not correspond to the actual measured value. |
|   | I      | Information          | No direct influence on the measurements.   |

Table 6-36: Symbols for status messages



### **INFORMATION!**

*Some of the following elimination measures require a hard reset. In case a hard reset is performed please wait for approx. 10 seconds before powering the device again.*

| Status type | Event group | Single event               | Description  | Actions to eliminate the event   |
|-------------|-------------|----------------------------|--|--|
| F           | Sensor      |                            |  |  |
|             |             | Fatal Sensor Error         | An internal error in the sensor module has occurred.   | Perform a hard reset. If the message recurs, contact the manufacturer.   |
|             |             | No Temperature Sensor      | The internal temperature sensor (PT1000) is not connected or its resistance is too high. The process temperature cannot be measured. | Check the pick-up and its connection. Contact the manufacturer, if necessary.  |
|             |             | Sensor Comm. Error         | Error in the internal bus communication or hardware failure.   | For remote version: Check the sensor connection.<br>All versions: Perform a hard reset. If the message recurs, contact the manufacturer.                           |
|             |             | No/Invalid Pressure Sensor | Pressure sensor not available or invalid communication   | Check the connection of the pressure sensor. Perform a hard reset. If the message recurs, contact the manufacturer.  |
|             |             | Corrupt Sensor Parameter   | Sensor parameters are inconsistent   | Check sensor parameters.   |
|             |             | Failed Sensor Input Test   | The continuous self test of the sensor electronic failed.  | Perform a hard reset. If the message recurs, contact the manufacturer.   |
|             |             | Failed Sensor MCU Test     | The continuous self test of the sensor electronic failed.  | Perform a hard reset. If the message recurs, contact the manufacturer.   |
|             |             | Temperature Sensor Error   | The resistance of the internal temperature sensor (PT1000) is too low.   | Check the pick-up and its connection. Perform a hard reset. Contact the manufacturer, if necessary.  |
|             |             | No Measurement Value       | $Q_v$ or $Q_m$ have timed out or are inconsistent.   | For remote version: Check the sensor connection.<br>All versions: Perform a hard reset. If the message recurs, contact the manufacturer.                           |
|             |             | Temporary Piezo Error      | Piezo signals partly disturbed.  | Check the process conditions, proper shielding/grounding and the installation situation.<br>Perform a hard reset. If the message recurs, contact the manufacturer. |
|             |             | Fatal Piezo Error          | Piezo signals disturbed.   | Check the process conditions, proper shielding/grounding and the installation situation.<br>Perform a hard reset. If the message recurs, contact the manufacturer. |
|             |             | Piezo Path disrupted       | Sensor electronics error.  | Perform a hard reset. If the message recurs, contact the manufacturer.   |
|             |             | Piezo Shortcut             | Shortcut on piezo or sensor electronics detected.  | Perform a hard reset. If the message recurs, contact the manufacturer.   |

| Status type | Event group                | Single event                                  | Description  | Actions to eliminate the event  |
|-------------|----------------------------|---|--|---|
| F           | Electronics                |   |  |   |
|             |                            | Fatal DM Error                                | Internal error.  | Perform a hard reset. If the message recurs, contact the manufacturer.  |
|             |                            | Fatal CO Error                                | Internal error.  |   |
|             |                            | Fatal Converter Error                         | An electronics or hardware failure has occurred.   |   |
|             |                            | Emergency Off active                          | The current output has triggered a safety reaction and is signaling a failure current below 3.6 mA or above 21 mA. | Follow the instructions of the "Safety Manual".   |
|             |                            | Internal Comm. Error                          | Error in the internal bus communication.   | Perform a hard reset. If the message recurs, contact the manufacturer.  |
|             |                            | Inconsistent Parameters                       | Error in the internal bus communication.   | Check the parameters and make sure that the set of data is consistent. Additional information on the error can be called via HART <sup>®</sup> interface. |
|             |                            | Sensor Comm. Error                            | Error in the internal bus communication or hardware failure.   | Perform a hard reset. If the message recurs, contact the manufacturer.  |
|             |                            | Power Supply Error                            | Internal voltage too low to switch on sensor power supply.   | Check power supply connection or replace the electronics.   |
|             |                            | Sensor/Conv. FW Mismatch                      | Incompatible firmware versions in the sensor and the converter module.   | Perform a hard reset. If the message recurs, contact the manufacturer.  |
|             |                            | Max. Number of Restarts                       | The device could not start the measuring mode after a cold starting.   | Perform a hard reset once again. If the message recurs, contact the manufacturer.   |
|             |                            | Converter Overvoltage                         | An electronics or hardware failure has occurred.   | Perform a hard reset. If the message recurs, contact the manufacturer.  |
|             | Intern. Comm. Error        | Error in the internal bus communication.      | Perform a hard reset. If the message recurs, contact the manufacturer.   |   |
| F           | Configuration              |   |  |   |
|             |                            | Voting Error                                  | Same flow calculation on redundant processors have yielded different results.                                      | Perform a hard reset. If the message recurs, contact the manufacturer.  |
|             |                            | Inconsistent NVRAM                            | Inconsistent data in the parameter memory.   |   |
|             |                            | Error Starting SIL Mode                       | -  | -   |
|             |                            | CO Float Error                                | Error in processing of the measuring value due to inconsistent set of parameter.                                   | Load the factory settings and perform a hard reset. If the message recurs, contact the manufacturer.  |
|             |                            | Incons. Converter Calib.                      | Faulty calibration data in the converter module.   | Contact the manufacturer.   |
|             | Incons. Sensor Calibration | Faulty calibration data in the sensor module. |  |   |

| Status type | Event group   | Single event              | Description   | Actions to eliminate the event   |
|-------------|---------------|---------------------------|---|--|
| F           |               | NVRAMs Mismatch           | Incompatible serial numbers of display and electronic module.                                   | Use displays and electronic modules, which belong together. Contact the manufacturer, if necessary.  |
|             |               | Conv. NVRAM Layout Error  | Incompatible data in parameter memory.  | Perform a hard reset. If the message recurs, contact the manufacturer.   |
|             |               | Disp. NVRAM Layout Error  | Incompatible data after firmware update.  |  |
|             |               | SIL Verification Required | SIL mode is requested. A verification (maintenance mode 2) has to be performed by the operator. | Verify the parameters for the SIL mode according to the instructions of the safety manual and confirm the correctness with the SIL jumper. |
| C           | Electronics   |                           |   |  |
|             |               | Firmware Update Active    | A firmware update of the converter module has been started.                                     | Wait for firmware update to finish.  |
| C           | Configuration |                           |   |  |
|             |               | Sensor Sim. Active        | A simulation of the sensor is active.   | Stop the simulation of the sensor variables.   |
|             |               | Current Out. Sim. Active  | A simulation of the current output is active.   | Stop the simulation of the current output variables  |
|             |               | Current In. Sim. Active   | A simulation of the current input is active.  | Stop the simulation of the current input variables   |
|             |               | HART Sim. Active          | Simulation of a measuring value via HART® interface.  | Stop the simulation via the HART® interface.   |
|             |               | Flow Comp. Sim. Active    | A simulation of measurement value processing is active.   | Stop the simulation of the measurement value processing.   |
|             |               | Binary Output Sim. Active | A simulation of the binary output is active.  | Stop the simulation of the binary output variables.  |
|             |               | Totalizer Sim. Active     | A simulation of the totalizer is active.  | Stop the simulation of the totalizer variables.  |
|             |               | SIL Proof test            | Device is in maintenance mode 3 (proof test for SIL).   | Perform the test according to the instruction in the "Safety Manual".  |
|             |               | Parameterization Test     | Device is in maintenance mode 3 (parameterization test).  |  |

| Status type | Event group                | Single event   | Description   | Actions to eliminate the event   |
|-------------|----------------------------|--|---|--|
| S           | Sensor                     |  |   |  |
|             |                            | Flow Meas. Out of Spec.  | The vortex frequency or the volume flow is out of range. The real flow is higher or lower than the indicated value.   | Check the process conditions.  |
|             |                            | Low Flow Cutoff Undercut   | Volume flow is lower than low flow cutoff (LFC)   | Check the low flow cut-off or the process conditions.  |
|             |                            | Weak Flow Meas. Signal   | The vortex signal is too weak or disturbed.   | Check the process conditions and the installation situation. Eliminate external disturbances. If the message recurs, contact the manufacturer. |
|             |                            | Pres.Sen.Temp. Out of Spec.  | Temperature of the internal pressure sensor out of specification.   | Make sure that the device is operated within the permissible temperature range.  |
|             | Elec. Temp. Out Of Spec.   | The electronic temperature of the sensor module is out of specification. |   |  |
| S           | Electronics                |  |   |  |
|             | Elec. Temp. Out Of Spec.   | The electronic temperature of the converter is out of specification.     | Make sure that the device is operated within the permissible temperature range.   |  |
| S           | Process                    |  |   |  |
|             |                            | CO Undersaturation   | The measurement value is lower than the lower range value of the current output. The current output is saturated and does not reflect the effective measuring value.  | Check the process conditions and the lower current output limit.   |
|             |                            | CO Oversaturation  | The measurement value is higher than the upper range value of the current output. The current output is saturated and does not reflect the effective measuring value. | Check the process conditions and the upper current output limit.   |
| S           | Config: Totalizer          |  |   |  |
|             |                            | Flow Totalizer Overflow  | The actual value of the flow counter exceeds its preset value.  | Check the setting of the flow counter or reset the counter.  |
|             |                            | Energy Totalizer Overflow  | The actual value of the energy counter exceeds its preset value.  | The actual value of the energy counter exceeds its preset value.   |
| M           | Sensor Information         |  |   |  |
|             |                            | Faulty Sensor Oscillator   | The sensor oscillator is working out of range.  | Perform a hard reset. If the message recurs, contact the manufacturer.   |
|             | Faulty sensor voltage ref. | Reference voltage in sensor module out of specification.                 |   |  |

| Status type | Event group             | Single event                | Description   | Actions to eliminate the event   |
|-------------|-------------------------|-----------------------------|---|--|
| M           | Electronics Information |                             |   |  |
|             |                         | Faulty Converter Oscillator | The converter oscillator is working out of range.                   | Perform a hard reset. If the message recurs, contact the manufacturer.   |
|             |                         | Faulty conv. voltage ref.   | Reference voltage in converter module out of specification.         |  |
| C           | Process                 |                             |   |  |
|             |                         | Heater / Cooler Error       | During net heat metering the difference in temperature is reversed. | Check net heat metering setup.<br>Check temperature input configuration. |

Table 6-37: Status messages

## 6.10 A12 plausibility checks

When configuring the device, a number of complex "cluster" checks are run internally on the proposed configuration in order to make sure it is valid. Thus when saving a configuration the device might raise an error like this: "Failed E01", which indicates an error cluster number. In this case please consult the indicated cluster number in the following table to find out which parameters are affected.

You may also want to enter in the quick setup menu "A12 Cluster Checks" and check each setting in the affected "cluster" submenu.

| No. | Name   | Explanation of plausibility checks  |
|-----|--|---|
| 01  | Sensor Configuration / Fluid                 | After changing fluid, operating density or operating temperature the device checks whether the measurement variables configured at the device's outputs are still valid (HART <sup>®</sup> variables, frequency output, pulse output, status output, limit switch, local display and flow totalizer). Also their configured ranges are checked.   |
| 02  | Medium                                       | When selecting the medium the device checks whether the measurement variables configured at the device's outputs are still valid (HART <sup>®</sup> variables, frequency output, pulse output, status output, limit switch, local display and flow totalizer).<br><br>Additionally the configuration of temperature sources and pressure sources is checked.  |
| 03  | Meter Type                                   | When changing the meter type the device will check whether the measurement variables configured at the device's outputs are still valid (HART <sup>®</sup> variables, frequency output, pulse output, status output, limit switch, local display and flow totalizer).<br><br>It also checks if the currently selected medium is supported by the new meter type as well as the configuration of temperature sources and pressure sources. |
| 04  | Temperature / Pressure                       | Checks configuration of temperature sources and pressure sources.   |
| 05  | Current output / primary HART variable       | Checks if selected measurement variable is valid. Also checks limit settings for 0% and 100%.   |
| 06  | Frequency output / Secondary HART variable   | Checks if the frequency output/secondary HART <sup>®</sup> variable is valid. Also checks if the selected measurement variable is available in this context and if its range is valid.  |
| 07  | Current input / Tertiary HART variable       | If the current input is selected to provide temperature or pressure measurement data, the device checks the configuration of temperature sources and pressure sources.<br><br>It also checks if the current input range (4 mA / 20 mA) is valid.  |
| 08  | Quaternary HART Variable                     | Checks if the measurement variable configured as quaternary HART <sup>®</sup> variable is valid.  |
| 09  | Flow Totalizer                               | Checks if the measurement variable selected for the flow totalizer (volume flow, standard volume flow, mass flow) is valid. Also checks configuration of the HART <sup>®</sup> variables, limit switch and local display.   |
| 10  | Measurement Display Pages                    | Checks if the measurement variables selected on both measurement display pages are valid.<br><br>If a bar graph is displayed its ranges are also checked.   |
| 11  | Gas Mix Total                                | If a gas mixture is selected as medium, the device checks if all individual gas components add up to 100%.  |
| 12  | HART Catch Variable (Temperature / Pressure) | If temperature or pressure data input is provided by HART <sup>®</sup> , the device checks if the "Slot Number" fits in with the "Capture Command".   |

Table 6-38: A12 plausibility checks



## 7.1 Replacing signal converter / LC display

The signal converter has to be replaced by a converter of the same type. The item number ⑦ must match: 40021445xx

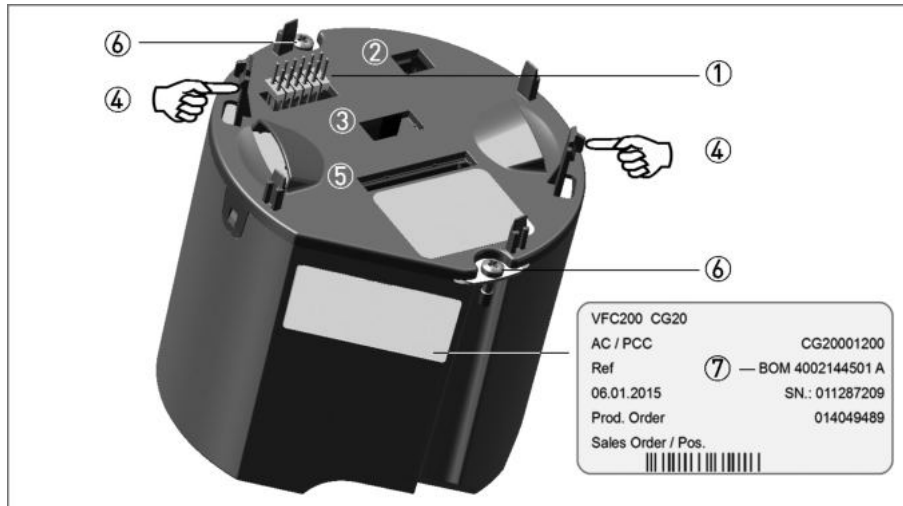


Figure 7-1: Connect transmitter module

- ① Connector for LC display
- ② Service connector
- ③ SIL connector
- ④ Display brackets
- ⑤ Connection to the flow sensor
- ⑥ Fixing screw
- ⑦ Item number



### The following steps are to be performed:

- Switch off the power supply.
- Unscrew the front cover with the key.
- Use the handle to pull out the display by plugging into the brackets ④ and gently pulling it out.
- Detach the flow sensor connection ⑤.
- Loosen the two fixing screws ⑥.
- Pull out signal converter.
- Insert new signal converter.
- Tighten the two screws ⑥.
- Attach the flow sensor cable ⑤.
- Attach display ① in desired position, apply even pressure to the entire surface.
- Screw on cover by hand.

## 7.2 Maintaining the O-rings



Figure 7-2: Maintaining the O-rings

- ① Display cover
- ② Rear cover

Whenever either the display cover ① or the rear cover ② of the housing is opened and closed again, make sure that the O-rings are well greased or being replaced if need be (O-ring 94x2,5-NBR-70K, ISO 3601-1).



**CAUTION!**

Use proper multi-purpose grease covering the full operational temperature range to treat the O-rings with the following properties:

- Operational temperature range [-30...+130° C / -22...+266° F at permanent lubrication]
- Free from silicone
- Good adhesive capability
- Lithium saponified
- Water resistant
- Compatible with material of O-ring

## 7.3 Spare parts availability

The manufacturer adheres to the basic principle that functionally adequate spare parts for each device or each important accessory part will be kept available for a period of 3 years after delivery of the last production run for the device.

This regulation only applies to spare parts which are subject to wear and tear under normal operating conditions.

## 7.4 Availability of services

The manufacturer offers a range of services to support the customer after expiration of the warranty. These include repair, maintenance, technical support and training.



**INFORMATION!**

*For more precise information, please contact your local sales office.*

## 7.5 Return procedure

If the original packaging is no longer available, ensure that all shipments are properly packaged to provide sufficient protection during transport. Siemens cannot assume liability for any costs associated with transportation damages.



**CAUTION!**

***Insufficient protection during storage***

*The packaging only provides limited protection against moisture and infiltration.*

- *Provide additional packaging as necessary.*

Special conditions for storage and transportation of the device are listed in "Technical data".

Enclose the bill of lading, return document and decontamination certificate in a clear plastic pouch and attach it firmly to the outside of the packaging.

### Required forms

- Delivery note
- Return goods delivery note (<http://www.siemens.com/processinstrumentation/returngoodsnote>) with the following information:
  - Product (item description)
  - Number of returned devices/replacement parts
  - Reason for returning the item(s)
- Decontamination declaration (<http://www.siemens.com/sc/declarationofdecontamination>)  
With this declaration you warrant "that the device/replacement part has been carefully cleaned and is free of residues. The device/replacement part does not pose a hazard for humans and the environment."  
If the returned device/replacement part has come into contact with poisonous, corrosive, flammable or water-contaminating substances, you must thoroughly clean and decontaminate the device/replacement part before returning it in order to ensure that all hollow areas are free from hazardous substances. Check the item after it has been cleaned. Any devices/replacement parts returned without a decontamination declaration will be cleaned at your expense before further processing.

## 7.6 Disposal



### LEGAL NOTICE!

*Disposal must be carried out in accordance with legislation applicable in your country.*

### Separate collection of WEEE (Waste Electrical and Electronic Equipment) in the European Union:



According to the directive 2012/19/EU, the monitoring and control instruments marked with the WEEE symbol and reaching their end-of-life **must not be disposed of with other waste**. The user must dispose of the WEEE to a designated collection point for the recycling of WEEE or send them back to our local organisation or authorised representative.

## 8.1 Functional principle

Vortex flowmeters are used to measure the flow of gases, vapours and liquids at completely filled pipes.

The measuring principle is based on the Karman vortex street. The measuring tube contains a bluff body at which vortex shedding occurs and which is detected by a sensor unit located behind. The frequency  $f$  of the vortex shedding is proportional to the flow velocity  $v$ . The non-dimensional Strouhal number  $S$  describes the relationship between vortex frequency  $f$ , width  $b$  of the bluff body and the average flow velocity  $v$ :

$$f = \frac{S \cdot v}{b}$$

The vortex frequency is recorded at the flow sensor and evaluated at the signal converter.

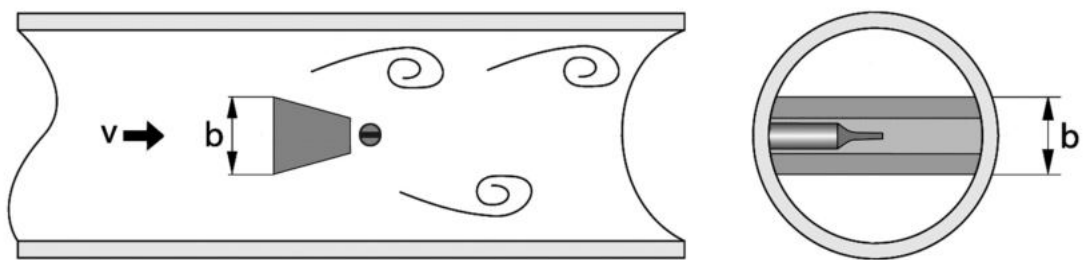


Figure 8-1: Functional principle

## 8.2 Technical data



### INFORMATION!

- The following data is provided for general applications. If you require data that is more relevant to your specific application, please contact us or your local sales office.
- Additional information (certificates, special tools, software,...) and complete product documentation can be downloaded free of charge from the website.

### Measuring system

|                                   |  |
|-----------------------------------|--|
| Application range                 | Flow measurement of liquids, gases and vapours   |
| Function / Measuring principle    | Karman vortex street   |
| <b>Measurement</b>                |  |
| Primary measured value            | Number of separated vortices   |
| Secondary measured value          | Operating and standard volume flow and mass flow   |
| <b>Signal converter</b>           |  |
| Versions                          | Compact version  |
|                                   | Remote version   |
| <b>Flow sensor</b>                |  |
| Standard                          | Flange version (with integrated temperature measurement), flow sensor: F   |
|                                   | Sandwich version (with integrated temperature measurement), flow sensor: S   |
| Option                            | Basic device with additional pressure measurement  |
|                                   | Basic device with additional pressure measurement and shut-off valve for pressure sensor   |
|                                   | Dual measuring device in both flange and sandwich version (redundant measurement)  |
|                                   | Dual measuring device with additional pressure measurement   |
|                                   | Flange version with single reduction of nominal diameter, flow sensor: F1R   |
|                                   | Flange version with double reduction of nominal diameter, flow sensor: F2R   |
| <b>Display and user interface</b> |  |
| Local display                     | Graphic display  |
| Interface and display languages   | German, English, French, Italian, Spanish, Russian, Chinese, Swedish, Danish, Czech, Polish, Turkish, Slovenian; 13 further languages (in preparation) |
| Communication interfaces          | HART <sup>®</sup> , Foundation Fieldbus and Profibus PA  |

## Measuring accuracy

| Reference condition  |   |
|--|---|
| Reference conditions   | Water at +20°C / +68°F                          |
|  | Air at +20°C / +68°F and 1.013 bara / 14.7 psia |
| Maximum measuring error  |   |
| Volume flow (liquid)   | ±0.75% of measured value (Re ≥ 20000)           |
|  | ±2.0% of measured value (10000 < Re < 20000)    |
| Volume flow (gases and steam)  | ±1.0% of measured value (Re ≥ 20000)            |
|  | ±2.0% of measured value (10000 < Re < 20000)    |
| Mass flow (gases and steam)  | ±1.5% of measured value (Re ≥ 20000) ①          |
|  | ±2.5% of measured value (10000 < Re < 20000) ①  |
| Mass flow (liquid / water)   | ±1.5% of measured value (Re ≥ 20000)            |
|  | ±2.5% of measured value (10000 < Re < 20000)    |
| Normalised volume flow (gas)   | ±1.5% of measured value (Re ≥ 20000) ①          |
|  | ±2.5% of measured value (10000 < Re < 20000) ①  |
| Repeatability (volume flow)  | ±0.1% of measured value                         |
| ① The maximum error of measurement refers to measurement at an operating pressure >65% of the full scale value of the applied pressure sensor. |   |
| Note: In SIL mode, deviating measuring errors have to be taken into account. For details refer to the "Safety Manual".                         |   |

## Operating conditions

| Temperature   |   |
|---|---|
| Medium temperature  | -40...+240°C / -40...+465°F                           |
| Ambient temperature ②   | Non-Ex: -40...+85°C / -40...+185°F                    |
|   | Ex: -40...+65°C / -40...+140°F                        |
| Storage temperature   | -40...+85°C / -40...+185°F                            |
| ② Decreasing display contrast outside of the temperature range of 0...+60°C / +32...+140°F. |   |
| Pressure  |   |
| Medium pressure   | Max. 100 bar / 1450 psi (higher pressures on request) |
| Ambient pressure  | Atmosphere  |
| Media properties  |   |
| Density   | Taken into consideration when sizing.                 |
| Viscosity   | < 10 cP   |
| Reynold's number  | > 10000   |

| Recommended flow velocities  |   |
|--|---|
| Liquids ③, ④   | 0.3...7 m/s / 0.98...23 ft/s (optional up to 10 m/s / 32.8 ft/s taking cavitation into account) |
| Gases and steam ③  | 2.0...80 m/s / 6.6...262.5 ft/s   |
|  | DN15: 3.0...45 m/s / 9.8...148 ft/s; DN25: 2.0...70 m/s / 6.6...230 ft/s                        |
| ③ These values represent the absolute limits of flow velocities. For more detailed information for your specific application refer to <i>Intended use</i> on page 7. |   |
| ④ $v_{\min} = 0.7$ m/s / 2.3 ft/s in SIL mode  |   |
| Other conditions   |   |
| Ingress protection   | Compact version: IP66/67  |
|  | Remote version: signal converter housing: IP66/67; flow sensor housing: IP66/67                 |

### Installation conditions

|                |  |
|----------------|--|
| Inlet section  | ≥ 15 x DN without disturbing flow, after pipe narrowing, after a single 90° bend |
|                | ≥ 30 x DN after a double bend 2x90°  |
|                | ≥ 40 x DN after a double three-dimensional bend 2x90°                            |
|                | ≥ 50 x DN after control valves   |
|                | ≥ 2 DN before flow straightener; ≥ 8 DN after flow straightener                  |
| Outlet section | ≥ 5 x DN   |

### Materials

|                                     |  |
|-------------------------------------|--|
| Flow sensor and process connections | Standard: 1.4404 / 316L  |
|                                     | Option: Hastelloy® C-22 on request                               |
| Electronics housing                 | Aluminium die-cast, two-layer coating (epoxy/polyester)          |
|                                     | Option: die-cast aluminium with finish for advanced requirements |
| Pressure sensor gasket              | Standard: FPM  |
|                                     | Option: FFKM   |
| Measuring tube gasket (Pick-up)     | Standard: 1.4435 / 316L  |
|                                     | Option: Hastelloy® C-276   |
|                                     | Selection depends on flow sensor material / medium.              |

### Process connections

| Flange version   |  |
|--|--|
| DIN EN 1092-1  | DN15...300 - PN16...100 (higher pressures on request)    |
| ASME B16.5   | 1/2...12" - 150...600 lb (higher pressures on request)   |
| JIS B 2220   | DN15...300 - JIS 10...20 K (higher pressures on request) |
| For detailed information on combination flange/pressure rating, refer to section "Dimensions and weights". |  |
| Sandwich version   |  |
| DIN  | DN15...100 - PN100 (higher pressures on request)         |
| ASME   | 1/2...4" - 600 lb (higher pressures on request)          |
| JIS  | DN15...100 - 10...20 K (higher pressures on request)     |



## Electrical connections

|  |   |
|--|---|
| Power supply<br>(current output version) | The power supply has to be able to supply a minimum of 22 mA. |
|  | Non-Ex: 12...36 VDC   |
|  | Ex i: 12...30 VDC   |
|  | Ex d: 12...32 VDC   |
| Cable entries                            | Standard: M20 x 1.5   |
|  | Option: 1/2" NPT and G1/2 adapters                            |
| Connecting cable                         | Only for remote versions.                                     |
|  | Cable length: ≤ 50 m / 164 ft                                 |

## Inputs and outputs

|                              |  |
|------------------------------|--|
| General                      | All inputs and outputs are electrically isolated from each other and from all other circuits.  |
| Time constant                | The time constant corresponds to 63% of the elapsed time of a processor procedure. 0...100 seconds (rounded up to 0.1 seconds)                                   |
| <b>Current output</b>        |  |
| Type                         | 4...20 mA HART® (passive)  |
| Output data                  | Volume flow, mass flow, norm. volume flow, gross/net power, free air delivery, density, temperature (internal sensor), pressure, vortex frequency, flow velocity |
| Resolution                   | 5 µA   |
| Linearity / accuracy         | 0.1% (of read value)   |
| Temperature coefficient      | 50 ppm/K (typically), 100 ppm/K (max.)   |
| Error signal                 | According to NE 43   |
| Description of abbreviations | $U_{ext}$ = external voltage; $R_L$ = load + resistance  |
| Load                         | Minimum 0 Ω; maximum $R_L = ((U_{ext} - 12 \text{ VDC}) / 22 \text{ mA})$  |
| <b>HART®</b>                 |  |
| General                      | HART® protocol via passive current output  |
| HART® revision               | HART® 7  |
|                              | Burst mode   |
|                              | Catch device   |
| System requirements          | Load min. 250 Ω  |
| Multidrop operation          | 4 mA   |
| <b>Binary output</b>         |  |
| Function                     | Pulse output, frequency output, status output, limit switch  |
| Type                         | Passive  |
|                              | Proximity sensor according to DIN EN 60947-5-6 (NAMUR sensor) or pulse output signal according to VDI/VDE 2188 (category 2)                                      |
| Temperature coefficient      | 50 ppm/K   |
| Residual current             | < 0.2 mA at 32 V ( $R_i = 180 \text{ k}\Omega$ )   |
| Pulse width                  | 0.5...2000 ms  |

| <b>Pulse output</b>     |  |
|-------------------------|--|
| Output data             | Volume, mass, norm. volume, gross/net energy   |
| Pulse rate              | Max. 1000 pulses/s   |
| Power supply            | Non-Ex: 24 VDC as NAMUR or open < 1 mA, maximum 36 V, closed 120 mA, U < 2 V   |
|                         | Ex: 24 VDC as NAMUR or open < 1 mA, maximum 30 V, closed 120 mA, U < 2 V   |
| <b>Frequency output</b> |  |
| Output data             | Volume flow, mass flow, norm. volume flow, gross/net power, free air delivery, density, temperature (internal sensor or via external input), pressure, vortex frequency, flow velocity, spec. enthalpy, spec. heat capacity, Reynolds number   |
| Max. frequency          | 1000 Hz  |
| <b>Status output</b>    |  |
| Output data             | Status according to NE 107 (F, S, C), flow totalizer overflow, energy totalizer overflow, fluid type (in steam applications)   |
| <b>Limit switch</b>     |  |
| Output data             | Volume flow, mass flow, norm. volume flow, volume, mass, norm. volume, gross/net power, gross/net energy, free air delivery, density, temperature (internal sensor or via external input), pressure, vortex frequency, flow velocity, spec. enthalpy, spec. heat capacity, Reynolds number |
| <b>Current input</b>    |  |
| Type                    | 4...20 mA (passive)  |
| Resolution              | 6 µA   |
| Linearity / accuracy    | 0.1% (of read value)   |
| Temperature coefficient | 100 ppm/K (typically), 200 ppm/K (max.)  |
| Voltage drop            | 10 V   |

### Communication interface

| <b>Profibus PA</b> |   |
|--------------------|---|
| Description        | Galvanically isolated according to IEC 61158-2  |
|                    | Profile version: 3.02   |
|                    | Current consumption: 16 mA  |
|                    | Permissible bus voltage: 9...32 V; intrinsically safe: 9...24 V   |
|                    | Independent of polarity at electrical connection  |
|                    | Typical error current FDE (Fault Disconnection Electronic): 6 mA  |
|                    | Bus address adjustable via local display at the measuring device  |
| Function blocks    | 5 x analog input (AI), 2 x totaliser, 1 x analog output (AO)  |
| Output data        | Volume flow, norm. volume flow, mass flow, gross/net power, FAD, density, temperature 1, temperature 2, pressure, vortex frequency, velocity, specific enthalpy, specific heat capacity, Reynolds number, diagnostic data |

| <b>Foundation Fieldbus</b> |  |
|----------------------------|--|
| Description                | Galvanically isolated according to IEC 61158-2   |
|                            | Current consumption: 16 mA   |
|                            | Permissible bus voltage: 9...32 V; intrinsically safe: 9...24 V  |
|                            | Bus interface with integrated reverse polarity protection  |
|                            | Link Master function (LM) supported  |
|                            | Tested with Interoperable Test Kit (ITK) version 6.1   |
| Function blocks            | 5 x analog input (AI), 2 x Integrator (IT), 1 x PID, 1 x analog output (AO)  |
| Output data                | Volume flow, mass flow, norm. volume flow, corrected volume flow, temperature 1, temperature 2, pressure, density, velocity, gross power, net power, FAD, vortex frequency, Reynolds number, specific heat capacity, specific enthalpy, sensor electronics temperature, converter electronics temperature, diagnostic data |

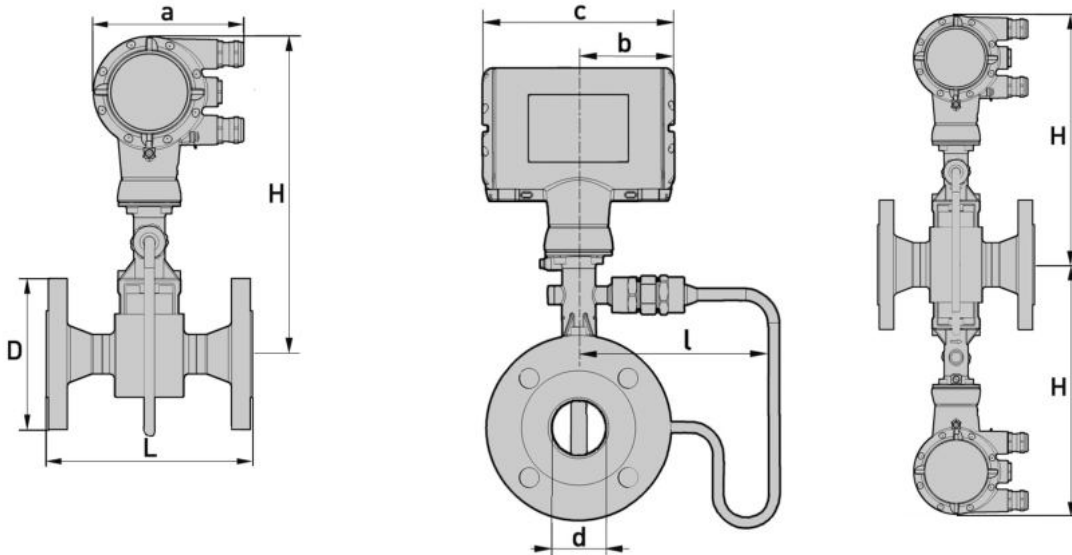
### Approvals and certificates

|   |   |
|---|---|
| CE                                      | This device fulfils the statutory requirements of the relevant EU directives. The manufacturer certifies successful testing of the product by applying the CE mark. |
|   | For full information of the EU directives & standards and the approved certifications, please refer to the CE declaration or the manufacturer website.              |
| Non-Ex                                  | Standard  |
| Functional safety according to EN 61508 | Depends on I/O variant and flow sensor. For detailed information refer to the "Safety manual".  |
| <b>Hazardous areas</b>                  |   |
| ATEX                                    | ATEX II2 G - Ex ia IIC T6...T2 Gb<br>ATEX II2 G - Ex d ia IIC T6...T2 Gb<br>ATEX II3 G - Ex nA IIC T6...T2 Gc<br>ATEX II2 D - Ex tb IIIC T70°C Db                   |
| IECEX                                   | IECEX - Ex ia IIC T6...T2 Gb<br>IECEX - Ex d ia IIC T6...T2 Gb<br>IECEX - Ex nA IIC T6...T2 Gc<br>IECEX - Ex tb IIIC T70°C Db                                       |
| QPS (USA & Canada)                      | QPS IS Class I Div 1<br>QPS XP Class I Div 1<br>QPS NI Class I Div 2<br>QPS DIP Class II, III Div 1   |
| <b>Other standards and approvals</b>    |   |
| QPS (USA & Canada)                      | QPS Ordinary Locations  |
| NAMUR                                   | NE 06, NE 21, NE 23, NE 32, NE 43, NE 53, NE 107  |
| Further approvals on request.           |   |

### 8.3 Dimensions and weights

#### 8.3.1 Flange versions

##### Flange version EN 1092-1



a = 148.5 mm / 5.85"

b = 85.8 mm / 3.38"  
c = 171.5 mm / 6.76"

Option:  
Version with two signal converter

| Nominal size<br>DN | Pressure<br>rating<br>PN | d     | D   | L   | H     | H<br>F1R<br>① | H<br>F2R<br>② | l     | l<br>F1R<br>① | l<br>F2R<br>② |
|--------------------|--------------------------|-------|-----|-----|-------|---------------|---------------|-------|---------------|---------------|
| 15                 | 40                       | 17.3  | 95  | 200 | 358.8 | -             | -             | 169.3 | -             | -             |
| 15                 | 100                      | 17.3  | 105 | 200 | 358.8 | -             | -             | 169.3 | -             | -             |
| 25                 | 40                       | 28.5  | 115 | 200 | 358.3 | 358.8         | -             | 169.3 | 169.3         | -             |
| 25                 | 100                      | 28.5  | 140 | 200 | 358.3 | 358.8         | -             | 169.3 | 169.3         | -             |
| 40                 | 40                       | 43.0  | 150 | 200 | 362.3 | 358.3         | 358.8         | 169.5 | 169.3         | 169.3         |
| 40                 | 100                      | 42.5  | 170 | 200 | 362.3 | 358.3         | 358.8         | 169.5 | 169.3         | 169.3         |
| 50                 | 16                       | 54.5  | 165 | 200 | 368.3 | 362.3         | 358.3         | 169.5 | 169.5         | 169.3         |
| 50                 | 40                       | 54.5  | 165 | 200 | 368.3 | 362.3         | 358.3         | 169.5 | 169.5         | 169.3         |
| 50                 | 63                       | 54.5  | 180 | 200 | 368.3 | 362.3         | 358.3         | 169.5 | 169.5         | 169.3         |
| 50                 | 100                      | 53.9  | 195 | 200 | 368.3 | 362.3         | 358.3         | 169.5 | 169.5         | 169.5         |
| 80                 | 16                       | 82.5  | 200 | 200 | 380.3 | 368.3         | 362.3         | 169.3 | 169.5         | 169.5         |
| 80                 | 40                       | 82.5  | 200 | 200 | 380.3 | 368.3         | 362.3         | 169.3 | 169.5         | 169.5         |
| 80                 | 63                       | 81.7  | 215 | 200 | 380.3 | 368.3         | 362.3         | 169.3 | 169.5         | 169.5         |
| 80                 | 100                      | 80.9  | 230 | 200 | 380.3 | 368.3         | 362.3         | 169.3 | 169.5         | 169.5         |
| 100                | 16                       | 107   | 220 | 250 | 396.8 | 380.3         | 368.3         | 171.5 | 169.3         | 169.5         |
| 100                | 40                       | 107   | 235 | 250 | 396.8 | 380.3         | 368.3         | 171.5 | 169.3         | 169.5         |
| 100                | 63                       | 106.3 | 250 | 250 | 396.8 | 380.3         | 368.3         | 171.5 | 169.3         | 169.5         |
| 100                | 100                      | 104.3 | 265 | 250 | 396.8 | 380.3         | 368.3         | 171.5 | 169.3         | 169.5         |

| Nominal size<br>DN | Pressure<br>rating<br>PN | d     | D   | L   | H     | H<br>F1R<br>① | H<br>F2R<br>② | l     | l<br>F1R<br>① | l<br>F2R<br>② |
|--------------------|--------------------------|-------|-----|-----|-------|---------------|---------------|-------|---------------|---------------|
| 150                | 16                       | 159.3 | 285 | 300 | 416.3 | 396.8         | 380.3         | 191.5 | 171.5         | 169.3         |
| 150                | 40                       | 159.3 | 300 | 300 | 416.3 | 396.8         | 380.3         | 191.5 | 171.5         | 169.3         |
| 150                | 63                       | 157.1 | 345 | 300 | 416.3 | 396.8         | 380.3         | 191.5 | 171.5         | 169.3         |
| 150                | 100                      | 154.1 | 355 | 300 | 416.3 | 396.8         | 380.3         | 191.5 | 171.5         | 169.3         |
| 200                | 10                       | 206.5 | 340 | 300 | 442.1 | 416.3         | 396.8         | 202.8 | 191.5         | 171.5         |
| 200                | 16                       | 206.5 | 340 | 300 | 442.1 | 416.3         | 396.8         | 202.8 | 191.5         | 171.5         |
| 200                | 25                       | 206.5 | 360 | 300 | 442.1 | 416.3         | 396.8         | 202.8 | 191.5         | 171.5         |
| 200                | 40                       | 206.5 | 375 | 300 | 442.1 | 416.3         | 396.8         | 202.8 | 191.5         | 171.5         |
| 250                | 10                       | 260.4 | 395 | 380 | 468.8 | 442.1         | 416.3         | 229.5 | 202.8         | 191.5         |
| 250                | 16                       | 260.4 | 405 | 380 | 468.8 | 442.1         | 416.3         | 229.5 | 202.8         | 191.5         |
| 250                | 25                       | 258.8 | 425 | 380 | 468.8 | 442.1         | 416.3         | 229.5 | 202.8         | 191.5         |
| 250                | 40                       | 258.8 | 450 | 380 | 468.8 | 442.1         | 416.3         | 229.5 | 202.8         | 191.5         |
| 300                | 10                       | 309.7 | 445 | 450 | 492.8 | 468.8         | 442.1         | 255   | 229.5         | 202.8         |
| 300                | 16                       | 309.7 | 460 | 450 | 492.8 | 468.8         | 442.1         | 255   | 229.5         | 202.8         |
| 300                | 25                       | 307.9 | 485 | 450 | 492.8 | 492.8         | 442.1         | 255   | 229.5         | 202.8         |
| 300                | 40                       | 307.9 | 515 | 450 | 492.8 | 492.8         | 442.1         | 255   | 229.5         | 202.8         |

Table 8-1: Dimensions of flange version EN 1092-1 [mm]

① F1R - single reduction

② F2R - double reduction

| Nominal size<br>DN | Pressure<br>rating<br>PN | with            | without | F1R ① with      | F1R ①<br>without | F2R ② with      | F2R ②<br>without |
|--------------------|--------------------------|-----------------|---------|-----------------|------------------|-----------------|------------------|
|                    |                          | Pressure sensor |         | Pressure sensor |                  | Pressure sensor |                  |
| 15                 | 40                       | 6.1             | 5.5     | -               | -                | -               | -                |
| 15                 | 100                      | 7.1             | 6.5     | -               | -                | -               | -                |
| 25                 | 40                       | 7.9             | 7.3     | 7.2             | 6.6              | -               | -                |
| 25                 | 100                      | 9.9             | 9.3     | 9.7             | 9.1              | -               | -                |
| 40                 | 40                       | 10.8            | 10.2    | 9.7             | 9.1              | 8.9             | 8.3              |
| 40                 | 100                      | 14.8            | 14.2    | 13.3            | 12.7             | 12.5            | 11.9             |
| 50                 | 16                       | 12.7            | 12.1    | 11.4            | 10.8             | 10.6            | 10.0             |
| 50                 | 40                       | 12.9            | 12.3    | 11.9            | 11.3             | 11.2            | 10.6             |
| 50                 | 63                       | 16.9            | 16.3    | 15.0            | 14.4             | 14.3            | 13.7             |
| 50                 | 100                      | 18.4            | 17.8    | 17.2            | 16.6             | 16.6            | 16.0             |
| 80                 | 16                       | 17.4            | 16.8    | 15.6            | 15.0             | 14.2            | 13.6             |
| 80                 | 40                       | 19.4            | 18.8    | 17.1            | 16.5             | 15.8            | 15.2             |
| 80                 | 63                       | 23.4            | 22.8    | 20.3            | 19.7             | 19.0            | 18.4             |
| 80                 | 100                      | 27.4            | 26.8    | 24.0            | 23.4             | 22.8            | 22.2             |
| 100                | 16                       | 22.0            | 21.4    | 21.5            | 20.9             | 18.7            | 18.1             |
| 100                | 40                       | 25.0            | 24.4    | 24.9            | 24.3             | 22.1            | 21.5             |
| 100                | 63                       | 30.0            | 29.4    | 30.1            | 29.5             | 27.4            | 26.8             |
| 100                | 100                      | 36.0            | 35.4    | 36.7            | 36.1             | 34.0            | 33.4             |
| 150                | 16                       | 35.8            | 35.2    | 33.9            | 33.3             | 32.3            | 31.7             |
| 150                | 40                       | 41.8            | 41.2    | 41.4            | 40.8             | 40.2            | 39.6             |
| 150                | 63                       | 59.8            | 59.2    | 58.3            | 57.7             | 59.0            | 58.4             |
| 150                | 100                      | 67.8            | 67.2    | 69.2            | 68.6             | 70.8            | 70.2             |
| 200                | 10                       | 38.4            | 37.8    | 40.7            | 40.1             | 43.1            | 42.5             |
| 200                | 16                       | 38.4            | 37.8    | 40.3            | 39.7             | 44.3            | 43.7             |
| 200                | 25                       | 47.4            | 46.8    | 49.5            | 48.9             | 50.8            | 50.2             |
| 200                | 40                       | 55.4            | 54.8    | 58.0            | 57.4             | 58.5            | 57.9             |
| 250                | 10                       | 58.0            | 57.4    | 63.1            | 62.5             | 59.8            | 59.2             |
| 250                | 16                       | 59.0            | 58.4    | 64.7            | 64.1             | 61.5            | 60.9             |
| 250                | 25                       | 75.0            | 74.4    | 78.5            | 77.9             | 76.8            | 76.2             |
| 250                | 40                       | 93.0            | 92.4    | 96.3            | 95.7             | 96.1            | 95.5             |
| 300                | 10                       | 76.3            | 75.7    | 81.1            | 80.5             | 85.8            | 85.2             |
| 300                | 16                       | 82.8            | 82.2    | 87.6            | 87.0             | 92.9            | 92.3             |
| 300                | 25                       | 99.3            | 98.7    | 105.1           | 104.5            | 113.0           | 112.4            |
| 300                | 40                       | 128.1           | 127.5   | 132.0           | 131.4            | 143.2           | 142.6            |

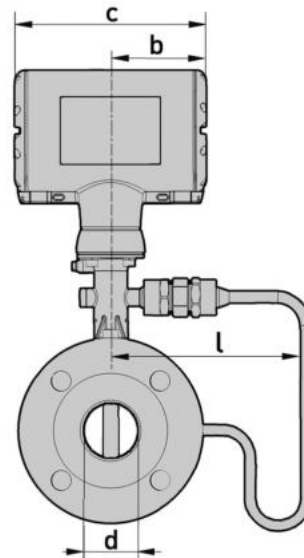
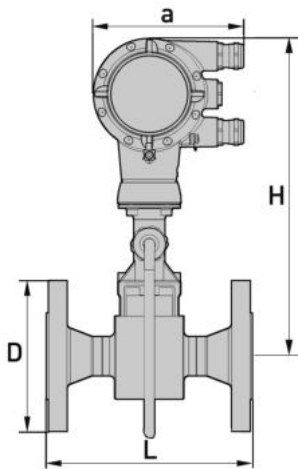
Weight specifications for version with two signal converters + 3.2 kg / 7.05 lb

Table 8-2: Weight of flange version EN 1092-1 [kg]

① F1R - single reduction

② F2R - double reduction

## Flange version ASME B16.5, metric



a = 148.5 mm / 5.85"

b = 85.8 mm / 3.38"  
c = 171.5 mm / 6.76"

| Nominal size<br>DN | Pressure<br>rating<br>Class | d     | D   | L   | H     | H<br>F1R<br>① | H<br>F2R<br>② | l     | l<br>F1R<br>① | l<br>F2R<br>② |
|--------------------|-----------------------------|-------|-----|-----|-------|---------------|---------------|-------|---------------|---------------|
| 1/2                | 150                         | 16    | 90  | 200 | 358.8 | -             | -             | 169.3 | -             | -             |
| 1/2                | 300                         | 16    | 95  | 200 | 358.8 | -             | -             | 169.3 | -             | -             |
| 1/2                | 600                         | 16    | 95  | 200 | 358.8 | -             | -             | 169.3 | -             | -             |
| 1                  | 150                         | 26.6  | 110 | 200 | 358.3 | 358.8         | -             | 169.3 | 169.3         | -             |
| 1                  | 300                         | 26.6  | 125 | 200 | 358.3 | 358.8         | -             | 169.3 | 169.3         | -             |
| 1                  | 600                         | 24    | 125 | 200 | 358.3 | 358.8         | -             | 169.3 | 169.3         | -             |
| 1 1/2              | 150                         | 41    | 125 | 200 | 362.3 | 358.3         | 358.8         | 169.5 | 169.3         | 169.3         |
| 1 1/2              | 300                         | 41    | 155 | 200 | 362.3 | 358.3         | 358.8         | 169.5 | 169.3         | 169.3         |
| 1 1/2              | 600                         | 41    | 155 | 200 | 362.3 | 358.3         | 358.8         | 169.5 | 169.3         | 169.3         |
| 2                  | 150                         | 52.5  | 150 | 200 | 368.3 | 362.3         | 358.3         | 169.5 | 169.5         | 169.3         |
| 2                  | 300                         | 52.5  | 165 | 200 | 368.3 | 362.3         | 358.3         | 169.5 | 169.5         | 169.3         |
| 2                  | 600                         | 49.2  | 165 | 200 | 368.3 | 362.3         | 358.3         | 169.5 | 169.5         | 169.3         |
| 3                  | 150                         | 77.9  | 190 | 200 | 380.3 | 368.3         | 362.3         | 169.3 | 169.5         | 169.5         |
| 3                  | 300                         | 77.9  | 210 | 200 | 380.3 | 368.3         | 362.3         | 169.3 | 169.5         | 169.5         |
| 3                  | 600                         | 74.0  | 210 | 200 | 380.3 | 368.3         | 362.3         | 169.3 | 169.5         | 169.5         |
| 4                  | 150                         | 102.3 | 230 | 250 | 396.8 | 380.3         | 368.3         | 171.5 | 169.3         | 169.5         |
| 4                  | 300                         | 102.3 | 255 | 250 | 396.8 | 380.3         | 368.3         | 171.5 | 169.3         | 169.5         |
| 4                  | 600                         | 97.0  | 275 | 250 | 396.8 | 380.3         | 368.3         | 171.5 | 169.3         | 169.5         |
| 6                  | 150                         | 154.1 | 280 | 300 | 416.3 | 396.8         | 380.3         | 191.5 | 171.5         | 169.3         |
| 6                  | 300                         | 154.1 | 320 | 300 | 416.3 | 396.8         | 380.3         | 191.5 | 171.5         | 169.3         |
| 6                  | 600                         | 146.0 | 355 | 300 | 416.3 | 396.8         | 380.3         | 191.5 | 171.5         | 169.3         |
| 8                  | 150                         | 202.7 | 345 | 300 | 442.1 | 416.3         | 396.8         | 202.8 | 191.5         | 171.5         |

| Nominal size<br>DN | Pressure<br>rating<br>Class | d     | D   | L   | H     | H<br>F1R<br>① | H<br>F2R<br>② | l     | l<br>F1R<br>① | l<br>F2R<br>② |
|--------------------|-----------------------------|-------|-----|-----|-------|---------------|---------------|-------|---------------|---------------|
| 8                  | 300                         | 202.7 | 380 | 300 | 442.1 | 416.3         | 396.8         | 202.8 | 191.5         | 171.5         |
| 10                 | 150                         | 254.6 | 405 | 380 | 468.8 | 442.1         | 416.3         | 229.5 | 202.8         | 191.5         |
| 10                 | 300                         | 254.6 | 455 | 380 | 468.8 | 442.1         | 416.3         | 229.5 | 202.8         | 191.5         |
| 12                 | 150                         | 300.0 | 485 | 450 | 492.8 | 468.8         | 442.1         | 255.0 | 229.5         | 202.8         |
| 12                 | 300                         | 300.0 | 520 | 450 | 492.8 | 468.8         | 442.1         | 255.0 | 229.5         | 202.8         |

Table 8-3: Dimensions of flange version ASME B16.5 [mm]

① F1R - single reduction

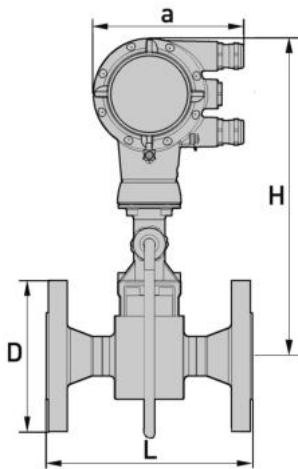
② F2R - double reduction

| Nominal size<br>DN | Pressure<br>rating<br>Class | with            | without | F1R with        | F1R<br>without | F2R with        | F2R<br>without |
|--------------------|-----------------------------|-----------------|---------|-----------------|----------------|-----------------|----------------|
|                    |                             | Pressure sensor |         | Pressure sensor |                | Pressure sensor |                |
| 1/2                | 150                         | 5.1             | 4.5     | -               | -              | -               | -              |
| 1/2                | 300                         | 5.5             | 4.9     | -               | -              | -               | -              |
| 1/2                | 600                         | 5.7             | 5.1     | -               | -              | -               | -              |
| 1                  | 150                         | 6.8             | 6.2     | 6.6             | 6.0            | -               | -              |
| 1                  | 300                         | 7.8             | 7.2     | 7.6             | 7.0            | -               | -              |
| 1                  | 600                         | 8.1             | 7.5     | 7.9             | 7.3            | -               | -              |
| 1 1/2              | 150                         | 8.9             | 8.3     | 8.6             | 8.0            | 7.7             | 7.1            |
| 1 1/2              | 300                         | 11.0            | 10.4    | 10.9            | 10.3           | 10.0            | 9.4            |
| 1 1/2              | 600                         | 12.0            | 11.4    | 11.8            | 11.2           | 11.0            | 10.4           |
| 2                  | 150                         | 11.6            | 11.0    | 11.0            | 10.4           | 10.3            | 9.7            |
| 2                  | 300                         | 13.0            | 12.4    | 12.6            | 12.0           | 11.9            | 11.3           |
| 2                  | 600                         | 14.5            | 13.9    | 14.0            | 13.4           | 13.4            | 12.8           |
| 3                  | 150                         | 20.4            | 19.8    | 16.9            | 16.3           | 15.6            | 15.0           |
| 3                  | 300                         | 23.4            | 22.8    | 20.4            | 19.8           | 19.2            | 18.6           |
| 3                  | 600                         | 24.4            | 23.8    | 22.9            | 22.3           | 21.8            | 21.2           |
| 4                  | 150                         | 24.0            | 23.4    | 25.3            | 24.7           | 22.7            | 22.1           |
| 4                  | 300                         | 32.0            | 31.4    | 33.9            | 33.3           | 31.2            | 30.6           |
| 4                  | 600                         | 41.0            | 40.4    | 44.1            | 43.5           | 41.2            | 40.6           |
| 6                  | 150                         | 36.8            | 36.2    | 37.8            | 37.2           | 36.9            | 36.3           |
| 6                  | 300                         | 51.8            | 51.2    | 56.1            | 55.5           | 55.8            | 55.2           |
| 6                  | 600                         | 76.8            | 76.2    | 79.8            | 79.2           | 82.6            | 82.0           |
| 8                  | 150                         | 50.6            | 50.0    | 48.8            | 48.2           | 52.5            | 51.9           |
| 8                  | 300                         | 75.4            | 74.8    | 72.2            | 71.6           | 78.1            | 77.5           |
| 10                 | 150                         | 75.0            | 74.4    | 75.2            | 74.6           | 73.9            | 73.3           |
| 10                 | 300                         | 107.0           | 106.4   | 112.4           | 111.8          | 113.5           | 112.9          |
| 12                 | 150                         | 107.0           | 106.4   | 109.8           | 109.2          | 120.4           | 119.8          |
| 12                 | 300                         | 152.0           | 151.4   | 165.4           | 155.8          | 171.7           | 171.1          |

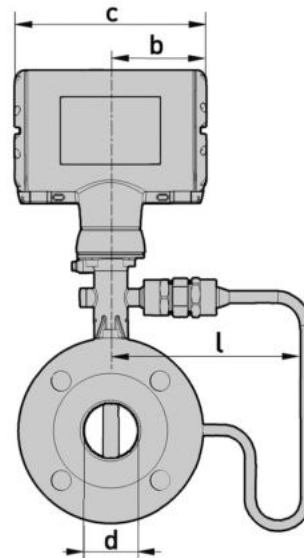
Table 8-4: Weight of flange version ASME B16.5 [kg]



## Flange version ASME B16.5, imperial



a = 148.5 mm / 5.85"



b = 85.8 mm / 3.38"  
c = 171.5 mm / 6.76"

| Nominal size<br>DN | Pressure<br>rating<br>Class | d    | D   | L   | H    | H<br>F1R<br>① | H<br>F2R<br>② | l    | l<br>F1R<br>① | l<br>F2R<br>② |
|--------------------|-----------------------------|------|-----|-----|------|---------------|---------------|------|---------------|---------------|
| 1/2                | 150                         | 0.63 | 3.5 | 7.9 | 14.1 | -             | -             | 6.67 | -             | -             |
| 1/2                | 300                         | 0.63 | 3.7 | 7.9 | 14.1 | -             | -             | 6.67 | -             | -             |
| 1/2                | 600                         | 0.63 | 3.7 | 7.9 | 14.1 | -             | -             | 6.67 | -             | -             |
| 1                  | 150                         | 1.05 | 4.3 | 7.9 | 14.1 | 14.1          | -             | 6.67 | 6.67          | -             |
| 1                  | 300                         | 1.05 | 4.9 | 7.9 | 14.1 | 14.1          | -             | 6.67 | 6.67          | -             |
| 1                  | 600                         | 1.0  | 4.9 | 7.9 | 14.1 | 14.1          | -             | 6.67 | 6.67          | -             |
| 1 1/2              | 150                         | 1.6  | 4.9 | 7.9 | 14.3 | 14.1          | 14.1          | 6.67 | 6.67          | 6.67          |
| 1 1/2              | 300                         | 1.6  | 6.1 | 7.9 | 14.3 | 14.1          | 14.1          | 6.67 | 6.67          | 6.67          |
| 1 1/2              | 600                         | 1.6  | 6.1 | 7.9 | 14.3 | 14.1          | 14.1          | 6.67 | 6.67          | 6.67          |
| 2                  | 150                         | 2.07 | 5.9 | 7.9 | 14.5 | 14.3          | 14.1          | 6.67 | 6.67          | 6.67          |
| 2                  | 300                         | 2.07 | 6.5 | 7.9 | 14.5 | 14.3          | 14.1          | 6.67 | 6.67          | 6.67          |
| 2                  | 600                         | 1.9  | 6.5 | 7.9 | 14.5 | 14.3          | 14.1          | 6.67 | 6.67          | 6.67          |
| 3                  | 150                         | 3.07 | 7.5 | 7.9 | 15.0 | 14.5          | 14.3          | 6.67 | 6.67          | 6.67          |
| 3                  | 300                         | 3.07 | 8.3 | 7.9 | 15.0 | 14.5          | 14.3          | 6.67 | 6.67          | 6.67          |
| 3                  | 600                         | 2.9  | 8.3 | 7.9 | 15.0 | 14.5          | 14.3          | 6.67 | 6.67          | 6.67          |
| 4                  | 150                         | 4.0  | 9.1 | 9.8 | 15.6 | 15.0          | 14.5          | 6.76 | 6.67          | 6.67          |
| 4                  | 300                         | 4.0  | 10  | 9.8 | 15.6 | 15.0          | 14.5          | 6.76 | 6.67          | 6.67          |
| 4                  | 600                         | 3.8  | 11  | 9.8 | 15.6 | 15.0          | 14.5          | 6.76 | 6.67          | 6.67          |
| 6                  | 150                         | 6.1  | 11  | 12  | 16.4 | 15.6          | 15.0          | 7.54 | 6.76          | 6.67          |
| 6                  | 300                         | 6.1  | 13  | 12  | 16.4 | 15.6          | 15.0          | 7.54 | 6.76          | 6.67          |
| 6                  | 600                         | 5.8  | 14  | 12  | 16.4 | 15.6          | 15.0          | 7.54 | 6.76          | 6.67          |
| 8                  | 150                         | 8.0  | 14  | 12  | 17.4 | 16.4          | 15.6          | 8.0  | 7.54          | 6.76          |

| Nominal size<br>DN | Pressure<br>rating<br>Class | d   | D  | L  | H    | H<br>F1R<br>① | H<br>F2R<br>② | l    | l<br>F1R<br>① | l<br>F2R<br>② |
|--------------------|-----------------------------|-----|----|----|------|---------------|---------------|------|---------------|---------------|
| 8                  | 300                         | 8.0 | 15 | 12 | 17.4 | 16.4          | 15.6          | 8.0  | 7.54          | 6.76          |
| 10                 | 150                         | 10  | 16 | 15 | 18.5 | 17.4          | 16.4          | 9.04 | 8.0           | 7.54          |
| 10                 | 300                         | 10  | 18 | 15 | 18.5 | 17.4          | 16.4          | 9.04 | 8.0           | 7.54          |
| 12                 | 150                         | 12  | 19 | 18 | 19.4 | 18.5          | 17.4          | 10.0 | 9.04          | 8.0           |
| 12                 | 300                         | 12  | 21 | 18 | 19.4 | 18.5          | 17.4          | 10.0 | 9.04          | 8.0           |

Table 8-5: Dimensions of flange version ASME B16.5 [inch]

① F1R - single reduction

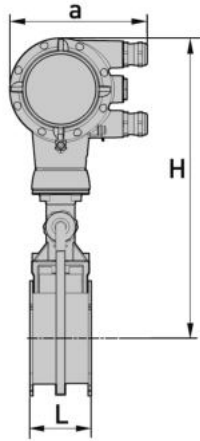
② F2R - double reduction

| Nominal size<br>DN | Pressure<br>rating<br>Class | with            | without | F1R with        | F1R<br>without | F2R with        | F2R<br>without |
|--------------------|-----------------------------|-----------------|---------|-----------------|----------------|-----------------|----------------|
|                    |                             | Pressure sensor |         | Pressure sensor |                | Pressure sensor |                |
| 1/2                | 150                         | 11              | 9.9     | -               | -              | -               | -              |
| 1/2                | 300                         | 12              | 11      | -               | -              | -               | -              |
| 1/2                | 600                         | 13              | 11      | -               | -              | -               | -              |
| 1                  | 150                         | 15              | 14      | 14.6            | 13.2           | -               | -              |
| 1                  | 300                         | 17              | 16      | 16.8            | 15.4           | -               | -              |
| 1                  | 600                         | 18              | 17      | 17.4            | 16.1           | -               | -              |
| 1 1/2              | 150                         | 20              | 18      | 19.0            | 17.6           | 17.0            | 15.7           |
| 1 1/2              | 300                         | 24.3            | 22.9    | 24.0            | 22.7           | 22.1            | 20.7           |
| 1 1/2              | 600                         | 26.5            | 25.1    | 26.0            | 24.7           | 24.1            | 22.9           |
| 2                  | 150                         | 25.6            | 24.3    | 24.3            | 22.9           | 22.7            | 21.4           |
| 2                  | 300                         | 28.7            | 27.3    | 27.8            | 26.5           | 26.2            | 24.9           |
| 2                  | 600                         | 32.0            | 30.7    | 30.9            | 29.6           | 29.6            | 28.2           |
| 3                  | 150                         | 45.0            | 43.7    | 37.3            | 36.0           | 34.4            | 33.1           |
| 3                  | 300                         | 51.6            | 50.3    | 45.0            | 43.7           | 42.3            | 41.0           |
| 3                  | 600                         | 53.8            | 52.5    | 50.5            | 49.2           | 48.1            | 46.8           |
| 4                  | 150                         | 52.9            | 51.6    | 55.8            | 54.5           | 50.1            | 48.7           |
| 4                  | 300                         | 70.6            | 69.3    | 74.8            | 73.4           | 68.8            | 67.5           |
| 4                  | 600                         | 90.4            | 89.1    | 97.3            | 95.9           | 91.0            | 89.5           |
| 6                  | 150                         | 81.2            | 79.8    | 83.4            | 82.0           | 81.4            | 80.0           |
| 6                  | 300                         | 114.2           | 112.9   | 123.7           | 122.4          | 123.1           | 121.7          |
| 6                  | 600                         | 169.4           | 168.1   | 176             | 174.7          | 182.2           | 181.0          |
| 8                  | 150                         | 111.6           | 110.3   | 107.6           | 106.3          | 115.8           | 114.5          |
| 8                  | 300                         | 166.3           | 165.0   | 159.2           | 157.9          | 172.2           | 171.0          |
| 10                 | 150                         | 165.4           | 164.1   | 165.9           | 164.5          | 163.0           | 161.7          |
| 10                 | 300                         | 236.0           | 234.7   | 247.9           | 246.6          | 250.3           | 249.0          |
| 12                 | 150                         | 236.0           | 234.7   | 242.2           | 240.8          | 265.5           | 264.2          |
| 12                 | 300                         | 335.2           | 333.9   | 364.8           | 343.6          | 378.7           | 377.4          |

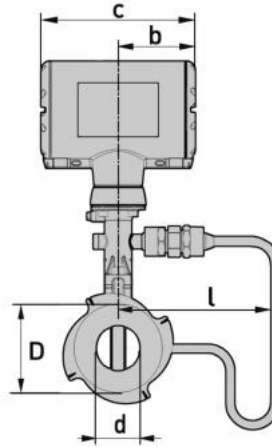
Table 8-6: Weight of flange version ASME B16.5 [lb]

## 8.3.2 Sandwich versions

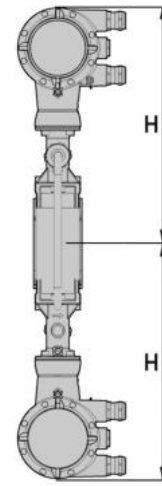
## Sandwich version EN



$a = 133 \text{ mm} / 5.24''$



$b = 105 \text{ mm} / 4.13''$   
 $c = 179 \text{ mm} / 7.05''$

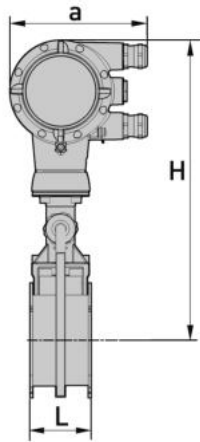


Dimension H x 2  
 Specified weight: + 2.8 kg / 6.2 lb

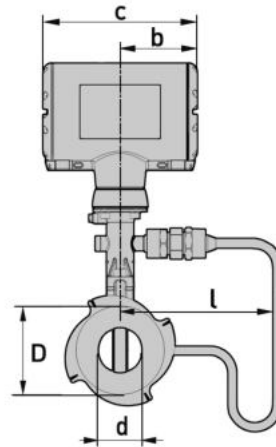
| Nominal size | Pressure rating | Dimensions [mm] |     |    |       |       | Weight [kg] |     |                 |         |
|--------------|-----------------|-----------------|-----|----|-------|-------|-------------|-----|-----------------|---------|
|              |                 | DN              | PN  | d  | D     | L     | H           | l   | with            | without |
|              |                 |                 |     |    |       |       |             |     | Pressure sensor |         |
| 15           | 100             | 16              | 45  | 65 | 358.8 | 169.3 | 4.1         | 3.5 |                 |         |
| 25           | 100             | 24              | 65  | 65 | 358.3 | 169.3 | 4.9         | 4.3 |                 |         |
| 40           | 100             | 38              | 82  | 65 | 362.3 | 169.5 | 5.5         | 4.9 |                 |         |
| 50           | 100             | 50              | 102 | 65 | 368.3 | 169.5 | 6.6         | 6.0 |                 |         |
| 80           | 100             | 74              | 135 | 65 | 380.3 | 169.3 | 8.8         | 8.2 |                 |         |
| 100          | 100             | 97              | 158 | 65 | 396.8 | 171.5 | 10.1        | 9.5 |                 |         |

Table 8-7: Dimensions and weight of Sandwich version [mm and kg]

Sandwich version ASME



a = 133 mm / 5.24"

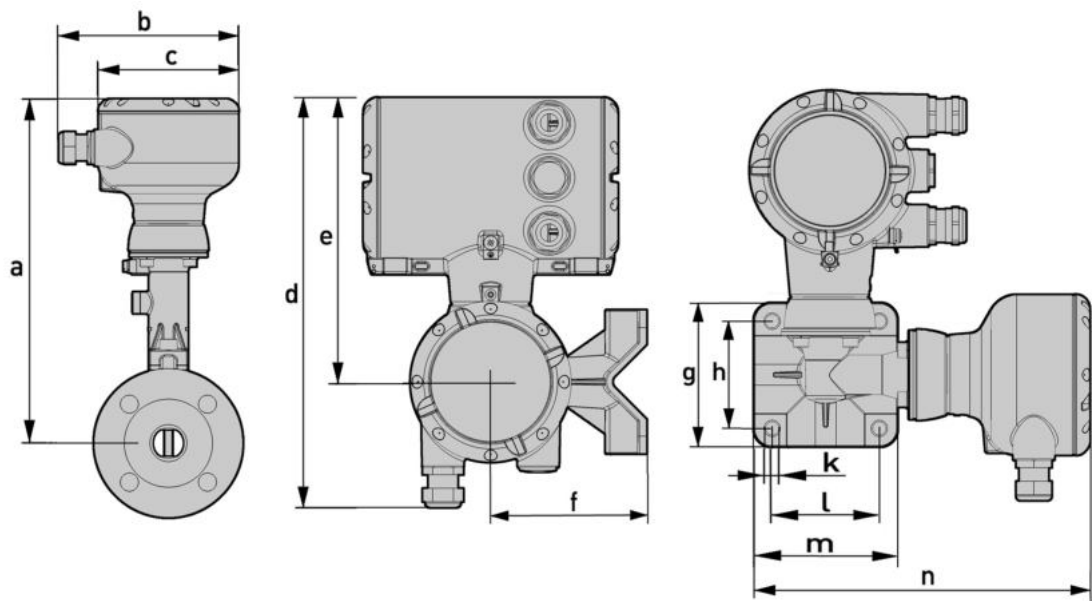


b = 105 mm / 4.13"  
c = 179 mm / 7.05"

| Nominal size | Pressure rating | Dimensions [inch] |      |      |       |      | Weight [lb] |         |                 |  |
|--------------|-----------------|-------------------|------|------|-------|------|-------------|---------|-----------------|--|
|              |                 | d                 | D    | L    | H     | l    | with        | without |                 |  |
| NPS          | Class           |                   |      |      |       |      |             |         | Pressure sensor |  |
| 1/2          | 150             | 0.63              | 1.77 | 2.56 | 14.13 | 6.67 | 9.04        | 7.72    |                 |  |
| 1/2          | 300             | 0.63              | 1.77 | 2.56 | 14.13 | 6.67 | 9.04        | 7.72    |                 |  |
| 1/2          | 600             | 0.55              | 1.77 | 2.56 | 14.13 | 6.67 | 9.04        | 7.72    |                 |  |
| 1            | 150             | 0.94              | 2.56 | 2.56 | 14.13 | 6.67 | 10.8        | 9.48    |                 |  |
| 1            | 300             | 0.94              | 2.56 | 2.56 | 14.13 | 6.67 | 10.8        | 9.48    |                 |  |
| 1            | 600             | 0.94              | 2.56 | 2.56 | 14.13 | 6.67 | 10.8        | 9.48    |                 |  |
| 1 1/2        | 150             | 1.5               | 3.23 | 2.56 | 14.27 | 6.67 | 12.13       | 10.8    |                 |  |
| 1 1/2        | 300             | 1.5               | 3.23 | 2.56 | 14.27 | 6.67 | 12.13       | 10.8    |                 |  |
| 1 1/2        | 600             | 1.5               | 3.23 | 2.56 | 14.27 | 6.67 | 12.13       | 10.8    |                 |  |
| 2            | 150             | 1.97              | 4.02 | 2.56 | 14.50 | 6.67 | 14.55       | 13.23   |                 |  |
| 2            | 300             | 1.97              | 4.02 | 2.56 | 14.50 | 6.67 | 14.55       | 13.23   |                 |  |
| 2            | 600             | 1.97              | 4.02 | 2.56 | 14.50 | 6.67 | 14.55       | 13.23   |                 |  |
| 3            | 150             | 2.91              | 5.31 | 2.56 | 14.98 | 6.67 | 19.4        | 18.08   |                 |  |
| 3            | 300             | 2.91              | 5.31 | 2.56 | 14.98 | 6.67 | 19.4        | 18.08   |                 |  |
| 3            | 600             | 2.91              | 5.31 | 2.56 | 14.98 | 6.67 | 19.4        | 18.08   |                 |  |
| 4            | 150             | 3.82              | 6.22 | 2.56 | 15.63 | 6.75 | 22.27       | 20.94   |                 |  |
| 4            | 300             | 3.82              | 6.22 | 2.56 | 15.63 | 6.75 | 22.27       | 20.94   |                 |  |
| 4            | 600             | 3.82              | 6.22 | 2.56 | 15.63 | 6.75 | 22.27       | 20.94   |                 |  |

Table 8-8: Dimensions and weight of Sandwich version [inch and lb]

## 8.3.3 Remote version



|        | Flange & sandwich version |       |       |       |       |       | Flange version |       |       |       |
|--------|---------------------------|-------|-------|-------|-------|-------|----------------|-------|-------|-------|
| DN ▶   | 15                        | 25    | 40    | 50    | 80    | 100   | 150            | 200   | 250   | 300   |
| NPS ▶  | 1/2                       | 1     | 1 1/2 | 2     | 3     | 4     | 6              | 8     | 10    | 12    |
| [mm] ▶ | 315.7                     | 315.2 | 319.2 | 325.2 | 337.2 | 353.7 | 373.2          | 398.9 | 425.7 | 449.7 |
| ["] ▶  | 12.4                      | 12.4  | 12.6  | 12.8  | 13.3  | 13.9  | 14.7           | 15.7  | 16.8  | 17.7  |

Table 8-9: Dimension a [mm and inch]

|              | Flange version |       |       |       |       |       |       |       |       |       |
|--------------|----------------|-------|-------|-------|-------|-------|-------|-------|-------|-------|
| DN ▶         | 15             | 25    | 40    | 50    | 80    | 100   | 150   | 200   | 250   | 300   |
| NPS ▶        | 1/2            | 1     | 1 1/2 | 2     | 3     | 4     | 6     | 8     | 10    | 12    |
| F1R ① [mm] ▶ | -              | 315.7 | 315.2 | 319.2 | 325.2 | 337.2 | 353.7 | 373.2 | 398.9 | 425.7 |
| F1R ① ["] ▶  | -              | 12.4  | 12.4  | 12.6  | 12.8  | 13.3  | 13.9  | 14.7  | 15.7  | 16.8  |
| F2R ② [mm] ▶ | -              | -     | 315.7 | 315.2 | 319.2 | 325.2 | 337.2 | 353.7 | 373.2 | 398.9 |
| F2R ② ["] ▶  | -              | -     | 12.4  | 12.4  | 12.6  | 12.8  | 13.3  | 13.9  | 14.7  | 15.7  |

Table 8-10: Dimension a F1/2R [mm and inch]

① F1R - single reduction

② F2R - double reduction

|      | b     | c     | d     | e     | f     | g    | h    | j     | k    | l    | m    | n     |
|------|-------|-------|-------|-------|-------|------|------|-------|------|------|------|-------|
| [mm] | 138.5 | 108.0 | 275.6 | 191.2 | 105.0 | 97.0 | 72.0 | 108.0 | 9.0  | 72.0 | 97.0 | 226.0 |
| ["]  | 5.46  | 4.25  | 10.9  | 7.53  | 4.14  | 3.82 | 2.84 | 4.25  | 0.35 | 2.84 | 3.82 | 8.90  |

Table 8-11: Dimension b...n [mm and inch]

## 8.4 Flow tables

| Nominal size   |                  | $Q_{\min}$          | $Q_{\max}$ | $Q_{\min}$ | $Q_{\max}$ |
|----------------|------------------|---------------------|------------|------------|------------|
| DN - EN 1092-1 | NPS - ASME B16.5 | [m <sup>3</sup> /h] |            | [gph]      |            |

## Water

|     |       |       |        |       |        |
|-----|-------|-------|--------|-------|--------|
| 15  | 3/8   | 0.36  | 5.07   | 95.61 | 1339   |
| 25  | 1     | 0.81  | 11.40  | 215   | 3012   |
| 40  | 1 1/2 | 2.04  | 28.58  | 539   | 7550   |
| 50  | 2     | 3.53  | 49.48  | 934   | 13072  |
| 80  | 3     | 7.74  | 108.3  | 2045  | 28632  |
| 100 | 4     | 13.30 | 186.2  | 3514  | 49196  |
| 150 | 6     | 30.13 | 421.89 | 7961  | 111454 |
| 200 | 8     | 56.61 | 792.5  | 14954 | 209356 |
| 250 | 10    | 90.49 | 1267   | 23905 | 334681 |
| 300 | 12    | 131.4 | 1840   | 34720 | 486077 |

Values based on water at +20°C / +68°F

## Air

|     |       |       |       |        |         |
|-----|-------|-------|-------|--------|---------|
| 15  | 3/8   | 4.34  | 32.57 | 1147   | 8605    |
| 25  | 1     | 9.77  | 114.0 | 2581   | 30117   |
| 40  | 1 1/2 | 24.50 | 326.6 | 6472   | 86288   |
| 50  | 2     | 42.41 | 565.5 | 11204  | 149390  |
| 80  | 3     | 92.90 | 1239  | 24542  | 327224  |
| 100 | 4     | 159.6 | 2128  | 42168  | 562245  |
| 150 | 6     | 361.6 | 4822  | 95532  | 1273761 |
| 200 | 8     | 679.3 | 9057  | 179448 | 2392635 |
| 250 | 10    | 1086  | 14478 | 286870 | 3824929 |
| 300 | 12    | 1577  | 21028 | 416638 | 5555167 |

Values based on air at +20°C / +68°F and 1.013 bara / 14.7 psia and density 1.204 kg/m<sup>3</sup> / 0.0751 lb/ft<sup>3</sup>

Table 8-12: Measuring ranges for water and air

| Gauge pressure [barg]        |                | 1      |       | 3.5    |       | 5.2    |       | 7      |       |
|------------------------------|----------------|--------|-------|--------|-------|--------|-------|--------|-------|
| Density [kg/m <sup>3</sup> ] |                | 1.134  |       | 2.419  |       | 3.272  |       | 4.166  |       |
| Temperature [°C]             |                | 120.4  |       | 148.0  |       | 160.2  |       | 170.5  |       |
| Flow rate                    |                | min.   | max.  | min.   | max.  | min.   | max.  | min.   | max.  |
| DN EN 1092-1                 | NPS ASME B16.5 | [kg/h] |       | [kg/h] |       | [kg/h] |       | [kg/h] |       |
| 15                           | 3/8            | 5.07   | 36.94 | 7.41   | 78.8  | 8.62   | 106.6 | 9.73   | 135.7 |
| 25                           | 1              | 11.42  | 129.3 | 16.68  | 275.8 | 19.40  | 373.0 | 21.88  | 474.9 |
| 40                           | 1 1/2          | 28.63  | 370.4 | 41.87  | 790.3 | 48.62  | 1069  | 54.86  | 1361  |
| 50                           | 2              | 49.56  | 641.3 | 72.39  | 1368  | 84.18  | 1850  | 94.98  | 2356  |
| 80                           | 3              | 108.6  | 1405  | 158.6  | 2997  | 184.4  | 4053  | 208.1  | 5160  |
| 100                          | 4              | 186.5  | 2414  | 272.4  | 5149  | 316.8  | 6964  | 357.5  | 8866  |
| 150                          | 6              | 422.6  | 5468  | 617.2  | 11666 | 717.8  | 15777 | 809.9  | 20086 |
| 200                          | 8              | 793.7  | 10271 | 1159   | 21913 | 1348   | 29636 | 1521   | 37730 |
| 250                          | 10             | 1269   | 16420 | 1853   | 35031 | 2155   | 47376 | 2432   | 60316 |
| 300                          | 12             | 1843   | 23848 | 2692   | 50877 | 3130   | 68807 | 3532   | 87601 |

Table 8-13: Measuring range for saturated steam: 1...7 barg

| Gauge pressure [barg]        |                | 10.5   |        | 14     |        | 17.5   |        | 20     |        |
|------------------------------|----------------|--------|--------|--------|--------|--------|--------|--------|--------|
| Density [kg/m <sup>3</sup> ] |                | 5.883  |        | 7.588  |        | 9.304  |        | 10.53  |        |
| Temperature [°C]             |                | 186.1  |        | 198.3  |        | 208.5  |        | 214.9  |        |
| Flow rate                    |                | min.   | max.   | min.   | max.   | min.   | max.   | min.   | max.   |
| DN EN 1092-1                 | NPS ASME B16.5 | [kg/h] |        | [kg/h] |        | [kg/h] |        | [kg/h] | [kg/h] |
| 15                           | 3/8            | 12.77  | 191.6  | 16.48  | 247.2  | 20.20  | 303.1  | 22.87  | 343.1  |
| 25                           | 1              | 26.01  | 670.6  | 29.54  | 857.0  | 32.71  | 954.8  | 34.80  | 1020   |
| 40                           | 1 1/2          | 66.19  | 1877   | 74.05  | 2148   | 81.99  | 2394   | 87.24  | 2556   |
| 50                           | 2              | 112.9  | 3250   | 128.2  | 3720   | 142.0  | 4144   | 151.0  | 4426   |
| 80                           | 3              | 247.2  | 7119   | 280.8  | 8148   | 310.9  | 9077   | 330.8  | 9694   |
| 100                          | 4              | 424.8  | 12232  | 482.5  | 13999  | 534.2  | 15597  | 568.5  | 16657  |
| 150                          | 6              | 962.4  | 27712  | 1093   | 31715  | 1210   | 35334  | 1288   | 37737  |
| 200                          | 8              | 1808   | 52054  | 2053   | 59574  | 2273   | 66371  | 2419   | 70884  |
| 250                          | 10             | 2890   | 83215  | 3282   | 95237  | 3634   | 106102 | 3867   | 113318 |
| 300                          | 12             | 4197   | 120858 | 4767   | 138318 | 5279   | 154099 | 5617   | 164578 |

Table 8-14: Measuring range for saturated steam: 10.5...20 barg

| Gauge pressure [psig]         |                | 15     |       | 50     |        | 75     |        | 100    |        |
|-------------------------------|----------------|--------|-------|--------|--------|--------|--------|--------|--------|
| Density [lb/ft <sup>3</sup> ] |                | 0.0721 |       | 0.1496 |        | 0.2033 |        | 0.2564 |        |
| Temperature [°F]              |                | 249.8  |       | 297.7  |        | 320.0  |        | 337.8  |        |
| Flow rate                     |                | min.   | max.  | min.   | max.   | min.   | max.   | min.   | max.   |
| DN EN 1092-1                  | NPS ASME B16.5 | [lb/h] |       | [lb/h] |        | [lb/h] |        | [lb/h] | [lb/h] |
| 15                            | 3/8            | 11.09  | 81.44 | 16.42  | 173.7  | 19.05  | 235.0  | 21.59  | 299.2  |
| 25                            | 1              | 24.95  | 285.0 | 36.95  | 608.1  | 42.86  | 822.4  | 48.58  | 1047   |
| 40                            | 1 1/2          | 62.55  | 816.7 | 92.63  | 1742   | 107.5  | 2356   | 121.8  | 3000   |
| 50                            | 2              | 108.3  | 1414  | 160.4  | 3016   | 186.0  | 4079   | 210.9  | 5194   |
| 80                            | 3              | 237.2  | 3097  | 351.3  | 6607   | 407.5  | 8935   | 461.9  | 11376  |
| 100                           | 4              | 407.6  | 5321  | 603.6  | 11352  | 700.1  | 15353  | 793.6  | 19547  |
| 150                           | 6              | 923.3  | 12055 | 1367   | 25719  | 1586   | 34782  | 1798   | 44283  |
| 200                           | 8              | 1734   | 22645 | 2569   | 48310  | 2979   | 65335  | 3377   | 83180  |
| 250                           | 10             | 2773   | 36200 | 4106   | 77230  | 4763   | 104447 | 5399   | 132974 |
| 300                           | 12             | 4027   | 52576 | 5964   | 112165 | 6918   | 151694 | 7841   | 193127 |

Table 8-15: Measuring range for saturated steam: 15...100 psig

| Gauge pressure [psig]         |                | 150    |        | 200    |        | 250    |        | 300    |        |
|-------------------------------|----------------|--------|--------|--------|--------|--------|--------|--------|--------|
| Density [lb/ft <sup>3</sup> ] |                | 0.3626 |        | 0.4682 |        | 0.5727 |        | 0.6781 |        |
| Temperature [°F]              |                | 365.9  |        | 387.9  |        | 406.0  |        | 421.7  |        |
| Flow rate                     |                | min.   | max.   | min.   | max.   | min.   | max.   | min.   | max.   |
| DN EN 1092-1                  | NPS ASME B16.5 | [lb/h] |        | [lb/h] |        | [lb/h] |        | [lb/h] | [lb/h] |
| 15                            | 3/8            | 28.16  | 422.4  | 36.33  | 544.9  | 44.54  | 668.1  | 50.43  | 756.4  |
| 25                            | 1              | 57.70  | 1479   | 65.50  | 1900   | 72.61  | 2119   | 75.64  | 2216   |
| 40                            | 1 1/2          | 144.7  | 4164   | 164.2  | 4763   | 182.0  | 5312   | 189.6  | 5555   |
| 50                            | 2              | 250.4  | 7209   | 284.3  | 8246   | 315.2  | 9197   | 328.3  | 96.18  |
| 80                            | 3              | 548.6  | 15790  | 622.7  | 18062  | 690.3  | 20145  | 719.1  | 21067  |
| 100                           | 4              | 942.5  | 27131  | 1070   | 31035  | 1186   | 34614  | 1236   | 36198  |
| 150                           | 6              | 2135   | 61464  | 2424   | 70309  | 2687   | 78419  | 2799   | 82006  |
| 200                           | 8              | 4011   | 115455 | 4553   | 132068 | 5048   | 147302 | 5258   | 154041 |
| 250                           | 10             | 6412   | 184569 | 7279   | 211127 | 8069   | 235481 | 8406   | 246254 |
| 300                           | 12             | 9313   | 268060 | 10571  | 306632 | 11720  | 342002 | 12209  | 357649 |

Table 8-16: Measuring range for saturated steam: 150...300 psig









Product  
Information

