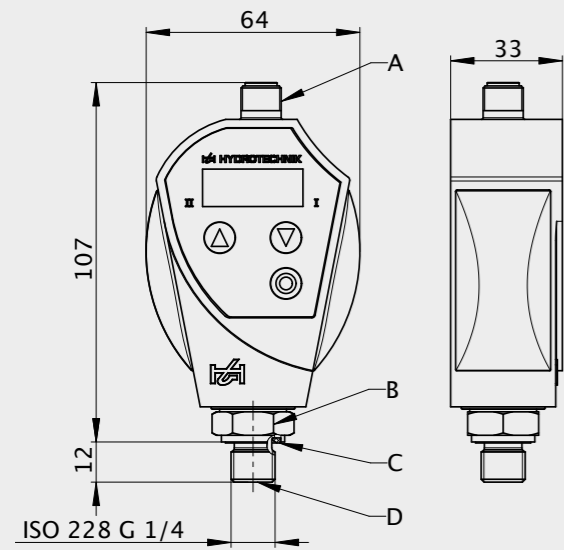


## HySense® MultiEPC

The **HySense® MultiEPC** is an electronic pressure switch with an extraordinary level of functionality. It is available in standard and DESINA versions with one or two independently programmable limit switches. And to top it all off, the heavy-duty housing, which can rotate axially, features an integrated display.



Dimensions in mm



A	M12 x 1, 5-pin
B	AF 22
C	ED seal in conformity with DIN 3869, FKM
D	ISO 228-G 1/4 A

### General characteristics

Sensor principle	Piezoresistivity
Pressure type	Relative pressure
Measuring accuracy @ 25°C	±0.5% of full scale
Output signal	0 / 4 ... 20 mA
Switching output	Two high-side switching MOSFETs
Switching current	Max. 0.7 A
Body material	Die casting
Diaphragm material	Stainless steel
Sampling rate	100 Hz
Fluid temperature	-20 ... 85 °C
Ambient temperature	-20 ... 85 °C
IP degree of protection	IP67 (DIN EN 60529)
Weight	350 g
Installation position	Any

### Measuring range

Measuring range bar	Part No.*
0 ... 25	3160-10-40.01
0 ... 100	3160-10-16.01
0 ... 250	3160-10-17.01
0 ... 400	3160-10-15.01
0 ... 700	3160-10-39.01

\* DESINA version available upon request