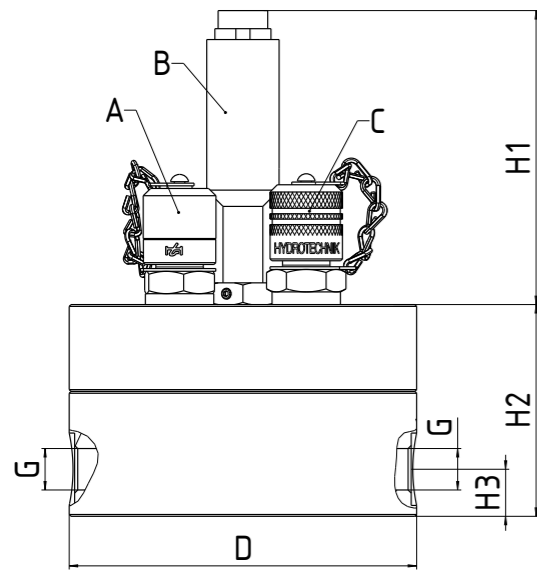


HySense® QG 100

The gear flow meters in the **HySense® QG** family are the result of decades of experience developing and manufacturing flow meters. Gear flow meters are positive displacement meters and use one of the most accurate methods available for measuring flow.

HySense® QG 100 is part of the standard series in the Hydrotechnik portfolio. As a result of its tooth geometry, the various bearing solutions, and premium-grade materials, the **HySense® QG 100** is a true all-rounder when it comes to volume and flow measurement.



A	MINIMESS® 1620 series test point
B	HySense® RS series inductive sensor
C	MINIMESS® 1620 series p/T test point

General characteristics	
Fluid	Fuels, hydraulic fluids, transmission fluids, brake fluid, Skydrol*
Flow range	0.005 ... 300 L/min*
Output signal	Frequency / 4 ... 20 mA**
Viscosity range	1 ... 120,000 mm ² /s (cSt)*
Measuring accuracy	Up to ±0.4% of reading
Fluid temperature	-20 °C ... 100 °C***
Ambient temperature	-20 °C ... 85 °C***
Top material	Stainless steel*
Center / base material	GJS*
Seal material	FKM / EPDM*
Electrical measuring connector	5-pin / 6-pin M16 x 0.75* circular connector
IP degree of protection	IP67 (DIN EN 60529)

* More available upon request
 ** For 4 ... 20 mA, HySense® SC 100 required (please refer to page 173)
 *** High-temperature version for up to 160 °C available upon request

Flow rate	Measuring range	G	D	Weight	H1	H2	H3
	L/min		mm	g			
1 L/min	0.005 ... 1	ISO 228-G 1/4	84	Approx. 1600	67	50	12
5 L/min	0.05 ... 5	ISO 228-G 1/4	96	Approx. 2700	66	59	13
30 L/min	0.2 ... 30	ISO 228-G 3/8	106	Approx. 3600	66	67	15
70 L/min	0.7 ... 70	ISO 228-G 3/4	136	Approx. 8500	60	93	20
300 L/min	3.0 ... 300	SAE 1-1/4	210	Approx. 32000	45	145	42

Flow rate	Max. operating pressure	Measuring accuracy
	bar	
1 L/min	420	±0.5% of reading
5 L/min	420	±0.5% of reading
30 L/min	420	±0.5% of reading
70 L/min	420	±0.4% of reading
300 L/min	420	±0.5% of reading

Part No. **3W43-XX-Y-35.ZZZ**

Chemical compatibility

W = 1 Hydraulic fluids, transmission fluids

A Skydrol (available starting mid-2020)

Thread / Flow range

XX = 01 ISO 228-G 1/4 0.005 ... 1 L/min

02 ISO 228-G 1/4 0.05 ... 5 L/min

03 ISO 228-G 3/8 0.2 ... 30 L/min

04 ISO 228-G 3/4 0.7 ... 70 L/min

05 1 1/4 SAE flange 3 ... 300 L/min

Electrical connector

Y = S 6-pin M16 x 0.75 circular connector, ISDS

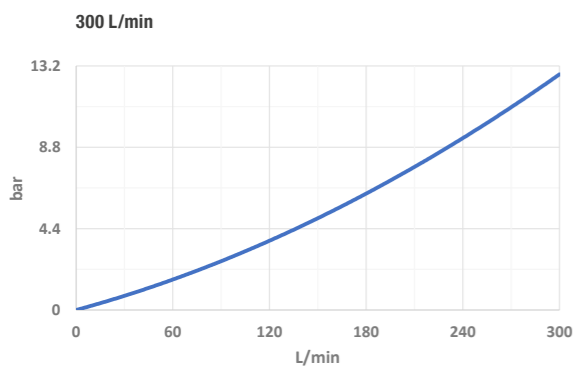
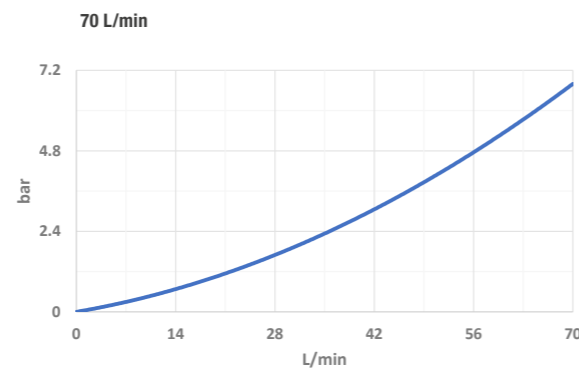
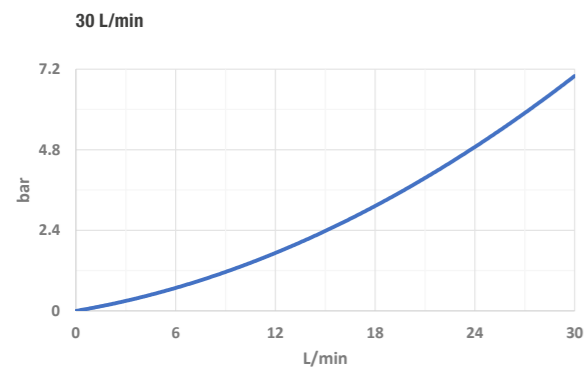
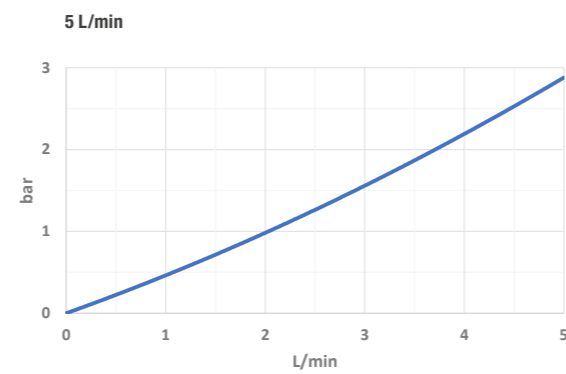
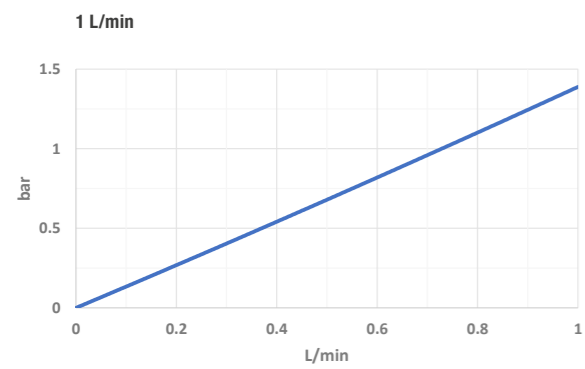
5-pin M16 x 0.75 circular connector, not compatible with HySense® SC 100 (Omit "Y" from the Part No. when choosing this version)

Calibration viscosity

W = 1 → 30 mm²/s **ZZZ = 030**

W = A → 11 mm²/s **ZZZ = 011**

Pressure differential at 30 mm²/s



ICS Schneider Messtechnik GmbH
 Briesestraße 59
 D-16562 Hohen Neuendorf / OT Bergfelde

Tel.: 03303 / 50 40 66
 Fax: 03303 / 50 40 68

info@ics-schneider.de
 www.ics-schneider.de