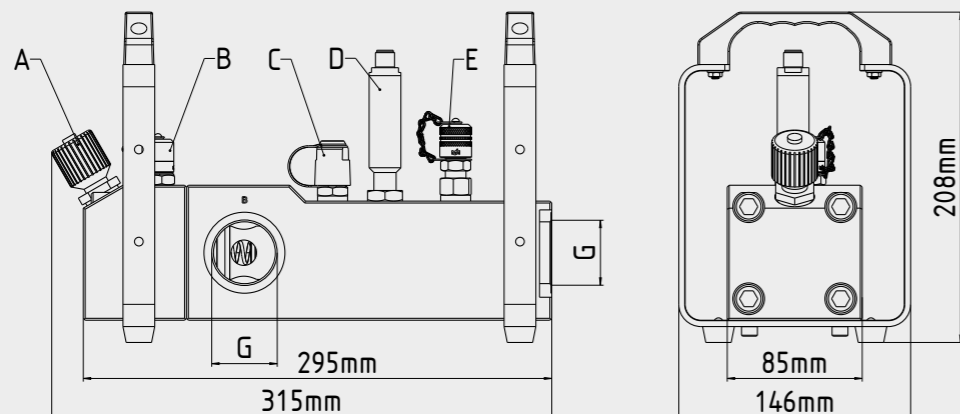


HySense® QL 2xx

The **HySense® QL 2xx** series is characterized by a compact and heavy-duty design, making it the ideal choice for portable applications. Moreover, it features a wide measuring range of up to 600 L/min.



A	Throttle valve for continuous pressure adjustments
B	MINIMESS® 1620 series test point
C	MINIMESS® 1620 series test point, plastic cap
D	HySense® RS series inductive sensor
E	MINIMESS® 1620 series p/T test point



General characteristics	
Fluid	Fuels, hydraulic fluids, transmission fluids, brake fluid, Skydrol*
Flow range	12 ... 600 L/min*
Output signal	Frequency, CANopen, 4 ... 20 mA
Response time	< 0.05 s
Viscosity range	1 ... 150 mm ² /s (cSt)*
Measuring accuracy	Up to ±0.5% of reading
Fluid temperature	-20 °C ... 100 °C*
Ambient temperature	-20 ... 85 °C
Turbine housing material	Aluminum
Seal material	FKM*
IP degree of protection	IP67 (DIN EN 60529)

* More available upon request

Flow rate	Measuring range	G	Max. operating pressure	Weight	Measuring accuracy		
					QL 200 ¹	QL 206	QL 210 ²
600 L/min	12 ... 600	ISO 228	bar	g	QL 200 ¹	QL 206	QL 210 ²
		G 1 1/4	350	Approx. 6520	±0.5% of reading		

¹ Different if a constant calibration value is used; please refer to the technical data sheet

² Additionally ±0.1% of full scale

Part No. 3WXQ-72-35.ZZZ

Chemical compatibility

W = 1 Hydraulic fluids, transmission fluids
A Skydrol (available starting mid-2020)

Sensor

X = C QL 206 CAN, M12 electrical connector, 5-pin, ISDS
I QL 210 analog 4 ... 20 mA, M12 electrical connector, 4-pin, ISDS
J QL 210 analog 4 ... 20 mA, M16 electrical connector, 6-pin, ISDS
K QL 200 frequency, M12 electrical connector, 4-pin, ISDS
V QL 200 frequency, M16 electrical connector, 6-pin, ISDS

Calibration viscosity

W = 1 → 30 mm²/s: **ZZZ = 030**
A → 11 mm²/s: **ZZZ = 011**

Pressure differential at 30 mm²/s

