

Level sensor with reed measuring chain, model FLR

EN

Niveau-Messwertgeber mit Reed-Messkette, Typ FLR

DE

CE



Level sensor, model FLR

EN Operating instructions model FLR **Page** 3 - 18

DE Betriebsanleitung Typ FLR **Seite** 19 - 34

© 09/2016 WIKA Alexander Wiegand SE & Co. KG

All rights reserved. / Alle Rechte vorbehalten.

WIKA® and KSR® are registered trademarks in various countries.

WIKA® and KSR® sind geschützte Marken in verschiedenen Ländern.

Prior to starting any work, read the operating instructions!

Keep for later use!

Vor Beginn aller Arbeiten Betriebsanleitung lesen!

Zum späteren Gebrauch aufbewahren!

Contents

1. General information	4
2. Design and function	5
3. Safety	6
4. Transport, packaging and storage	11
5. Commissioning, operation	11
6. Faults	15
7. Maintenance and cleaning	16
8. Dismounting, return and disposal	17
9. Specifications	18

Declarations of conformity can be found online at www.wika.com.

1. General information

1. General information

EN

- The level sensors described in the operating instructions have been designed and manufactured using state-of-the-art technology. All components are subject to stringent quality and environmental criteria during production. Our management systems are certified to ISO 9001.
- These operating instructions contain important information on handling the instrument. Working safely requires that all safety instructions and work instructions are observed.
- Observe the relevant local accident prevention regulations and general safety regulations for the instrument's range of use.
- The operating instructions are part of the product and must be kept in the immediate vicinity of the instrument and readily accessible to skilled personnel at any time. Pass the operating instructions on to the next operator or owner of the instrument.
- Skilled personnel must have carefully read and understood the operating instructions prior to beginning any work.
- The general terms and conditions contained in the sales documentation shall apply.
- Subject to technical modifications.
- Further information:
 - Internet address: www.wika.de / www.wika.com
 - Relevant data sheet: LM 20.02

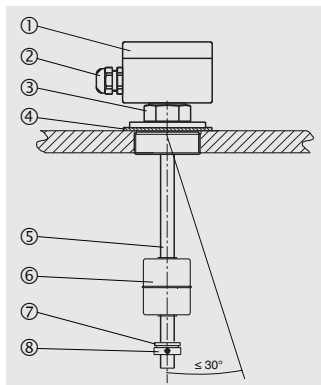
2. Design and function

EN

2. Design and function

2.1 Functional description

Level sensors work on the float principle with magnetic transmission. A permanent magnet built into the float ⑥ triggers, with its magnetic field, the resistance measuring chain built into the guide tube. The entire assembly corresponds to a 3-wire potentiometer circuit. The float ⑥ changes its height with the level of the medium it is monitoring. The measured resistance signal is proportional to the level. The measurement voltage is very finely stepped due to the contact separation of the resistance measuring chain and is thus virtually continuous.



- ① Connection housing
- ② Cable gland
- ③ Spanner flats for screwing in
- ④ Sealing
- ⑤ Guide tube
- ⑥ Float
- ⑦ Teflon disc
- ⑧ Float stop

2.2 Scope of delivery

Cross-check scope of delivery with delivery note.

3. Safety

3. Safety

3.1 Explanation of symbols

EN



DANGER!

... indicates a directly dangerous situation resulting in serious injury or death, if not avoided.



WARNING!

... indicates a potentially dangerous situation that can result in serious injury or death, if not avoided.



CAUTION!

... indicates a potentially dangerous situation that can result in light injuries or damage to equipment or the environment, if not avoided.



Information

... points out useful tips, recommendations and information for efficient and trouble-free operation.

3.2 Intended use

Level sensors are used exclusively for monitoring the levels of liquid media. The scope of application is defined by the technical performance limits and materials.

- The liquids must not have any large contamination or coarse particulates and must not have a tendency to crystallise. Ensure that the wetted materials of the level sensor are sufficiently resistant to the medium being monitored. Not suitable for dispersions, abrasive liquids, highly viscous media and colours.
- This instrument is not permitted to be used in hazardous areas! For these areas, level sensors with approval (e.g. in accordance with ATEX) are required.

3. Safety

EN

- The operating conditions specified in the operating instructions must be observed.
- Do not operate the instrument in the direct vicinity of ferromagnetic environments (min. distance 50 mm).
- Do not operate the instrument in the immediate vicinity of strong electromagnetic fields or in the immediate vicinity of equipment that can be affected by magnetic fields (min. clearance 1 m).
- The level sensors must not be exposed to heavy mechanical strain (impact, bending, vibration).
- The technical specifications contained in these operating instructions must be observed. Improper handling or operation of the instrument outside of its technical specifications requires the instrument to be taken out of service immediately and inspected by an authorised WIKA service engineer.

The instrument has been designed and built solely for the intended use described here, and may only be used accordingly.

The manufacturer shall not be liable for claims of any type based on operation contrary to the intended use.



DANGER!

Work on vessels involves the danger of intoxication and suffocation. No work is allowed to be carried out unless by taking suitable personal protective measures (e.g. respiratory protection apparatus, protective outfit etc.).

3. Safety

3.3 Improper use

Improper use is defined as any application that exceeds the technical performance limits or is not compatible with the materials.

EN



WARNING!

Injuries through improper use

Improper use of the instrument can lead to hazardous situations and injuries.

- ▶ Refrain from unauthorised modifications to the instrument.
- ▶ Do not use the instrument within hazardous areas.

Any use beyond or different to the intended use is considered as improper use.

Do not use this instrument in safety or emergency stop devices.

3.4 Responsibility of the operator

The instrument is used in the industrial sector. The operator is therefore responsible for legal obligations regarding safety at work.

The safety instructions within these operating instructions, as well as the safety, accident prevention and environmental protection regulations for the application area must be maintained.

To ensure safe working on the instrument, the operating company must ensure the following:

- The operating personnel are regularly instructed in all topics regarding work safety, first aid and environmental protection and know the operating instructions and in particular, the safety instructions contained therein.
- The operating personnel have read the operating instructions and taken note of the safety instructions contained therein.
- The intended use for the application is complied with.
- Following testing, improper use of the instrument is excluded.

3. Safety

3.5 Personnel qualification



WARNING!

Risk of injury should qualification be insufficient

Improper handling can result in considerable injury and damage to equipment.

- ▶ The activities described in these operating instructions may only be carried out by skilled personnel who have the qualifications described below.

Skilled personnel

Skilled personnel, authorised by the operator, are understood to be personnel who, based on their technical training, knowledge of measurement and control technology and on their experience and knowledge of country-specific regulations, current standards and directives, are capable of carrying out the work described and independently recognising potential hazards.

3.6 Personal protective equipment

The personal protective equipment is designed to protect the skilled personnel from hazards that could impair their safety or health during work. When carrying out the various tasks on and with the instrument, the skilled personnel must wear personal protective equipment.

Follow the instructions displayed in the work area regarding personal protective equipment!

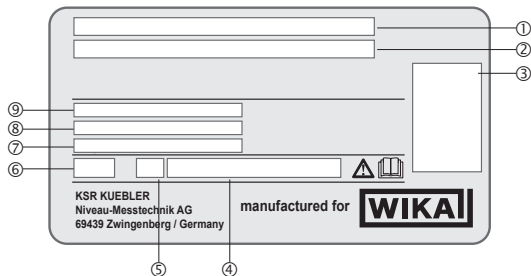
The requisite personal protective equipment must be provided by the operating company.

3. Safety

3.7 Labelling, safety marks

Product label

EN



- ① Model, designation
- ② Instrument code
- ③ Circuit diagram with colour coding per IEC 757
- ④ Switching power
- ⑤ Symbol of protection class per EN 61140
- ⑥ Ingress protection per IEC/EN 60529
- ⑦ Measuring point number
- ⑧ Article number
- ⑨ Serial number



Before mounting and commissioning the instrument, ensure you read the operating instructions!

4. Transport ... / 5. Commissioning, operation

EN

4. Transport, packaging and storage

4.1 Transport

Check the level sensor for any damage that may have been caused by transport. Obvious damage must be reported immediately.



CAUTION!

With improper transport, a high level of damage to property can occur.

- ▶ Observe the symbols on the packaging.
- ▶ Handle packed goods with care.

4.2 Packaging and storage

Do not remove packaging until just before commissioning.

Keep the packaging as it will provide optimum protection during transport (e.g. change in installation site, sending for repair).

5. Commissioning, operation

- Observe all instructions given on the shipment packaging for removing the transportation safety devices.
- Remove the level sensor carefully from the packaging!
- When unpacking, check all components for any external damage.

5.1 Functional check

Prior to installation, a functional test of the level sensor can be carried out with a resistance measuring instrument and manual movement of the float.

5. Commissioning, operation

The following table describes the measurements and the expected measured values for the movement of the float, from bottom to top.

EN

Resistance measurement of the wire colours	Measured value
BK – BN (R1)	Resistance value rises proportionally with the position of the float.
BU – BN (R2)	Resistance value drops in inverse proportion to the position of the float.
BK – BU (Ri)	Resistance value remains constant, irrespective of the position of the float.




WARNING!

Ensure that the functional check does not start any unintended processes.

5.2 Mounting preparation

Ensure that the sealing faces of the vessel or level sensor are clean and do not show any mechanical damage.

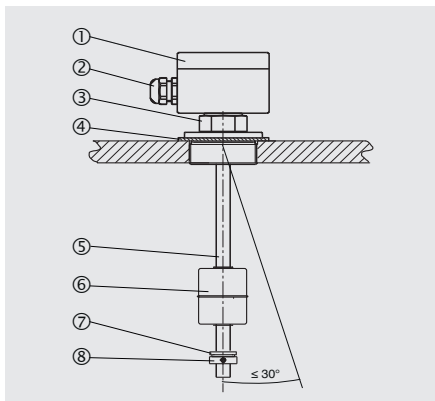
5.3 Mounting

- Observe the torque values of screws specified in pipefitting work.
- In the selection of the mounting material (sealings, screws, washers and nuts), take the process conditions into account. The suitability of the sealing must be specified with regard to the medium and its vapours. In addition, ensure it has corresponding corrosion resistance.
- The level sensor is mounted to the vessel from the outside
- The guide tube  should not be inclined more than a maximum of 30° to the vertical.
- Mount the level sensor correctly for the design of the process connection.

5. Commissioning, operation

EN

- If the opening of the process connection is too small for the float, the float must be removed before mounting.
 - Before removal, mark the position of the float stop ⑧ with a water-proof pen
 - Mark the mounting position of the float (e.g. "Up")
 - After the level sensor has been mounted, the float should be re-attached within the inside of the tank (pay attention to the mounting position!).
 - Secure the float stop ⑧ again at the marked point.



Special conditions for instruments with approval per 3-A Sanitary Standard

- Weld the instrument with a 3/8" mounting thread on the media side. The roughness of the welding seam must be smaller than R_a 0.4 μm .
- The thread length visible from the outside should not be more than 1.5 threads. To any threads that do not fulfil these requirements, a special union nut must be fitted.
- When mounting instruments with Tri-Clamp connections, only fit the permitted seals.

5. Commissioning, operation

5.4 Electrical connection

- The electrical connection must only be made by qualified skilled personnel.
- Wire the level sensor in accordance with the connection diagram of the electrical output (see product label). The connection terminals are appropriately marked.

EN

Electrical output	Connection diagram
The entire assembly corresponds to a 3-wire potentiometer circuit	
Head-mounted transmitter with 4 ... 20 mA	

- Seal the cable bushing ② at the connection housing ①.



WARNING!

Malfunctions through voltage spikes due to running cables together with mains connection leads or due to large cable lengths.

This can lead to a malfunction in the plant and thus lead to injury to personnel or damage to equipment.

- ▶ Use shielded connection leads.
- ▶ Ground connection leads at one end.

Always observe the mounting and operating instructions of accessories when commissioning them.

6. Faults

6. Faults



The following table contains the most frequent causes of faults and the necessary countermeasures.

EN

Faults	Causes	Measures
Level sensor cannot be mounted at the planned place on the vessel	Process connection of the level sensor does not match to the process connection of the vessel.	Modification of the vessel Return to the manufacturer
	Process connection at the vessel defective	Rework the thread or replace the screwed coupling
	Mounting thread at the level sensor defective	Return to the manufacturer
No signal, non-linear or undefined signals	Electrical connection incorrect	See chapter 5.4 "Electrical connection". Check the assignment with the aid of the connection diagram.
	Measuring chain defective	Return to the manufacturer
	Head-mounted transmitter defective	
	Head-mounted transmitter adjusted incorrectly	



CAUTION!

Physical injuries and damage to property and the environment

If faults cannot be eliminated by means of the listed measures, the instrument must be taken out of operation immediately.

- ▶ Ensure that there is no longer any pressure present and protect against being put into operation accidentally.
- ▶ Contact the manufacturer.
- ▶ If a return is needed, please follow the instructions given in chapter 8.2 "Return".

7. Maintenance and cleaning

7. Maintenance and cleaning

7.1 Maintenance

EN

When used properly, the level sensors work maintenance-free. They must be subjected to visual inspection within the context of regular maintenance, however, and included in the vessel pressure test.



DANGER!

Work on containers involves the danger of intoxication and suffocation. No work is allowed to be carried out unless by taking suitable personal protective measures (e.g. respiratory protection apparatus, protective outfit etc.).

Repairs must only be carried out by the manufacturer.



Perfect functioning of the level sensors can only be guaranteed when original accessories and spare parts are used.

7.2 Cleaning



CAUTION!

Physical injuries and damage to property and the environment

Improper cleaning may lead to physical injuries and damage to property and the environment. Residual media in the dismantled instrument can result in a risk to persons, the environment and equipment.

- ▶ Rinse or clean the removed instrument.
- ▶ Take sufficient precautionary measures.

1. Prior to cleaning, properly disconnect the instrument from the process and the power supply.
2. Clean the instrument carefully with a moist cloth.
3. Electrical connections must not come into contact with moisture!

7. Maintenance ... / 8. Dismounting, return ...



CAUTION!

Damage to property

Improper cleaning may lead to damage to the instrument!

- ▶ Do not use any aggressive cleaning agents.
- ▶ Do not use any pointed and hard objects for cleaning.

EN

8. Dismounting, return and disposal



WARNING!

Physical injuries and damage to property and the environment through residual media

Residual media in the dismantled instrument can result in a risk to persons, the environment and equipment.

- ▶ Wash or clean the dismantled instrument, in order to protect persons and the environment from exposure to residual media.

8.1 Dismounting

Only disconnect the measuring instrument once the system has been depressurised and the power disconnected!

8.2 Return

Wash or clean the dismantled level sensor before returning it, in order to protect personnel and the environment from exposure to residual media.



Information on returns can be found under the heading “Service” on our local website.

8.3 Disposal

Incorrect disposal can put the environment at risk.

Dispose of instrument components and packaging materials in an environmentally compatible way and in accordance with the country-specific waste disposal regulations.

9. Specifications

9. Specifications

Operating limits

- Operating temperature: $T = -80 \dots +200 \text{ °C}$
- Operating pressure: $p = -1 \dots 80 \text{ bar}$

EN

Specifications	Models FLR-xA, FLR-xE, FLR-xF, FLR-HA3	Models FLR-xB, FLR-HB3
Permissible power supply	< AC 50 V, < DC 75 V	see the data sheet of the head-mounted transmitter used
Resolution	2.7 mm, 5.5 mm, 7.5 mm, 9 mm (depending on version)	
EU declaration of conformity	not required	see www.wika.com

For further specifications see data sheet LM 20.02

Inhalt

1. Allgemeines	20
2. Aufbau und Funktion	21
3. Sicherheit	22
4. Transport, Verpackung und Lagerung	27
5. Inbetriebnahme, Betrieb	27
6. Störungen	31
7. Wartung und Reinigung	32
8. Demontage, Rücksendung und Entsorgung	33
9. Technische Daten	34

Konformitätserklärungen finden Sie online unter www.wika.de.

1. Allgemeines

1. Allgemeines

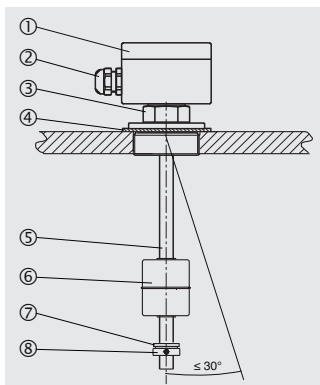
- Die in der Betriebsanleitung beschriebenen Niveau-Messwertgeber werden nach dem aktuellen Stand der Technik konstruiert und gefertigt. Alle Komponenten unterliegen während der Fertigung strengen Qualitäts- und Umweltkriterien. Unsere Managementsysteme sind nach ISO 9001 zertifiziert.
- Diese Betriebsanleitung gibt wichtige Hinweise zum Umgang mit dem Gerät. Voraussetzung für sicheres Arbeiten ist die Einhaltung aller angegebenen Sicherheitshinweise und Handlungsanweisungen.
- Die für den Einsatzbereich des Gerätes geltenden örtlichen Unfallverhütungsvorschriften und allgemeinen Sicherheitsbestimmungen einhalten.
- Die Betriebsanleitung ist Produktbestandteil und muss in unmittelbarer Nähe des Gerätes für das Fachpersonal jederzeit zugänglich aufbewahrt werden. Betriebsanleitung an nachfolgende Benutzer oder Besitzer des Gerätes weitergeben.
- Das Fachpersonal muss die Betriebsanleitung vor Beginn aller Arbeiten sorgfältig durchgelesen und verstanden haben.
- Es gelten die allgemeinen Geschäftsbedingungen in den Verkaufsunterlagen.
- Technische Änderungen vorbehalten.
- Weitere Informationen:
 - Internet-Adresse: www.wika.de / www.wika.com
 - Zugehöriges Datenblatt: LM 20.02

2. Aufbau und Funktion

2. Aufbau und Funktion

2.1 Funktionsbeschreibung

Niveau-Messwertgeber arbeiten nach dem Schwimmerprinzip mit magnetischer Übertragung. Ein im Schwimmer ⑥ eingebauter Permanentmagnet betätigt durch sein Magnetfeld die im Gleitrohr ⑤ eingebaute Widerstandsmesskette. Der gesamte Aufbau entspricht einer 3-Leiter-Potentiometerschaltung. Der Schwimmer ⑥ verändert seine Höhenlage mit dem Flüssigkeitspegel des zu überwachenden Messstoffes. Das gemessene Widerstandssignal ist proportional zum Füllstand. Die Messspannung ist bedingt durch das Kontaktaster der Widerstandsmesskette sehr feinstufig und damit quasikontinuierlich.



- ① Anschlussgehäuse
- ② Kabelverschraubung
- ③ Schlüsselfläche zum Einschrauben
- ④ Dichtung
- ⑤ Gleitrohr
- ⑥ Schwimmer
- ⑦ Teflonscheibe
- ⑧ Schwimmeranschlag

2.2 Lieferumfang

Lieferumfang mit dem Lieferschein abgleichen.

3. Sicherheit

3. Sicherheit

3.1 Symbolerklärung



GEFAHR!

... weist auf eine unmittelbar gefährliche Situation hin, die zum Tod oder zu schweren Verletzungen führt, wenn sie nicht gemieden wird.



WARNUNG!

... weist auf eine möglicherweise gefährliche Situation hin, die zum Tod oder zu schweren Verletzungen führen kann, wenn sie nicht gemieden wird.



VORSICHT!

... weist auf eine möglicherweise gefährliche Situation hin, die zu geringfügigen oder leichten Verletzungen bzw. Sach- und Umweltschäden führen kann, wenn sie nicht gemieden wird.



Information

... hebt nützliche Tipps und Empfehlungen sowie Informationen für einen effizienten und störungsfreien Betrieb hervor.

3.2 Bestimmungsgemäße Verwendung

Niveau-Messwertgeber dienen ausschließlich der Füllstandsüberwachung von flüssigen Messstoffen. Der Einsatzbereich ergibt sich aus den technischen Leistungsgrenzen und Werkstoffen.

- Die Flüssigkeiten dürfen keine starken Verschmutzungen oder Grobteile aufweisen und nicht zum Auskristallisieren neigen. Es ist sicherzustellen, dass die medienberührenden Werkstoffe des Niveau-Messwertgebers gegen den zu überwachenden Messstoff ausreichend beständig sind. Nicht geeignet für Dispersionen, abrasive Flüssigkeiten, hochviskose Medien und Farben.

3. Sicherheit

DE

- Dieses Gerät ist nicht für den Einsatz in explosionsgefährdeten Bereichen zugelassen! Für diese Bereiche sind Niveau-Messwertgeber mit Zulassung (z. B. nach ATEX) erforderlich.
- Die in der Betriebsanleitung angegebenen Einsatzbedingungen sind einzuhalten.
- Gerät nicht in unmittelbarer Nähe von ferromagnetischer Umgebung (Abstand min. 50 mm) betreiben.
- Gerät nicht in unmittelbarer Nähe von starken elektromagnetischen Feldern bzw. in unmittelbarer Nähe von Einrichtungen betreiben, die durch Magnetfelder beeinflusst werden können (Abstand min. 1 m).
- Die Niveau-Messwertgeber dürfen keinen starken mechanischen Belastungen (Stoß, Verbiegen, Vibrationen) ausgesetzt werden.
- Die technischen Spezifikationen in dieser Betriebsanleitung sind einzuhalten. Eine unsachgemäße Handhabung oder ein Betreiben des Gerätes außerhalb der technischen Spezifikationen macht die sofortige Stilllegung und Überprüfung durch einen autorisierten WIKA-Servicemitarbeiter erforderlich.

Das Gerät ist ausschließlich für den hier beschriebenen bestimmungsgemäßen Verwendungszweck konzipiert und konstruiert und darf nur dementsprechend verwendet werden.

Ansprüche jeglicher Art aufgrund von nicht bestimmungsgemäßer Verwendung sind ausgeschlossen.



GEFAHR!

Beim Arbeiten an Behältern, besteht Vergiftungs- oder Erstickungsgefahr. Arbeiten dürfen nur unter Anwendung geeigneter Personenschutzmaßnahmen (z. B. Atemschutzgerät, Schutzkleidung o. Ä.) durchgeführt werden.

3. Sicherheit

3.3 Fehlgebrauch

Als Fehlgebrauch gilt jede Verwendung, die die technischen Leistungsgrenzen überschreitet oder mit den Werkstoffen unverträglich ist.



WARNUNG!

Verletzungen durch Fehlgebrauch

Fehlgebrauch des Gerätes kann zu gefährlichen Situationen und Verletzungen führen.

- ▶ Eigenmächtige Umbauten am Gerät unterlassen.
- ▶ Gerät nicht in explosionsgefährdeten Bereichen einsetzen.

Jede über die bestimmungsgemäße Verwendung hinausgehende oder andersartige Benutzung gilt als Fehlgebrauch.

Dieses Gerät nicht in Sicherheits- oder in Not-Aus-Einrichtungen benutzen.

3.4 Verantwortung des Betreibers

Das Gerät wird im gewerblichen Bereich eingesetzt. Der Betreiber unterliegt daher den gesetzlichen Pflichten zur Arbeitssicherheit.

Die Sicherheitshinweise dieser Betriebsanleitung, sowie die für den Einsatzbereich des Gerätes gültigen Sicherheits-, Unfallverhütungs- und Umweltschutzvorschriften einhalten.

Für ein sicheres Arbeiten am Gerät muss der Betreiber Folgendes sicherstellen:

- Bedienpersonal wird regelmäßig in allen zutreffenden Fragen von Arbeitssicherheit, Erste Hilfe und Umweltschutz unterwiesen.
- Bedienpersonal hat Betriebsanleitung gelesen und insbesondere die darin enthaltenen Sicherheitshinweise zur Kenntnis genommen.
- Die bestimmungsgemäße Verwendung für den Anwendungsfall wird eingehalten.
- Nach Prüfung ist ein Fehlgebrauch des Gerätes ausgeschlossen.

3.5 Personalqualifikation



WARNUNG!

Verletzungsgefahr bei unzureichender Qualifikation

Unsachgemäßer Umgang kann zu erheblichen Personen- und Sachschäden führen.

- ▶ Die in dieser Betriebsanleitung beschriebenen Tätigkeiten nur durch Fachpersonal nachfolgend beschriebener Qualifikation durchführen lassen.

DE

Fachpersonal

Das vom Betreiber autorisierte Fachpersonal ist aufgrund seiner fachlichen Ausbildung, seiner Kenntnisse der Mess- und Regelungstechnik und seiner Erfahrungen sowie Kenntnis der landesspezifischen Vorschriften, geltenden Normen und Richtlinien in der Lage, die beschriebenen Arbeiten auszuführen und mögliche Gefahren selbstständig zu erkennen.

3.6 Persönliche Schutzausrüstung

Die persönliche Schutzausrüstung dient dazu, das Fachpersonal gegen Gefahren zu schützen, die dessen Sicherheit oder Gesundheit bei der Arbeit beeinträchtigen könnten. Beim Ausführen der verschiedenen Arbeiten an und mit dem Gerät muss das Fachpersonal persönliche Schutzausrüstung tragen.

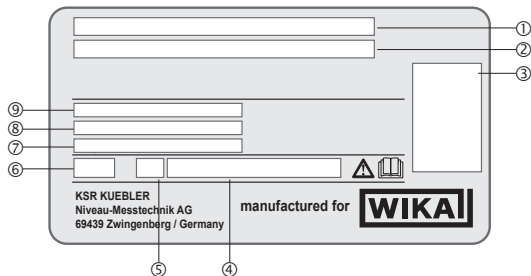
Im Arbeitsbereich angebrachte Hinweise zur persönlichen Schutzausrüstung befolgen!

Die erforderliche persönliche Schutzausrüstung muss vom Betreiber zur Verfügung gestellt werden.

3. Sicherheit

3.7 Beschilderung, Sicherheitskennzeichnungen

Typenschild



- ① Typ, Bezeichnung
- ② Gerätecodierung
- ③ Schaltbild mit Farbkurzzeichen nach IEC 757
- ④ Schaltleistung
- ⑤ Symbol der Schutzklasse nach EN 61140
- ⑥ Schutzart nach IEC/EN 60529
- ⑦ Messstellennummer
- ⑧ Artikelnummer
- ⑨ Seriennummer



Vor Montage und Inbetriebnahme des Gerätes unbedingt die Betriebsanleitung lesen!

4. Transport, Verpackung und Lagerung

4.1 Transport

Niveau-Messwertgeber auf eventuell vorhandene Transportschäden untersuchen. Offensichtliche Schäden unverzüglich mitteilen.



VORSICHT!

Bei unsachgemäßem Transport können Sachschäden in erheblicher Höhe entstehen.

- ▶ Symbole auf der Verpackung beachten.
- ▶ Packstücke vorsichtig behandeln.

DE

4.2 Verpackung und Lagerung

Verpackung erst unmittelbar vor der Inbetriebnahme entfernen. Die Verpackung aufbewahren, denn diese bietet bei einem Transport einen optimalen Schutz (z. B. wechselnder Einbauort, Reparatursendung).

5. Inbetriebnahme, Betrieb

- Alle auf der Versandverpackung angegebenen Hinweise zum Entfernen der Transportsicherungen beachten.
- Den Niveau-Messwertgeber vorsichtig aus der Verpackung entnehmen!
- Beim Auspacken alle Teile auf äußerliche Beschädigungen überprüfen.

5.1 Funktionsprüfung

Vor der Montage kann eine Funktionsprüfung des Niveau-Messwertgebers mit einem Widerstandsmessgerät und manueller Schwimmbewegung erfolgen.

5. Inbetriebnahme, Betrieb

Die nachfolgende Tabelle beschreibt die Messungen und die erwarteten Messwerte bei der Bewegung des Schwimmers von unten nach oben.

Widerstandsmessung der Aderfarben	Messwert
BK – BN (R1)	Widerstandswert steigt proportional mit der Position des Schwimmers an.
BU – BN (R2)	Widerstandswert sinkt umgekehrt proportional mit der Position des Schwimmers.
BK – BU (Ri)	Widerstandswert bleibt unabhängig von der Schwimmerposition konstant.

DE




WARNUNG!

Sicherstellen, dass die Funktionsprüfung keine unbeabsichtigten Prozesse startet.

5.2 Montagevorbereitung

Sicherstellen, dass die Dichtflächen des Behälters bzw. des Niveau-Messwertgebers sauber sind und keine mechanische Beschädigung aufweisen.

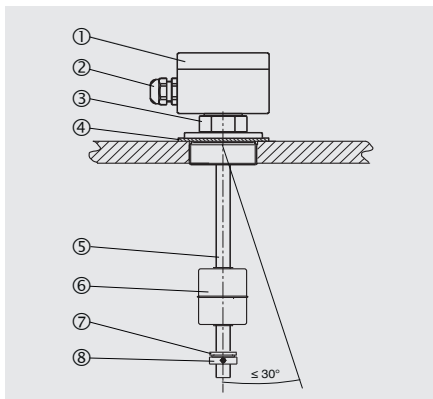
5.3 Montage

- Die im Rohrleitungsbau vorgeschriebenen Drehmomentwerte der Schrauben einhalten.
- Bei der Auswahl des Montagematerials (Dichtungen, Schrauben, Unterlegscheiben und Muttern) die Prozessbedingungen beachten. Die Eignung der Dichtung muss hinsichtlich Messstoff und dessen Dämpfen gegeben sein. Zusätzlich ist auf entsprechende Korrosionsbeständigkeit zu achten.
- Der Niveau-Messwertgeber wird von außen an den Behälter montiert
- Das Gleitrohr  darf maximal 30° zur Vertikalen geneigt sein.
- Niveau-Messwertgeber je nach Ausführung des Prozessanschlusses fachgerecht montieren.

5. Inbetriebnahme, Betrieb

DE

- Ist die Öffnung des Prozessanschlusses zu klein für den Schwimmer, muss der Schwimmer vor der Montage entfernt werden.
 - Position des Schwimmeranschlages ® vor dem Abbauen mit einem wasserfesten Stift markieren
 - Einbaulage des Schwimmers kennzeichnen (z. B. „Oben“)
 - Nach der Montage des Niveau-Messwertgebers ist der Schwimmer im Inneren des Tanks wieder anzubauen (Einbaulage beachten!).
 - Schwimmeranschlag ® an der markierten Stelle wieder befestigen.



Besondere Bedingungen für Geräte mit Zulassung nach 3-A Sanitary Standard

- Geräte mit einem 3/8"-Einschraubgewinde auf der Messstoffseite verschweißen. Die Rauheit der Schweißnaht muss kleiner als $R_a 0,4 \mu\text{m}$ sein.
- Die außen sichtbare Gewindelänge darf 1,5 Gewindegänge nicht überschreiten. Auf Gewinde, welche diese Anforderungen nicht erfüllen, muss eine spezielle Überwurfmutter aufgesetzt werden.
- Beim Einbau von Geräten mit Tri-Clamp-Anschluss nur zugelassene Dichtungen einsetzen.

5. Inbetriebnahme, Betrieb

5.4 Elektrischer Anschluss

- Der elektrische Anschluss darf nur durch qualifiziertes Fachpersonal erfolgen.
- Niveau-Messwertgeber nach Anschlusschema des elektrischen Ausgangs (siehe Typenschild) verdrahten. Die Anschlussklemmen sind entsprechend gekennzeichnet.

DE

Elektrischer Ausgang	Anschlusschema
3-Leiter-Potentiometer-schaltung	
Kopftransmitter mit 4 ... 20 mA	

- Die Kabeldurchführung ② am Anschlussgehäuse ① abdichten.



WARNUNG!

Fehlfunktionen bei gemeinsamer Verlegung mit Netzanschlussleitungen oder bei großen Leitungslängen durch Spannungsspitzen.

Dies kann zu einer Fehlfunktion der Anlage und dadurch zu Personen- oder Sachschäden führen.

- ▶ Abgeschirmte Anschlussleitungen verwenden.
- ▶ Anschlussleitungen einseitig erden.

Zur Inbetriebnahme von Zubehör unbedingt die jeweilige Montage- und Betriebsanleitung beachten.

6. Störungen

6. Störungen



In der folgenden Tabelle sind die häufigsten Fehlerursachen und erforderliche Gegenmaßnahmen aufgeführt.

DE

Störungen	Ursachen	Maßnahmen
Niveau-Messwertgeber lässt sich nicht an der vorgesehenen Stelle am Behälter anbauen	Prozessanschluss des Niveau-Messwertgebers passt nicht zu dem Prozessanschluss des Behälters	Umbau des Behälters Rücksendung an den Hersteller
	Prozessanschluss am Behälter defekt	Nacharbeiten des Gewindes oder Austauschen der Befestigungsmuffe
	Einschraubgewinde am Niveau-Messwertgeber defekt	Rücksendung an den Hersteller
Keine, nicht-lineare oder undefinierte Signale	Elektrischer Anschluss falsch	Siehe Kapitel 5.4 „Elektrischer Anschluss“. Belegung mit Hilfe des Anschlusschemas prüfen.
	Messkette defekt	Rücksendung an den Hersteller
	Kopftransmitter defekt	
Kopftransmitter falsch justiert		



VORSICHT!

Körperverletzungen, Sach- und Umweltschäden

Können Störungen mit Hilfe der aufgeführten Maßnahmen nicht beseitigt werden, Gerät unverzüglich außer Betrieb setzen.

- ▶ Sicherstellen, dass kein Druck mehr anliegt und gegen versehentliche Inbetriebnahme schützen.
- ▶ Kontakt mit dem Hersteller aufnehmen.
- ▶ Bei notwendiger Rücksendung die Hinweise unter Kapitel 8.2 „Rücksendung“ beachten.

7. Wartung und Reinigung

7. Wartung und Reinigung

7.1 Wartung

Die Niveau-Messwertgeber arbeiten bei bestimmungsgemäßem Gebrauch wartungsfrei. Sie sind jedoch im Rahmen der regelmäßigen Wartung einer Sichtkontrolle zu unterziehen und in die Druckprüfung des Behälters mit einzubeziehen.



GEFAHR!

Beim Arbeiten an Behältern besteht Vergiftungs- oder Erstickungsgefahr. Arbeiten dürfen nur unter Anwendung geeigneter Personenschutzmaßnahmen (z. B. Atemschutzgerät, Schutzkleidung o. Ä.) durchgeführt werden.

Reparaturen sind ausschließlich vom Hersteller durchzuführen.



Die Funktion der Niveau-Messwertgeber kann nur bei Verwendung von Originalzubehör und Ersatzteilen gewährleistet werden.

7.2 Reinigung



VORSICHT!

Körperverletzungen, Sach- und Umweltschäden

Eine unsachgemäße Reinigung führt zu Körperverletzungen, Sach- und Umweltschäden. Messstoffreste im ausgebauten Gerät können zur Gefährdung von Personen, Umwelt und Einrichtung führen.

- ▶ Ausgebautes Gerät spülen bzw. säubern.
- ▶ Ausreichende Vorsichtsmaßnahmen ergreifen.

1. Vor der Reinigung das Gerät ordnungsgemäß vom Prozess und der Stromversorgung trennen.
2. Das Gerät vorsichtig mit einem feuchten Tuch reinigen.
3. Elektrische Anschlüsse nicht mit Feuchtigkeit in Berührung bringen!



VORSICHT! **Sachbeschädigung**

Eine unsachgemäße Reinigung führt zur Beschädigung des Gerätes!

- ▶ Keine aggressiven Reinigungsmittel verwenden.
- ▶ Keine harten und spitzen Gegenstände zur Reinigung verwenden.

8. Demontage, Rücksendung und Entsorgung



WARNUNG! **Körperverletzungen, Sach- und Umweltschäden durch Messstoffreste**

Messstoffreste im ausgebauten Gerät können zur Gefährdung von Personen, Umwelt und Einrichtung führen.

- ▶ Ausgebautes Gerät spülen bzw. säubern, um Personen und Umwelt vor Gefährdung durch anhaftende Messstoffreste zu schützen.

8.1 Demontage

Messgerät nur im drucklosen und spannungsfreiem Zustand demontieren!

8.2 Rücksendung

Ausgebauten Niveau-Messwertgeber vor der Rücksendung spülen bzw. säubern, um Mitarbeiter und Umwelt vor Gefährdung durch anhaftende Messstoffreste zu schützen.



Hinweise zur Rücksendung befinden sich in der Rubrik „Service“ auf unserer lokalen Internetseite.

8.3 Entsorgung

Durch falsche Entsorgung können Gefahren für die Umwelt entstehen. Gerätekomponten und Verpackungsmaterialien entsprechend den landesspezifischen Abfallbehandlungs- und Entsorgungsvorschriften umweltgerecht entsorgen.

9. Technische Daten

9. Technische Daten

Einsatzgrenzen

- Betriebstemperatur: $T = -80 \dots +200 \text{ °C}$
- Betriebsdruck: $p = -1 \dots 80 \text{ bar}$

DE

Technische Daten	Typen FLR-xA, FLR-xE, FLR-xF, FLR-HA3	Typen FLR-xB, FLR-HB3
Zulässige Hilfsenergie	< AC 50 V, < DC 75 V	siehe Datenblatt des verwendeten Kopftransmitters
Auflösung	2,7 mm, 5,5 mm, 7,5 mm, 9 mm (je nach Ausführung)	
EU-Konformitätserklärung	nicht erforderlich	siehe www.wika.de

Weitere technische Daten siehe Datenblatt LM 20.02

