

Optoelectronic level switches, models OLS-C01,  
OLS-C02, OLS-C04, OLS-C05, OLS-F1, OLS-5200

EN

Optoelektronische Füllstandsschalter, Typen OLS-C01,  
OLS-C02, OLS-C04, OLS-C05, OLS-F1, OLS-5200

DE

Commutateurs de niveau opto-électroniques, types  
OLS-C01, OLS-C02, OLS-C04, OLS-C05, OLS-F1, OLS-5200

FR

Interruptor de nivel optoelectrónico, modelos OLS-C01,  
OLS-C02, OLS-C04, OLS-C05, OLS-F1, OLS-5200

ES

CE



Model OLS-C01

Model OLS-C02

Model OLS-F1

**WIKAI**

Part of your business

<b>EN</b>	<b>Operating instructions models OLS-C01, OLS-C02, OLS-C04, OLS-C05, OLS-F1, OLS-5200</b>	<b>Page</b>	<b>3 - 18</b>
<b>DE</b>	<b>Betriebsanleitung Typen OLS-C01, OLS-C02, OLS-C04, OLS-C05, OLS-F1, OLS-5200</b>	<b>Seite</b>	<b>19 - 34</b>
<b>FR</b>	<b>Mode d'emploi types OLS-C01, OLS-C02, OLS-C04, OLS-C05, OLS-F1, OLS-5200</b>	<b>Page</b>	<b>35 - 50</b>
<b>ES</b>	<b>Manual de instrucciones modelos OLS-C01, OLS-C02, OLS-C04, OLS-C05, OLS-F1, OLS-5200</b>	<b>Página</b>	<b>51 - 66</b>

© 08/2017 WIKA Alexander Wiegand SE & Co. KG  
 All rights reserved. / Alle Rechte vorbehalten.  
 WIKA® is a registered trademark in various countries.  
 WIKA® ist eine geschützte Marke in verschiedenen Ländern.

Prior to starting any work, read the operating instructions!  
 Keep for later use!

Vor Beginn aller Arbeiten Betriebsanleitung lesen!  
 Zum späteren Gebrauch aufbewahren!

Lire le mode d'emploi avant de commencer toute opération !  
 A conserver pour une utilisation ultérieure !

¡Leer el manual de instrucciones antes de comenzar cualquier trabajo!  
 ¡Guardar el manual para una eventual consulta!

# Contents

<b>1. General information</b>	<b>4</b>
<b>2. Design and function</b>	<b>4</b>
<b>3. Safety</b>	<b>6</b>
<b>4. Transport, packaging and storage</b>	<b>9</b>
<b>5. Commissioning, operation</b>	<b>10</b>
<b>6. Faults</b>	<b>11</b>
<b>7. Maintenance and cleaning</b>	<b>12</b>
<b>8. Dismounting, return and disposal</b>	<b>12</b>
<b>9. Specifications</b>	<b>13</b>

Declarations of conformity can be found online at [www.wika.com](http://www.wika.com).

# 1. General information

## 1. General information

EN

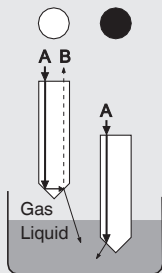
- The level switches described in the operating instructions have been designed and manufactured using state-of-the-art technology. All components are subject to stringent quality and environmental criteria during production. Our management systems are certified to ISO 9001 and ISO 14001.
- These operating instructions contain important information on handling the instrument. Working safely requires that all safety instructions and work instructions are observed.
- Observe the relevant local accident prevention regulations and general safety regulations for the instrument's range of use.
- The operating instructions are part of the product and must be kept in the immediate vicinity of the instrument and readily accessible to skilled personnel at any time. Pass the operating instructions onto the next user or owner of the instrument.
- Skilled personnel must have carefully read and understood the operating instructions prior to beginning any work.
- The general terms and conditions contained in the sales documentation shall apply.
- Subject to technical modifications.
- Further information:
  - Internet address: [www.wika.de](http://www.wika.de) / [www.wika.com](http://www.wika.com)
  - Relevant data sheet: LM 31.31 (OLS-C01)  
LM 31.32 (OLS-C02)  
LM 31.33 (OLS-C05)  
LM 31.34 (OLS-C04)  
LM 31.05 (OLS-F1)  
LM 31.06 (OLS-5200)
  - Application consultant: Tel.: +49 9372 132-0  
Fax: +49 9372 132-406  
[info@wika.com](mailto:info@wika.com)

### 2. Design and function

#### 2.1 Description

This instrument is used for the detection of limit levels in liquids. The measuring principle is independent of refractive index, density, conductivity and dielectric constant. The switches consist of an infrared LED and a phototransistor. The light of the LED is directed into a prism. So long as the sensor tip of the prism is in the gaseous phase, the light is reflected within the prism to the receiver. When the liquid reaches the glass tip, part of the light is refracted into the liquid and only a part of it is reflected into the prism. With the optional trimmer the sensitivity of the LED receiver can be adjusted for different liquids or foam.

#### Operating principle



The optoelectronic level switches are suitable for liquids such as oils, water, distilled water, aqueous media and for foam detection (with trimmer option).

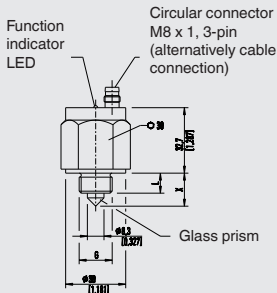
The integrated switch electronics offers an automatic adjustment so that there is a wide field of application. For the output, there is a pnp transistor switching output.

## 2. Design and function

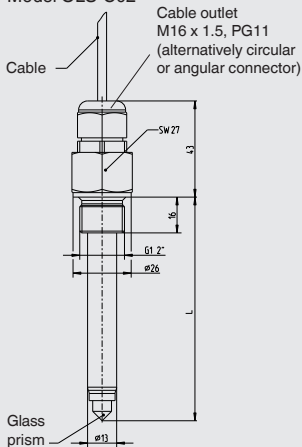
### 2.2 Dimensions in mm

EN

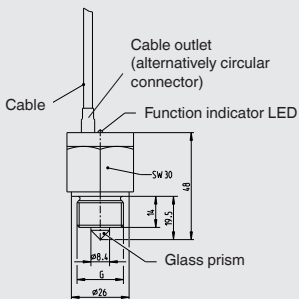
Model OLS-C01



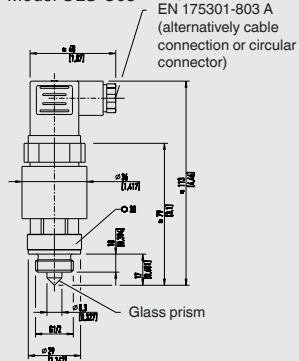
Model OLS-C02



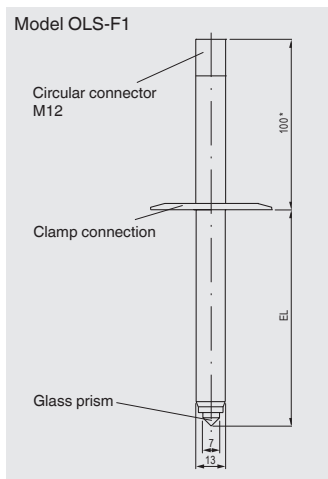
Model OLS-C04



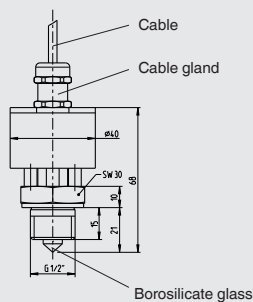
Model OLS-C05



## 2. Design and function



Model OLS-5200



### 2.3 Scope of delivery

Cross-check scope of delivery with delivery note.

### 3. Safety

EN

#### 3.1 Explanation of symbols



##### **WARNING!**

... indicates a potentially dangerous situation that can result in serious injury or death, if not avoided.



##### **CAUTION!**

... indicates a potentially dangerous situation that can result in light injuries or damage to property or the environment, if not avoided.



##### **Information**

... points out useful tips, recommendations and information for efficient and trouble-free operation.

#### 3.2 Intended use

The optoelectronic level switches should only be used for level control or monitoring of liquid media. Their scope of application is defined by their technical performance limits and materials. Improper use is defined as any application that exceeds the technical performance limits or is not compatible with the materials. Checking against improper use is the responsibility of the operator.

- The liquids must not have any large contamination or coarse particles and must not have a tendency to crystallise. Ensure that the wetted materials of the switch are sufficiently resistant to the medium being monitored. Not suitable for dispersion, abrasive liquids, highly viscous media and colours.



## 3. Safety

EN

- This instrument is not permitted to be used in hazardous areas! In hazardous areas, check the usability of the model OLS-C51 intrinsically safe switch.
- The sensitivity of the instrument is preset. For the models OLS-C01, OLS-C02, OLS-C04 and OLS-C05 a trimmer for the sensitivity is optionally available.



Avoid any shock loading (drops, impacts, etc.) to the glass tip!

The instrument has been designed and built solely for the intended use described here, and may only be used accordingly.

The manufacturer shall not be liable for claims of any type based on operation contrary to the intended use.

### 3.3 Improper use



#### **WARNING!**

#### **Injuries through improper use**

Improper use of the instrument can lead to hazardous situations and injuries.

- ▶ Refrain from unauthorised modifications to the instrument.

Any use beyond or different to the intended use is considered as improper use.

Do not use this instrument in safety or emergency stop devices.

### 3.4 Responsibility of the operator

The instrument is used in the industrial sector. The operator is therefore responsible for legal obligations regarding safety at work.

The safety instructions within these operating instructions, as well as the safety, accident prevention and environmental protection regulations for the application area must be maintained.

To ensure safe working on the instrument, the operating company must ensure

- that the operating personnel are regularly instructed in all topics regarding work safety, first aid and environmental protection and know the operating instructions and in particular, the safety instructions contained therein.
- that the instrument is suitable for the particular application in accordance with its intended use.

### 3.5 Personnel qualification



#### **WARNING!**

#### **Risk of injury should qualification be insufficient**

Improper handling can result in considerable injury and damage to equipment.

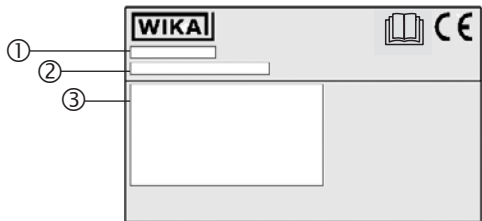
- ▶ The activities described in these operating instructions may only be carried out by skilled personnel who have the qualifications described below.

#### **Skilled personnel**

Skilled personnel, authorised by the operator, are understood to be personnel who, based on their technical training, knowledge of measurement and control technology and on their experience and knowledge of country-specific regulations, current standards and directives, are capable of carrying out the work described and independently recognising potential hazards.

### 3.6 Labelling, safety marks

#### Product label (example)



- ① Model
- ② P# product number  
S# serial number
- ③ Electrical connection



Before mounting and commissioning the instrument, ensure you read the operating instructions!

### 4. Transport, packaging and storage

EN

#### 4.1 Transport

Check the switch for any damage that may have been caused by transport.

Obvious damage must be reported immediately.

#### 4.2 Packaging and storage

Do not remove packaging until just before mounting.

#### Permissible conditions at the place of storage:

Storage temperature: -30 ... +70 °C

### 5. Commissioning, operation

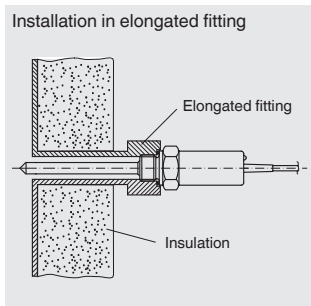
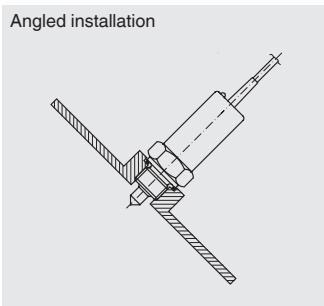
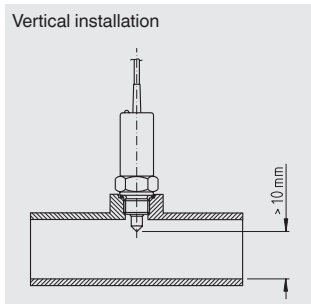
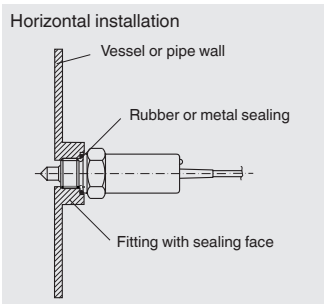
When unpacking the switch, check all components for any external damage. Prior to installation, a functional check can also be carried out. For this, the instrument should be connected temporarily and the glass prism dipped in and out of a glass of liquid to test it.

#### 5.1 Mounting

- Before installation, it must be ensured that the mounting hole and the fixing device for the switches in the vessel are correct in size and dimension.
- Mount the switch, pressure-sealed, into the process connection.
- The glass tip must protrude into the vessel.
- Following installation, the glass tip should have a distance of at least 10 mm to the opposite wall. This minimum clearance can vary dependent upon the geometry and surface finish of the wall.  
Note: With electropolished pipes, the minimum distance to the opposite surface must be 20 mm.

## 5. Commissioning, operation

### Mounting instructions (mounting position as required)



For horizontal installation in a fitting and installation from the bottom, make sure there is a drainage inclination in order to avoid residual liquid in the fitting/pipe and, with that, the resulting faulty detection of the media.

### 5.2 Electrical connection

see product label

The instrument must be grounded via the process connection.

## 6. Faults

### 6. Faults

EN



The following table contains the most frequent causes of faults and the necessary countermeasures.

Faults	Causes	Measures
No function	Failure in power supply	Measure voltage, check cable or plug connection
Despite a change in level, no alteration in the display and no switching of the output	Glass tip dirty	Clean the glass tip (introduce service intervals)
	Glass tip too close to an opposite surface	Increase the distance, change the mounting location
	Glass tip defective	Replace instrument
	Liquid in the fitting cannot run out	Check installation
Instrument responds inversely	Wrong switching function (normally open, normally closed)	Replace instrument / match to control
Instrument obviously does not respond or responds too slowly on a change of level	Switching delay	Use an instrument with suitable switching delay



#### **CAUTION!** **Physical injuries and damage to property and the environment**

If faults cannot be eliminated by means of the listed measures, the instrument must be taken out of operation immediately.

- ▶ Ensure that there is no longer any pressure present and protect against being put into operation accidentally.
- ▶ Contact the manufacturer.
- ▶ If a return is needed, please follow the instructions given in chapter 8.2 "Return".

### 7. Maintenance and cleaning



For contact details, please see chapter 1 “General information” or the back page of the operating instructions.

#### 7.1 Maintenance

When used properly, the optoelectronic level switches work maintenance-free. They must be subjected to visual inspection within the context of regular servicing, however, and included in the vessel pressure test.

Repairs must only be carried out by the manufacturer.

#### 7.2 Cleaning



**CAUTION!**  
**Physical injuries and damage to property and the environment**

Improper cleaning may lead to physical injuries and damage to property and the environment. Residual media in the dismantled instrument can result in a risk to persons, the environment and equipment.

- ▶ Rinse or clean the removed instrument.
- ▶ Sufficient precautionary measures must be taken.

1. Prior to cleaning, properly disconnect the instrument from the process and the power supply.
2. Clean the instrument carefully with a moist cloth.
3. Electrical connections must not come into contact with moisture!



**CAUTION!**  
**Damage to property**

Improper cleaning may lead to damage to the instrument!

- ▶ Do not use any aggressive cleaning agents.
- ▶ Do not use any hard, pointed or abrasive objects for cleaning.

## 8. Dismounting, return and disposal

### 8. Dismounting, return and disposal

EN



#### **WARNING!**

#### **Physical injuries and damage to property and the environment through residual media**

Residual media in the dismantled instrument can result in a risk to persons, the environment and equipment.

- ▶ Wash or clean the dismantled instrument, in order to protect persons and the environment from exposure to residual media.

#### **8.1 Dismounting**

Only disconnect the measuring instrument once the system has been depressurised and the power disconnected! If necessary, the measuring line must have strain relief.

#### **8.2 Return**

Wash or clean the dismantled switch before returning it, in order to protect personnel and the environment from exposure to residual media.



Information on returns can be found under the heading "Service" on our local website.

#### **8.3 Disposal**

Incorrect disposal can put the environment at risk.

Dispose of instrument components and packaging materials in an environmentally compatible way and in accordance with the country-specific waste disposal regulations.



## 9. Specifications

EN

### 9. Specifications

#### General data

<b>Measurement accuracy</b>	±2 mm
<b>Mounting position</b>	as required
<b>Visual indication of the switching status</b>	1 LED Model OLS-C05: Only with trimmer option, internal LED Not available for models OLS-C02, OLS-5200, OLS-F1

#### Design data

<b>Sensitivity</b>	Preset for the detection of aqueous media and oils  Model OLS-C04: Also for the detection of refrigerants
<b>Medium temperature</b>	
Models OLS-C01, OLS-C02	-30 ... +100 °C
Models OLS-C04, OLS-F1	-40 ... +100 °C
Model OLS-C05	-40 ... +170 °C
Model OLS-5200	-40 ... +130 °C
<b>Ambient temperature</b>	
Models OLS-C01, OLS-C02, OLS-F1	-25 ... +70 °C
Model OLS-C04	-30 ... +70 °C
Models OLS-C05, OLS-5200	-30 ... +80 °C
<b>Operating pressure</b>	0 ... 25 bar [0 ... 2.5 MPa]  Model OLS-C04: 0 ... 40 bar [0 ... 4 MPa]

## 9. Specifications

EN

Electrical data	
Power supply	DC 12 ... 32 V
Max. current supply	40 mA
Output	PNP transistor, protected against reverse polarity
Switching function	Normally open (closed in medium) or normally closed (open in medium)
Switching current	200 mA
Ingress protection	IP65 Model OLS-F1 with protection cap: IP69K
Number of switch points	1

For further specifications see WIKA data sheets and order documentation:

- LM 31.31 (OLS-C01)
- LM 31.32 (OLS-C02)
- LM 31.33 (OLS-C05)
- LM 31.34 (OLS-C04)
- LM 31.05 (OLS-F1)
- LM 31.06 (OLS-5200)

# Inhalt

<b>1. Allgemeines</b>	<b>20</b>
<b>2. Aufbau und Funktion</b>	<b>21</b>
<b>3. Sicherheit</b>	<b>24</b>
<b>4. Transport, Verpackung und Lagerung</b>	<b>28</b>
<b>5. Inbetriebnahme, Betrieb</b>	<b>28</b>
<b>6. Störungen</b>	<b>30</b>
<b>7. Wartung und Reinigung</b>	<b>31</b>
<b>8. Demontage, Rücksendung und Entsorgung</b>	<b>32</b>
<b>9. Technische Daten</b>	<b>33</b>

Konformitätserklärungen finden Sie online unter [www.wika.de](http://www.wika.de).

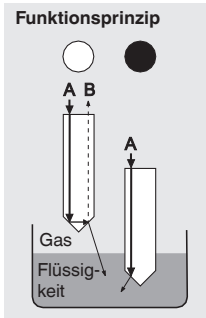
## 1. Allgemeines

- Die in der Betriebsanleitung beschriebenen Füllstandsschalter werden nach dem aktuellen Stand der Technik konstruiert und gefertigt. Alle Komponenten unterliegen während der Fertigung strengen Qualitäts- und Umweltkriterien. Unsere Managementsysteme sind nach ISO 9001 und ISO 14001 zertifiziert.
- Diese Betriebsanleitung gibt wichtige Hinweise zum Umgang mit dem Gerät. Voraussetzung für sicheres Arbeiten ist die Einhaltung aller angegebenen Sicherheitshinweise und Handlungsanweisungen.
- Die für den Einsatzbereich des Gerätes geltenden örtlichen Unfallverhütungsvorschriften und allgemeinen Sicherheitsbestimmungen einhalten.
- Die Betriebsanleitung ist Produktbestandteil und muss in unmittelbarer Nähe des Gerätes für das Fachpersonal jederzeit zugänglich aufbewahrt werden. Betriebsanleitung an nachfolgende Benutzer oder Besitzer des Gerätes weitergeben.
- Das Fachpersonal muss die Betriebsanleitung vor Beginn aller Arbeiten sorgfältig durchgelesen und verstanden haben.
- Es gelten die allgemeinen Geschäftsbedingungen in den Verkaufsunterlagen.
- Technische Änderungen vorbehalten.
- Weitere Informationen:
  - Internet-Adresse: [www.wika.de](http://www.wika.de) / [www.wika.com](http://www.wika.com)
  - Zugehöriges Datenblatt: LM 31.31 (OLS-C01)  
LM 31.32 (OLS-C02)  
LM 31.33 (OLS-C05)  
LM 31.34 (OLS-C04)  
LM 31.05 (OLS-F1)  
LM 31.06 (OLS-5200)
  - Anwendungsberater: Tel.: +49 9372 132-0  
Fax: +49 9372 132-406  
[info@wika.de](mailto:info@wika.de)

### 2. Aufbau und Funktion

#### 2.1 Beschreibung

Dieses Gerät dient zur Grenzstandserfassung von Flüssigkeiten. Das Messprinzip ist unabhängig von Brechzahl, Dichte, Leitfähigkeit und Dielektrizitätskonstante. Die Schalter beinhalten eine Infrarot-LED und einen Fototransistor. Das Licht der LED wird in ein Prisma eingestrahlt. Solange sich die Sensorspitze des Prismas von Gas umgeben ist, wird das Licht innerhalb des Prismas zum Empfänger reflektiert. Wenn die Flüssigkeit die Glasspitze erreicht, wird ein Teil des Lichtes in der Flüssigkeit gebrochen und nur ein Teil davon wird im Prisma reflektiert. Mit dem optionalen Trimmer kann die Empfindlichkeit des LED-Empfängers für verschiedene Flüssigkeiten oder Schaum eingestellt werden.



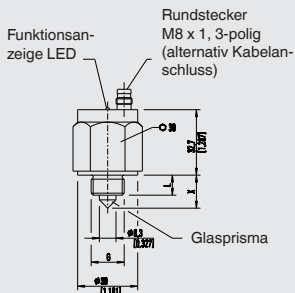
Die optoelektronischen Füllstandsschalter sind geeignet für Flüssigkeiten wie Öle, Wasser, destilliertes Wasser, wässrige Medien und für Schaumdetektion (mit Option Trimmer).

Die integrierte Schaltelektronik sorgt für einen automatischen Abgleich, so dass sich ein breiter Anwendungsbereich ergibt. Als Ausgang steht ein pnp-Transistor-Schaltausgang zur Verfügung.

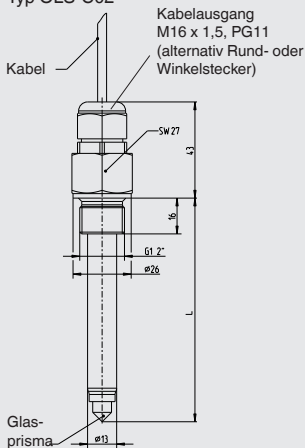
## 2. Aufbau und Funktion

### 2.2 Abmessungen in mm

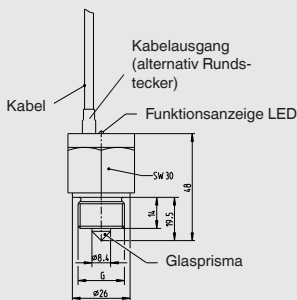
Typ OLS-C01



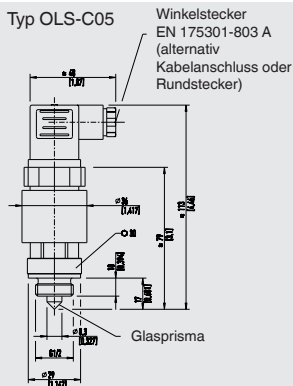
Typ OLS-C02



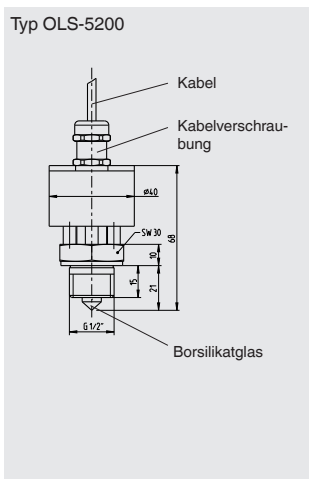
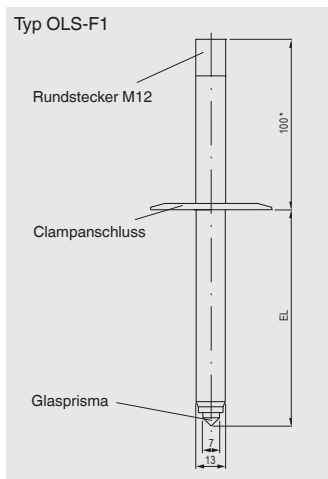
Typ OLS-C04



Typ OLS-C05



## 2. Aufbau und Funktion



DE

### 2.3 Lieferumfang

Lieferumfang mit dem Lieferschein abgleichen.

### 3. Sicherheit

#### 3.1 Symbolerklärung



##### **WARNUNG!**

... weist auf eine möglicherweise gefährliche Situation hin, die zum Tod oder zu schweren Verletzungen führen kann, wenn sie nicht gemieden wird.



##### **VORSICHT!**

... weist auf eine möglicherweise gefährliche Situation hin, die zu geringfügigen oder leichten Verletzungen bzw. Sach- und Umweltschäden führen kann, wenn sie nicht gemieden wird.



##### **Information**

... hebt nützliche Tipps und Empfehlungen sowie Informationen für einen effizienten und störungsfreien Betrieb hervor.

#### 3.2 Bestimmungsgemäße Verwendung

Die optoelektronischen Füllstandsschalter sind ausschließlich zur Füllstandssteuerung bzw. -überwachung von flüssigen Medien zu verwenden. Ihr Einsatzbereich ergibt sich aus den technischen Leistungsgrenzen und Werkstoffen. Als Fehlgebrauch gilt jede Verwendung, die die technischen Leistungsgrenzen überschreitet oder mit den Werkstoffen unverträglich ist. Eine Prüfung auf Fehlgebrauch obliegt dem Betreiber.

- Die Flüssigkeiten dürfen keine starken Verschmutzungen oder Grobteile aufweisen und nicht zum Auskristallisieren neigen. Es ist sicherzustellen, dass die medienberührenden Werkstoffe des Schalters gegen das zu überwachende Medium ausreichend beständig sind. Nicht geeignet für Dispersion, abrasive Flüssigkeiten, hochviskose Medien und Farben.



- Dieses Gerät ist nicht für den Einsatz in explosionsgefährdeten Bereichen zugelassen!  
In explosionsgefährdeten Bereichen die Einsatzbarkeit des eigensicheren Schalters Typ OLS-C51 prüfen.
- Die Empfindlichkeit des Gerätes ist voreingestellt. Für die Typen OLS-C01, OLS-C02, OLS-C04 und OLS-C05 ist optional ein Trimmer zur Einstellung der Empfindlichkeit erhältlich.



Eine Stoßbelastung (Herunterfallen, Anschlagen, u. Ä.) der Glasspitze vermeiden!

Das Gerät ist ausschließlich für den hier beschriebenen bestimmungsgemäßen Verwendungszweck konzipiert und konstruiert und darf nur dementsprechend verwendet werden.

Ansprüche jeglicher Art aufgrund von nicht bestimmungsgemäßer Verwendung sind ausgeschlossen.

### 3.3 Fehlgebrauch



#### **WARNUNG!**

#### **Verletzungen durch Fehlgebrauch**

Fehlgebrauch des Gerätes kann zu gefährlichen Situationen und Verletzungen führen.

- ▶ Eigenmächtige Umbauten am Gerät unterlassen.

Jede über die bestimmungsgemäße Verwendung hinausgehende oder andersartige Benutzung gilt als Fehlgebrauch.

Dieses Gerät nicht in Sicherheits- oder in Not-Aus-Einrichtungen benutzen.

### 3.4 Verantwortung des Betreibers

Das Gerät wird im gewerblichen Bereich eingesetzt. Der Betreiber unterliegt daher den gesetzlichen Pflichten zur Arbeitssicherheit.

Die Sicherheitshinweise dieser Betriebsanleitung, sowie die für den Einsatzbereich des Gerätes gültigen Sicherheits-, Unfallverhütungs- und Umweltschutzvorschriften einhalten.

Für ein sicheres Arbeiten am Gerät muss der Betreiber sicherstellen,

- dass das Bedienpersonal regelmäßig in allen zutreffenden Fragen von Arbeitssicherheit, Erste Hilfe und Umweltschutz unterwiesen wird, sowie die Betriebsanleitung und insbesondere die darin enthaltenen Sicherheitshinweise kennt.
- dass das Gerät gemäß der bestimmungsgemäßen Verwendung für den Anwendungsfall geeignet ist.

### 3.5 Personalqualifikation



#### **WARNUNG!**

#### **Verletzungsgefahr bei unzureichender Qualifikation**

Unsachgemäßer Umgang kann zu erheblichen Personen- und Sachschäden führen.

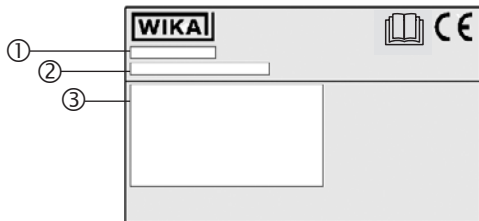
- ▶ Die in dieser Betriebsanleitung beschriebenen Tätigkeiten nur durch Fachpersonal nachfolgend beschriebener Qualifikation durchführen lassen.

#### **Fachpersonal**

Das vom Betreiber autorisierte Fachpersonal ist aufgrund seiner fachlichen Ausbildung, seiner Kenntnisse der Mess- und Regelungstechnik und seiner Erfahrungen sowie Kenntnis der landesspezifischen Vorschriften, geltenden Normen und Richtlinien in der Lage, die beschriebenen Arbeiten auszuführen und mögliche Gefahren selbstständig zu erkennen.

### 3.6 Beschilderung, Sicherheitskennzeichnungen

#### Typenschild (Beispiel)



- ① Typ
- ② P# Erzeugnisnummer  
S# Seriennummer
- ③ Elektrischer Anschluss



Vor Montage und Inbetriebnahme des Gerätes unbedingt die Betriebsanleitung lesen!

### 4. Transport, Verpackung und Lagerung

#### 4.1 Transport

Schalter auf eventuell vorhandene Transportschäden untersuchen.  
Offensichtliche Schäden unverzüglich mitteilen.

#### 4.2 Verpackung und Lagerung

Verpackung erst unmittelbar vor der Montage entfernen.

#### Zulässige Bedingungen am Lagerort:

Lagertemperatur: -30 ... +70 °C

### 5. Inbetriebnahme, Betrieb

Beim Auspacken des Schalters alle Teile auf äußerliche Beschädigungen überprüfen. Vor der Installation kann eine Überprüfung der Funktion vorgenommen werden. Dazu wird das Gerät provisorisch angeschlossen und das Glasprisma zum Test in einem Glas mit Flüssigkeit ein- und ausgetaucht.

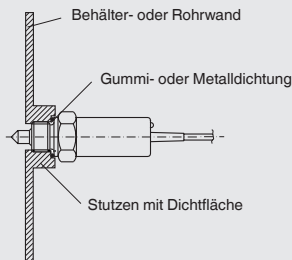
#### 5.1 Montage

- Vor dem Einbau ist sicherzustellen, dass die im Behälter angebrachte Einbauöffnung und die Befestigungsvorrichtung der Schalter in Größe und Dimensionierung übereinstimmen.
- Schalter druckdicht in den Prozessanschluss montieren.
- Die Glasspitze muss in den Behälter hineinragen.
- Die Glasspitze sollte nach erfolgter Montage einen Abstand von mindestens 10 mm zu einer gegenüberliegenden Wandung haben. Dieser Mindestabstand kann je nach Geometrie und Oberflächenbeschaffenheit der Wandung variieren. Achtung: Bei elektropolierten Rohren muss der Mindestabstand zur gegenüberliegenden Fläche 20 mm betragen.

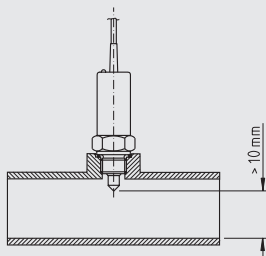
## 5. Inbetriebnahme, Betrieb

### Einbauhinweise (Einbaulage beliebig)

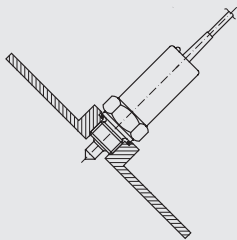
Waagerechter Einbau



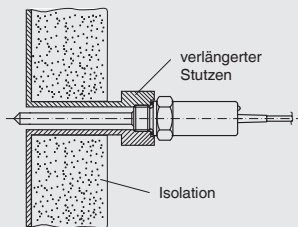
Senkrechter Einbau



Schräger Einbau



Einbau in verlängertem Stutzen



Bei waagrechtem Einbau in einen Stutzen und Einbau von unten auf eine Ablaufschräge achten, um Restflüssigkeit im Stutzen/Rohr und damit einhergehende Fehldetektion des Messtoffes zu vermeiden.

### 5.2 Elektrischer Anschluss

siehe Typenschild

Das Gerät über den Prozessanschluss erden.

## 6. Störungen

### 6. Störungen



In der folgenden Tabelle sind die häufigsten Fehlerursachen und die erforderlichen Gegenmaßnahmen aufgeführt.

Störungen	Ursachen	Maßnahmen
Keinerlei Funktion	Stromversorgung ausgefallen	Spannung messen, Kabel- oder Steckerverbindung nachprüfen
Trotz Füllstandsänderung kein Wechseln der Anzeige und Umschalten des Ausgangs	Glasspitze verschmutzt	Glasspitze reinigen (Wartungsintervalle einführen)
	Glasspitze zu nahe an einer gegenüberliegenden Fläche	Entfernung vergrößern, anderen Einbauort wählen
	Glasspitze defekt	Gerät austauschen
	Flüssigkeit im Stutzen kann nicht ablaufen	Einbau prüfen
Gerät reagiert umgekehrt	Falsche Schaltfunktion (Schließer, Öffner)	Gerät austauschen / Steuerung anpassen
Gerät reagiert offenbar nicht oder zu langsam auf Füllstandsänderung	Schaltverzögerung	Gerät mit geeigneter Schaltverzögerung einsetzen



#### VORSICHT!

#### Körperverletzungen, Sach- und Umweltschäden

Können Störungen mit Hilfe der aufgeführten Maßnahmen nicht beseitigt werden, Gerät unverzüglich außer Betrieb setzen.

- ▶ Sicherstellen, dass kein Druck mehr anliegt und gegen versehentliche Inbetriebnahme schützen.
- ▶ Kontakt mit dem Hersteller aufnehmen.
- ▶ Bei notwendiger Rücksendung die Hinweise unter Kapitel 8.2 „Rücksendung“ beachten.

### 7. Wartung und Reinigung



Kontaktaten siehe Kapitel 1 „Allgemeines“ oder Rückseite der Betriebsanleitung.

#### 7.1 Wartung

Die optoelektronischen Füllstandsschalter arbeiten bei bestimmungsgemäßem Gebrauch wartungsfrei. Sie sind jedoch im Rahmen der regelmäßigen Revision einer Sichtkontrolle zu unterziehen und in die Druckprüfung des Behälters mit einzubeziehen.

Reparaturen sind ausschließlich vom Hersteller durchzuführen.

#### 7.2 Reinigung



##### **VORSICHT!**

##### **Körperverletzungen, Sach- und Umweltschäden**

Eine unsachgemäße Reinigung führt zu Körperverletzungen, Sach- und Umweltschäden. Messstoffreste im ausgebauten Gerät können zur Gefährdung von Personen, Umwelt und Einrichtung führen.

- ▶ Ausgebautes Gerät spülen bzw. säubern.
- ▶ Ausreichende Vorsichtsmaßnahmen sind zu ergreifen.

1. Vor der Reinigung das Gerät ordnungsgemäß vom Prozess und der Stromversorgung trennen.
2. Das Gerät vorsichtig mit einem feuchten Tuch reinigen.
3. Elektrische Anschlüsse nicht mit Feuchtigkeit in Berührung bringen!



##### **VORSICHT!**

##### **Sachbeschädigung**

Eine unsachgemäße Reinigung führt zur Beschädigung des Gerätes!

- ▶ Keine aggressiven Reinigungsmittel verwenden.
- ▶ Keine harten, spitzen oder abrasive Gegenstände zur Reinigung verwenden.

### 8. Demontage, Rücksendung und Entsorgung



#### **WARNUNG!**

#### **Körperverletzungen, Sach- und Umweltschäden durch Messstoffreste**

Messstoffreste im ausgebauten Gerät können zur Gefährdung von Personen, Umwelt und Einrichtung führen.

- ▶ Ausgebautes Gerät spülen bzw. säubern, um Personen und Umwelt vor Gefährdung durch anhaftende Messstoffreste zu schützen.

DE

#### **8.1 Demontage**

Messgerät nur im drucklosen und spannungsfreiem Zustand demontieren! Gegebenenfalls muss die Messleitung entspannt werden.

#### **8.2 Rücksendung**

Ausgebauten Schalter vor der Rücksendung spülen bzw. säubern, um Mitarbeiter und Umwelt vor Gefährdung durch anhaftende Messstoffreste zu schützen.



Hinweise zur Rücksendung befinden sich in der Rubrik „Service“ auf unserer lokalen Internetseite.

#### **8.3 Entsorgung**

Durch falsche Entsorgung können Gefahren für die Umwelt entstehen. Gerätekomponenten und Verpackungsmaterialien entsprechend den landesspezifischen Abfallbehandlungs- und Entsorgungsvorschriften umweltgerecht entsorgen.



## 9. Technische Daten

### 9. Technische Daten

#### Allgemeine Daten

<b>Messgenauigkeit</b>	±2 mm
<b>Einbaulage</b>	beliebig
<b>Optische Anzeige des Schaltzustands</b>	1 LED Typ OLS-C05: Nur bei Option Trimmer, interne LED Nicht verfügbar für Typen OLS-C02, OLS-5200, OLS-F1

DE

#### Auslegungsdaten

<b>Empfindlichkeit</b>	Voreingestellt für die Detektion von wässrigen Medien und Ölen  Typ OLS-C04: Auch für die Detektion von Kältemitteln
<b>Messstofftemperatur</b>	
Typen OLS-C01, OLS-C02	-30 ... +100 °C
Typen OLS-C04, OLS-F1	-40 ... +100 °C
Typ OLS-C05	-40 ... +170 °C
Typ OLS-5200	-40 ... +130 °C
<b>Umgebungstemperatur</b>	
Typen OLS-C01, OLS-C02, OLS-F1	-25 ... +70 °C
Typ OLS-C04	-30 ... +70 °C
Typen OLS-C05, OLS-5200	-30 ... +80 °C
<b>Betriebsdruck</b>	0 ... 25 bar [0 ... 2,5 MPa]  Typ OLS-C04: 0 ... 40 bar [0 ... 4 MPa]

## 9. Technische Daten

### Elektrische Daten

<b>Hilfsenergie</b>	DC 12 ... 32 V
<b>Max. Stromaufnahme</b>	40 mA
<b>Ausgang</b>	PNP-Transistor, verpolsicher
<b>Schaltfunktion</b>	Schließer (im Messstoff geschlossen) oder Öffner (im Messstoff geöffnet)
<b>Schaltstrom</b>	200 mA
<b>Schutzart</b>	IP65 Typ OLS-F1 mit Schutzkappe: IP69K
<b>Anzahl der Schaltpunkte</b>	1

Weitere technische Daten siehe WIKA-Datenblätter und Bestellunterlagen.

LM 31.31 (OLS-C01)

LM 31.32 (OLS-C02)

LM 31.33 (OLS-C05)

LM 31.34 (OLS-C04)

LM 31.05 (OLS-F1)

LM 31.06 (OLS-5200)

# Sommaire

<b>1. Généralités</b>	<b>36</b>
<b>2. Conception et fonction</b>	<b>37</b>
<b>3. Sécurité</b>	<b>40</b>
<b>4. Transport, emballage et stockage</b>	<b>44</b>
<b>5. Mise en service, utilisation</b>	<b>44</b>
<b>6. Dysfonctionnements</b>	<b>46</b>
<b>7. Entretien et nettoyage</b>	<b>47</b>
<b>8. Démontage, retour et mise au rebut</b>	<b>48</b>
<b>9. Spécifications</b>	<b>49</b>

Déclarations de conformité disponibles sur [www.wika.fr](http://www.wika.fr).

## 1. Généralités

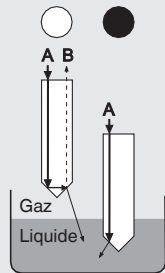
- Les commutateurs de niveau décrits dans le mode d'emploi sont conçus et fabriqués selon les dernières technologies en vigueur. Tous les composants sont soumis à des exigences environnementales et de qualité strictes durant la fabrication. Nos systèmes de gestion sont certifiés selon ISO 9001 et ISO 14001.
- Ce mode d'emploi donne des indications importantes concernant l'utilisation de l'instrument. Il est possible de travailler en toute sécurité avec ce produit en respectant toutes les consignes de sécurité et d'utilisation.
- Respecter les prescriptions locales de prévention contre les accidents et les prescriptions générales de sécurité en vigueur pour le domaine d'application de l'instrument.
- Le mode d'emploi fait partie de l'instrument et doit être conservé à proximité immédiate de l'instrument et accessible à tout moment pour le personnel qualifié. Transmettre le mode d'emploi à l'utilisateur ou propriétaire ultérieur de l'instrument.
- Le personnel qualifié doit, avant de commencer toute opération, avoir lu soigneusement et compris le mode d'emploi.
- Les conditions générales de vente mentionnées dans les documents de vente s'appliquent.
- Sous réserve de modifications techniques.
- Pour obtenir d'autres informations :
  - Consulter notre site Internet : [www.wika.fr](http://www.wika.fr)
  - Fiche technique correspondante : LM 31.31 (OLS-C01)  
LM 31.32 (OLS-C02)  
LM 31.33 (OLS-C05)  
LM 31.34 (OLS-C04)  
LM 31.05 (OLS-F1)  
LM 31.06 (OLS-5200)
  - Conseiller applications : Tel. : 0 820 95 10 10 (0,15 €/min)  
Fax : 0 891 035 891 (0,35 €/min)  
[info@wika.fr](mailto:info@wika.fr)

### 2. Conception et fonction

#### 2.1 Description

Cet instrument est utilisé pour la détection de seuils de niveau dans des liquides. Le principe de mesure est indépendant de l'indice de réfraction, de la densité, de la conductivité et de la constante diélectrique. Ces commutateurs utilisent une LED infrarouge et un photo-transistor. La lumière de la LED est dirigée dans un prisme. Lorsque le liquide atteint la pointe en verre, une partie de la lumière est réfractée dans le liquide et seule une partie de la lumière est réfléchie dans le prisme. Le trimmer disponible en option permet de régler la sensibilité du récepteur LED pour différents liquides ou les mousses.

#### Principe de fonctionnement



FR

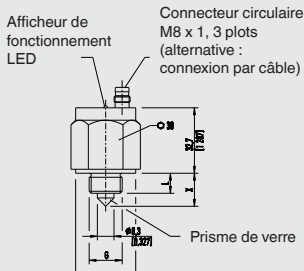
Les commutateurs de niveau opto-électroniques conviennent pour des liquides tels que les huiles, l'eau, l'eau distillée, les fluides aqueux et pour la détection de mousse (avec l'option "trimmer").

L'électronique intégrée s'étalonne automatiquement sur le produit, ce qui permet une vaste gamme d'applications. Pour la sortie, il y a une sortie transistor type pnp.

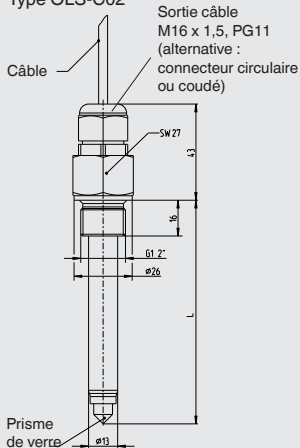
## 2. Conception et fonction

### 2.2 Dimensions en mm

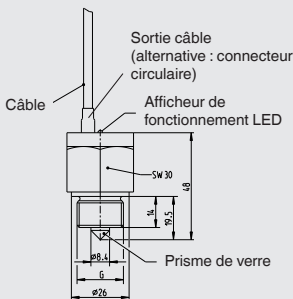
#### Type OLS-C01



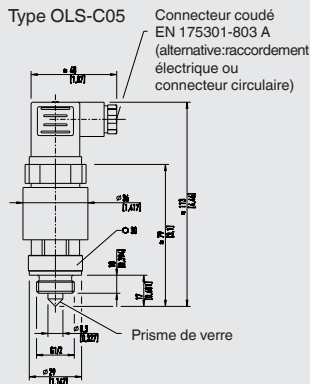
#### Type OLS-C02



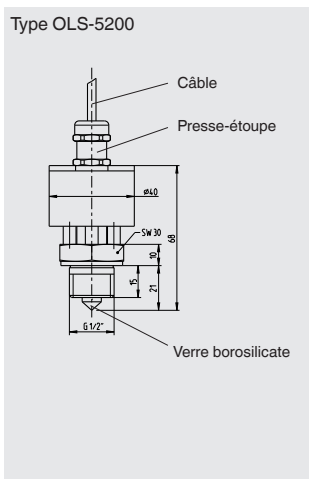
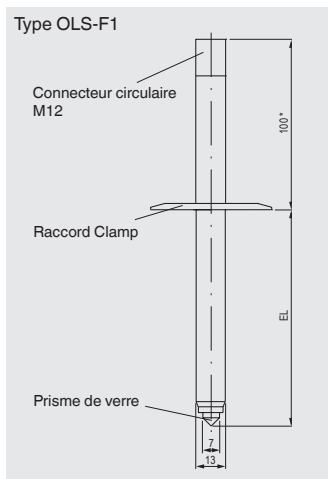
#### Type OLS-C04



#### Type OLS-C05



## 2. Conception et fonction



FR

### 2.3 Détail de la livraison

Comparer le détail de la livraison avec le bordereau de livraison.

### 3. Sécurité

#### 3.1 Explication des symboles



##### **AVERTISSEMENT !**

... indique une situation présentant des risques susceptibles de provoquer la mort ou des blessures graves si elle n'est pas évitée.



##### **ATTENTION !**

... indique une situation potentiellement dangereuse et susceptible de provoquer de légères blessures ou des dommages pour le matériel et pour l'environnement si elle n'est pas évitée.



##### **Information**

... met en exergue les conseils et recommandations utiles de même que les informations permettant d'assurer un fonctionnement efficace et normal.

#### 3.2 Utilisation conforme à l'usage prévu

Les commutateurs de niveau opto-électroniques ne doivent être utilisés que pour contrôler les niveaux de liquides. Leur domaine d'application est défini par leur limites techniques de performance et matériaux. On définit un usage impropre comme étant toute application qui excède les limites techniques de performance ou étant incompatible avec les matériaux. La vérification de l'usage conforme incombe à l'opérateur.

- Les liquides doivent être exempts de toute contamination importante ou de particules en suspension grossières et ne doivent pas avoir tendance à cristalliser. Assurez-vous que les matériaux en contact avec le fluide contrôlé soient résistants chimiquement. Ne convient pas aux milieux dispersés, liquides abrasifs, fluides hautement visqueux et couleurs.



## 3. Sécurité

- Cet instrument n'est pas certifié pour être utilisé en zones explosives !  
En zone explosive, vérifier si le contact en sécurité intrinsèque type OLS-C51 peut être utilisé.
- La sensibilité de l'instrument est pré-réglée. Pour les types OLS-C01, OLS-C02, OLS-C04 et OLS-C05, un trimmer pour le réglage de la sensibilité est disponible en option.



Eviter tout choc (gouttes, impacts, etc.) sur l'extrémité en verre !

Ces instruments sont conçus et construits exclusivement pour une utilisation conforme à l'usage prévu décrit ici, et ne doivent être utilisés qu'à cet effet.

Aucune réclamation ne peut être recevable en cas d'utilisation non conforme à l'usage prévu.

### 3.3 Utilisation inappropriée



#### **AVERTISSEMENT !**

#### **Blessures causées par une utilisation inappropriée**

Une utilisation inappropriée peut conduire à des situations dangereuses et à des blessures.

- ▶ S'abstenir de modifications non autorisées sur l'instrument

Toute utilisation différente ou au-delà de l'utilisation prévue est considérée comme inappropriée.

Ne pas utiliser cet instrument dans des dispositifs de sécurité ou d'arrêt d'urgence.

### 3.4 Responsabilité de l'opérateur

L'instrument est prévu pour un usage dans le domaine industriel.

L'opérateur est de ce fait responsable des obligations légales en matière de sécurité du travail.

Les instructions de sécurité de ce mode d'emploi comme les réglementations liées à la sécurité, à la prévention des accidents et à la protection de l'environnement pour le domaine d'application doivent être respectées.

FR

Afin de travailler en toute sécurité sur l'instrument, la société exploitante doit s'assurer

- que le personnel de service soit formé à intervalles réguliers sur tous les sujets concernant la sécurité du travail, les premiers secours et la protection de l'environnement et qu'il connaît le mode d'emploi et particulièrement les consignes de sécurité contenues dans celui-ci.
- que l'instrument est adapté à l'application en respect de l'usage prévu de l'instrument.

### 3.5 Qualification du personnel



#### **AVERTISSEMENT !**

#### **Danger de blessure en cas de qualification insuffisante**

Une utilisation non conforme peut entraîner d'importants dommages corporels et matériels.

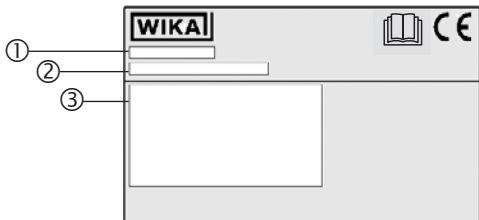
- Les opérations décrites dans ce mode d'emploi ne doivent être effectuées que par un personnel ayant la qualification décrite ci-après.

#### **Personnel qualifié**

Le personnel qualifié, autorisé par l'opérateur, est, en raison de sa formation spécialisée, de ses connaissances dans le domaine de l'instrumentation de mesure et de régulation et de son expérience, de même que de sa connaissance des réglementations nationales et des normes en vigueur, en mesure d'effectuer les travaux décrits et d'identifier de façon autonome les dangers potentiels.

### 3.6 Etiquetage, marquages de sécurité

#### Plaque signalétique (exemple)



FR

- ① Type
- ② P# numéro produit  
S# numéro de série
- ③ Raccordement électrique



Lire impérativement le mode d'emploi avant le montage et la mise en service de l'instrument !

### 4. Transport, emballage et stockage

#### 4.1 Transport

Vérifier si le détecteur a été endommagé pendant le transport.  
Communiquer immédiatement les dégâts constatés.

#### 4.2 Emballage et stockage

N'enlever l'emballage qu'avant le montage.

#### Conditions admissibles sur le lieu de stockage :

Température de stockage : -30 ... +70 °C

FR

### 5. Mise en service, utilisation

Lors du déballage du commutateur, vérifier si les composants ne présentent aucune détérioration externe visible. Avant l'installation, une vérification fonctionnelle peut aussi être effectuée. Pour ce faire, connecter provisoirement l'instrument et, pour le tester, plonger le prisme de verre dans un volume d'eau.

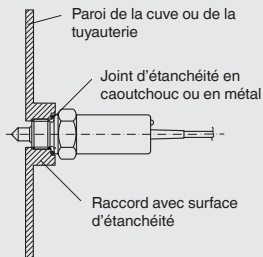
#### 5.1 Installation

- Avant l'installation, il faut s'assurer que l'orifice de montage et le dispositif de fixation des détecteurs dans la cuve aient les bonnes dimensions.
- Installer le commutateur, fermé sous pression, dans le raccord process.
- L'extrémité en verre ne doit pas dépasser dans la cuve.
- Après l'installation, l'extrémité en verre doit avoir une distance d'au moins 10 mm par rapport à la paroi opposée. Cette distance minimale peut varier en fonction de la géométrie et la qualité de surface de la paroi. Remarque : Dans une tuyauterie électropolie, la distance minimale par rapport à la surface opposée doit être au minimum de 20 mm.

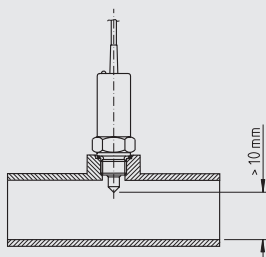
## 5. Mise en service, utilisation

### Instructions d'installation (position d'installation comme requise)

Montage horizontal

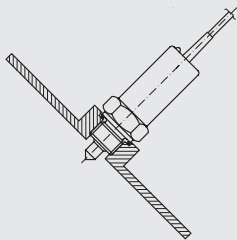


Montage vertical

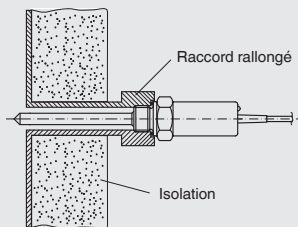


FR

Installation coudée



Montage dans un raccord rallongé



Dans le cas d'une installation horizontale dans un raccord et une installation depuis le fond, assurez-vous qu'il y a bien une pente de drainage pour éviter d'avoir des restes de liquide dans le raccord ou la tuyauterie, ce qui entraînerait une détection du fluide.

### 5.2 Raccordement électrique

voir plaque signalétique

L'instrument doit être mis à la terre par le raccord process.

## 6. Dysfonctionnements

### 6. Dysfonctionnements



Le tableau suivant contient les causes de dysfonctionnements les plus fréquentes et les contre-mesures nécessaires.

Dysfonctionnements	Raisons	Mesures
<b>Pas de fonction</b>	Défaillance dans l'alimentation électrique	Mesurer la tension, vérifier le câble ou le connecteur
<b>Malgré un changement de niveau, aucune modification de l'affichage et aucune commutation de la sortie</b>	Extrémité en verre sale	Nettoyer l'extrémité en verre (introduire des intervalles de service)
	Extrémité en verre trop proche d'une surface située à l'opposé	Augmenter la distance, changer le lieu d'installation
	Extrémité en verre défectueuse	Remplacer l'instrument
	Le liquide dans le raccord ne peut pas s'écouler	Vérifier l'installation
<b>L'instrument réagit de manière inverse</b>	Fonction de commutation incorrecte (normalement ouvert, normalement fermé)	Remplacer l'instrument / adapter la commande
<b>L'instrument apparemment ne répond pas ou répond trop lentement à un changement de niveau</b>	Délai de commutation	Utiliser un instrument avec un délai de commutation convenable



#### **ATTENTION !**

#### **Blessures physiques, dommages aux équipements et à l'environnement**

Si les défauts ne peuvent pas être éliminés au moyen des mesures listées, l'instrument doit être mis hors service immédiatement.

- ▶ Assurez-vous qu'il n'y a plus aucune pression présente et empêchez toute remise en marche accidentelle.
- ▶ Contacter le fabricant.
- ▶ S'il est nécessaire de retourner l'instrument au fabricant, respecter les indications mentionnées au chapitre 8.2 "Retour".

### 7. Entretien et nettoyage



Pour le détail des contacts, merci de voir le chapitre 1 “Généralités” ou au dos du mode d'emploi.

#### 7.1 Entretien

Les commutateurs de niveau opto-électroniques fonctionnent sans entretien lorsqu'ils sont utilisés correctement. Ils doivent pourtant être soumis à une inspection visuelle dans le cadre d'un entretien régulier et être inclus dans le test de pression de cuve.

Les réparations ne doivent être effectuées que par le fabricant.

#### 7.2 Nettoyage



##### **ATTENTION !**

##### **Blessures physiques, dommages aux équipements et à l'environnement**

Un nettoyage inapproprié peut conduire à des blessures physiques et à des dommages aux équipements ou à l'environnement. Les restes de fluides se trouvant dans les instruments démontés peuvent mettre en danger les personnes, l'environnement ainsi que l'installation.

- ▶ Rincer ou nettoyer avec des moyens appropriés l'instrument qui a été démonté.
- ▶ Des mesures de sécurité suffisantes doivent être prises.

1. Avant le nettoyage, débrancher correctement l'instrument du processus et de l'alimentation.
2. Nettoyer l'instrument soigneusement avec un chiffon humide.
3. Eviter tout contact des raccords électriques avec l'humidité !



##### **ATTENTION !**

##### **Dommages aux équipements**

Un nettoyage inapproprié peut endommager l'instrument !

- ▶ Ne pas utiliser de détergents agressifs.
- ▶ Ne pas utiliser d'objets durs, pointus ou abrasifs pour le nettoyage.

### 8. Démontage, retour et mise au rebut



#### **AVERTISSEMENT !**

#### **Blessures physiques et dommages aux équipements et à l'environnement liés aux résidus de fluides**

Les restes de fluides se trouvant dans les instruments démontés peuvent mettre en danger les personnes, l'environnement ainsi que l'installation.

- ▶ Laver et décontaminer l'instrument démonté afin de protéger les personnes et l'environnement contre le danger lié aux résidus de fluides.

FR

#### **8.1 Démontage**

Déconnecter l'instrument de mesure seulement si le système a été mis hors pression et l'alimentation électrique a été coupée ! Si nécessaire, la conduite ou la cuve doit avoir un dispositif de détente.

#### **8.2 Retour**

Laver ou nettoyer le détecteur démonté avant de le renvoyer, afin de protéger le personnel et l'environnement contre le danger lié aux résidus de fluides adhérents.



Des informations relatives à la procédure de retour sont disponibles sur notre site Internet à la rubrique "Services".

#### **8.3 Mise au rebut**

Une mise au rebut inadéquate peut entraîner des dangers pour l'environnement.

Éliminer les composants des instruments et les matériaux d'emballage conformément aux prescriptions nationales pour le traitement et l'élimination des déchets et aux lois de protection de l'environnement en vigueur.



## 9. Spécifications

### 9. Spécifications

#### Général

<b>Précision de mesure</b>	±2 mm
<b>Position de montage</b>	quelconque
<b>Affichage visuel de l'état de commutation</b>	1 LED Type OLS-C05 : seulement avec option "Trimmer", LED interne Non disponible pour les types OLS-C02, OLS-5200, OLS-F1

FR

#### Caractéristiques

<b>Sensibilité</b>	Préréglé pour la détection de fluides aqueux et d'huiles  Type OLS-C04 : aussi pour la détection de réfrigérants
<b>Température du fluide</b>	
Types OLS-C01, OLS-C02	-30 ... +100 °C
Types OLS-C04, OLS-F1	-40 ... +100 °C
Type OLS-C05	-40 ... +170 °C
Type OLS-5200	-40 ... +130 °C
<b>Température ambiante</b>	
Types OLS-C01, OLS-C02, OLS-F1	-25 ... +70 °C
Type OLS-C04	-30 ... +70 °C
Types OLS-C05, OLS-5200	-30 ... +80 °C
<b>Pression de service</b>	0 ... 25 bar [0 ... 2,5 MPa]  Type OLS-C04 : 0 ... 40 bar [0 ... 4 MPa]

## 9. Spécifications

### Données électriques

<b>Alimentation</b>	12 ... 32 VDC
<b>Courant d'alimentation maximal</b>	40 mA
<b>Sortie</b>	Transistor PNP, protégé contre l'inversion de polarité
<b>Fonction de commutation</b>	Normalement ouvert (fermé dans le fluide) ou normalement fermé (ouvert dans le fluide)
<b>Courant de commutation</b>	200 mA
<b>Indice de protection</b>	IP65  Type OLS-F1 avec bouchon de protection cap : IP69K
<b>Nombre de points de seuil</b>	1

Pour de plus amples spécifications voir les fiches techniques WIKA et documentation de commande.

LM 31.31 (OLS-C01)

LM 31.32 (OLS-C02)

LM 31.33 (OLS-C05)

LM 31.34 (OLS-C04)

LM 31.05 (OLS-F1)

LM 31.06 (OLS-5200)

# Contenido

<b>1. Información general</b>	<b>52</b>
<b>2. Diseño y función</b>	<b>53</b>
<b>3. Seguridad</b>	<b>56</b>
<b>4. Transporte, embalaje y almacenamiento</b>	<b>60</b>
<b>5. Puesta en servicio, funcionamiento</b>	<b>60</b>
<b>6. Errores</b>	<b>62</b>
<b>7. Mantenimiento y limpieza</b>	<b>63</b>
<b>8. Desmontaje, devolución y eliminación de residuos</b>	<b>64</b>
<b>9. Datos técnicos</b>	<b>65</b>

**ES**

Declaraciones de conformidad puede encontrar en [www.wika.es](http://www.wika.es).

# 1. Información general

## 1. Información general

- Los interruptores de nivel optoelectrónicos descritos en el manual de instrucciones están diseñados y fabricados conforme al estado actual de la técnica. Todos los componentes están sujetos a rigurosos criterios de calidad y medio ambiente durante la producción. Nuestros sistemas de gestión están certificados según ISO 9001 e ISO 14001.
- Este manual de instrucciones proporciona indicaciones importantes acerca del manejo del instrumento. Para un trabajo seguro, es imprescindible cumplir con todas las instrucciones de seguridad y manejo indicadas.
- Cumplir siempre las normativas sobre la prevención de accidentes y las normas de seguridad en vigor en el lugar de utilización del instrumento.
- El manual de instrucciones es una parte integrante del instrumento y debe guardarse en la proximidad del mismo para que el personal especializado pueda consultarlo en cualquier momento. Entregar el manual de instrucciones al usuario o propietario siguiente del instrumento.
- El personal especializado debe haber leído y entendido el manual de instrucciones antes de comenzar cualquier trabajo.
- Se aplican las condiciones generales de venta incluidas en la documentación de venta.
- Modificaciones técnicas reservadas.
- Para obtener más informaciones consultar:
  - Página web: [www.wika.es](http://www.wika.es)
  - Hoja técnica correspondiente: LM 31.31 (OLS-C01)  
LM 31.32 (OLS-C02)  
LM 31.33 (OLS-C05)  
LM 31.34 (OLS-C04)  
LM 31.05 (OLS-F1)  
LM 31.06 (OLS-5200)
  - Servicio técnico: Tel.: +34 933 938 630  
Fax: +34 933 938 666  
[info@wika.es](mailto:info@wika.es)

ES

14235426.02.02/2020 EN/DE/FR/ES

## 2. Diseño y función

### 2. Diseño y función

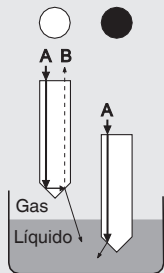
#### 2.1 Descripción

Este instrumento sirve para la detección de nivel de líquidos. El principio de medición es independiente del índice de refracción, de la masa específica, de la conductividad y de la constante dieléctrica. El interruptor dispone de un LED infrarrojo y un fototransistor. La luz del LED está orientada hacia un prisma. Cuando el líquido llega a la punta del vidrio, parte de la luz es refractada en el líquido y sólo una parte de ella se refleja en el prisma. Con el recortador opcional se puede ajustar la sensibilidad del receptor LED para diferentes líquidos o espuma.

El interruptor de nivel optoelectrónico es adecuado para líquidos como aceites, agua, agua destilada, medios acuosos y para la detección de espuma (con opción condensador de ajuste).

El sistema electrónico de conmutación integrado proporciona un ajuste automático aumentando de esa manera el campo de aplicación. Una salida de conmutación del transistor pnp está disponible como salida.

#### Principio de funcionamiento

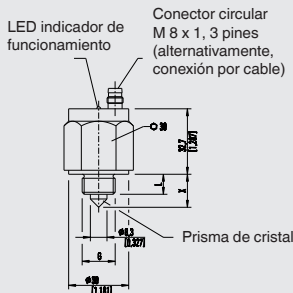


ES

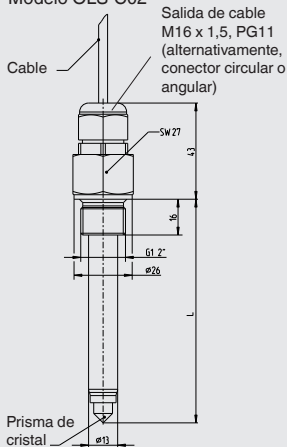
## 2. Diseño y funcionamiento

### 2.2 Dimensiones en mm

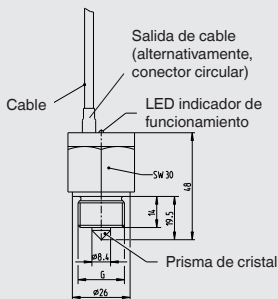
Modelo OLS-C01



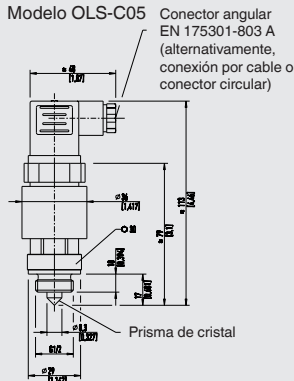
Modelo OLS-C02



Modelo OLS-C04

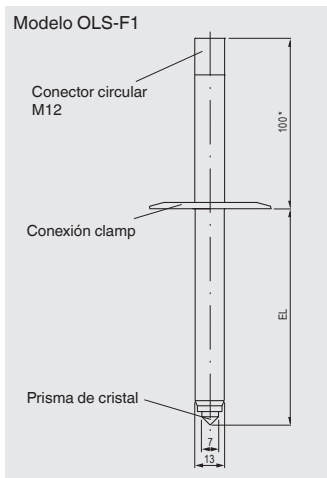


Modelo OLS-C05

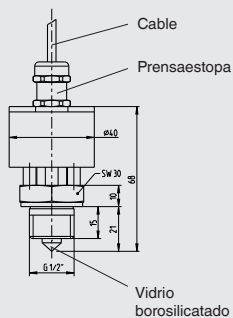


ES

## 2. Diseño y funcionamiento



Modelo OLS-5200



### 2.3 Volumen de suministro

Comparar mediante el albarán si se han entregado todas las piezas.

## 3. Seguridad

### 3. Seguridad

#### 3.1 Explicación de símbolos



##### **¡ADVERTENCIA!**

... indica una situación probablemente peligrosa que puede causar la muerte o lesiones graves si no se la evita.



##### **¡CUIDADO!**

... indica una situación probablemente peligrosa que puede causar lesiones leves o medianas, o daños materiales y medioambientales, si no se la evita.



##### **Información**

... destaca consejos y recomendaciones útiles así como informaciones para una utilización eficiente y libre de errores.

#### 3.2 Uso conforme a lo previsto

Los interruptores de nivel optoelectrónicos deben utilizarse exclusivamente para control o monitorización del nivel de llenado de medios líquidos. Su campo de aplicación resulta de sus límites técnicos y materiales. Se define como mal uso cualquier utilización que supere los límites técnicos o sea incompatible con los materiales. La comprobación del mal uso es responsabilidad de la empresa operadora.

- Lo líquidos no deben contener suciedad excesiva ni partículas gruesas, y tampoco deben ser propensos a cristalización. Debe asegurarse que los materiales del interruptor en contacto con el medio a monitorizar tengan la suficiente resistencia a éste. No adecuado para dispersión, líquidos abrasivos, medios de alta viscosidad y colores.



## 3. Seguridad

- ¡Este dispositivo no está homologado para aplicaciones en zonas potencialmente explosivas!  
En caso de zonas potencialmente explosivas, comprobar la idoneidad del interruptor de seguridad intrínseca modelo OLS-C51.
- La sensibilidad de los instrumentos está preajustada. Para los modelos OLS-C01, OLS-C02, OLS-C04 y OLS-C05 se dispone opcionalmente de un recortador para la sensibilidad.



¡Evitar impactos (caída, golpe, o similares) en la punta de cristal!

El instrumento ha sido diseñado y construido únicamente para la finalidad aquí descrita y debe utilizarse en conformidad a la misma.

No se admite ninguna reclamación debido a una utilización no conforme a lo previsto.

### 3.3 Uso incorrecto



**¡ADVERTENCIA!**  
**Lesiones por uso incorrecto**

El uso incorrecto del dispositivo puede causar lesiones graves o la muerte.

- ▶ Abstenerse realizar modificaciones no autorizadas del dispositivo.

Cualquier uso que no sea el previsto para este dispositivo es considerado como uso incorrecto.

No utilizar este instrumento en sistemas de seguridad o dispositivos de parada de emergencia.

## 3. Seguridad

### 3.4 Responsabilidad del usuario

El dispositivo se utiliza en el sector industrial. Por lo tanto, el usuario está sujeto a las responsabilidades legales para la seguridad en el trabajo.

Se debe cumplir las notas de seguridad en este manual de instrucciones, así como la validez de las normas de seguridad de la unidad, de prevención de accidentes y protección del medio ambiente.

Para realizar un trabajo seguro en el instrumento el propietario ha de asegurarse de que,

- los operadores reciban periódicamente instrucciones, sobre todos los temas referidos a seguridad de trabajo, primeros auxilios y protección del medio ambiente, y conozcan además el manual de instrucciones y en particular las instrucciones de seguridad del mismo.
- el instrumento sea adecuado de acuerdo con el uso previsto para la aplicación.

ES

### 3.5 Cualificación del personal



#### **¡ADVERTENCIA!**

#### **Riesgo de lesiones debido a una insuficiente cualificación**

Un manejo no adecuado puede causar considerables daños personales y materiales.

- ▶ Las actividades descritas en este manual de instrucciones deben realizarse únicamente por personal especializado con la consiguiente cualificación.

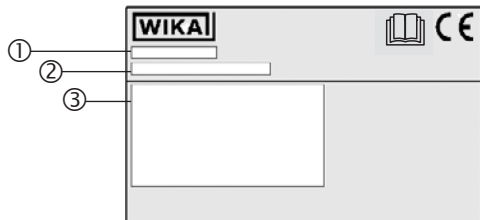
#### **Personal especializado**

Debido a su formación profesional, a sus conocimientos de la técnica de regulación y medición así como a su experiencia y su conocimiento de las normativas, normas y directivas vigentes en el país de utilización, el personal especializado autorizado por el usuario es capaz de ejecutar los trabajos descritos y reconocer posibles peligros por sí solo.

## 3. Seguridad

### 3.6 Rótulos, marcajes de seguridad

#### Placa de identificación (ejemplo)



ES

- ① Modelo
- ② P# Número de producto  
S# Número de serie
- ③ Conexión eléctrica



¡Es absolutamente necesario leer el manual de instrucciones antes del montaje y la puesta en servicio del instrumento!

### 4. Transporte, embalaje y almacenamiento

#### 4.1 Transporte

Comprobar si el interruptor presenta eventuales daños causados en el transporte.

Notificar daños obvios de forma inmediata.

#### 4.2 Embalaje y almacenamiento

No quitar el embalaje hasta justo antes del montaje.

#### Condiciones admisibles en el lugar de almacenamiento:

Temperatura de almacenamiento: -30 ... +70 °C

ES

### 5. Puesta en servicio, funcionamiento

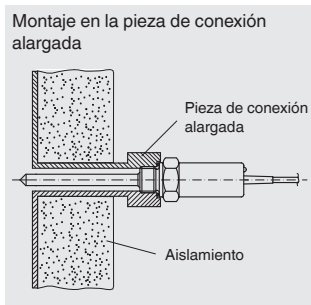
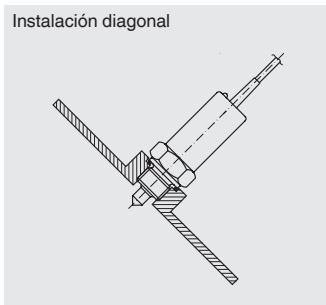
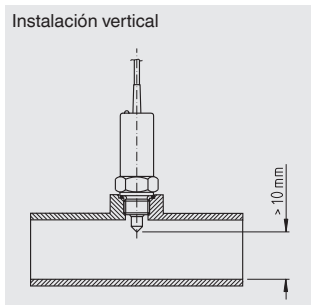
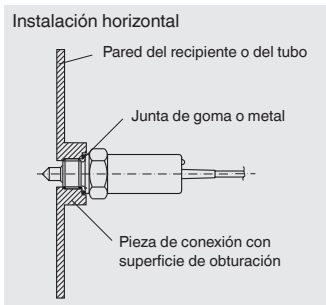
Durante el desembalaje del interruptor, controlar si las piezas presentan daños exteriores. Antes de instalar puede controlarse el funcionamiento. Para eso, conectar el instrumento de modo provisional y sumergir y emerger el prisma de cristal en un vaso con líquido para controlarlo.

#### 5.1 Montaje

- Antes del montaje debe asegurarse de que la abertura de montaje efectuada en el depósito y el dispositivo de fijación del interruptor coincidan en tamaño y dimensionamiento.
- Montar el interruptor de forma hermética en la conexión.
- La punta de cristal debe sobresalir en el interior del depósito.
- La punta de cristal debería tener una distancia mínima de 10 mm a una pared opuesta después del montaje. Esta distancia mínima puede variar dependiendo de la geometría y superficie de la pared. Atención: En tubos electrolulidos, la distancia mínima a la superficie opuesta debe ser de 20 mm.

## 5. Puesta en servicio, funcionamiento

### Instrucciones de instalación (cualquier posición de montaje)



En caso de montaje horizontal en una pieza de conexión y montaje desde abajo, prestar atención a que haya un chaflán de desagüe para evitar la acumulación de líquido residual en la pieza de conexión/el tubo y, en consecuencia, una detección errónea del medio.

### 5.2 Conexión eléctrica

véase placa de identificación

Poner a tierra el instrumento a través de la conexión.

## 6. Errores

### 6. Errores



La tabla siguiente contiene las causas más frecuentes de fallos y las medidas de subsanación que se requieren.

Errores	Causas	Medidas
Ninguna función	Alimentación de corriente interrumpida	Medir la tensión, revisar el cable o el enchufe de conexión
A pesar de la variación del nivel la pantalla no cambia y la salida no conmuta	Punta de cristal sucia	Limpiar la punta de cristal (introducir los intervalos de mantenimiento)
	La punta de cristal se encuentra demasiado cerca de una superficie opuesta	Aumentar la distancia, buscar otro lugar de montaje
	Punta de cristal defectuosa	Sustituir el instrumento
	El líquido en la pieza de conexión no puede salir.	Comprobar la instalación
Instrumento reacciona de manera contraria	Función de conmutación errónea (cierre, abertura)	Sustituir el instrumento / adaptar el control
El instrumento no reacciona o de forma muy lenta a cambios de nivel	Retardo de conmutación	Utilizar un instrumento con un retardo de conmutación adecuado



#### ¡CUIDADO!

#### Lesiones corporales, daños materiales y del medio ambiente

Si no se pueden solucionar los defectos mencionados se debe poner el dispositivo inmediatamente fuera de servicio.

- ▶ Asegurar que el instrumento ya no esté sometido a presión y protegerlo contra una puesta en marcha accidental.
- ▶ Contactar con el fabricante.
- ▶ Si desea devolver el instrumento, observar las indicaciones en el capítulo 8.2 “Devolución”.

### 7. Mantenimiento y limpieza



Datos de contacto ver capítulo 1 “Información general” o parte posterior del manual de instrucciones.

#### 7.1 Mantenimiento

Los interruptores de nivel optoelectrónicos son libres de mantenimiento en condiciones normales de uso. Sin embargo, deben someterse a una inspección visual como parte de la revisión regular, e incluirse en la prueba de presión del depósito.

Todas las reparaciones solamente las debe efectuar el fabricante.

#### 7.2 Limpieza



##### **¡CUIDADO!**

##### **Lesiones corporales, daños materiales y del medio ambiente**

Una limpieza inadecuada provoca lesiones corporales, daños materiales y del medio ambiente. Medios residuales en el instrumento desmontado pueden causar riesgos para personas, medio ambiente e instalación.

- ▶ Lavar o limpiar el dispositivo desmontado.
- ▶ Tomar adecuadas medidas de precaución.

1. Antes de limpiar desconectar el instrumento debidamente del proceso y de la alimentación de corriente.
2. Limpiar el instrumento con cuidado con un trapo húmedo.
3. ¡No poner las conexiones eléctricas en contacto con la humedad!



##### **¡CUIDADO!**

##### **Daños materiales**

¡Una limpieza inadecuada puede dañar el dispositivo!

- ▶ No utilizar productos de limpieza agresivos.
- ▶ No utilizar ningún objeto puntiagudo, duro o abrasivo para la limpieza.

## 8. Desmontaje, devolución y eliminación de residuos

### 8. Desmontaje, devolución y eliminación de residuos



#### ¡ADVERTENCIA!

#### Lesiones corporales, daños materiales y del medio ambiente por medios residuales

Medios residuales en el instrumento desmontado pueden causar riesgos para personas, medio ambiente e instalación.

- ▶ Enjuagar y limpiar el dispositivo desmontado para proteger a las personas y el medio ambiente contra peligros por medios residuales adherentes.

ES

#### 8.1 Desmontaje

¡Desmontar el instrumento de medición sólo si no está sometido a tensión!

En caso necesario hay que destensar la línea de medición.

#### 8.2 Devolución

Una vez desmontado el interruptor se debe enjuagar y limpiar antes de devolverlo para proteger a las personas y el medio ambiente contra medios residuales de medición.



Comentarios sobre el procedimiento de las devoluciones encuentra en el apartado “Servicio” en nuestra página web local.

#### 8.3 Eliminación de residuos

Una eliminación incorrecta puede provocar peligros para el medio ambiente.

Eliminar los componentes de los instrumentos y los materiales de embalaje conforme a los reglamentos relativos al tratamiento de residuos y eliminación vigentes en el país de utilización.



## 9. Datos técnicos

### 9. Datos técnicos

#### Datos generales

<b>Exactitud de medición</b>	±2 mm
<b>Posición de montaje</b>	cualquiera
<b>Indicación visual del estado de interrupción</b>	1 LED Modelo OLS-C05: solo con opción Trimmer, LED interno No disponible para los modelos OLS-C02, OLS-5200, OLS-F1

#### Datos de diseño

<b>Sensibilidad</b>	Preajustada para la detección de medios acuosos y aceites  Modelo OLS-C04: también para la detección de refrigerantes
<b>Temperatura del medio</b>	
Modelos OLS-C01, OLS-C02	-30 ... +100 °C
Modelos OLS-C04, OLS-F1	-40 ... +100 °C
Modelo OLS-C05	-40 ... +170 °C
Modelo OLS-5200	-40 ... +130 °C
<b>Temperatura ambiente</b>	
Modelos OLS-C01, OLS-C02, OLS-F1	-25 ... +70 °C
Modelo OLS-C04	-30 ... +70 °C
Modelos OLS-C05, OLS-5200	-30 ... +80 °C
<b>Presión de trabajo</b>	0 ... 25 bar [0 ... 2,5 MPa]  Modelo OLS-C04: 0 ... 40 bar [0 ... 4 MPa]

ES

## 9. Datos técnicos

### Datos eléctricos

<b>Alimentación auxiliar</b>	DC 12 ... 32 V
<b>Consumo de corriente máx.</b>	40 mA
<b>Salida</b>	Transistor PNP, con protección contra inversión de polaridad
<b>Función de conmutación</b>	Normalmente abierto (cerrado en presencia de fluido) o normalmente cerrado (abierto en presencia de fluido)
<b>Corriente de conmutación</b>	200 mA
<b>Tipo de protección</b>	IP65  Modelo OLS-F1 con tapa protectora: IP69K
<b>Número de puntos de interrupción</b>	1

ES

Para más datos técnicos véanse las hojas técnicas WIKA y la documentación de pedido.

LM 31.31 (OLS-C01)

LM 31.32 (OLS-C02)

LM 31.33 (OLS-C05)

LM 31.34 (OLS-C04)

LM 31.05 (OLS-F1)

LM 31.06 (OLS-5200)



