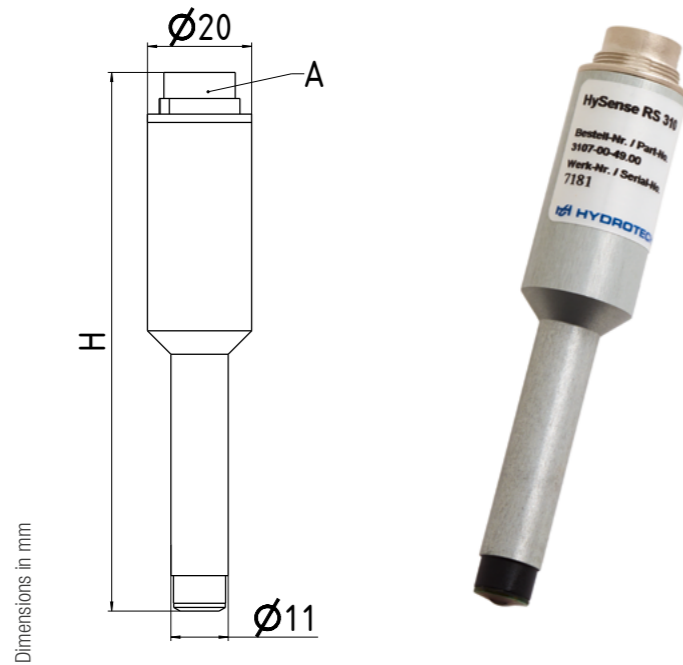


HySense® RS 3xx

The **HySense® RS 3xx** is a high-precision frequency sensor that converts the motion of diamagnetic materials into pulses using the GMR effect. The use of this effect makes precise frequency measurements possible even with very small gears and low rotational speeds.



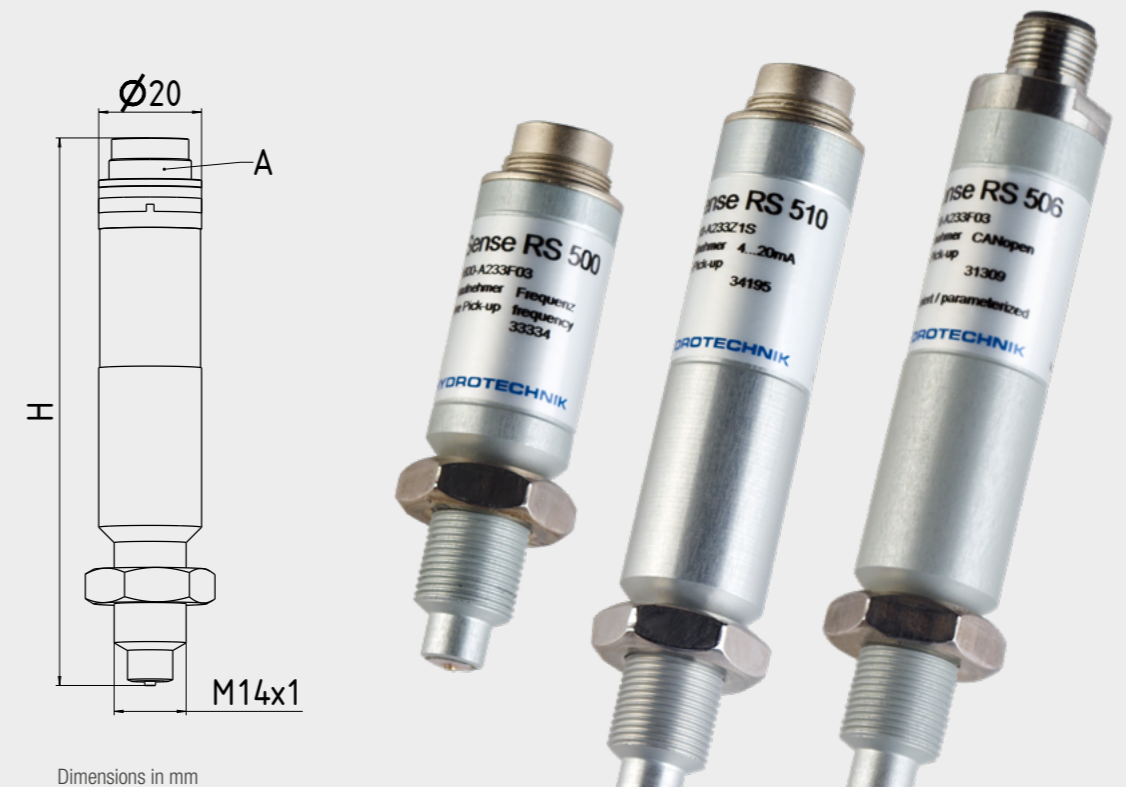
General characteristics	
Sensor principle	GMR effect
Frequency range	0.5 ... 1800 Hz
Measuring accuracy	±1 pulse
Electrical connector	M16 x 0.75, 5-pin / M16 x 0.75, 6-pin
Body material	Aluminum
Ambient temperature	-20 ... 85 °C
IP degree of protection	IP65 (DIN EN 60529)
Weight	60 g

Model	Output signal	H	Part No.
HySense® RS 300	Frequency, ISDS	104 mm	3107-00-S-49.00
HySense® RS 310	Frequency		3107-00-49.00

HySense® RS 5xx

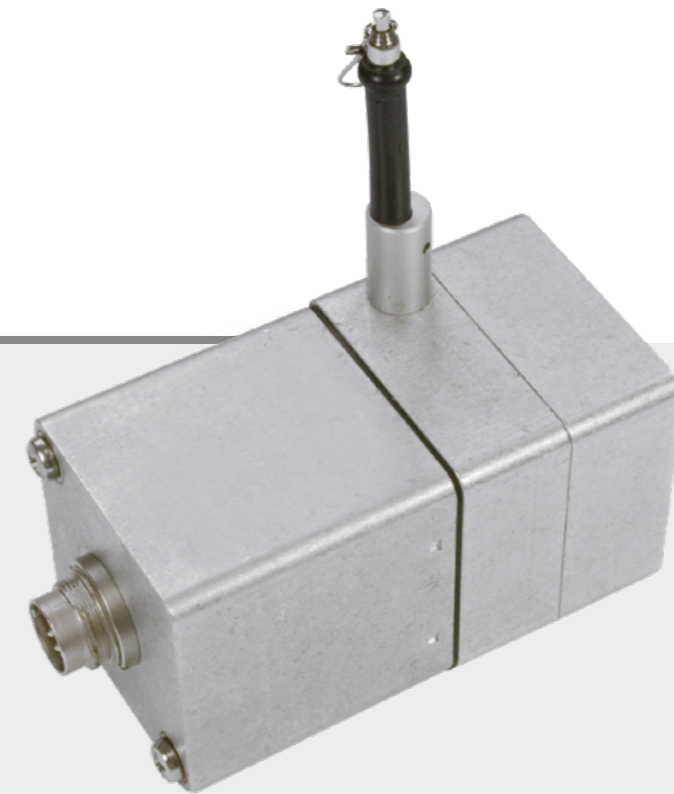
HySense® RS 5xx is Hydrotechnik's revolutionary inductive sensor series, which detects the frequency of rotating components with extremely high accuracy and stability. These sensors contain a microcontroller with sufficient computing power, and are accordingly also referred to as "intelligent sensors." In turn, this sensor intelligence makes it possible to modify a signal on the basis of linearization tables in the sensor itself so that a compensated output signal can be output (RS 506, RS 510).

A heavy-duty and compact design makes easy and fast installation possible and means that these sensors can be used in harsh environments. This sensor series was developed specifically for Hydrotechnik turbine flow meters, but can also be used for a broad range of measuring tasks.



HySense® PO 180

The **HySense® PO 180** is a high-resolution draw-wire position sensor. Its compact and heavy-duty design makes it impervious to environmental conditions, which is why it is an ideal choice for use with cranes, hydraulic presses, and a broad range of equipment for which travel or position changes need to be measured.



General characteristics	
Sensor principle	Electromagnetic induction
Measuring range	1 ... 10000 Hz (RS 500 & RS 506) 1 ... 5000 Hz (RS 510)
Measuring accuracy	±1 pulse (RS 500) ±0.1% of full scale (RS 506 & RS 510)
Electrical connector	M16 x 0.75, 6-pin / M12, 4-pin*
Mechanical connection	M14 x 1
Body material	Aluminum
Ambient temperature	-25 ... 85 °C (RS 500 & RS 510) -20 ... 70 °C (RS 506)
IP degree of protection	IP67 (DIN EN 60529)

* More available upon request

Model	Output signal	Function	Electrical connector	H	Part No.
HySense® RS 500	Frequency	ISDS	M16 x 0.75, 6-pin	73 mm	3410-1600-A233F03
HySense® RS 500	Frequency	ISDS	M12, 4-pin	87 mm	3410-1600-A211F07
HySense® RS 506	CANopen	Smart sensor with ISDS	M12, 4-pin	113 mm	3410-1400-A213C11
HySense® RS 510	4 ... 20 mA	Smart sensor with ISDS	M16 x 0.75, 6-pin	106 mm	3410-1400-A233Z1S
HySense® RS 510	4 ... 20 mA	Smart sensor with ISDS	M12, 4-pin	113 mm	3410-1400-A211Z13

General characteristics	
Sensor principle	Draw wire
Output signal	4 ... 20 mA
Nonlinearity	<±0.1% of full scale
Temperature coefficient	±0.01% / K
Electrical connector	8-pin connector DIN 45326
Housing / draw wire material	Aluminum and stainless steel / stainless steel
Ambient temperature	-20 ... 85 °C
IP degree of protection	IP65 (DIN EN 61076-2-106)