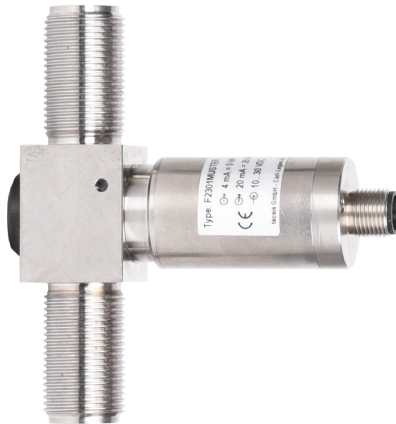


Tension/compression force transducer
Models F2301, F23C1, F23S1, F2303, F2304

EN

Zug-/Druckkraftaufnehmer
Typen F2301, F23C1, F23S1, F2303, F2304

DE



Model F2301



Model F2304



EN**Operating instructions, models F2301,
F23C1, F23S1, F2303, F2304****Page****3 - 48****DE****Betriebsanleitung, Typen F2301, F23C1,
F23S1, F2303, F2304****Seite****49 - 94**

© 06/2020 WIKA Alexander Wiegand SE & Co. KG
All rights reserved. / Alle Rechte vorbehalten.
WIKA® is a registered trademark in various countries.
WIKA® ist eine geschützte Marke in verschiedenen Ländern.

Prior to starting any work, read the operating instructions!
Keep for later use!

Vor Beginn aller Arbeiten Betriebsanleitung lesen!
Zum späteren Gebrauch aufbewahren!

Contents

1. General information	4
2. Design and function	5
2.1 Overview F2301, F23C1, F23S1	5
2.2 Overview model F2303	6
2.3 Overview model F2304	6
2.4 Description	7
2.5 Scope of delivery	7
3. Safety	7
3.1 Explanation of symbols	7
3.2 Intended use	8
3.3 Improper use	9
3.4 Responsibility of the operator	10
3.5 Personnel qualification.	10
3.6 Personal protective equipment	11
3.7 Labelling, safety marks	11
3.8 Signal jump electronics	12
3.9 RoHS evaluation.	12
4. Transport, packaging and storage	13
4.1 Transport	13
4.2 Packaging and storage	13
5. Commissioning, operation	14
5.1 Precautions before mounting	14
5.2 Mounting instructions	14
5.3 Mounting of models F2301, F23C1 and F23S1	15
5.4 Mounting of models F2301, F23C1 and F23S1 with swivel heads	16
5.5 Mounting of model F2303	17
5.6 Mounting of model F2304	18
5.7 Electrical connection	19
5.8 Electrical connection hazardous area.	22
6. Faults	23
7. Maintenance and cleaning	24
7.1 Maintenance	24
7.2 Cleaning	24
7.3 Recalibration	24
8. Dismounting, return and disposal	25
8.1 Dismounting	25
8.2 Return	25
8.3 Disposal	25
9. Specifications	26
9.1 Approvals	32
10. Accessories	44
10.1 Cable	44
10.2 Swivel heads	44
Appendix: EU declaration of conformity	46

EN

1. General information

- The tension/compression force transducers described in the operating instructions have been designed and manufactured using state-of-the-art technology. All components are subject to stringent quality and environmental criteria during production. Our management systems are certified to ISO 9001.
- These operating instructions contain important information on handling the instrument. Working safely requires that all safety instructions and work instructions are observed.
- Observe the relevant local accident prevention regulations and general safety regulations for the instrument's range of use.
- The operating instructions are part of the product and must be kept in the immediate vicinity of the instrument and readily accessible to skilled personnel at any time. Pass the operating instructions on to the next operator or owner of the instrument.
- Skilled personnel must have carefully read and understood the operating instructions prior to beginning any work.
- The general terms and conditions contained in the sales documentation shall apply.
- Subject to technical modifications.
- Factory calibrations / DKD/DaKkS calibrations are carried out in accordance with international standards.

Further information:

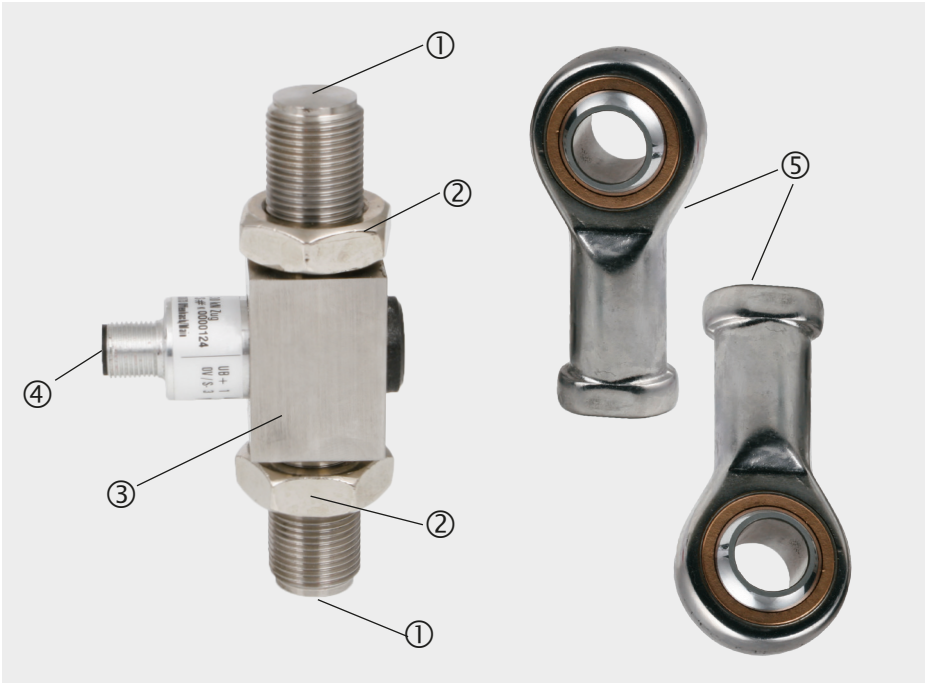
- Internet address: www.wika.de
- Relevant data sheet: FO 51.17 (F2301, F23C1, F23S1)
FO 51.46 (F2303)
FO 51.47 (F2304)
- Application consultant: Tel.: +49 9372 132-0
info@wika.de

Abbreviations, definitions

2-wire	The two connection lines are used for the voltage supply. The measuring signal also provides the supply current.
3-wire	Two connection lines are used for the voltage supply. One connection line is used for the measuring signal.
UB+	Positive power supply terminal
UB-	Negative power supply terminal
S+	Positive output signal
S-	Negative output signal
UR+	Positive power supply terminal for relay (signal jump)
UR-	Negative power supply terminal for relay (signal jump)
Shield	Case
x-pin	Pin assignment

2. Design and function

2.1 Overview of models F2301, F23C1, F23S1



- ① Force introduction (spherical surface)
- ② Counter nut
- ③ Measuring spring
- ④ Electrical connection
- ⑤ Swivel heads (optional)

2. Design and function

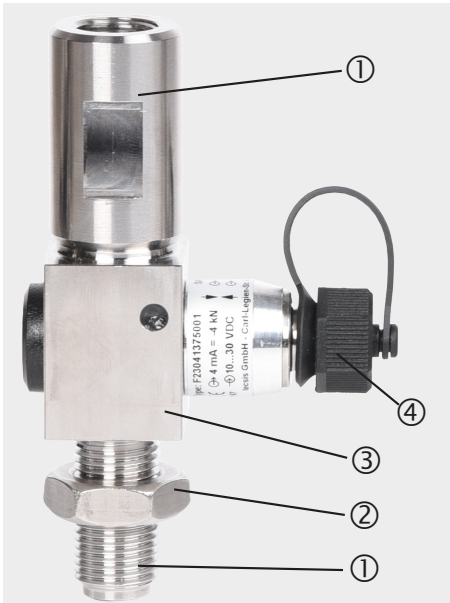
2.2 Overview model F2303

EN



- ① Force introduction
- ② Measuring spring
- ③ Electrical connection

2.3 Overview model F2304



- ① Force introduction
- ② Counter nut
- ③ Measuring spring
- ④ Electrical connection

2.4 Description

The tension/compression force transducer is designed for measuring static and dynamic tension and/or compression forces. The tension/compression force transducer consists of a measuring spring and a welded thin-film sensor. The measuring body is made of stainless steel and is elastically deformed by a tension and/or compression force introduced in the force direction. The resulting mechanical tensions are measured by the installed thin-film sensor and output by an electrical output signal.

2.5 Scope of delivery

- Tension/compression force transducer
- Operating instructions

3. Safety

3.1 Explanation of symbols



WARNING!

... indicates a potentially dangerous situation that can result in serious injury or death, if not avoided.



CAUTION!

... indicates a potentially dangerous situation that can result in light injuries or damage to property or the environment, if not avoided.



DANGER!

... indicates a potentially dangerous situation in the hazardous area that can result in serious injury or death, if not avoided.



Information

... points out useful tips, recommendations and information for efficient and trouble-free operation.

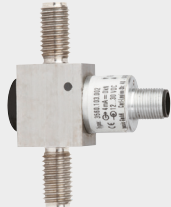


3. Safety

3.2 Intended use

The tension/compression force transducers are designed for measuring static and dynamic tension and/or compression forces.

Defective instruments must be returned to the manufacturer.

EN

Model	Version	Design
F2301		
Option 1	Version with male threads	
Option 2	Version with male threads and signal jump	
F23C1		
Option 1	Version with male threads in acc. with ATEX directive 2014/34/EU ATEX approval per EN 60079-0:2012 and EN 60079-11:2012 (Ex ib) IECEx approval per IEC 60079-0:2011 (Ed.6) and IEC 60079-11:2011 (Ed. 6) (Ex ib)	
Option 2	Version with male threads UL approval per UL 61010-1 and CSA C22.2 NO. 61010-1	
F23S1	Version with male threads in acc. with requirements for functional safety in acc. with the Machinery Directive 2006/42/EC, applies only in combination with a safety control system, for example overload protection ELMS1	
F2303	Version with swivel head and female thread	
F2304	Version with male thread and female thread	
		

79106223.02 04/2023 EN/DE

Force transducer for measuring tension and/or compression forces, for example press-in forces. The product is designed for use both outdoors and inside buildings.

The tension/compression force transducers are used to measure forces in both directions. The measured force is output as an electrical signal. These instruments are designed for operation in industrial environment. In other environments, e.g. residential or commercial, they may interfere with other equipment. In this case, the operator may be required to implement appropriate measures.

Only use the tension/compression force transducers in applications that are within the technical performance limits (e.g. max. ambient temperature, material compatibility, etc.). For performance limits, see chapter 9 "Technical data".

Only the tension/compression force transducers of models F23C1, version 1, are approved for use in hazardous areas! For Ex instruments, please note the additional information to this operating instruction (article number 14537280). For an overview, see the table on page 8.

The tension/compression force transducers are designed exclusively for the intended use which is described here and may only be used accordingly. Claims of any kind due to improper use are excluded.

The technical specifications contained in these operating instructions must be observed. Improper handling or operation of the instrument outside of its technical specifications requires the instrument to be taken out of service immediately and inspected by an authorised service engineer.

Handle electronic precision measuring instruments with the required care (protect from humidity, impacts, strong magnetic fields, static electricity and extreme temperatures, do not insert any objects into the instrument or its openings). Plugs and sockets must be protected from contamination.

This instrument is intended to be connected to PELV external circuit compliant with requirements of UL/IEC/EN 610101 clause 9.4 (limited energy circuit)".

The manufacturer shall not be liable for claims of any type based on operation contrary to the intended use. The Pollution Degree according to UL certification is Degree 4: „Electrical equipment for outdoor use“.

3.3 Improper use



WARNING!

Injuries through improper use

Improper use of the instrument can lead to hazardous situations and injuries.

- ▶ Refrain from unauthorised modifications to the instrument.

Any use beyond or different to the intended use is considered as improper use.

3.4 Responsibility of the operator

The instrument is used in the industrial sector. The operator is therefore responsible for legal obligations regarding safety at work.

The safety instructions within these operating instructions, as well as the safety, accident prevention and environmental protection regulations for the application area must be maintained.

The operator is obliged to maintain the product label in a legible condition.

To ensure safe working on the instrument, the operating company must ensure

- that suitable first-aid equipment is available and aid is provided whenever required.
- that the skilled electrical personnel are regularly instructed in all topics regarding work safety, first aid and environmental protection and know the operating instructions and in particular, the safety instructions contained therein.
- that the instrument is suitable for the particular application in accordance with its intended use.
- that personal protective equipment is available.

3.5 Personnel qualification



WARNING!

Risk of injury should qualification be insufficient

Improper handling can result in considerable injury and damage to equipment.

- ▶ The activities described in these operating instructions may only be carried out by skilled personnel who have the qualifications described below.

Skilled electrical personnel

Skilled electrical personnel are understood to be personnel who, based on their technical training, know-how and experience as well as their knowledge of country-specific regulations, current standards and directives, are capable of carrying out work on electrical systems and independently recognising and avoiding potential hazards. The skilled electrical personnel have been specifically trained for the work environment they are working in and know the relevant standards and regulations. The skilled electrical personnel must comply with current legal accident prevention regulations.

Special knowledge for working with instruments for hazardous areas:

The skilled electrical personnel must have knowledge of ignition protection types, regulations and provisions for equipment in hazardous areas.

Special operating conditions require further appropriate knowledge, e.g. of aggressive

media.

3.6 Personal protective equipment

The requirements for the required protective equipment result from the ambient conditions at the place of use, other products or the connection to other products.

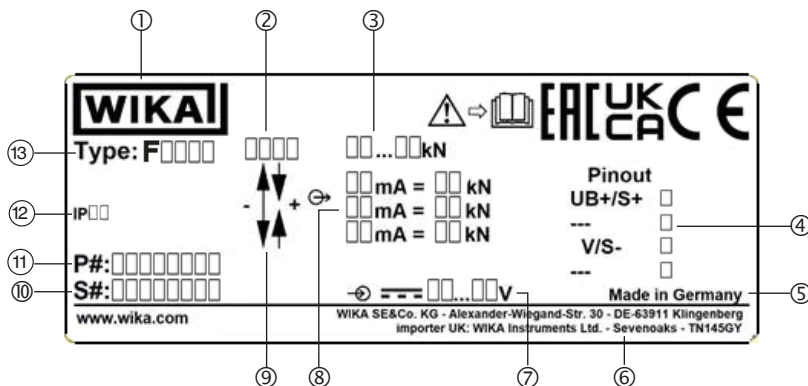
The requisite personal protective equipment must be provided by the operating company. The operator is in no way relieved of his obligations under labour law for the safety and the protection of workers' health.

The design of the personal protective equipment must take into account all operating parameters of the place of use.

3.7 Labelling, safety marks

Product label

Standard product label



- ① Logo
- ② Date of manufacture, year
- ③ Measuring range
- ④ Pin assignment
- ⑤ Country of Manufacture
- ⑥ Address and Importer UK
- ⑦ Power supply, excitation voltage for mV/V sensor
- ⑧ Output signal
- ⑨ Force direction
- ⑩ Serial number, TAG number
- ⑪ Product code
- ⑫ Ingress protection per DIN EN 60259
- ⑬ Model



Before mounting and commissioning the instrument, ensure you read the operating instructions!

3.8 Signal jump electronics

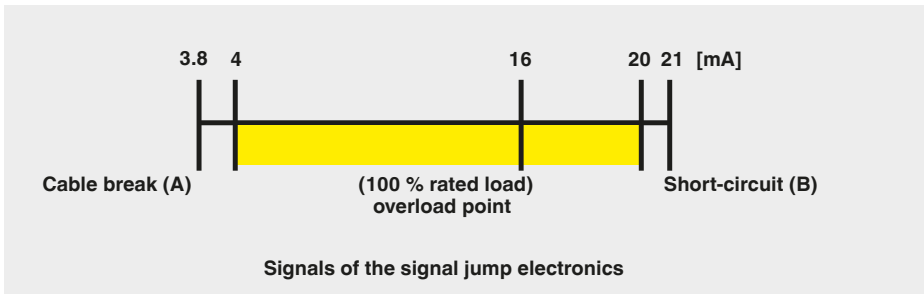
Compliance with functional safety

EN

An external safety control system independent of the force transducer must monitor the safe functioning of the force transducer. The functional test with a signal jump of 4 mA / 2 V is executed at an interval of 24 hours. The safety control system activates the relay A, thus changing the output signal of the force transducer in a defined manner.

If the expected change in the output signal occurs, it can be assumed that the entire signal path from the Wheatstone bridge via the amplifier through to the output is functioning correctly. If this does not occur, then it can be concluded that there is an error in the signal path.

Moreover, the measuring signal should be checked by the safety control for the min. (A) and max. (B) signal value to ensure that any cable break or short-circuit that has occurred is detected. The default setting of the force transducer with current output 4 ... 20 mA for overload detection is, for example:



With a fixed signal jump of, for example, 4 mA, the test cycle can then be triggered, in any operating state, by activating the test relay. The upper measuring range limit of 20 mA will never be reached and thus the checking of the signal jump is enabled.

3.9 RoHS evaluation

The tension/compression force transducers are intended for use in stationary large tools, large systems and moving machines. The tension/compression force transducers are therefore excluded from the scope of the EU Directive 2011/65/EU (RoHS); see 2011/65/EU, Article 2 (4) d), e) and g) and thus also to the Restriction of the Use of Certain Hazardous Substances in Electrical and Electronic Equipment Regulations 2012 for UK, as that corresponds to 2011/65/EU.

4. Transport, packaging and storage

4.1 Transport

Check the tension/compression force transducer for any damage that may have been caused by transport. Obvious damage must be reported immediately.



CAUTION!

Damage through improper transport

With improper transport, a high level of damage to property can occur.

- ▶ When unloading packed goods upon delivery as well as during internal transport, proceed carefully and observe the symbols on the packaging.
- ▶ With internal transport, observe the instructions in chapter 4.2 “Packaging and storage”.

As precision measuring instruments, the transducers require careful handling during transport and mounting. Load impacts during transport (e.g. hitting a hard surface) can lead to permanent damage, resulting in measuring errors in the subsequent measuring operation.

4.2 Packaging and storage

Do not remove packaging until just before mounting.

Keep the packaging as it will provide optimum protection during transport (e.g. change in installation site, sending for repair).

The measuring spring is made completely of stainless steel. The version of the accessory cables has an ingress protection of IP67. During storage the protection cap must always be on the electrical connection to avoid entry of moisture and dirt.

Permissible conditions at the place of storage:

- Storage temperature: -40 ... +85 °C [-40 ... +185 °F]
- Humidity: 35 ... 85 % relative humidity (non-condensing)

Avoid exposure to the following factors:

- Mechanical vibration, mechanical shock (putting it down hard)
- Dust, dirt, and other objects may not be deposited in such a way that they form a force shunt with the measuring spring, since this will falsify the measuring signal.

5. Commissioning, operation

5.1 Precautions before mounting

- Tension/compression force transducers are sensitive measuring instruments and must be handled with appropriate care.
- Before installing the tension/compression force transducer, check whether the threaded bores of the installation position have been executed dimensionally accurately, thus guaranteeing problem-free mechanical installation of the tension/compression force transducer.
- Before installation, make sure that any drilling chips have been removed from the threaded bores.

5.2 Mounting instructions



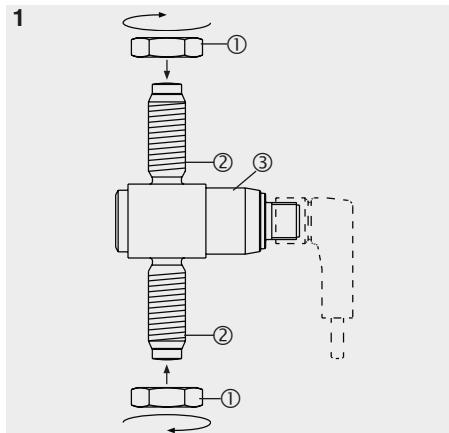
CAUTION!

Damage to the instrument through improper installation

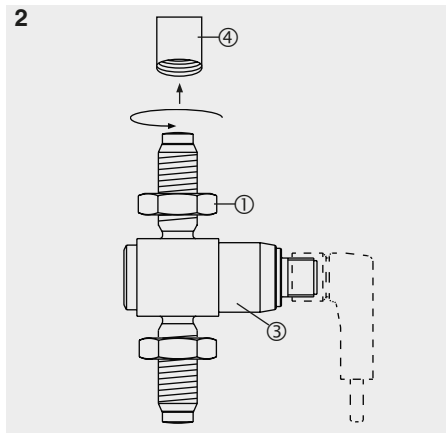
- With the installation of the force transducer, the installation position and the load direction must be considered.
- Torsional and shear forces must be avoided. Transverse loads and lateral forces also include the corresponding components of the measurands that are introduced slanted.
- Torsional moments, eccentric loads and transverse loads or lateral forces cause measuring errors and may permanently damage the tension/compression force transducer.
- The supplied counter nuts must never rest on the deformation element. A gap of at least 0.5 mm [0.02 in] must be provided.
- A possible counterpart may also not be screwed in as far as it will go in the internal thread.
- The installation of the tension/compression force transducer must not be made with any violent force.
- During installation of the tension/compression force transducer, the output signal (force value) must always be monitored to avoid mechanical overload.
- When subjected to loads in other instruments, other than those planned in the application, a change in the zero signal may result in permanent damage.
- Do not use the tension/compression force transducer as a climbing aid.
- If high shear forces or lateral forces are to be expected, the use of swivel heads is recommended (see chapter 10 “Accessories”).

5.3 Mounting of models F2301, F23C1 and F23S1

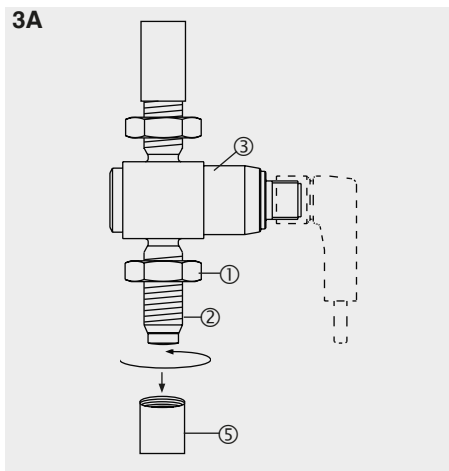
- ① Counter nut
- ② Thread
- ③ Force transducer
- ④ Measuring object
- ⑤ Measuring object, counterpart
- ⑥ Spherical surface



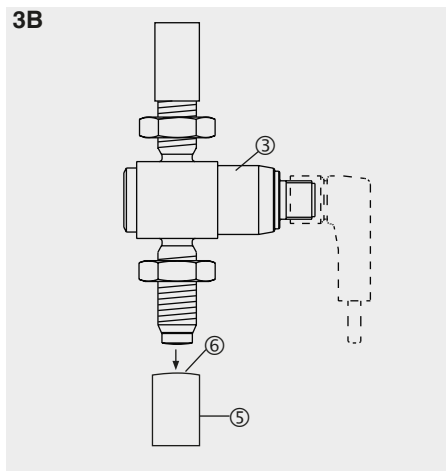
If necessary, screw counter nuts on each thread.



Screw the force transducer into the measuring object. If necessary, secure with hand tightening torque. Observe the recommended torque (see table on page 17).



Screw the counterpart of the measuring object onto the free thread. If necessary, secure with locknut. Observe the recommended torque (see table on page 17). Load the force transducer.



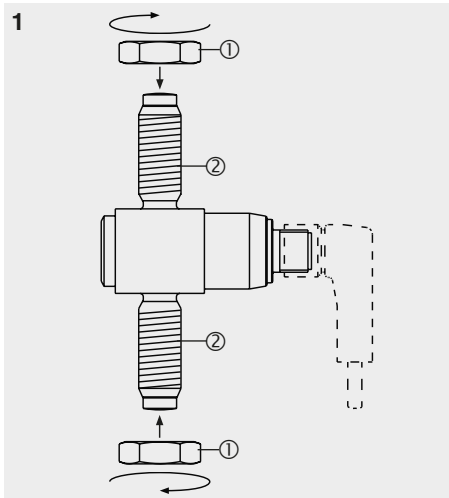
Position the counterpart of the measuring object against the spherical surface/face of the force transducer. Load the force transducer.

5. Commissioning, operation

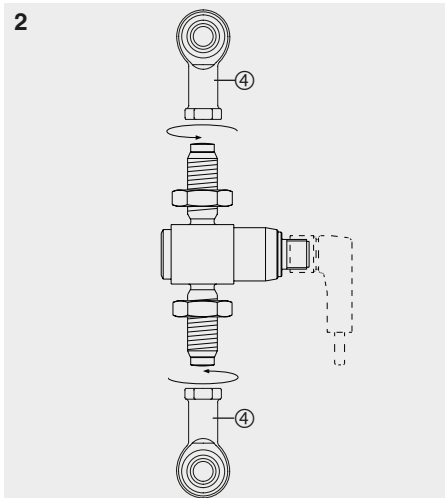
5.4 Mounting of models F2301, F23C1 and F23S1 with swivel heads

- ① Counter nut
- ② Thread
- ③ Force transducer
- ④ Swivel heads
- ⑤ Clamping system
- ⑥ Retaining bolt

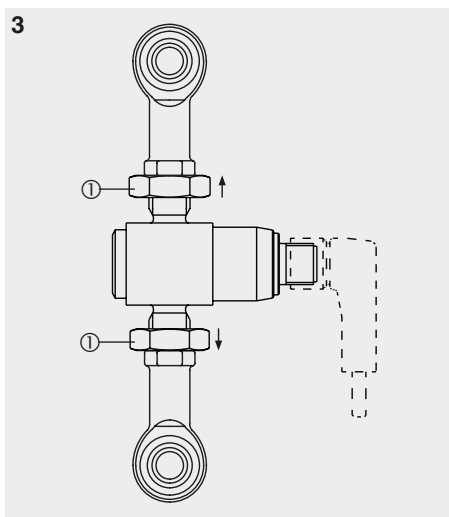
EN



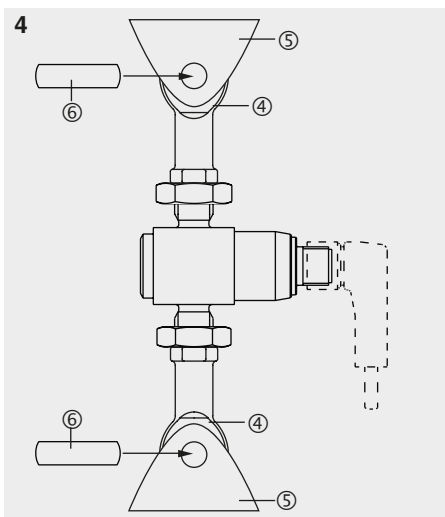
Screw counter nuts on the thread.



Screw swivel heads onto the thread.



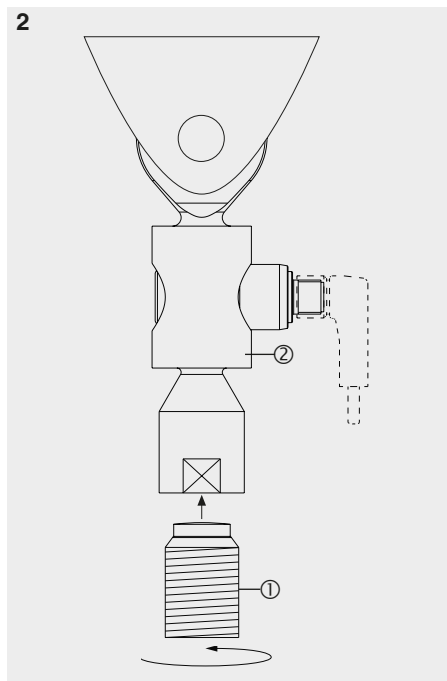
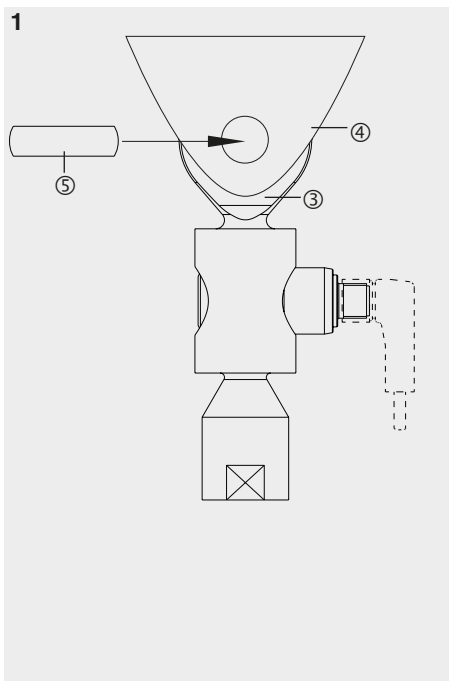
Tighten counter nuts. Observe the recommended torque (see table on page 17).



Place the swivel heads in the clamping instrument and fix with retaining bolts. The retaining bolts must not restrict the free location of the force transducer. Load the force transducer.

5.5 Mounting of model F2303

- ① Counter nut
- ② Thread
- ③ Force transducer
- ④ Clamping system
- ⑤ Retaining bolt



Place the swivel head in the clamping instrument, insert the retaining bolt into the hole of the clamping instrument and thus fix the measuring unit. The retaining bolt must not restrict the free location of the force transducer.

Screw force transducer onto thread of the measuring object. Do not screw in all the way! If the measuring object must be fixed, secure it with a nut. Observe the recommended torque (see table below). Load the force transducer.

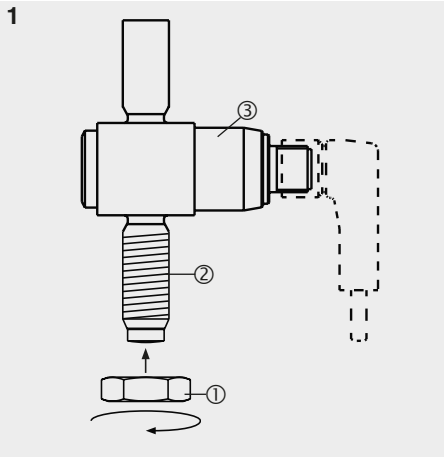
Guide values for “hand-tight” tightening torques M [Nm],
according to table 1 of DAST guideline 024:2018

Strength class	Tightening torques M [Nm]						
	M12	M20	M24	M39	M45	M56	M64
4,6 to 10,9	15	60	110	390	495	640	760

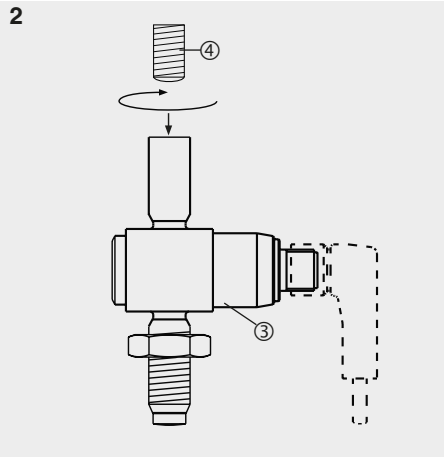
5. Commissioning, operation

5.6 Mounting of model F2304

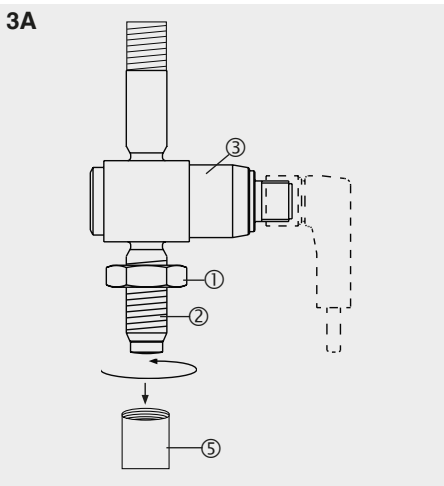
- ① Counter nut
- ② Thread
- ③ Force transducer
- ④ Measuring object
- ⑤ Measuring object, counterpart
- ⑥ Spherical surface



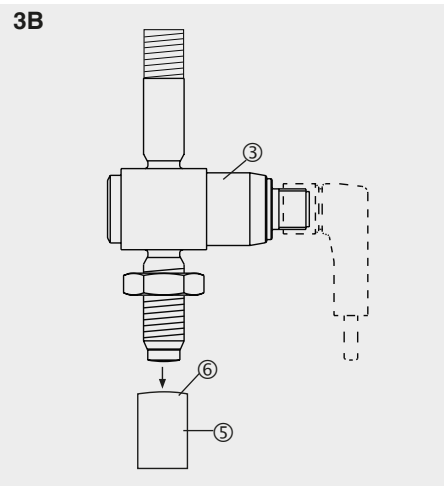
If necessary, screw a counter nut onto the thread.



Screw the force transducer to the measuring object. Do not screw in the counterpart as far as it will go in the internal thread!



Screw the counterpart of the measuring object onto the free thread. As necessary, secure with locknut. Observe the recommended torque (see table on page 17). Load the force transducer.



Position the counterpart of the measuring object against the spherical surface/face of the force transducer. Load the force transducer.

5.7 Electrical connection

To prevent interferences from coupling into the system:

- Use only shielded and low-capacitance measuring cables (for cables, see chapter 10 “Accessories”).
- Ground the shield of the measuring cable.
- Connect the cable shield with the case of the tension/compression force transducer. In the cables of the accessories, the cable shield is connected by means of the knurled nut, thus connecting it to the case of the tension/compression force transducer (for cables, see chapter 10 “Accessories”).
- Do not install measuring cables in parallel to 3-phase-current cables and control cables.
- Avoid stray fields of transformers, motors and contactors.
- Transducers, amplifiers and processing or display units must not be grounded several times. Connect all instruments to the same protective conductor.

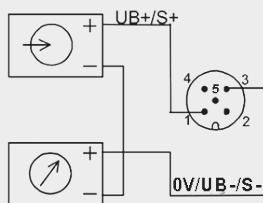
The pin assignment of the connector or of the cable can be found on the product label.

When using extensions, only shielded and low-capacitance cables should be used. The permitted maximum and minimum lengths of cable are defined in ISO 11898-2. Care should be taken about the shielding.

5.7.1 Pin assignment of analogue output, models F2301, F2303, F2304

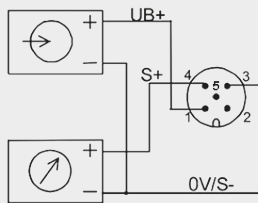
Output 4 ... 20 mA, 2-wire

Circular connector M12 x 1, 5-pin



Output 0...10 V / 4 ... 20 mA, 3-wire

Circular connector M12 x 1, 5-pin



Circular connector M12 x 1, 5-pin

	4 ... 20 mA, 2-wire	4 ... 20 mA, 3-wire	0 ... 10 V, 3-wire
UB+	1	1	1
0V/UB-	3	3	3
S+	1	4	4
S-	3	3	3
Shield ⊕	Case	Case	Case

Cable assignment in combination with circular connector M12 x 1, 5-pin

Cable colour	2-wire	3-wire
Brown	UB+/S+	UB+
White	-	-
Blue	0V/S-	0V/S-
Black	-	S+

Only when using standard cable, e.g. item number 14259454

5. Commissioning, operation

5.7.2 Pin assignment for ATEX/IECEx, model F23C1

Circular connector M12 x 1, 4-pin	
	ATEX Ex ib 4 ... 20 mA, 2-wire
UB+	1
0V/UB-	3
S+	1
S-	3
Shield ⊕	Case

Cable assignment in combination with circular connector M12 x 1, 4-pin	
Cable colour	2-wire
Brown	UB+/S+
White	-
Blue	0V/S-
Black	-

Only when using standard cable, e.g. item number 14259454

5.7.3 Pin assignment with signal jump, model F2301

Circular connector M12 x 1, 4-pin			
	4 ... 20 mA, 2-wire	4 ... 20 mA, 3-wire	0 ... 10 V, 3-wire
UB+	1	1	1
0V/UB-	3	3	3
UR+	2	2	2
UR-	4	3	3
S+	1	4	4
S-	3	3	3
Shield ⊕	Case	Case	Case

Cable assignment in combination with circular connector M12 x 1, 4-pin		
Cable colour	2-wire	3-wire
Brown	UB+/S+	UB+
White	UR+	UR+
Blue	0V/S-	0V/S-/UR-
Black	UR-	S+

Only when using standard cable, e.g. item number 14259454

5.7.4 Pin assignment of analogue output, redundant

Circular connector M12 x 1, 5-pin	
	4 ... 20 mA, 2-wire
UB1+/S1+	1
UB2+/S2+	2
UB1-/S1-	3
UB2-/S2-	4
Shield ⊕	Case

Circular connector M12 x 1, 5-pin		
	4 ... 20 mA, 3-wire	0 ... 10 V, 3-wire
Versorgung UB+	1	1
Versorgung 0V/S-	3	3
Signal S1+	4	4
Signal S2+	2	2
Shield ⊕	Case	Case

Cable assignment in combination with circular connector M12 x 1, 5-pin

Cable colour	2-wire	3-wire
Brown	UB+/S+	UB+
White	-	-
Blue	0V/S-	0V/S-
Black	-	S+

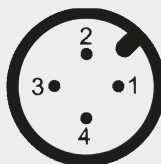
Only when using standard cable, e.g. item number 14259454

5. Commissioning, operation

5.7.5 Pin assignment of analogue output redundant, opposing

Circular connector M12 x 1, 4-pin		
	4 ... 20 mA / 20...4 mA (redundant)	
	Connector 1	Connector 2
UB+	1	1
0V/UB-	3	3
Signal: Channel 1	4	-
Signal: Channel 2	-	4
Shield ⊕	Case	Case

Circular connector M12 x 1, 4-pin



2-connector variant, for example, in combination with ELMS1 overload protection (F23S1). Version in acc. with requirements for functional safety per Machinery Directive 2006/42/EC.

5.7.6 Pin assignment for CANopen®

Circular connector M12 x 1, 5-pin	
Shield ⊕	1
UB+ (CAN V+)	2
UB- (CAN GND)	3
Bus signal, CAN-High	4
Bus signal, CAN-Low	5

Circular connector M12 x 1, 5-pin



5.8 Electrical connection hazardous area

Electrical data of supply circuit or signal circuit:

- $UB_+ = DC\ 9 \dots 30\ V$
- $I_{max} = 130\ mA$
- $P_{max} = 750\ mW$
- $C_i = 13.2\ nF$

For tension/compression force transducers with cable connection, the following values must be additionally taken into account:

- $CL = 320\ nF/km$
- $LL = 0.44\ mH/km$

The tension/compression force transducer with the ignition protection type “ib” must only be supplied with a repeater power supply.

For redundant versions of the tension/compression force transducer, separate cable leads should be provided. When connecting via a single cable, the requirements per IEC 60079-14 must be taken into account. Different intrinsically safe circuits must be separated in the cable via a shield. Make sure that all shields are grounded. If two intrinsically safe circuits are connected to the tension/compression force transducer via a plug connection, the connector must be potted, and the spacing between the intrinsically safe circuits must be at least 1 mm. The cables must be protected against damage. Damaged cables must be replaced immediately.

6. Faults



DANGER!

Danger to life from explosion

Through working in flammable atmospheres, there is a risk of explosion which can cause death.

- ▶ Only rectify faults in non-flammable atmospheres!



CAUTION!

Physical injuries, damage to equipment

If faults cannot be eliminated by means of the measures listed, the tension/compression force transducer must be taken out of operation immediately.

- ▶ Contact the manufacturer.
- ▶ If a return is needed, please follow the instructions given in chapter 9.2 “Return”.



For contact details see chapter 1 “General information” or the back page of the operating instructions.

Faults	Causes	Measures
No output signal	No or wrong power supply, current pulse	Rectify the power supply
	Cable break	Check the continuity
No or wrong output signal	Wrong pin assignment	Check pin assignment
Deviating zero point signal	Overload, last offset, wrong connection	Consult the manufacturer
Constant output signal when changing force	Mechanical overload, wrong pin assignment	Consult the manufacturer
Signal span varies	EMC interference sources in the environment; for example, frequency converter	Shield instrument; cable shield; remove source of interference
Signal span drops/too small	Mechanical overload	Consult the manufacturer

7. Maintenance and cleaning

7.1 Maintenance

This instrument is maintenance-free.

Repairs must only be carried out by the manufacturer.
Only use original parts (see chapter 10 "Accessories").

7.2 Cleaning

1. Prior to cleaning, disconnect the tension/compression force transducer from the voltage supply and dismount it.
2. Clean the tension/compression force transducer with a cloth.
Electrical connections must not come into contact with moisture!



CAUTION!

Damage to the instrument

Improper cleaning may lead to damage to the instrument!

- ▶ Do not use any aggressive cleaning agents.
- ▶ Do not use any hard or pointed objects for cleaning.

7.3 Recalibration

DKD/DAkkS certificate - official certificates:

We recommend that the tension/compression force transducer is recalibrated by the manufacturer at regular time intervals of approx. 24 months. The basic settings will be corrected if necessary.



For contact details see chapter 1 "General information" or the back page of the operating instructions.

8. Dismounting, return and disposal

8.1 Dismounting

Release the load from the tension/compression force transducer and disconnect from power. Remove the tension/compression force transducer from the mounting.

8.2 Return

Strictly observe the following when shipping the instrument:

All instruments delivered to WIKA must be free from any kind of hazardous substances (acids, bases, solutions, etc.) and must therefore be cleaned before being returned.

When returning the instrument, use the original packaging or a suitable transport packaging.

To avoid damage:

1. Wrap the instrument in an antistatic plastic film.
2. Place the instrument, along with the shock-absorbent material, in the packaging.
Place shock-absorbent material evenly on all sides of the transport packaging.
3. If possible, place a bag containing a desiccant inside the packaging.
4. Label the shipment as carriage of a highly sensitive measuring instrument.



Information on returns can be found under the heading “Service” on our local website.

8.3 Disposal

Incorrect disposal can put the environment at risk.

Dispose of instrument components and packaging materials in an environmentally compatible way and in accordance with the country-specific waste disposal regulations.



Do not dispose of with household waste. Ensure a proper disposal in accordance with national regulations.

9. Specifications

Model	F2301	F23S1
Rated force F_{nom} kN	1, 2, 3, 5, 10, 20, 30, 50, 100, 200, 300, 500	3, 5, 10, 20, 30, 50, 100
Rated force F_{nom} lbf	225; 450; 674; 1,124; 2,248; 4,496; 6,744; 11,240; 22,481; 44,962; 67,443; 112,404	674; 1,124; 2,248; 4,496; 6,744; 11,240; 22,481
Relative linearity error $d_{lin}^{1)}$	$\pm 0.5 \% F_{nom}$	
Relative reversibility error	$< 0.1 \% F_{nom}$	
Relative creep, 30 min. at F_{nom}	$0.1 \% F_{nom}$	
Temperature effect on		
characteristic value TK_C	$0.4 \% F_{nom}/10 \text{ K}$	$0.2 \% F_{nom}/10 \text{ K}$
zero signal TK_0	$0.4 \% F_{nom}/10 \text{ K}$	$0.2 \% F_{nom}/10 \text{ K}$
Limit force F_L	$150 \% F_{nom}$	
Breaking force F_B	$300 \% F_{nom}$	
Permissible vibration loading F_{rb}	$\pm 50 \% F_{nom}$ (in accordance with DIN 50100)	
Rated displacement (typ.) s_{nom}		
$< 10 \text{ kN}$ [$< 2.248 \text{ lbf}$]	$< 0.02 \text{ mm}$ [$< 0,00079 \text{ in}$]	
$< 100 \text{ kN}$ [$< 22.481 \text{ lbf}$]	$< 0.2 \text{ mm}$ [$< 0,0079 \text{ in}$]	
Material of the measuring body	Corrosion-resistant stainless steel 1.4542, ultrasound-tested 3.1 material (optionally 3.2)	
Rated temperature range $B_{T, nom}$	$-20 \dots +80 \text{ }^\circ\text{C}$ [$-4 \dots +176 \text{ }^\circ\text{F}$]	
Service temperature range $B_{T, G}$	<ul style="list-style-type: none"> ■ $-30 \dots +80 \text{ }^\circ\text{C}$ [$-22 \dots +176 \text{ }^\circ\text{F}$] ■ $-40 \dots +80 \text{ }^\circ\text{C}$ [$-40 \dots +176 \text{ }^\circ\text{F}$] 	$-30 \dots +80 \text{ }^\circ\text{C}$ [$-22 \dots +176 \text{ }^\circ\text{F}$]
Storage temperature range $B_{T, S}$	$-40 \dots +85 \text{ }^\circ\text{C}$ [$-40 \dots +185 \text{ }^\circ\text{F}$]	
Electrical connection	<ul style="list-style-type: none"> ■ Circular connector M12 x 1, 5-pin ■ CANopen® 5-pin 	2-connector variant, 4-pin
Output signal (Rated characteristic value) C_{nom}	<ul style="list-style-type: none"> ■ 4 ... 20 mA, 2-wire ■ 4 ... 20 mA, 3-wire ■ DC 0 ... 10 V, 3-wire ■ Optional redundant signal ■ CANopen® Protocol in accordance with CiA 301, instrument profile 404, communication services LSS (CiA 305), configuration of the instrument address and baud rate Sync/Async, Node/Lifeguarding, heartbeat; zero and span $\pm 10 \%$ adjustable via entries in the object directory 2) 	<ul style="list-style-type: none"> ■ Redundant, opposing ■ 4 ... 20 mA/20 ... 4 mA Version in accordance with requirements for functional safety per machinery directive 2006/42/EC.

9. Specifications

EN

Model	F2301	F23S1
Current/power consumption	<ul style="list-style-type: none"> ■ Current output 4 ... 20 mA 2-wire: Signal current ■ Current output 4 ... 20 mA 3-wire: < 8 mA ■ Voltage output: < 8 mA ■ CANopen®: <1 W 	Current output 4 ... 20 mA: signal current
Supply voltage UB	<ul style="list-style-type: none"> ■ DC 9 ... 36 V for current output ■ DC 13 ... 36 V for voltage output ■ DC 9 ... 36 V for CANopen® 	DC 10 ... 30 V for current output
Load	<ul style="list-style-type: none"> ■ $\leq (UB - 10 \text{ V})/0.024 \text{ A}$ for current output ■ $> 10 \text{ k}\Omega$ for voltage output 	<ul style="list-style-type: none"> ■ $\leq (UB - 10 \text{ V})/0.020 \text{ A}$ (channel 1) for current output ■ $\leq (UB - 7 \text{ V})/0.020 \text{ A}$ (channel 2) for current output
Ingress protection (per EN/IEC 60529)		IP67
Unplugged condition	IP66, IP67	
Plugged condition	IP68, IP69, IP69K	
Electrical protection	Reverse polarity protection, overvoltage and short-circuit resistance	
Vibration resistance	20 g, 100 h, 50 ... 150 Hz (per DIN EN 60068-2-6)	
Immunity	Per DIN EN 61326-1/DIN EN 61326-2-3 (optionally EMC-protected versions)	
Options	Certificates, strength verifications, 3D/CAD files (STEP, IGES) on request	

1) Relative linearity error is specified in accordance with Directive VDI/VDE/DKD 2638 Chap. 3.2.6.

2) Protocol in accordance with CiA 301, instrument profile 404, communication service LSS (CiA 305).

CANopen® and CiA® are registered community trademarks of CAN in Automation e. V.

9. Specifications

Model	F23C1 ATEX/IECEX EX ib 1)	F2301 Signal jump
Rated force F_{nom} kN	1, 2, 3, 5, 10, 20, 30, 50, 100	
Rated force F_{nom} lbf	225; 450; 674; 1,124; 2,248; 4,496; 6,744; 11,240; 22,481	
Relative linearity error $d_{lin}^{2)}$	$\pm 0.5\% F_{nom}$	
Relative reversibility error v	$< 0.1\% F_{nom}$	
Relative creep	0.1 % F_{nom}	
Temperature effect on		
characteristic value TK_c	0.2 % $F_{nom}/10\text{ K}$	0.4 % $F_{nom}/10\text{ K}$
zero signal TK_0	0.2 % $F_{nom}/10\text{ K}$	0.4 % $F_{nom}/10\text{ K}$
Limit force F_L	150 % F_{nom}	
Breaking force F_B	300 % F_{nom}	
Permissible vibration loading F_{rb}	$\pm 50\% F_{nom}$ (in accordance with DIN 50100)	
Rated displacement (typ.) s_{nom}		
<10 kN [$< 2.248\text{ lbf}$]	< 0.02 mm [$< 0,00079\text{ in}$]	
<100 kN [$< 22.481\text{ lbf}$]	< 0.2 mm [$< 0,0079\text{ in}$]	
Material of the measuring body	Corrosion-resistant stainless steel 1.4542, ultrasound-tested 3.1 material (optionally 3.2)	
Rated temperature $B_{T, nom}$	-20 ... +80 °C [-4 ... +176 °F]	
Service temperature $B_{T, G}$	Ex II 2G Ex ib IIC T4 Gb -25 °C < T_{amb} < +85 °C Ex II 2G Ex ib IIC T3 Gb -25 °C < T_{amb} < +100 °C Ex I M2 Ex ib I Mb -25 °C < T_{amb} < +85 °C Ex II 2G Ex ib IIC T4 Gb -40 °C < T_{amb} < +85 °C Ex I M2 Ex ib I Mb (only available with cable connection)	-30 ... +80 °C [-22 ... +176 °F]
Storage temperature $B_{T, S}$	-40 ... +85 °C [-40 ... +185 °F]	
Electrical connection	Circular connector M12 x 1, 4-pin	
Output signal (rated characteristic value) C_{nom}	4 ... 20 mA, 2-wire	<ul style="list-style-type: none"> ■ 4 ... 16 mA, 2-wire ³⁾ ■ DC 2 ... 8 V, 3-wire ³⁾
Current/power consumption	Current output 4 ... 20 mA 2-wire: Signal current	<ul style="list-style-type: none"> ■ Current output 4 ... 20 mA 2-wire: Signal current ■ Current output 4 ... 20 mA 3-wire: < 8 mA ■ Voltage output: < 8 mA
Supply voltage U_B	DC 10 ... 30 V for voltage output	<ul style="list-style-type: none"> ■ DC 10 ... 30 V for current output ■ DC 14 ... 30 V for voltage output

9. Specifications

EN

Model	F23C1 ATEX/IECEX EX ib 1)	F2301 Signal jump
Load	<ul style="list-style-type: none"> ■ $\leq (UB - 10 V)/0.024 A$ for current output ■ $> 10 k\Omega$ for voltage output 	
Ingress protection (per IEC/EN 60529)	IP67	
Electrical protection	Reverse polarity protection, overvoltage and short-circuit resistance	
Vibration resistance	20 g, 100 h, 50 ... 150 Hz (per DIN EN 60068-2-6)	
Immunity	In accordance with DIN EN 61326-1/DIN EN 61326-2-3 (optional EMC-strengthened versions)	
Options	Certificates, strength verifications, 3D/CAD files (STEP, IGES) on request	

1) Relative linearity error is specified in accordance with Directive VDI/VDE/DKD 2638 Chap. 3.2.6

2) Protocol in accordance with CiA 301, instrument profile 404, communication service LSS (CiA 305)

3) Other response times possible upon request

9. Specifications

Model	F2303
Rated force F_{nom} kN [lbf]	10, 18, 20, 34, 45 [2,248; 4,047; 4,496; 7,644; 10,116]
Relative linearity error $d_{lin}^{1)}$	$\pm 0.5\% F_{nom}$
Relative reversibility error	$< 0.1\% F_{nom}$
Relative creep, 30 min. at F_{nom}	$0.1\% F_{nom}$
Temperature effect on	
characteristic value TK_C	$0.4\% F_{nom} / 10\text{ K}$
zero signal TK_0	$0.4\% F_{nom} / 10\text{ K}$
Limit force F_L	$150\% F_{nom}$
Breaking force F_B	$300\% F_{nom}$
Permissible vibration loading F_{rb}	$\pm 50\% F_{nom}$ (in accordance with DIN 50100)
Rated displacement (typical) s_{nom}	$< 0.1\text{ mm}$ [$< 0.004\text{ in}$]
Material of the measuring body	Corrosion-resistant stainless steel 1.4542, ultrasound-tested 3.1 material (optionally 3.2)
Rated temperature range $B_{T, nom}$	$-20 \dots +80\text{ }^\circ\text{C}$ [$-4 \dots +176\text{ }^\circ\text{F}$]
Service temperature range $B_{T, G}$	$-30 \dots +80\text{ }^\circ\text{C}$ [$-22 \dots +176\text{ }^\circ\text{F}$]
Storage temperature range $B_{T, S}$	$-40 \dots +85\text{ }^\circ\text{C}$ [$-40 \dots +185\text{ }^\circ\text{F}$]
Electrical connection	Circular connector M12 x 1, 4-pin
Output signal (Rated characteristic value) C_{nom}	<ul style="list-style-type: none"> ■ 4 ... 20 mA, 2-wire ■ 4 ... 20 mA, 3-wire ■ DC 0 ... 10 V, 3-wire (optional redundant signal) ■ CANopen® Protocol in accordance with CiA 301, instrument profile 404, communication services LSS (CiA 305), configuration of the instrument address and baud rate Sync/Async, Node/Lifeguarding, heartbeat; zero and span $\pm 10\%$ adjustable via entries in the object directory ²⁾
Current/power consumption	Current output 4 ... 20 mA, signal current: 2-wire
Supply voltage U_B	DC 10 ... 30 V for current output
Load	$\leq (U_B - 10\text{ V})/0.024\text{ A}$ for current output
Response time	$< 1\text{ ms}$ (within 10 % to 90 % F_{nom}) ³⁾
Ingress protection (per EN/IEC 60529)	IP67
Vibration resistance	20 g, 100 h, 50 ... 150 Hz (per DIN EN 60068-2-6)
Electrical protection	Reverse polarity protection, overvoltage and short-circuit resistance
Immunity	Per DIN EN 61326-1/DIN EN 61326-2-3 (optionally EMC-protected versions)
Options	Certificates, strength verifications, 3D/CAD files (STEP, IGES) on request

1) Relative linearity error is specified in acc. with Directive VDI/VDE/DKD 2638 Chap. 3.2.6 / 2) Protocol in accordance with CiA 301, instrument profile 404, communication service LSS (CiA 305) / 3) Other response times possible upon request
CANopen® and CiA® are registered community trademarks of CAN in Automation e. V.

9. Specifications



EN

Model	F2304
Rated force F_{nom} kN	1; 2; 3; 5; 10; 20; 30; 50; 100; 200
Rated force F_{nom} lbf	225; 450; 674; 1,124; 2,248; 4,496; 6,744; 11,240; 22,481; 44,962
Relative linearity error d_{lin} 1)	$\pm 0.5 \% F_{nom}$
Relative reversibility error	$< 0.1 \% F_{nom}$
Relative creep, 30 min. at F_{nom}	$0.1 \% F_{nom}$
Temperature effect on	
characteristic value TK_C	$0.2 \% F_{nom}/10 K$
zero signal TK_0	$0.2 \% F_{nom}/10 K$
Limit force F_L	$150 \% F_{nom}$
Breaking force F_B	$300 \% F_{nom}$
Permissible vibration loading F_{rb}	$\pm 50 \% F_{nom}$ (in accordance with DIN 50100)
Rated displacement (typical) s_{nom}	$< 0.1 mm$ [$< 0.004 in$]
Material of the measuring body	Corrosion-resistant stainless steel 1.4542, ultrasound-tested 3.1 material (optionally 3.2)
Rated temperature range B_T, nom	$-20 \dots +80 \text{ }^\circ C$ [$-4 \dots +176 \text{ }^\circ F$]
Service temperature range B_T, G	$-30 \dots +80 \text{ }^\circ C$ [$-22 \dots +176 \text{ }^\circ F$]
Storage temperature range B_T, S	$-40 \dots +85 \text{ }^\circ C$ [$-40 \dots +185 \text{ }^\circ F$]
Electrical connection	Circular connector M12 x 1, 4-pin
Output signal (Rated characteristic value) C_{nom}	<ul style="list-style-type: none"> ■ 4 ... 20 mA, 2-wire ■ 4 ... 20 mA, 3-wire ■ DC 0 ... 10 V, 3-wire (optional redundant signal) ■ CANopen® Protocol in accordance with CiA 301, instrument profile 404, communication services LSS (CiA 305), configuration of the instrument address and baud rate Sync/Async, Node/Lifeguarding, heartbeat; zero and span $\pm 10 \%$ adjustable via entries in the object directory 2)
Current/power consumption	Current output 4 ... 20 mA, signal current: 2-wire
Supply voltage UB	<ul style="list-style-type: none"> ■ DC 9 ... 36 V for current output ■ DC 13 ... 36 V for voltage output ■ DC 9 ... 36 V for CANopen®
Load	$\leq (UB - 10 V)/0.024 A$ for current output
Response time	$< 1 ms$ (within 10 % to 90 % F_{nom}) 3)
Ingress protection (per EN/IEC 60529)	
Unplugged condition	IP66, IP67
Plugged condition	IP68, IP69, IP69K
Electrical protection	Reverse polarity protection, overvoltage and short-circuit resistance
Vibration resistance	20 g, 100 h, 50 ... 150 Hz (per DIN EN 60068-2-6)
Immunity	Per DIN EN 61326-1/DIN EN 61326-2-3 (optionally EMC-protected versions)
Options	Certificates, strength verifications, 3D/CAD files (STEP, IGES) on request





1) Relative linearity error is specified in acc. with Directive VDI/VDE/DKD 2638 Chap. 3.2.6 / 2) Protocol in accordance with CiA 301, instrument profile 404, communication service LSS (CiA 305) / 3) Other response times possible upon request
CANopen® and CiA® are registered community trademarks of CAN in Automation e. V.

9. Specifications

9.1 Approvals

Logo	Description	Region
	EU declaration of conformity EMC directive	European Union
	UKCA EMC directive	United Kingdom

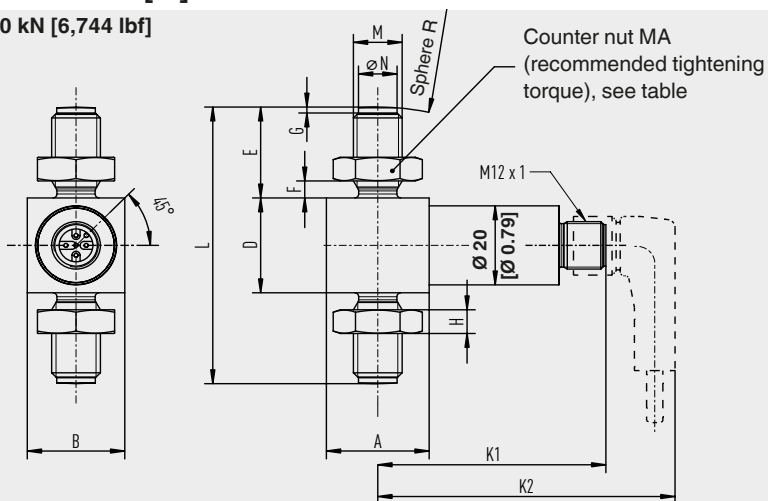
Optional approvals

Logo	Description	Region
	ATEX directive (option) Hazardous areas Ex ib Ex II 2G Ex ib IIC T4 Gb $-25\text{ °C} < T_{\text{amb}} < +85\text{ °C}$ Ex II 2G Ex ib IIC T3 Gb $-25\text{ °C} < T_{\text{amb}} < +100\text{ °C}$ Ex I M2 Ex ib I Mb $-25\text{ °C} < T_{\text{amb}} < +85\text{ °C}$ Ex II 2G Ex ib IIC T4 Gb $-40\text{ °C} < T_{\text{amb}} < +85\text{ °C}$ I M2 Ex ib I Mb (only available with cable connection)	European Union
	IECEx (Option) Hazardous areas Ex ib Ex ib IIC T4/T3 Gb $-25\text{ °C} < T_{\text{amb}} < +85\text{ °C}$ Ex ib IIC T4 Gb $-25\text{ °C} < T_{\text{amb}} < +100\text{ °C}$ Ex ib I Mb $-25\text{ °C} < T_{\text{amb}} < +85\text{ °C}$ Ex ib IIC T4 Gb $-40\text{ °C} < T_{\text{amb}} < +85\text{ °C}$	International
	UL Component approval	USA and Canada
	EAC	Eurasian Economic Community

9. Specifications

Dimensions in mm [in] of model F2301

Version to 30 kN [6,744 lbf]



EN

Rated force in kN [lbf]	Dimensions in mm [in]						
	A	B	D	E	F	G	H
1, 2, 3 [225], [450], [674]	25.3 [0.99]	24 [0.99]	24 [0.99]	23 [0.9]	4.3 [0.17]	1.5 [0.06]	6 [0.24]
5 [1,124]	25.3 [0.99]	24 [0.99]	24 [0.99]	23 [0.9]	4.3 [0.17]	1.5 [0.06]	6 [0.24]
10 [2,248]	25.3 [0.99]	24 [0.99]	31 [0.99]	23 [0.9]	4.3 [0.17]	1.5 [0.06]	6 [0.24]
20 [4,496]	25.3 [0.99]	26 [1]	35 [1.37]	34 [1.34]	3.8 [0.15]	2 [0.08]	10 [0.39]
30 [6,744]	26 [1.02]	27 [1.06]	44 [1.73]	34 [1.34]	3.8 [0.15]	2 [0.08]	10 [0.39]

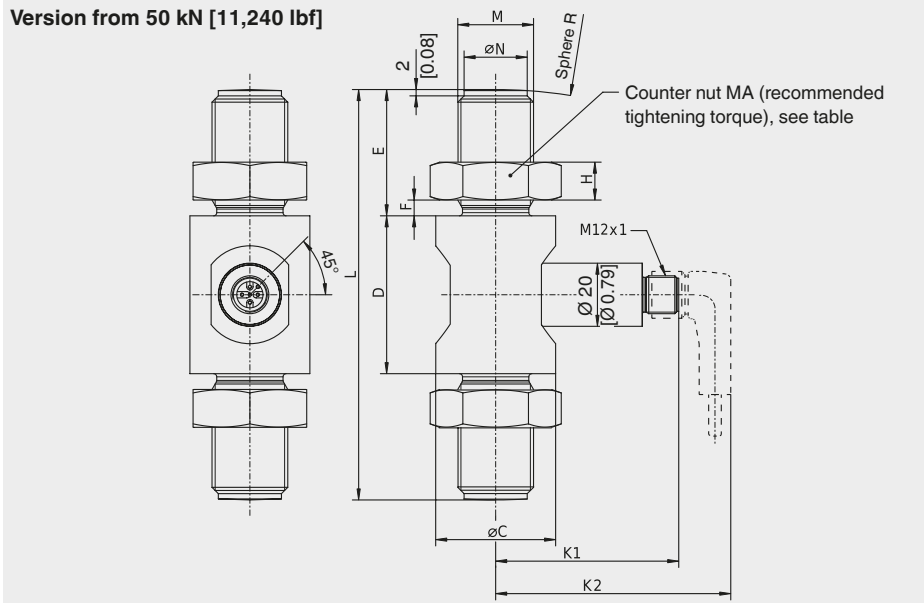
Rated force in kN [lbf]	Dimensions in mm [in]							MA (Nm)
	K1	K2	L	M	Ø N _{-0.1}	Sphere R	Rated displacement	
1, 2, 3 [225], [450], [674]	56 [2.2]	76 [2.99]	70 [2.75]	M12	9.5 [0.37]	60 [2.36]	< 0.02 [0.00079]	15
5 [1,124]	56 [2.2]	76 [2.99]	70 [2.75]	M12	9.5 [0.37]	60 [2.36]	< 0.02 [0.00079]	15
10 [2,248]	56 [2.2]	76 [2.99]	77 [3.03]	M12	9.5 [0.37]	80 [3.15]	< 0.02 [0.00079]	15
20 [4,496]	56 [2.2]	76 [2.99]	103 [4.05]	M20 x 1.5	17 [0.67]	100 [3.94]	< 0.2 [0.0079]	60
30 [6,744]	56.5 [2.22]	76.5 [3.01]	112 [4.41]	M20 x 1.5	17 [0.67]	120 [4.72]	< 0.2 [0.0079]	60

79106223.02 04/2023 EN/DE

9. Specifications

Dimensions in mm [in] of model F2301

Version from 50 kN [11,240 lbf]



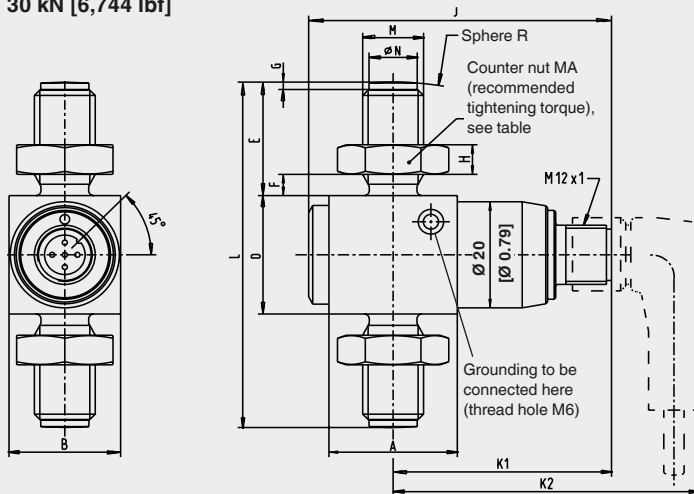
Rated force in kN [lbf]	Dimensions in mm [in]								
	ØC	D	E	F	G	H	K1	K2	L
50 [11,240]	38 [1.5]	50 [1.97]	40 [1.57]	5 [0.2]	2 [0.08]	12 [0.47]	58 [2.28]	68 [2.68]	130 [5.12]
100 [22,481]	46 [1.81]	54 [2.16]	71 [2.8]	7.5 [0.3]	3 [0.12]	19.5 [0.76]	62.5 [2.46]	82.5 [3.25]	196 [7.72]
200 [44,962]	67 [2.64]	67 [2.64]	82 [3.23]	7.5 [0.3]	3 [0.12]	22.5 [0.88]	73 [2.87]	93 [3.66]	231 [9.09]
300 [67,443]	73 [2.87]	73 [2.87]	98 [3.86]	14 [0.55]	3 [0.12]	28 [1.1]	49 [1.93]	69 [2.72]	269 [10.6]
500 [112,404]	94 [3.7]	94 [3.7]	113 [4.45]	17 [0.67]	3 [0.12]	32 [1.26]	59 [2.32]	79 [3.11]	320 [12.6]

Rated force in kN [lbf]	Dimensions in mm [in]				MA (Nm)
	M	Ø N _{-0.1}	Sphere R	Rated displacement	
50 [11,240]	M24 x 2	20 [0.79]	150 [5.9]	< 0.2 [< 0.0079]	110
100 [22,481]	M39 x 3	34 [1.34]	200 [7.87]	< 0.2 [< 0.0079]	390
200 [44,962]	M45 x 3	40 [1.57]	250 [9.84]	< 0.2 [< 0.0079]	495
300 [67,443]	M56 x 4	50 [1.97]	300 [11.8]	< 0.2 [< 0.0079]	640
500 [112,404]	M64 x 4	58 [2.28]	400 [15.75]	< 0.2 [< 0.0079]	760

79106223.02 04/2023 EN/DE

Dimensions in mm [in] of model F23C1

Version to 30 kN [6,744 lbf]



Rated force in kN [lbf]	Dimensions in mm [in]							
	A	B	D	E	F	G	H	J
1, 2, 3 [225], [450], [674]	25.3 [0.99]	22 [0.87]	24 [0.99]	23 [0.9]	4.3 [0.17]	1.5 [0.06]	6 [0.24]	59.7 [2.35]
5 [1,124]	25.3 [0.99]	22 [0.87]	24 [0.99]	23 [0.9]	4.3 [0.17]	1.5 [0.06]	6 [0.24]	59.7 [2.35]
10 [2,248]	25.3 [0.99]	22 [0.87]	31 [0.99]	23 [0.9]	4.3 [0.17]	1.5 [0.06]	6 [0.24]	59.7 [2.35]
20 [4,496]	25.3 [0.99]	26 [1]	33 [1.3]	34 [1.34]	3.8 [0.15]	2 [0.08]	10 [0.39]	59.7 [2.35]
30 [6,744]	27.6 [1.09]	27.5 [1.08]	40 [1.57]	34 [1.34]	3.8 [0.15]	2 [0.08]	10 [0.39]	61.5 [2.42]

Rated force in kN [lbf]	Dimensions in mm [in]							MA (Nm)
	K1	K2	L	M	Ø N _{-0.1}	Sphere R	Rated displacement	
1, 2, 3 [225], [450], [674]	43 [1.7]	63 [2.48]	70 [2.75]	M12	9.5 [0.37]	60 [2.36]	< 0.02 [0.00079]	15
5 [1,124]	43 [1.7]	63 [2.48]	70 [2.75]	M12	9.5 [0.37]	60 [2.36]	< 0.02 [0.00079]	15
10 [2,248]	43 [1.7]	63 [2.48]	77 [3.03]	M12	9.5 [0.37]	80 [3.15]	< 0.02 [0.00079]	15
20 [4,496]	43 [1.7]	63 [2.48]	101 [3.98]	M20 x 1.5	17 [0.67]	100 [3.94]	< 0.2 [0.0079]	60
30 [6,744]	44 [1.73]	64 [2.52]	108 [4.25]	M20 x 1.5	17 [0.67]	120 [4.72]	< 0.2 [0.0079]	60

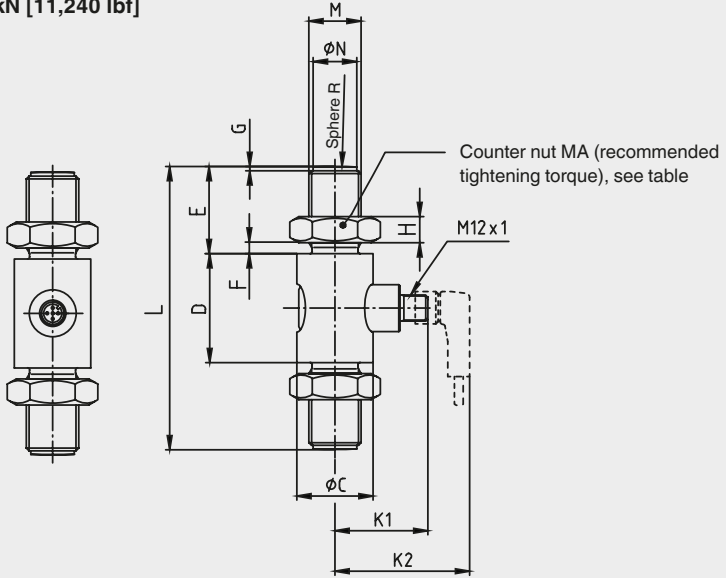
79106223.02 04/2023 EN/DE

9. Specifications

Dimensions in mm [in] of model F23C1

Version from 50 kN [11,240 lbf]

EN



Rated force in kN [lbf]	Dimensions in mm [in]								
	ØC	D	E	F	G	H	K1	K2	L
50 [11,240]	35 [1.38]	50 [1.97]	40 [1.57]	5 [0.2]	2 [0.08]	12 [0.47]	43 [1.7]	62 [2.44]	130 [5.12]
100 [22,481]	54 [2.16]	54 [2.16]	68 [2.68]	10 [0.39]	3 [0.12]	19.5 [0.76]	44 [1.73]	64 [2.52]	190 [7.48]
200 [44,962]	67 [2.64]	67 [2.64]	82 [3.23]	12 [0.47]	3 [0.12]	22.5 [0.88]	45 [1.77]	65 [2.56]	231 [9.09]
300 [67,443]	73 [2.87]	73 [2.87]	98 [3.86]	14 [0.55]	3 [0.12]	28 [1.1]	49 [1.93]	69 [2.72]	269 [10.6]
500 [112,404]	94 [3.7]	94 [3.7]	113 [4.45]	17 [0.67]	3 [0.12]	32 [1.26]	59 [2.32]	79 [3.11]	320 [12.6]

Rated force in kN [lbf]	Dimensions in mm [in]				MA (Nm)
	M	Ø N _{-0.1}	Sphere R	Rated displacement	
50 [11,240]	M24 x 2	20 [0.79]	150 [5.9]	< 0.2 [< 0.0079]	110
100 [22,481]	M39 x 3	34 [1.34]	200 [7.87]	< 0.2 [< 0.0079]	390
200 [44,962]	M45 x 3	40 [1.57]	250 [9.84]	< 0.2 [< 0.0079]	495
300 [67,443]	M56 x 4	50 [1.97]	300 [11.8]	< 0.2 [< 0.0079]	640
500 [112,404]	M64 x 4	58 [2.28]	400 [15.75]	< 0.2 [< 0.0079]	760

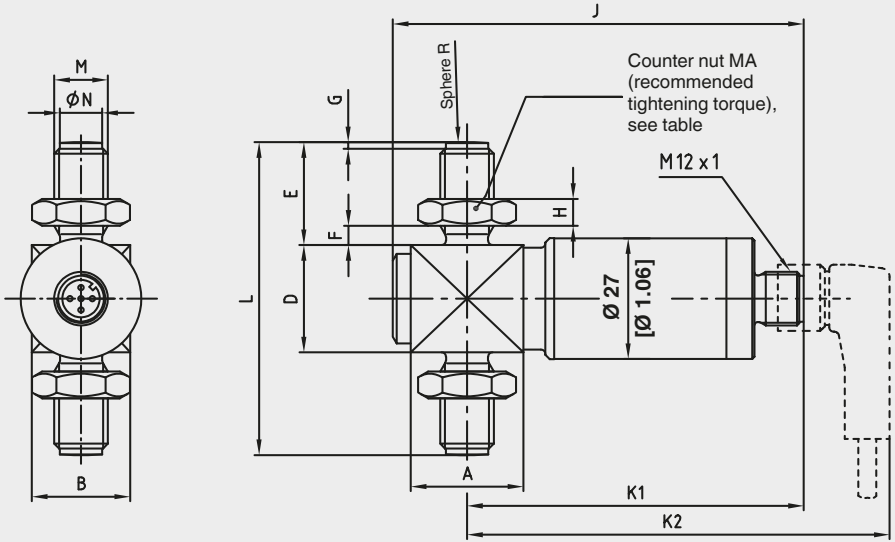
79106223.02 04/2023 EN/DE

9. Specifications

EN

Dimensions in mm [in] of model F2301 (signal jump)

Version signal jump to 30 kN [6,744 lbf]



Rated force in kN [lbf]	Dimensions in mm [in]										
	A	B	D	E	F	G	H	J	K1	K2	L
5 [1,124]	25.2 [0.99]	22 [0.87]	24 [0.94]	23 [0.9]	4.3 [0.17]	1.5 [0.06]	6 [0.24]	89 [3.5]	72 [2.83]	91.5 [3.6]	70 [2.75]
10 [2,248]	25.2 [0.99]	22 [0.87]	31 [1.22]	23 [0.9]	4.3 [0.17]	1.5 [0.06]	6 [0.24]	89 [3.5]	72 [2.83]	91.5 [3.6]	77 [3.03]
20 [4,496]	25.2 [0.99]	26 [1.02]	33 [1.3]	34 [1.34]	3.8 [0.15]	2 [0.08]	10 [0.39]	91.5 [3.6]	73 [2.87]	91.5 [3.6]	101 [3.98]
30 [6,744]	27.5 [1.08]	27.5 [1.08]	40 [1.57]	34 [1.34]	3.8 [0.15]	2 [0.08]	10 [0.39]	91.5 [3.6]	73 [2.87]	92.5 [3.6]	108 [4.25]

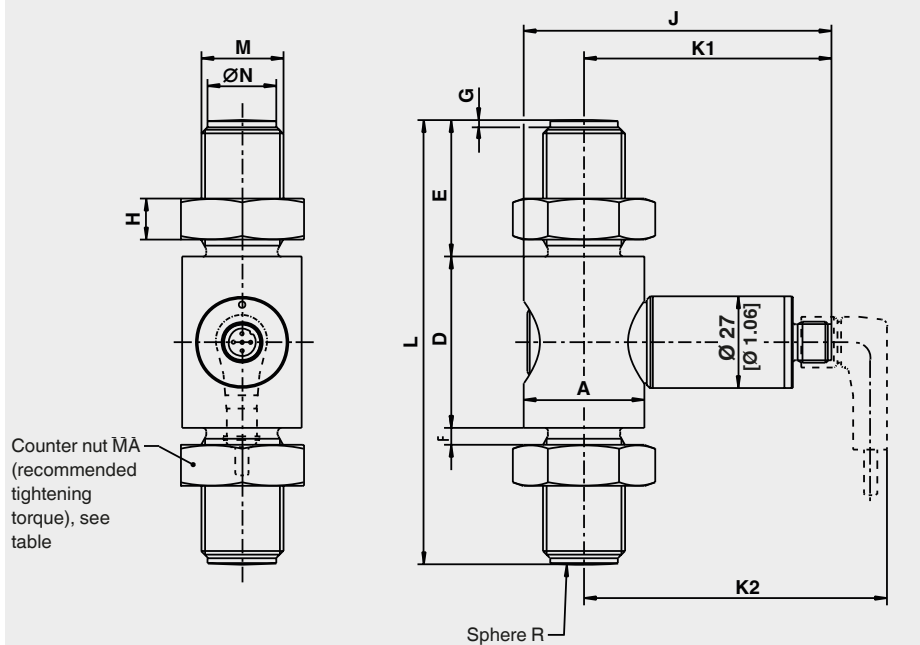
Rated force in kN [lbf]	Dimensions in mm [in]			MA (Nm)
	M	Ø N _{-0.1}	Sphere R	
5 [1,124]	M12	9.5 [0.37]	60 [2.36]	15
10 [2,248]	M12	9.5 [0.37]	80 [3.15]	15
20 [4,496]	M20 x 1.5	17 [0.67]	100 [3.94]	60
30 [6,744]	M20 x 1.5	17 [0.67]	120 [4.72]	60

79106223.02 04/2023 EN/DE

9. Specifications

Dimensions in mm [in] of model F2301 (signal jump)

Version from 50 kN [11,240 lbf]



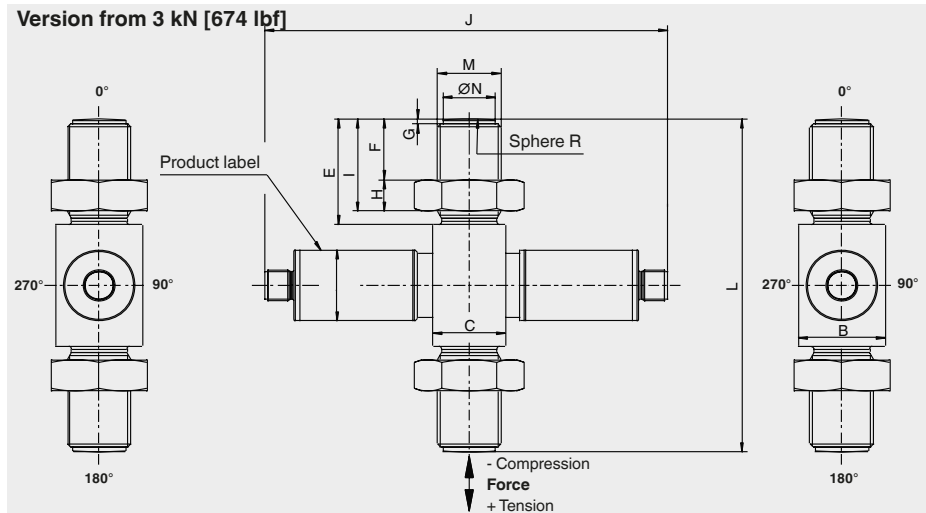
Rated force in kN [lbf]	Dimensions in mm [in]									
	ØA	D	E	F	G	H	J	K1	K2	L
50 [11,240]	35 [1.38]	50 [1.97]	40 [1.57]	5 [0.2]	2 [0.08]	12 [0.47]	91.5 [3.6]	73 [2.87]	90.2 [3.55]	130 [5.12]
100 [22,481]	54 [2.16]	54 [2.16]	68 [2.68]	10 [0.39]	3.7 [0.15]	19.5 [0.76]	91.5 [3.6]	71 [2.79]	91 [3.58]	197 [7.75]

Rated force in kN [lbf]	Dimensions in mm [in]				MA (Nm)
	M	Ø N -0.1	Sphere R	Rated displacement	
50 [11,240]	M24 x 2	20 [0.79]	150 [5.9]	< 0.2 [< 0.0079]	110
100 [22,481]	M39 x 3	34 [1.34]	200 [7.87]	< 0.2 [< 0.0079]	390

9. Specifications

EN

Dimensions in mm [in] of model F23S1



Rated force in kN [lbf]	Dimensions in mm [in]									
	B	C	E	F	G	H	I	J	L	L
3-7 [674.48-1,574]	22 [0.87]	25.3 [0.99]	23 [0.9]	12.7 [0.5]	1.5 [0.06]	6 [0.27]	18.7 [0.736]	152.5 [6]	75 [2.95]	70 [2.75]
6-13 [1,349-2,923]	25.3 [0.99]	25.3 [0.99]	26 [1]	13.5 [0.53]	1.5 [0.06]	8 [0.315]	21.5 [0.85]	152.5 [6]	85 [3.35]	70 [2.75]
12-26 [2,698-5,845]	27.5 [1.08]	27.6 [1.09]	34 [1.34]	20.2 [0.79]	2 [0.079]	10 [0.39]	30.2 [1.19]	152.5 [6]	108 [4.25]	77 [3.03]
18-40 [4,047-8,992]	33 [1.3]	27.6 [1.09]	40 [1.57]	23 [0.9]	2 [0.079]	12 [0.47]	35 [1.38]	152.5 [6]	126 [4.96]	
31-70 [6,969-15,737]	40 [1.57]	40 [1.57]	48 [1.89]	25 [0.98]	2 [0.079]	15 [0.59]	40 [1.57]	157.4 [6.2]	154 [6.06]	101 [3.98]
67-151 [15,062-33,946]	60 [2.36]	60 [2.36]	78 [3.07]	47.8 [1.88]	3 [0.19]	19.7 [0.78]	67.5 [2.66]	177.4 [6.98]	223 [8.78]	108 [4.25]

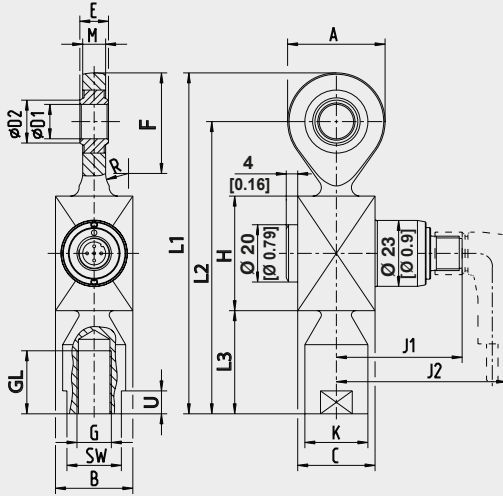
Rated force in kN [lbf]	Dimensions in mm [in]		
	M	Ø N _{-0,1}	Sphere R
3-7 [674.48-1,574]	M12	9.5 [0.37]	60 [2.36]
6-13 [1,349-2,923]	M16 x 1,5	13 [0.51]	80 [3.15]
12-26 [2,698-5,845]	M20 x 1,5	17 [0.67]	120 [4.72]
18-40 [4,047-8,992]	M24 x 2	20 [0.79]	120 [4.72]
31-70 [6,969-15,737]	M30 x 2	26 [1.02]	150 [5.9]
67-151 [15,062-33,946]	M42 x 2	38 [1.5]	250 [9.84]

79106223.02 04/2023 EN/DE

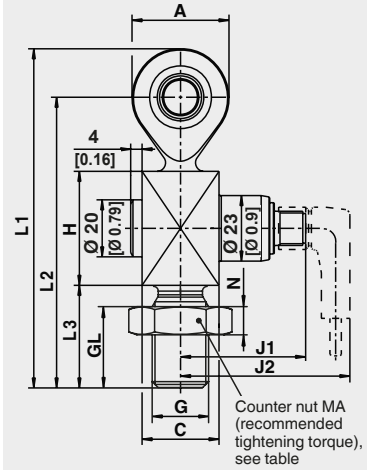
9. Specifications

Dimensions in mm [in] of model F2303

Version from 10 kN [2,248 lbf], female thread



Version from 10 kN [2,248 lbf], male thread



Counter nut MA (recommended tightening torque, see table)

Rated force in kN [lbf]	Thread version	Dimensions in mm [in]									
		A	B	C	ØD1 -0.008	ØD2	E	F	G	GL	H
10 [2,248]	female	34 [1.34]	27 [1.06]	27 [1.06]	12 [0.5]	15 [0.6]	10 [0.4]	35.1 [1.38]	M10 x 1.25	21 [0.83]	40 [1.57]
10 [2,248]	male	34 [1.34]	28 [1]	28.7 [1.13]	20 [0.79]	35 [1.37]	19 [0.75]	46 [1.8]	M20 x 1.5	24.5 [0.96]	33 [1.3]
18 [4,047]	female	34 [1.34]	27 [1.06]	27 [1.06]	12 [0.5]	15 [0.6]	10 [0.4]	35 [1.37]	M12 x 1.25	22 [0.87]	40 [1.57]
18 [4,047]	male	34 [1.34]	27 [1.06]	27 [1.06]	12 [0.5]	15 [0.6]	10 [0.4]	35 [1.37]	M20 x 1.25	22 [0.87]	40 [1.57]
20 [4,496]	male	34 [1.34]	28 [1]	28.7 [1.13]	20 [0.79]	35 [1.37]	19 [0.75]	46 [1.8]	M20 x 1.25	24.5 [0.96]	33 [1.3]

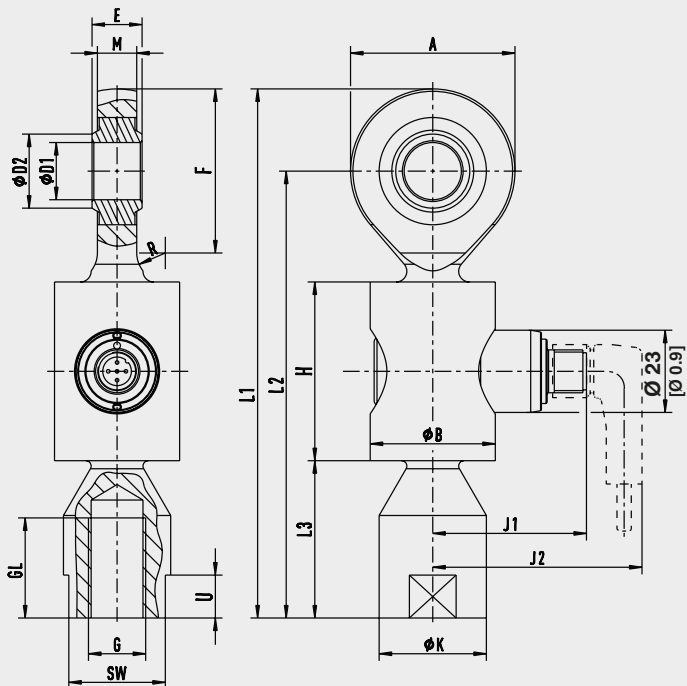
Rated force in kN [lbf]	Thread version	Dimensions in mm [in]										MA [Nm]
		J1	J2	ØK	L1	L2	L3	M	SW	U	N	
10 [2,248]	female	44 [1.73]	63 [2.48]	22 [0.87]	119 [4.68]	102 [4]	36 [1.42]	8 [0.31]	19 [0.75]	8 [0.31]	-	-
10 [2,248]	male	44 [1.73]	63 [2.48]	-	117.5 [4.63]	92.5 [3.64]	30.5 [1.2]	14 [0.55]	19 [0.75]	-	10 [0.4]	60
18 [4,047]	female	44 [1.73]	63 [2.48]	22 [0.87]	119 [4.68]	102 [4]	36 [1.42]	8 [0.31]	19 [0.75]	8 [0.31]	-	-
18 [4,047]	male	44 [1.73]	63 [2.48]	-	119 [4.68]	102 [4]	36 [1.42]	8 [0.31]	19 [0.75]	-	10 [0.4]	60
20 [4,496]	male	44 [1.73]	63 [2.48]	-	117.5 [4.63]	92.5 [3.64]	30.5 [1.2]	14 [0.55]	19 [0.75]	-	10 [0.4]	60

9. Specifications

EN

Dimensions in mm [in] of model F2303

Version from 34 kN [7,644 lbf]



Rated force in kN [lbf]	Thread version	Dimensions in mm [in]							
		A	B	ØD1 -0.008	ØD2	E	F	G	GL
34 [7,644]	female	46 [1.81]	35 [1.38]	17 [0.67]	20.7 [0.82]	14 [0.55]	46 [1.81]	M16 x 1.5	28 [1.1]
45 [10,116]	female	53 [2.09]	54 [2.16]	20 [0.79]	24.2 [0.95]	16 [0.63]	54 [2.16]	M16 x 1.5	33 [1.3]

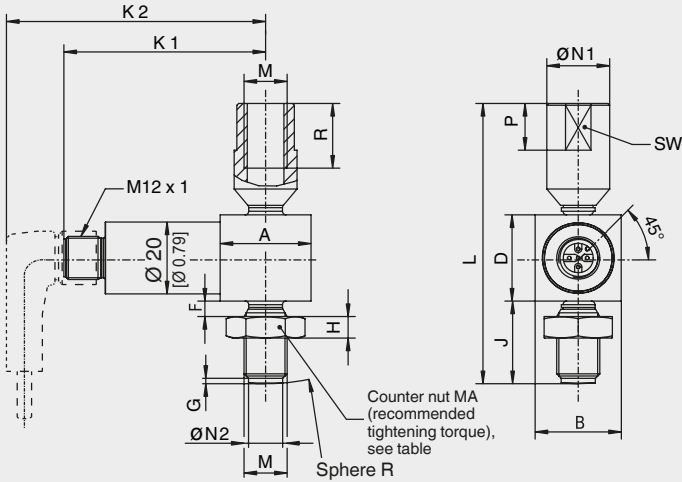
Rated force in kN [lbf]	Thread version	Dimensions in mm [in]									
		H	J1	J2	ØK	L1	L2	L3	M	SW	U
34 [7,644]	female	50 [1.97]	43 [1.7]	62 [2.44]	30 [1.18]	148 [5.83]	125 [4.92]	44 [1.73]	11 [0.43]	27 [1.06]	12 [0.47]
45 [10,116]	female	54 [2.16]	44 [1.73]	63 [2.48]	35 [1.38]	171 [6.73]	144.5 [5.69]	54 [2.16]	13 [0.51]	32 [1.26]	13 [0.51]

79106223.02 04/2023 EN/DE

9. Specifications

Dimensions in mm [in] of model F2304

Version to 30 kN [6,744 lbf]



Rated force in kN [lbf]	Dimensions in mm [in]										
	A	B	D	F	G	H	J	K1	K2	L	
1 [225], 2 [450], 3 [674]	25.3 [0.99]	24 [0.94]	24 [0.94]	4.3 [0.17]	1.5 [0.06]	6 [0.24]	23 [0.9]	56 [2.2]	76 [2.99]	78 [3.07]	
5 [1,124]	25.3 [0.99]	24 [0.94]	24 [0.94]	4.3 [0.17]	1.5 [0.06]	6 [0.24]	23 [0.9]	56 [2.2]	76 [2.99]	78 [3.07]	
10 [2,248]	25.3 [0.99]	24 [0.94]	31 [1.22]	4.3 [0.17]	1.5 [0.06]	6 [0.24]	23 [0.9]	56 [2.2]	76 [2.99]	85 [3.35]	
20 [4,496]	25.3 [0.99]	26 [1.02]	35 [1.38]	3.8 [0.15]	2 [0.08]	10 [0.4]	34 [1.34]	56 [2.2]	76 [2.99]	113 [3.35]	
30 [7,644]	26 [1.02]	27 [1.06]	40 [1.57]	3.8 [0.15]	2 [0.08]	10 [0.4]	34 [1.34]	56.5 [2.22]	76.5 [3.01]	118 [4.64]	

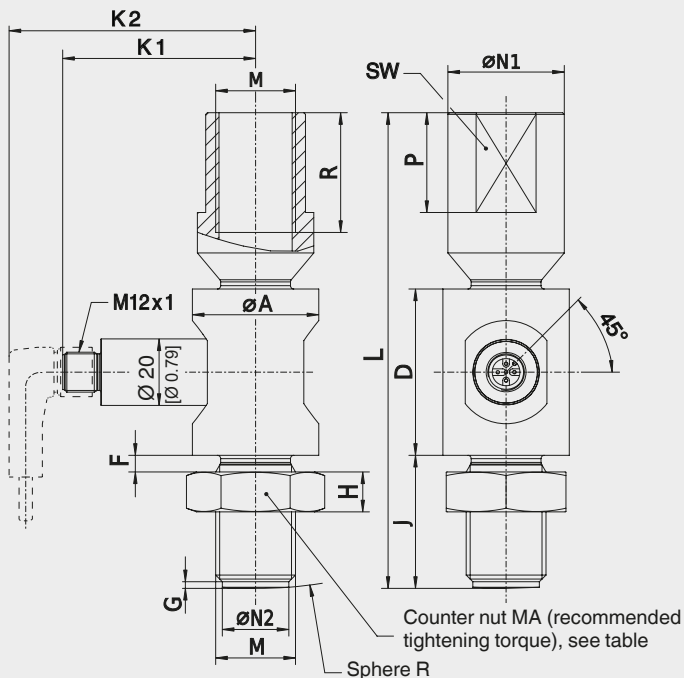
Rated force in kN [lbf]	Dimensions in mm [in]								MA [Nm]
	M	P	R	SW	$\varnothing N1$	$\varnothing N2_{0.1}$	Sphere R	Rated displacement	
1 [225], 2 [450], 3 [674]	M12	13 [0.51]	18 [0.71]	16 [0.63]	17.5 [0.29]	9.5 [0.37]	60 [2.36]	< 0.5 [< 0.02]	15
5 [1,124]	M12	13 [0.51]	18 [0.71]	16 [0.63]	17.5 [0.29]	9.5 [0.37]	60 [2.36]	< 0.5 [< 0.02]	15
10 [2,248]	M12	13 [0.51]	18 [0.71]	16 [0.63]	17.5 [0.29]	9.5 [0.37]	80 [3,15]	< 0.5 [< 0.02]	15
20 [4,496]	M20x1.5	20 [0.79]	30 [1.18]	26 [1.02]	31 [1.22]	17 [0.67]	100 [3.94]	< 0.5 [< 0.02]	60
30 [7,644]	M20x1.5	20 [0.79]	30 [1.18]	26 [1.02]	31 [1.22]	17 [0.67]	120 [4.72]	< 0.5 [< 0.02]	60

9. Specifications

EN

Dimensions in mm [in] of model F2304

Version from 50 kN [11,240 lbf]



Rated force in kN [lbf]	Dimensions in mm [in]								
	ØA	D	F	G	H	J	K1	K2	L
50 [11,240]	38 [1.5]	50 [1.97]	5 [0.2]	2 [0.08]	12 [0.47]	40 [1.57]	58 [2.28]	68 [2.68]	143 [5.63]
100 [22,481]	46 [1.81]	54 [2.16]	7.5 [0.3]	3 [0.12]	19.5 [0.76]	71 [2.8]	62.5 [2.46]	82.5 [3.25]	209.5 [8.25]
200 [44,962]	67 [2.64]	67 [2.64]	7.5 [0.3]	3 [0.12]	22.5 [0.88]	82 [3.23]	73 [2.87]	93 [3.66]	243 [9.57]

Rated force in kN [lbf]	Dimensions in mm [in]								MA [Nm]
	M	R	SW	P	ØN1	ØN2 _{-0,1}	Sphere R	Rated displacement	
50 [11,240]	M24 x 2	36 [1.42]	30 [1.18]	30 [1.18]	35 [1.38]	20 [0.79]	150 [5.9]	< 0.5 [< 0.02]	110
100 [22,481]	M39 x 3	58.5 [2.3]	50 [1.97]	50 [1.97]	56 [2.2]	34 [1.34]	200 [7.87]	< 0.5 [< 0.02]	390
200 [44,962]	M45 x 3	67.5 [2.66]	55 [2.16]	56 [2.2]	65 [2.56]	40 [1.57]	250 [9.84]	< 0.5 [< 0.02]	495

79106223.02 04/2023 EN/DE

10. Accessories

WIKA accessories can be found online at www.wika.com.

10.2 Cable

Cable with M12 x 1 connector

Cable socket M12 x 1		Order number		
		l = 2 m [78.74 in]	l = 5 m [78.74 in]	l = 10 m [393.7 in]
4-pin with cable	Straight	14259451	14259453	14259454
	Angled	14259452	14293481	14259455
5-pin with cable	Straight	14259458	14259459	14259472
	Angled	79101493	79100686	11009969

Other cable lengths and cable versions are available on request.

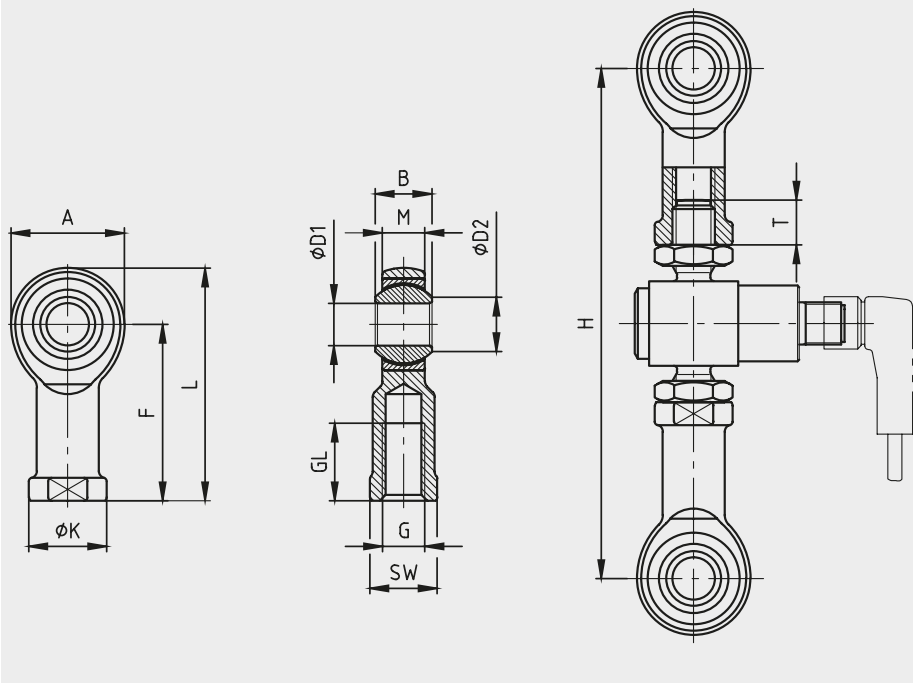
10.1 Swivel heads

Dimensions in mm [in]

Accessory: Swivel heads in accordance with DIN ISO 12240-4

Ø -D1 = 12 ... 25 mm [0.47 ... 0.98 in] - dimension range K

Ø -D2 = 40 ... 80 mm [1.57 ... 3.15 in] - dimension range E



10. Accessories

EN

Rated force		Dimensions in mm [in]					
kN	lbf	A	B	Ø D ₁	Ø D ₂	F	G
1, 2, 3, 5, 10	[225], [450], [674], [1,124], [2,248]	32 [1.26]	16 [0.63]	12 H7 [0.47 H7]	15.4 [0.61]	50 [1.97]	M12
20, 30	[4,496], [6,744]	50 [1.97]	25 [0.98]	20 H7 [0.79 H7]	24.3 [0.96]	77 [3.03]	M20 x 1,5
50	[11,240]	60 [2.36]	31 [1.22]	25 H7 [0.98 H7]	29.6 [1.16]	94 [3.7]	M24 x 2
100	[22,481]	92 [3.62]	28 [1.10]	40 _{-0.012} [1.57-0.0005]	45 [1.77]	142 [5.59]	M39 x 3
200	[44,962]	112 [4.41]	35 [1.38]	50 _{-0.012} [1.97-0.0005]	56 [2.2]	160 [6.3]	M45 x 3
300	[67,443]	160 [6.3]	49 [1.93]	70 _{-0.015} [2.75-0.0006]	77.9 [3.07]	200 [7.87]	M56 x 4
500	[112,404]	180 [7.09]	55 [2.16]	80 _{-0.015} [3.15-0.0006]	89.4 [3.52]	230 [9.05]	M64 x 4

Rated force in		Dimensions in mm [in]					Weight in kg [lbs]
kN	lbf	GL	ØK	L	M	SW	
1, 2, 3, 5, 10	[225], [450], [674], [1,124], [2,248]	22 [0.87]	22 [0.87]	55 [2.16]	12 [0.47]	19 [0.75]	0.115 [0.254]
20, 30	[4,496], [6,744]	33 [1.3]	34 [1.34]	102 [4.02]	18 [0.71]	32 [1.26]	0.415 [0.915]
50	[11,240]	42 [1.65]	42 [1.65]	124 [4.88]	22 [0.87]	36 [1.42]	0.750 [1.653]
100	[22,481]	65 [2.56]	65 [2.56]	188 [7.4]	23 [0.9]	55 [2.16]	2 [4.41]
200	[44,962]	68 [2.68]	75 [2.95]	216 [8.5]	30 [1.18]	65 [2.56]	3.5 [7.72]
300	[67,443]	80 [3.15]	98 [3.86]	280 [11]	42 [1.65]	85 [3.35]	8.6 [18.96]
500	[112,404]	85 [3.35]	110 [4.33]	320 [12.6]	47 [1.85]	100 [3.94]	12 [26.45]

Rated force		Dimensions in		Minimum thread depth	
mm	lbf	H [mm]	H [in]	T [mm]	T [in]
1, 2, 3, 5	225, 450, 674, 1,124	148 ± 3	5.83 ± 0.12	9.5	0.37
10	2,248	155 ± 3	6.10 ± 0.12	9.5	0.37
20	4,496	219 ± 4	8.62 ± 0.16	16	0.63
30	6,744	226 ± 4	8.88 ± 0.16	16	0.63
50	11,240	276 ± 4	10.87 ± 0.16	19.5	0.77
100	22,481	405 ± 7	15.94 ± 0.28	31	1.22
200	44,962	466 ± 13	18.35 ± 0.51	36	1.48
300	67,443	568 ± 11	22.36 ± 0.43	45	1.77
500	112,404	665 ± 13	26.18 ± 0.51	51	2.01

79106223.02 04/2023 EN/DE



EN

EU-Konformitätserklärung EU Declaration of Conformity

Dokument Nr. 14569202
Document No.

Revision 1
Issue

Wir erklären in alleiniger Verantwortung, dass die mit CE gekennzeichneten Produkte
We declare under our sole responsibility that the CE marked products

Typenbezeichnung
Type Designation F2301, F2303, F2304

Beschreibung
Description Zug-/Druck-Kraftaufnehmer
Tension/compression force transducer

gemäß gültigem Datenblatt
according to the valid data sheet FO51.17, FO51.46, FO51.47

mit den nachfolgenden relevanten Harmonisierungsvorschriften der Union übereinstimmen
are in conformity with the following relevant Union harmonisation legislation

Angewandte harmonisierte Normen
Applied harmonised standards

2014/30/EU Elektromagnetische Verträglichkeit (EMV)
Electromagnetic Compatibility (EMC)

EN 61326-1:2013
EN 61326-2-3:2013
EN 55011:2016 + A1:2017 + A11:2020
+ A2:2021

Unterszeichnet für und im Namen von / Signed for and on behalf of

Bevollmächtigter / Authorised representative

tecsis GmbH

Offenbach, 2022-09-30

Michael Kirsch, QM Manager
tec sis GmbH, CoE Force Management

Hersteller / Manufacturer

WIKA Alexander Wiegand SE & Co. KG

Stefan Rjchter, General Management
tec sis GmbH, CoE Force Management

WIKA Alexander Wiegand SE & Co. KG
Alexander-Wiegand-Straße 3D
63911 Klingenberg
Germany
WEEE-Reg.-Nr. DE 92770372
09/2022

Tel +49 9372 132-0
Fax +49 9372 132-406
E-Mail info@wika.de
www.wika.de

Kommanditgesellschaft, Sitz Klingenberg –
Amtsgericht Aschaffenburg HRA 1819

Komplementärin:
WIKA International SE - Sitz Klingenberg -
Amtsgericht Aschaffenburg HRB 10505
Vorstand: Alexander Wiegand
Vorsitzender des Aufsichtsrats: Prof. Dr. Roderich C. Thummel
22AR-04455

79106223.02 04/2023 EN/DE



UK Declaration of Conformity

Document No. 14573254

Issue 1

We declare under our sole responsibility that the UKCA marked products

Type Designation	F2301, F2303, F2304
Description	Tension/compression force transducer
according to the valid data sheet	FO51.17, FO51.46, FO51.47
comply with the applicable UK Statutory Requirements	Applied designated standards ⁽⁰⁾

Electromagnetic Compatibility Regulations 2016 No. 1091 (as amended)

EN 61326-1:2013
EN 61326-2-3:2013
EN 55011:2016 + A1:2017 + A11:2020 + A2:2021

- (0) At the time of writing this document designated standards are prefixed "BS", "EN", "EN ISO" or "EN IEC". Where the designated standard specified in the notice of publication is prefixed "EN" it is acceptable to reference this version in technical documentation, or a version of the same standard with a national prefix. For more information see <https://www.gov.uk/guidance/designated-standards>.

Signed for and on behalf of

Authorised representative

tectsis GmbH

Offenbach, 2022-09-30

Michael Kirsch, QM Manager
tectsis GmbH, CoE Force Management

Manufacturer

WIKA Alexander Wiegand SE & Co. KG

Stefan Richter; General Management
tectsis GmbH, CoE Force Management

WIKA Alexander Wiegand SE & Co. KG
Alexander-Wiegand-Straße 30
63911 Klingenberg
Germany
WEEE-Reg.-Nr. DE 92770372
09/2022

Tel. +49 9372 132-0
Fax +49 9372 132-406
E-Mail info@wika.de
www.wika.de

Kommanditgesellschaft: Sitz Klingenberg –
Amtsgericht Aschaffenburg HRA 1919

Komplementärin:
WIKA International SE - Sitz Klingenberg -
Amtsgericht Aschaffenburg HRB 10505
Vorstand: Alexander Wiegand
Vorsitzender des Aufsichtsrats: Prof. Dr. Roderich C. Thümmel
22AR-04455

Inhalt

1. Allgemeines	50
2. Aufbau und Funktion	51
2.1 Übersicht Typen F2301, F23C1, F23S1	51
2.2 Übersicht Typ F2303.	52
2.3 Übersicht Typ F2304.	52
2.4 Beschreibung	53
2.5 Lieferumfang	53
3. Sicherheit	53
3.1 Symbolerklärung	53
3.2 Bestimmungsgemäße Verwendung	54
3.3 Fehlgebrauch	55
3.4 Verantwortung des Betreibers	56
3.5 Personalqualifikation	56
3.6 Persönliche Schutzausrüstung	57
3.7 Beschilderung, Sicherheitskennzeichnungen	57
3.8 Signalsprung-Elektronik	58
3.9 RoHS Bewertung	58
4. Transport, Verpackung und Lagerung	59
4.1 Transport	59
4.2 Verpackung und Lagerung	59
5. Inbetriebnahme, Betrieb	60
5.1 Vorkehrung vor der Montage	60
5.2 Montagehinweise.	60
5.3 Montage der Typen F2301, F23C1, F23S1	61
5.4 Montage der Typen F2301, F23C1, F23S1 mit Gelenkköpfen.	62
5.5 Montage des Typs F2303	63
5.6 Montage des Typs 2304	64
5.7 Elektrischer Anschluss	65
5.8 Elektrischer Anschluss Ex-Bereich	68
6. Störungen	69
7. Wartung und Reinigung	70
7.1 Wartung	70
7.2 Reinigung	70
7.3 Rekalibrierung	70
8. Demontage, Rücksendung und Entsorgung	71
8.1 Demontage	71
8.2 Rücksendung	71
8.3 Entsorgung	71
9. Technische Daten	72
9.1 Zulassungen	78
10. Zubehör	90
10.1 Kabel	90
10.2 Gelenkköpfe	90
Anlage: EU-Konformitätserklärung	92

1. Allgemeines

Die in der Betriebsanleitung beschriebenen Zug-/Druckkraftaufnehmer werden nach dem aktuellen Stand der Technik konstruiert und gefertigt. Alle Komponenten unterliegen während der Fertigung strengen Qualitäts- und Umweltkriterien. Unsere Managementsysteme sind nach ISO 9001 zertifiziert.

- Diese Betriebsanleitung gibt wichtige Hinweise zum Umgang mit dem Gerät. Voraussetzung für sicheres Arbeiten ist die Einhaltung aller angegebenen Sicherheitshinweise und Handlungsanweisungen.
- Die für den Einsatzbereich des Gerätes geltenden örtlichen Unfallverhütungsvorschriften und allgemeinen Sicherheitsbestimmungen einhalten.
- Die Betriebsanleitung ist Produktbestandteil und muss in unmittelbarer Nähe des Gerätes für das Fachpersonal jederzeit zugänglich aufbewahrt werden. Betriebsanleitung an nachfolgende Benutzer oder Besitzer des Gerätes weitergeben.
- Das Fachpersonal muss die Betriebsanleitung vor Beginn aller Arbeiten sorgfältig durchgelesen und verstanden haben.
- Es gelten die allgemeinen Geschäftsbedingungen in den Verkaufsunterlagen.
- Technische Änderungen vorbehalten.
- Werkskalibrierungen / DKD/DAkS-Kalibrierungen erfolgen nach internationalen Normen.

Weitere Informationen:

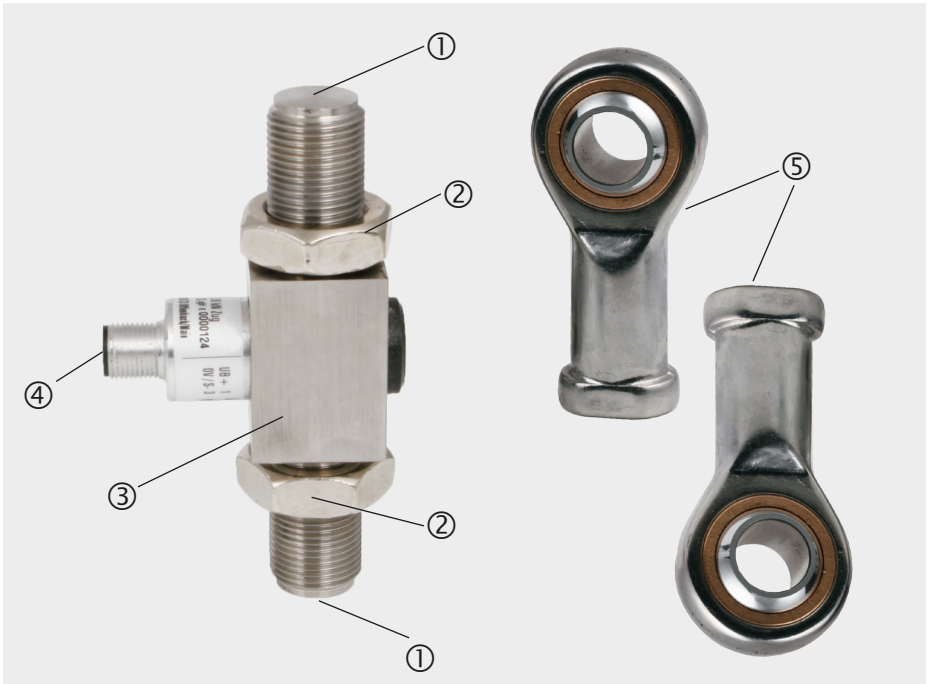
- Internet-Adresse: www.wika.de
- Zugehöriges Datenblatt: FO 51.17 (F2301, F23C1, F23S1)
FO 51.46 (F2303)
FO 51.47 (F2304)
- Anwendungsberater: Tel.: +49 9372 132-0
info@wika.de

Abkürzungen, Definitionen

2-Leiter	Die zwei Anschlussleitungen dienen zur Spannungsversorgung. Der Speisestrom ist das Messsignal.
3-Leiter	Zwei Anschlussleitungen dienen zur Spannungsversorgung. Eine Anschlussleitung dient für das Messsignal.
UB+	Positiver Versorgungsanschluss
UB-	Negativer Versorgungsanschluss
S+	Positiver Signalausgang
S-	Negativer Signalausgang
UR+	Positiver Versorgungsanschluss für Relais (Signalsprung)
UR-	Negativer Versorgungsanschluss für Relais (Signalsprung)
Schirm	Gehäuse
x-polig	Pinbelegung

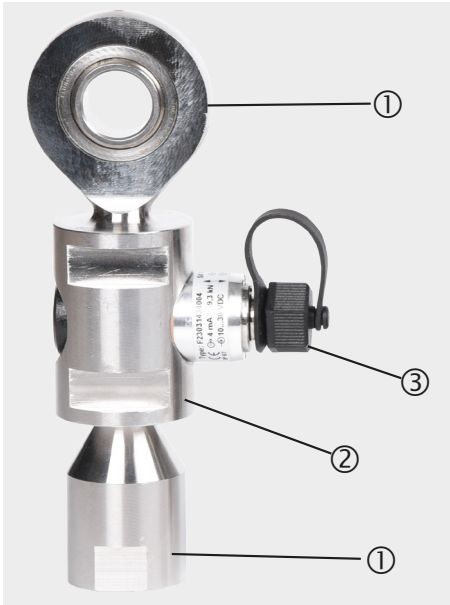
2. Aufbau und Funktion

2.1 Übersicht Typen F2301, F23C1, F23S1



- ① Krafteinleitung (ballige Oberfläche)
- ② Kontermutter
- ③ Messfeder
- ④ Elektrischer Anschluss
- ⑤ Gelenkköpfe (optional)

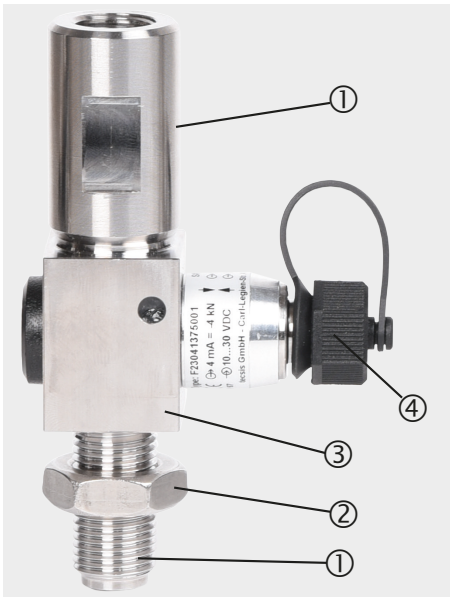
2.2 Übersicht Typ F2303



- ① Krafteinleitung
- ② Messfeder
- ③ Elektrischer Anschluss

DE

2.3 Übersicht Typ F2304



- ① Krafteinleitung
- ② Kontermutter
- ③ Messfeder
- ④ Elektrischer Anschluss

2.4 Beschreibung

Der Zug-/Druckkraftaufnehmer ist für das Messen statischer und dynamischer Zug- und/oder Druckkräfte vorgesehen. Der Zug-/Druckkraftaufnehmer besteht aus einer Messfeder und einem eingeschweißten Dünnsensors. Der Messkörper ist aus nicht-rostendem CrNi-Stahl gefertigt und wird durch in Krafrichtung eingeleitete Zug- und/oder Druckkräfte elastisch verformt. Die entstehenden mechanischen Spannungen werden dabei durch den eingebauten Dünnsensors gemessen und durch ein elektrisches Ausgangssignal ausgegeben.

2.5 Lieferumfang

- Zug-/Druckkraftaufnehmer
- Betriebsanleitung

3. Sicherheit

3.1 Symbolerklärung



WARNUNG!

... weist auf eine möglicherweise gefährliche Situation hin, die zum Tod oder zu schweren Verletzungen führen kann, wenn sie nicht gemieden wird.



VORSICHT!

... weist auf eine möglicherweise gefährliche Situation hin, die zu geringfügigen oder leichten Verletzungen bzw. Sach- und Umweltschäden führen kann, wenn sie nicht gemieden wird.



GEFAHR!

... weist auf eine möglicherweise gefährliche Situation im explosionsgefährdeten Bereich hin, die zum Tod oder zu schweren Verletzungen führen kann, wenn sie nicht gemieden wird.



Information

... hebt nützliche Tipps und Empfehlungen sowie Informationen für einen effizienten und störungsfreien Betrieb hervor.

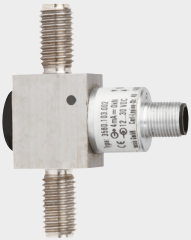
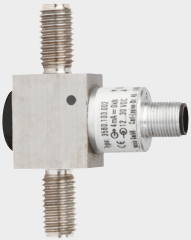


3. Sicherheit

3.2 Bestimmungsgemäße Verwendung

Die Zug-/Druckkraftaufnehmer sind für das Messen statischer und dynamischer Zug- und/oder Druckkräfte vorgesehen.

Defekte Geräte sind an den Hersteller zurückzusenden.

DE

Typ	Ausführung	Design
F2301		
Option 1	Ausführung mit Außengewinden	
Option 2	Ausführung mit Außengewinden und Signalsprung	
F23C1		
Option 1	Ausführung mit Außengewinden gem. ATEX-Richtlinie 2014/34/EU ATEX-Zulassung nach EN 60079-0:2012 und EN 60079-11:2012 (Ex ib) IECEx-Zulassung nach IEC 60079-0:2011 (Ed.6) und IEC 60079-11:2011 (Ed. 6) (Ex ib)	
Option 2	Ausführung mit Außengewinden UL-Zulassung nach UL 61010-1 und CSA C22.2 NO. 61010-1	
F23S1	Ausführung mit Außengewinden gem. Anforderung nach funktionaler Sicherheit gem. Maschinenrichtlinie 2006/42/EG, gilt nur in Kombina- tion mit einer sicheren Steuerung, z. B. ELMS1 Überlast- sicherung	
F2303	Ausführung mit Gelenkauge und Innengewinde	
F2304	Ausführung mit Außengewinde und Innengewinde	

79106223.02 04/2023 EN/DE

Kraftaufnehmer zur Messung von Zug- und/oder Druckkräften, beispielsweise Einpresskräften. Das Produkt ist sowohl für den Einsatz im Freien als auch in Gebäuden konzipiert.

Die Zug-/Druckkraftaufnehmer dienen zur Messung von Kräften in beide Richtungen. Die gemessene Kraft wird als elektrisches Signal ausgegeben. Die Geräte sind für den Betrieb in industrieller Umgebung ausgelegt. In anderen Umgebungen, wo sie z. B. privat oder gewerblich genutzt werden, können sie andere Geräte elektromagnetisch stören. In diesem Fall kann vom Betreiber verlangt werden, geeignete Maßnahmen zu ergreifen.

Die Zug-/Druckkraftaufnehmer sind nur in Anwendungen einzusetzen, die innerhalb der technischen Leistungsgrenzen liegen (z. B. max. Umgebungstemperatur, Materialverträglichkeit etc.). Leistungsgrenzen siehe Kapitel 9 „Technische Daten“.

Nur die Zug-/Druckkraftaufnehmer der Typen F23C1, Version 1, sind für den Einsatz in explosionsgefährdeten Bereichen zugelassen! Bei Ex-Geräten sind die Zusatzinformationen zu dieser Betriebsanleitung (Artikelnummer 14537280) zu beachten. Eine Übersicht ist in der Tabelle auf Seite 54 zu finden.

Die Zug-/Druckkraftaufnehmer sind ausschließlich für den hier beschriebenen bestimmungsgemäßen Gebrauch bestimmt und dürfen nur entsprechend verwendet werden. Ansprüche jeglicher Art wegen nicht bestimmungsgemäßer Verwendung sind ausgeschlossen.

Die technischen Spezifikationen in dieser Betriebsanleitung sind einzuhalten. Eine unsachgemäße Handhabung oder ein Betreiben des Gerätes außerhalb der technischen Spezifikationen macht die sofortige Stilllegung und Überprüfung durch einen autorisierten Servicemitarbeiter erforderlich.

Elektronische Präzisionsmessgeräte sind mit erforderlicher Sorgfalt zu behandeln (vor Nässe, Stößen, starken Magnetfeldern, statischer Elektrizität und extremen Temperaturen schützen, keine Gegenstände in das Gerät bzw. Öffnungen einführen). Stecker und Buchsen vor Verschmutzung schützen.

Dieses Gerät ist für den Anschluss an einen externen PELV Stromkreis vorgesehen, der die Anforderungen von UL/IEC/EN 610101 Abschnitt 9.4 (Stromkreis mit begrenzter Energie) erfüllt.

Ansprüche jeglicher Art, aufgrund von nicht bestimmungsgemäßer Verwendung, sind ausgeschlossen. Der Verschmutzungsgrad gemäß UL-Zertifizierung ist Grad 4: „Elektrogeräte für den Außenbereich“.

3.3 Fehlgebrauch



WARNUNG!

Verletzungen durch Fehlgebrauch

Fehlgebrauch des Gerätes kann zu gefährlichen Situationen und Verletzungen führen.

- ▶ Eigenmächtige Umbauten am Gerät unterlassen.

Jede über die bestimmungsgemäße Verwendung hinausgehende oder andersartige Benutzung gilt als Fehlgebrauch.

3.4 Verantwortung des Betreibers

Das Gerät wird im gewerblichen Bereich eingesetzt. Der Betreiber unterliegt daher den gesetzlichen Pflichten zur Arbeitssicherheit.

Die Sicherheitshinweise dieser Betriebsanleitung, sowie die für den Einsatzbereich des Gerätes gültigen Sicherheits-, Unfallverhütungs- und Umweltschutzvorschriften einhalten.

Der Betreiber ist verpflichtet, das Typenschild lesbar zu halten.

Für ein sicheres Arbeiten am Gerät muss der Betreiber sicherstellen,

- dass eine entsprechende Erste-Hilfe-Ausrüstung vorhanden ist und bei Bedarf jederzeit Hilfe zur Stelle ist.
- dass das Elektrofachpersonal regelmäßig in allen zutreffenden Fragen von Arbeitssicherheit, Erste Hilfe und Umweltschutz unterwiesen wird, sowie die Betriebsanleitung und insbesondere die darin enthaltenen Sicherheitshinweise kennt.
- dass das Gerät gemäß der bestimmungsgemäßen Verwendung für den Anwendungsfall geeignet ist.
- dass die persönliche Schutzausrüstung verfügbar ist.

3.5 Personalqualifikation



WARNUNG!

Verletzungsgefahr bei unzureichender Qualifikation

Unsachgemäßer Umgang kann zu erheblichen Personen- und Sachschäden führen.

- ▶ Die in dieser Betriebsanleitung beschriebenen Tätigkeiten nur durch Fachpersonal nachfolgend beschriebener Qualifikation durchführen lassen.

Elektrofachpersonal

Das Elektrofachpersonal ist aufgrund seiner fachlichen Ausbildung, Kenntnisse und Erfahrungen sowie Kenntnis der landesspezifischen Vorschriften, geltenden Normen und Richtlinien in der Lage, Arbeiten an elektrischen Anlagen auszuführen und mögliche Gefahren selbstständig zu erkennen und zu vermeiden. Das Elektrofachpersonal ist speziell für das Arbeitsumfeld, in dem es tätig ist, ausgebildet und kennt die relevanten Normen und Bestimmungen. Das Elektrofachpersonal muss die Bestimmungen der geltenden gesetzlichen Vorschriften zur Unfallverhütung erfüllen.

Besondere Kenntnisse bei Arbeiten mit Geräten für explosionsgefährdete Bereiche:

Das Elektrofachpersonal muss Kenntnisse über Zündschutzarten, Vorschriften und Verordnungen für Betriebsmittel in explosionsgefährdeten Bereichen haben.

Spezielle Einsatzbedingungen verlangen weiteres entsprechendes Wissen, z. B. über aggressive Messstoffe.

3.6 Persönliche Schutzausrüstung

Anforderungen an benötigte Schutzausrüstung ergeben sich aus den Umgebungsbedingungen am Ort der Nutzung, anderen Produkten oder der Verknüpfung mit anderen Produkten.

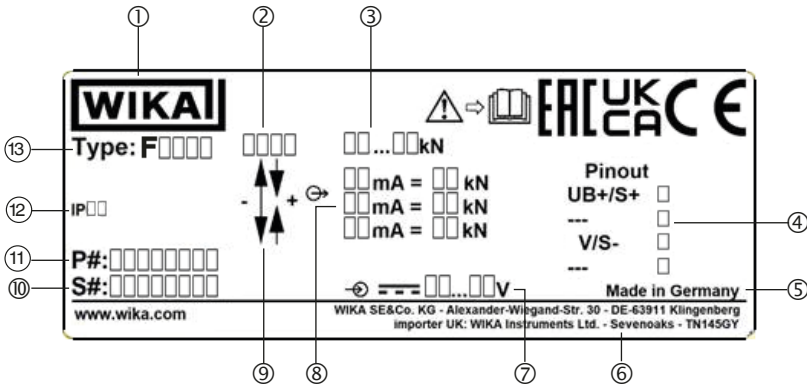
Die erforderliche persönliche Schutzausrüstung muss vom Betreiber zur Verfügung gestellt werden. Der Betreiber wird durch diese Vorschläge in keiner Weise von seinen arbeitsrechtlichen Pflichten zur Sicherheit und dem Schutz der Gesundheit der Arbeitnehmer entbunden.

Die Bemessung der persönlichen Schutzausrüstung muss unter Berücksichtigung aller Betriebsparameter des Einsatzortes erfolgen.

3.7 Beschilderung, Sicherheitskennzeichnungen

Typenschild

Standard-Typenschild



- | | |
|---|-------------------------------|
| ① Logo | ⑧ Ausgangssignal |
| ② Herstellungsjahr | ⑨ Krafrichtung |
| ③ Messbereich | ⑩ Seriennummer, TAG-Nummer |
| ④ Anschlussbelegung | ⑪ Produktcode |
| ⑤ Herstellungsland | ⑫ Schutzart nach DIN EN 60259 |
| ⑥ Adresse und Importeur UK | ⑬ Typ |
| ⑦ Versorgungsspannung, Speisespannung bei mV/V-Sensor | |



Vor Montage und Inbetriebnahme des Geräts unbedingt die Betriebsanleitung lesen!

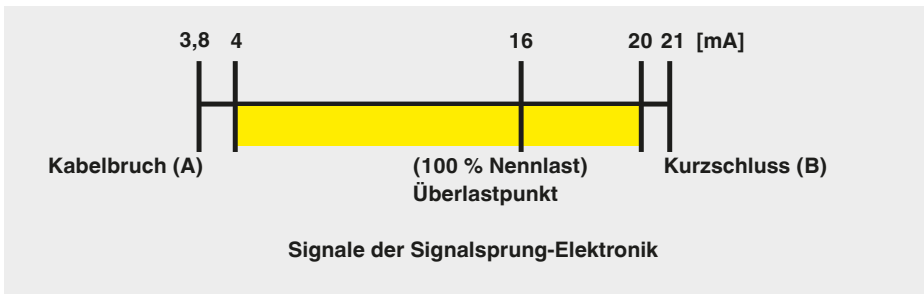
3.8 Signalsprung-Elektronik

Einhaltung der funktionalen Sicherheit

Eine externe, vom Kraftaufnehmer unabhängige Sicherheitssteuerung muss die sichere Funktion des Kraftaufnehmers überwachen. Der Funktionstest mit einem Signalsprung von 4 mA / 2 V wird in einem Intervall von 24 Stunden ausgeführt. Die Sicherheitssteuerung aktiviert das Relais A und verändert damit definiert das Ausgangssignal des Kraftaufnehmers.

Tritt die erwartete Änderung des Ausgangssignals auf, kann davon ausgegangen werden, dass der gesamte Signalweg von der Wheatstone'sche-Messbrücke über den Verstärker bis zum Ausgang korrekt funktioniert. Tritt sie nicht auf, kann auf einen Fehler in diesem Signalweg geschlossen werden.

Weiterhin soll das Messsignal durch die Sicherheitssteuerung auf Min.-(A) und Max.-(B)-Signalwert überprüft werden, um einen evtl. auftretenden Kabelbruch oder Kurzschluss zu erkennen. Die Standardeinstellung der Kraftaufnehmer mit Stromausgang 4 ... 20 mA zur Überlasterkennung ist zum Beispiel:



Mit einem fest eingestellten Signalsprung von beispielsweise 4 mA kann dann in jedem Betriebszustand bei Aktivierung des Prüfrelais der Testzyklus ausgelöst werden. Die obere Messbereichsgrenze von 20 mA wird jedoch nicht erreicht und dadurch die Überprüfung des Signalsprungs ermöglicht.

3.9 RoHS Bewertung

Die Zug-/Druckkraftaufnehmer sind für den Einsatz in stationären Großwerkzeugen, Großanlagen und bewegten Maschinen bestimmt. Die Zug-/Druckkraftaufnehmer sind daher vom Geltungsbereich der EU-Richtlinie 2011/65/EU (RoHS) ausgenommen; siehe 2011/65/EU, Artikel 2 (4) d), e) und g) und damit auch auf die Restriction of the Use of Certain Hazardous Substances in Electrical and Electronic Equipment Regulations 2012 für UK, da dies der 2011/65 entspricht /EU.

4. Transport, Verpackung und Lagerung

4.1 Transport

Den Zug-/Druckkraftaufnehmer auf eventuell vorhandene Transportschäden untersuchen. Offensichtliche Schäden unverzüglich mitteilen.



VORSICHT!

Beschädigungen durch unsachgemäßen Transport

Bei unsachgemäßem Transport können Sachschäden in erheblicher Höhe entstehen.

- ▶ Beim Abladen der Packstücke bei Anlieferung sowie innerbetrieblichem Transport vorsichtig vorgehen und die Symbole auf der Verpackung beachten.
- ▶ Bei innerbetrieblichem Transport die Hinweise unter Kapitel 4.2 „Verpackung und Lagerung“ beachten.

Als Präzisionsmessgeräte verlangen die Aufnehmer beim Transport und der Montage eine sorgfältige Handhabung. Laststöße während des Transports (z. B. Aufschlag auf harten Untergrund) können zu bleibenden Schäden führen, die im späteren Messbetrieb zu Messfehlern führen.

4.2 Verpackung und Lagerung

Verpackung erst unmittelbar vor der Montage entfernen.

Die Verpackung aufbewahren, denn diese bietet bei einem Transport einen optimalen Schutz (z. B. wechselnder Einbauort, Reparatursendung).

Die Messfeder ist vollständig aus Chrom-Nickel-Stahl hergestellt. Die Ausführung der Zubehörkabel entspricht ebenfalls der Schutzart IP67. Bei der Lagerung muss sich die Schutzkappe immer auf dem elektrischen Anschluss befinden, um einen Feuchtigkeitseintritt sowie Schmutz zu vermeiden.

Zulässige Bedingungen am Lagerort:

- Lagertemperatur: -40 ... +85 °C [-40 ... +185 °F]
- Feuchtigkeit: 35 ... 85 % relative Feuchte (keine Betauung)

Folgende Einflüsse vermeiden:

- ▶ Mechanische Vibration, mechanischer Schock (hartes Aufstellen)
- ▶ Staub, Schmutz und sonstige Gegenstände dürfen sich nicht so ablagern, dass sie einen Kraftnebenschluss zur Messfeder bilden, da dadurch das Messsignal verfälscht wird.

5. Inbetriebnahme, Betrieb

5.1 Vorkehrung vor der Montage

- Zug-/Druckkraftaufnehmer sind empfindliche Messgeräte und entsprechend sorgsam zu behandeln.
- Vor der Montage des Zug-/Druckkraftaufnehmers prüfen, ob die Gewindebohrungen der Einbauposition maßhaltig ausgeführt wurden, sodass der problemlose mechanische Einbau des Zug-/Druckkraftaufnehmers gewährleistet ist.
- Vor der Montage darauf achten, dass die Bohrspäne aus den Gewindebohrungen entfernt wurden.

5.2 Montagehinweise



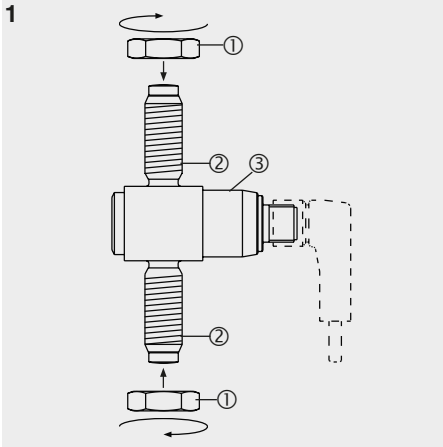
VORSICHT!

Beschädigung des Gerätes durch unsachgemäße Montage

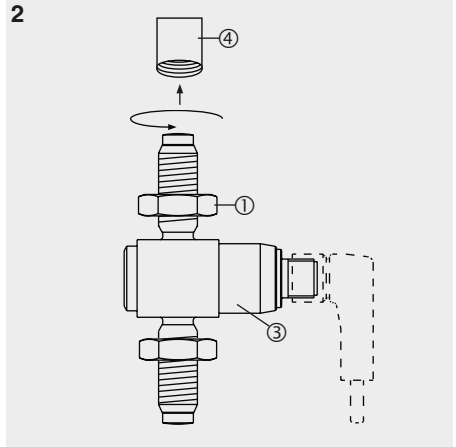
- Beim Einbau der Kraftaufnehmer ist auf die Einbaulage und die Belastungsrichtung zu achten.
- Torsions- und Querkräfte sind zu vermeiden. Zu den Querbelastungen und Seitenkräften gehören auch die entsprechenden Komponenten der eventuell schräg eingeleiteten Messgrößen.
- Torsionsmomente, außermittige Belastungen und Querbelastungen bzw. Seitenkräfte verursachen Messfehler und können den Zug-/Druckkraftaufnehmer bleibend schädigen.
- Die mitgelieferten Kontermuttern dürfen in keinem Fall am Verformungskörper anliegen. Ein Spalt von 0,5 mm [0,02 in] ist mindestens vorzusehen.
- Auch im Innengewinde darf ein mögliches Gegenstück nicht bis zum Anschlag eingeschraubt werden.
- Die Montage des Zug-/Druckkraftaufnehmers darf nicht mit Gewalteinwirkung erfolgen.
- Während des Einbaus des Zug-/Druckkraftaufnehmers ist das Ausgangssignal (Kraftwert) stets zu überwachen, um eine mechanische Überlastung zu vermeiden.
- Bei Belastung in anderen Vorrichtungen als in der Applikation vorgesehen, kann eine Veränderung des Nullsignals eine dauerhafte Schädigung zur Folge haben.
- Den Zug-/Druckkraftaufnehmer nicht als Steighilfe verwenden.
- Sind hohe Querkräfte bzw. Seitenkräfte zu erwarten, empfiehlt sich der Einsatz von Gelenkköpfen (siehe Kapitel 10 „Zubehör“).

5.3 Montage der Typen F2301, F23C1, F23S1

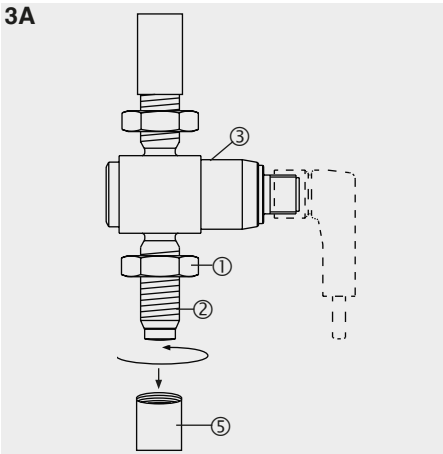
- ① Kontermutter
- ② Gewinde
- ③ Kraftaufnehmer
- ④ Messobjekt
- ⑤ Gegenstück Messobjekt
- ⑥ Ballige Oberfläche



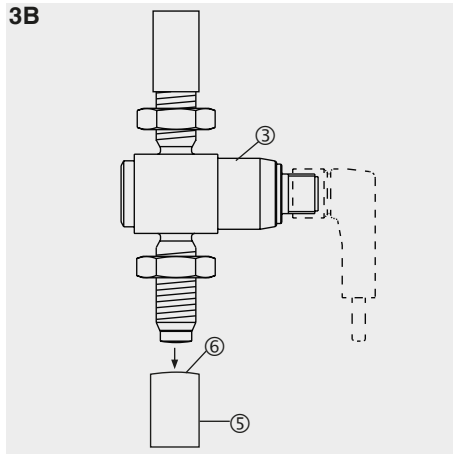
Bei Bedarf Kontermuttern auf je ein Gewinde aufschrauben.



Kraftaufnehmer in Messobjekt einschrauben. Bei Bedarf mit Kontermutter mit Handanzugsmoment kontern. Max. Drehmoment beachten (siehe Tab. auf Seite 63).



Gegenstück des Messobjekts auf freies Gewinde aufschrauben. Gegebenfalls mit Kontermutter mit Handanzugsmoment kontern. Maximales Drehmoment beachten (siehe Tabelle auf Seite 63). Kraftaufnehmer belasten.



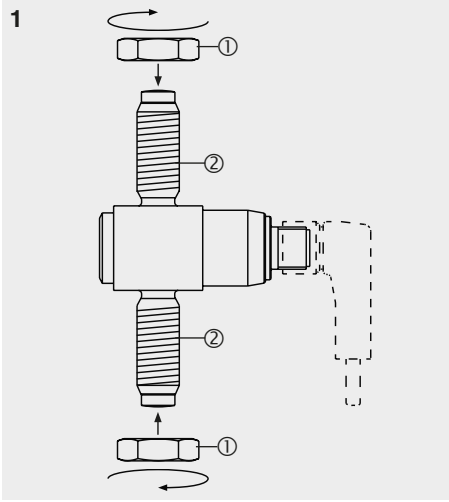
Gegenstück des Messobjekts gegen ballige Oberfläche/Stirnfläche des Kraftaufnehmers positionieren. Kraftaufnehmer belasten.

5. Inbetriebnahme, Betrieb

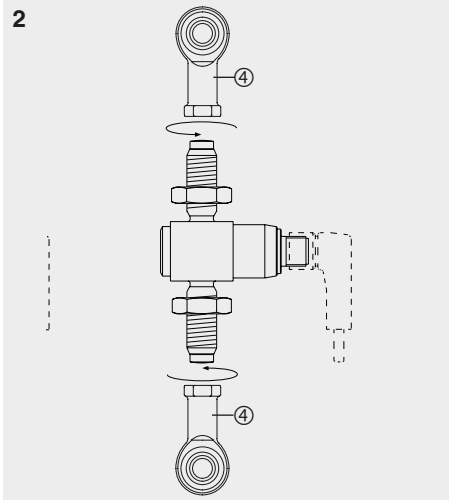
5.4 Montage der Typen F2301, F23C1, F23S1 mit Gelenkköpfen

- ① Kontermutter
- ② Gewinde
- ③ Kraftaufnehmer
- ④ Gelenkköpfe
- ⑤ Haltevorrichtung
- ⑥ Haltebolzen

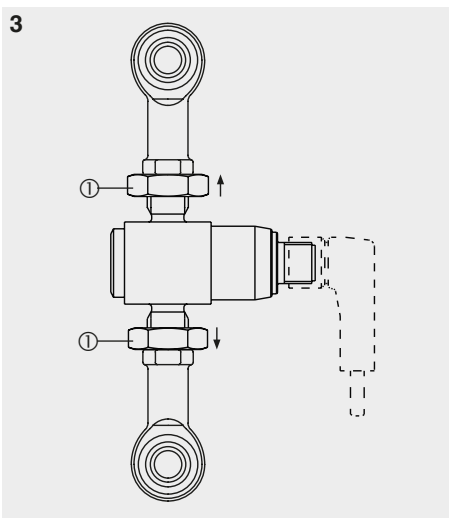
DE



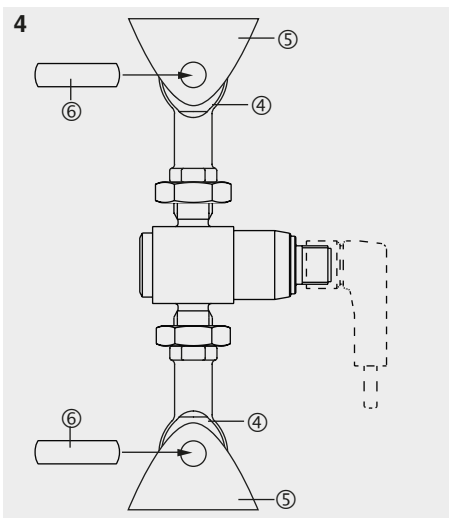
1 Kontermuttern auf Gewinde aufschrauben.



2 Gelenkköpfe auf Gewinde aufschrauben.



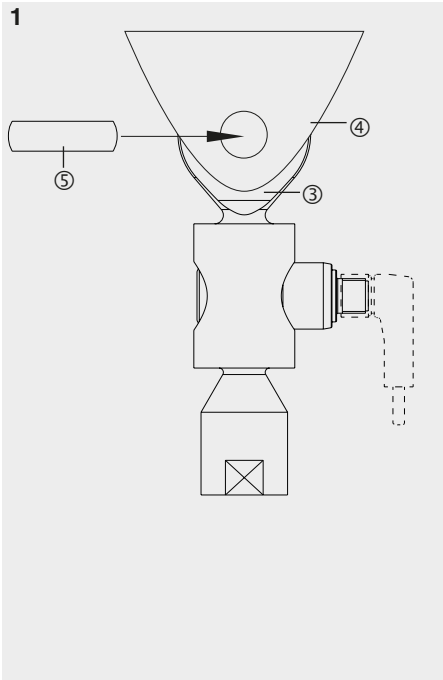
3 Kontermuttern kontern. Max. Drehmoment beachten (siehe Tabelle auf Seite 63).



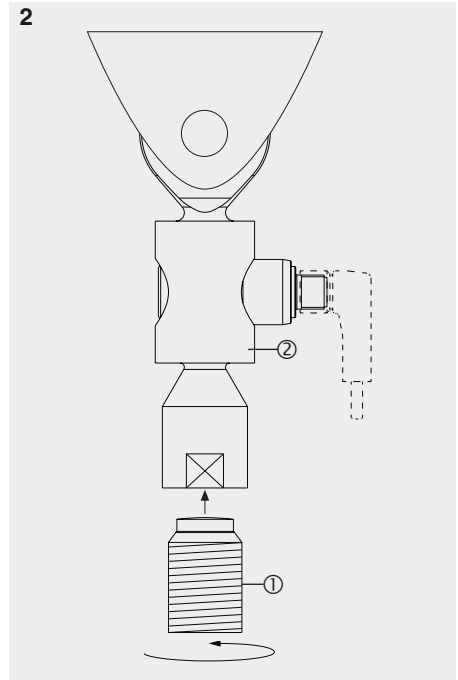
4 Gelenkköpfe in Haltevorrichtungen positionieren und mit Haltebolzen fixieren. Die Haltebolzen dürfen die freie Lagerung des Kraftaufnehmers nicht beeinträchtigen. Kraftaufnehmer belasten.

5.5 Montage des Typs F2303

- ① Kontermutter
- ② Gewinde
- ③ Kraftaufnehmer
- ④ Haltevorrichtung
- ⑤ Haltebolzen



Gelenkkopf in Haltevorrichtungen positionieren, den Haltebolzen in die Bohrung der Haltevorrichtung stecken und somit die Messeinheit fixieren. Der Haltebolzen darf die freie Lagerung des Kraftaufnehmers nicht beeinträchtigen.



Kraftaufnehmer auf das Gewinde des Messobjekts schrauben. Nicht bis zum Anschlag einschrauben! Wenn das Messobjekt fixiert werden muss, mit Mutter sichern. Dabei empfohlenes Drehmoment beachten (siehe untenstehende Tabelle). Kraftaufnehmer belasten.

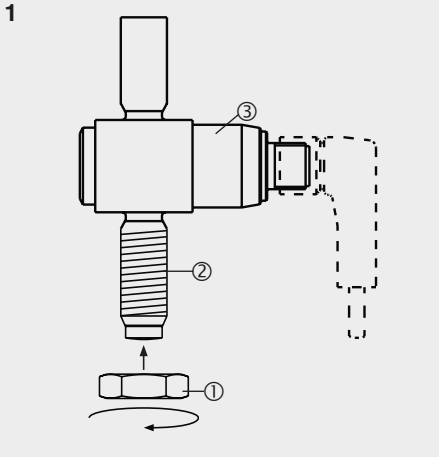
Richtwerte für "handfest"-Anziehdrehmomente M [Nm],

nach Tabelle 1 der DASt-Richtlinie 024:2018

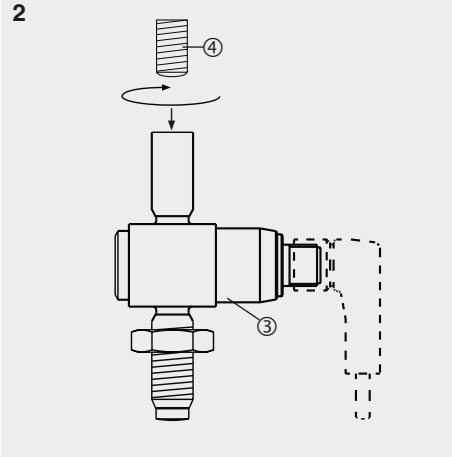
Festigkeitsklasse	Anziehdrehmomente MA [Nm]						
	M12	M20	M24	M39	M45	M56	M64
4.6 bis 10.9	15	60	110	390	495	640	760

5.6 Montage des Typs 2304

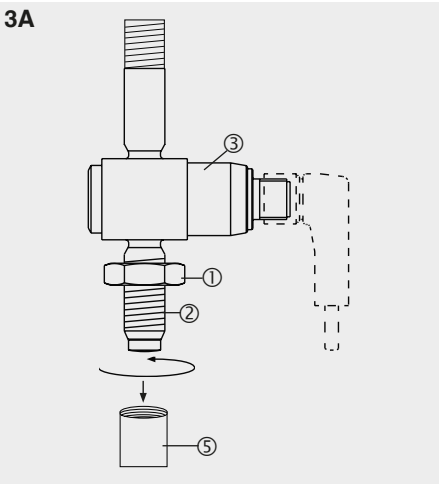
- ① Kontermutter
- ② Gewinde
- ③ Kraftaufnehmer
- ④ Messobjekt
- ⑤ Gegenstück Messobjekt
- ⑥ Ballige Oberfläche



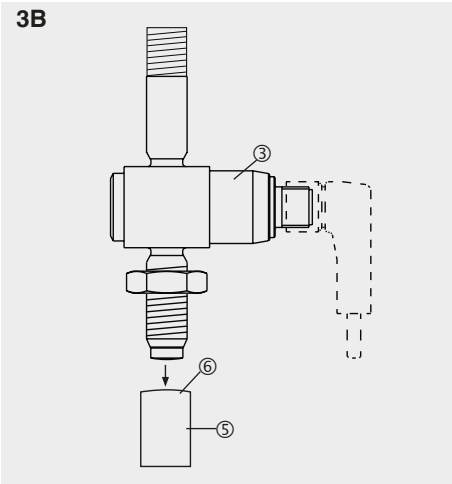
Bei Bedarf Kontermutter auf das Gewinde aufschrauben.



Kraftaufnehmer auf Messobjekt aufschrauben. Nicht bis zum Anschlag einschrauben!



Kraftaufnehmer in Messobjekt einschrauben. Bei Bedarf mit Kontermutter mit Handanzugsmoment kontern. Maximales Drehmoment beachten (siehe Tabelle auf Seite 63). Kraftaufnehmer belasten.



Gegenstück des Messobjekts gegen ballige Oberfläche/Stirnfläche des Kraftaufnehmers positionieren. Kraftaufnehmer belasten.

5.7 Elektrischer Anschluss

Um Einkopplungen von Störungen zu vermeiden:

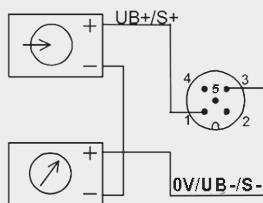
- Nur abgeschirmte, kapazitätsarme Messkabel verwenden (Kabel, siehe Kapitel 10 „Zubehör“).
- Schirm des Messkabels erden.
- Kabelschirm mit dem Gehäuse des Zug-/Druckkraftaufnehmers verbinden. Bei den Zubehörkabeln ist der Kabelschirm mit der Rändelmutter und damit mit dem Gehäuse des Zug-/Druckkraftaufnehmers verbunden (Kabel, siehe Kapitel 10 „Zubehör“).
- Messkabel nicht parallel zu Starkstrom- und Steuerleitungen legen.
- Streufelder von Transformatoren sowie Motoren und Schützen vermeiden.
- Aufnehmer, Verstärker und Verarbeitungs- bzw. Anzeigeeinheit dürfen nicht mehrfach geerdet werden. Alle Geräte an denselben Schutzleiter anschließen.

Die Anschlussbelegung des Steckers oder des Kabels ist dem Typenschild zu entnehmen.

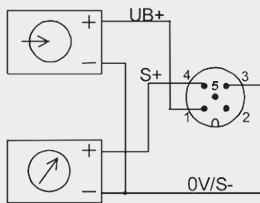
Beim Verlängern dürfen nur abgeschirmte und kapazitätsarme Kabel verwendet werden. Die erlaubten maximalen und minimalen Längen des Kabels sind in der ISO 11898-2 angegeben. Dabei ist auf die Abschirmung zu achten.

5.7.1 Anschlussbelegung des Analogausgangs, Typen F2301, F2303, F2304

Ausgang 4 ... 20 mA, 2-Leiter
Rundstecker M12 x 1, 5-polig



Ausgang 0...10 V / 4 ... 20 mA, 3-Leiter
Rundstecker M12 x 1, 5-polig



Rundstecker M12 x 1, 5-polig			
	4 ... 20 mA, 2-Leiter	4 ... 20 mA, 3-Leiter	0 ... 10 V, 3-Leiter
UB+	1	1	1
0V/UB-	3	3	3
S+	1	4	4
S-	3	3	3
Schirm ⊕	Gehäuse	Gehäuse	Gehäuse

Kabelbelegung in Kombination mit Rundstecker M12 x 1, 5-polig		
Kabelfarbe	2-Leiter	3-Leiter
Braun	UB+/S+	UB+
Weiß	-	-
Blau	0V/S-	0V/S-
Schwarz	-	S+

Nur bei Verwendung der Standardkabel,
z. B. Artikelnummer 14259454

5. Inbetriebnahme, Betrieb

5.7.2 Anschlussbelegung für ATEX/IECEX, Typ F23C1

Rundstecker M12 x 1, 4-polig	
	ATEX Ex ib 4 ... 20 mA, 2-wire
UB+	1
0V/UB-	3
S+	1
S-	3
Schirm ⊕	Gehäuse

Kabelbelegung in Kombination mit Rundstecker M12 x 1, 4-polig	
Kabelfarbe	2-Leiter
Braun	UB+/S+
Weiß	-
Blau	0V/S-
Schwarz	-

Nur bei Verwendung der Standardkabel,
z. B. Artikelnummer 14259454

5.7.3 Anschlussbelegung für Signalsprung, Typ F2301

Rundstecker M12 x 1, 4-polig			
	4 ... 20 mA, 2-Leiter	4 ... 20 mA, 3-Leiter	0 ... 10 V, 3-Leiter
UB+	1	1	1
0V/UB-	3	3	3
UR+	2	2	2
UR-	4	3	3
S+	1	4	4
S-	3	3	3
Schirm ⊕	Gehäuse	Gehäuse	Gehäuse

Kabelbelegung in Kombination mit Rundstecker M12 x 1, 4-polig

Kabelfarbe	2-Leiter	3-Leiter
Braun	UB+/S+	UB+
Weiß	UR+	UR+
Blau	0V/S-	0V/S-/UR-
Schwarz	UR-	S+

Nur bei Verwendung der Standardkabel,
z. B. Artikelnummer 14259454

5.7.4 Anschlussbelegung des Analogausgangs, redundant

Rundstecker M12 x 1, 5-polig	
	4 ... 20 mA, 2-Leiter
UB1+/S1+	1
UB2+/S2+	2
UB1-/S1-	3
UB2-/S2-	4
Schirm ⊕	Gehäuse

Rundstecker M12 x 1, 5-polig		
	4 ... 20 mA, 3-Leiter	0 ... 10 V, 3-Leiter
Versorgung UB+	1	1
Versorgung 0V/S-	3	3
Signal S1+	4	4
Signal S2+	2	2
Schirm	Gehäuse	Gehäuse

Kabelbelegung in Kombination mit Rundstecker M12 x 1, 5-polig

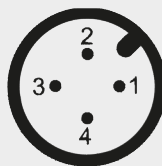
Kabelfarbe	2-Leiter	3-Leiter
Braun	UB+/S+	UB+
Weiß	-	-
Blau	0V/S-	0V/S-
Schwarz	-	S+

Nur bei Verwendung der Standardkabel, z. B. Artikelnummer 14259454

5.7.5 Anschlussbelegung des Analogausgangs redundant, gegenläufig

Rundstecker M12 x 1, 4-polig		
	4 ... 20 mA / 20...4 mA (redundant)	
	Stecker 1	Stecker 2
UB+	1	1
0V/UB-	3	3
Signal: Kanal 1	4	-
Signal: Kanal 2	-	4
Schirm ⊕	Gehäuse	Gehäuse

Rundstecker M12 x 1, 4-polig



DE

2-Stecker-Variante beispielsweise in Kombination mit ELMS1 Überlastsicherung (F23S1). Ausführung nach Anforderung nach funktionaler Sicherheit nach Maschinenrichtlinie 2006/42/EG.

5.7.6 Anschlussbelegung für CANopen®

Rundstecker M12 x 1, 5-polig	
Schirm ⊕	1
UB+ (CAN V+)	2
UB- (CAN GND)	3
Bus-Signal, CAN-High	4
Bus-Signal, CAN-Low	5

Rundstecker M12 x 1, 5-polig



5.8 Elektrischer Anschluss Ex-Bereich

Elektrische Daten Versorgungs- bzw. Signalstromkreis:

- $U_{B+} = DC\ 9 \dots 30\ V$
- $I_{max} = 130\ mA$
- $P_{max} = 750\ mW$
- $C_i = 13,2\ nF$

Bei Zug-/Druckkraftaufnehmern mit Kabelanschluss sind folgende Werte zusätzlich zu berücksichtigen:

- $C_L = 320\ nF/km$
- $L_L = 0,44\ mH/km$

Der Zug-/Druckkraftaufnehmer mit der Zündschutzart „ib“ darf nur mit Speisetrennern versorgt werden.

Bei redundanter Ausführung der Zug-/Druckkraftaufnehmer sind getrennte Kabelzuführungen vorzusehen. Bei einem Anschluss über ein einziges Kabel sind die Anforderungen nach IEC 60079-14 zu berücksichtigen. Unterschiedliche eigensichere Stromkreise sind im Kabel durch Schirmung zu trennen. Die Erdung aller Schirme ist sicherzustellen. Werden zwei eigensichere Stromkreise über einen Steckeranschluss mit dem Zug-/Druckkraftaufnehmer verbunden, so muss der Stecker vergossen sein und die Abstände zwischen den eigensicheren Stromkreisen müssen mindestens 1 mm betragen. Die Leitungen sind vor Beschädigung zu schützen. Beschädigte Kabel sind unverzüglich auszutauschen.

6. Störungen



GEFAHR!

Lebensgefahr durch Explosion

Durch Arbeiten in entzündlichen Atmosphären besteht Explosionsgefahr, die zum Tod führen kann.

- ▶ Störungen nur in nicht-entzündlichen Atmosphären beseitigen!



VORSICHT!

Körperverletzungen, Sachschäden

Können Störungen mit Hilfe der aufgeführten Maßnahmen nicht beseitigt werden, den Zug-/Druckkraftaufnehmer unverzüglich außer Betrieb setzen.

- ▶ Kontakt mit dem Hersteller aufnehmen.
- ▶ Bei notwendiger Rücksendung die Hinweise unter Kapitel 9.2 „Rücksendung“ beachten.



Kontaktdaten siehe Kapitel 1 „Allgemeines“ oder Rückseite der Betriebsanleitung.

Störungen	Ursachen	Maßnahmen
Kein Ausgangssignal	Keine oder falsche Hilfsenergie, Stromstoß	Hilfsenergie korrigieren
	Leitungsbruch	Durchgang überprüfen
Kein oder falsches Ausgangssignal	Falsche Pinbelegung	Pinbelegung prüfen
Abweichendes Nullpunkt-Signal	Überlast, Last-Offset, falscher Anschluss	Rücksprache mit Hersteller
Gleichbleiben des Ausgangssignals bei Kraftänderung	Mechanische Überlastung, falsche Pinbelegung	Rücksprache mit Hersteller
Spannung schwankend	EMV-Störquellen in Umgebung, z. B. Frequenzumrichter	Gerät abschirmen; Leitungsabschirmung; Störquelle entfernen
Spannung fällt ab/zu klein	Mechanische Überlastung	Rücksprache mit Hersteller

7. Wartung und Reinigung

7.1 Wartung

Dieses Gerät ist wartungsfrei.

Reparaturen sind ausschließlich vom Hersteller durchzuführen.

Nur Originalteile verwenden (siehe Kapitel 10 „Zubehör“).

7.2 Reinigung

1. Vor der Reinigung den Zug-/Druckkraftaufnehmer ordnungsgemäß von der Spannungsversorgung trennen und ausbauen.
2. Den Zug-/Druckkraftaufnehmer mit einem Tuch reinigen.
Elektrische Anschlüsse nicht mit Feuchtigkeit in Berührung bringen!



VORSICHT!

Beschädigung des Gerätes

Eine unsachgemäße Reinigung führt zur Beschädigung des Gerätes!

- ▶ Keine aggressiven Reinigungsmittel verwenden.
- ▶ Keine harten und spitzen Gegenstände zur Reinigung verwenden.

7.3 Rekalibrierung

DKD/DAkkS-Schein - amtliche Bescheinigungen:

Es wird empfohlen, den Zug-/Druckkraftaufnehmer in regelmäßigen Zeitabständen von ca. 24 Monaten durch den Hersteller rekalibrieren zu lassen. Die Grundeinstellungen werden wenn notwendig korrigiert.



Kontaktdaten siehe Kapitel 1 „Allgemeines“ oder Rückseite der Betriebsanleitung.

8. Demontage, Rücksendung und Entsorgung

8.1 Demontage

Den Zug-/Druckkraftaufnehmer entlasten und vom Strom trennen.

Den Zug-/Druckkraftaufnehmer aus der Einbausituation entfernen.

8.2 Rücksendung

Beim Versand des Gerätes unbedingt beachten:

Alle an WIKA gelieferten Geräte müssen frei von Gefahrstoffen (Säuren, Laugen, Lösungen, etc.) sein und sind daher vor der Rücksendung zu reinigen.

Zur Rücksendung des Gerätes die Originalverpackung oder eine geeignete Transportverpackung verwenden.

Um Schäden zu vermeiden:

1. Das Gerät in eine antistatische Plastikfolie einhüllen.
2. Das Gerät mit dem Dämmmaterial in der Verpackung platzieren.
Zu allen Seiten der Transportverpackung gleichmäßig dämmen.
3. Wenn möglich einen Beutel mit Trocknungsmittel der Verpackung beifügen.
4. Sendung als Transport eines hochempfindlichen Messgerätes kennzeichnen.



Hinweise zur Rücksendung befinden sich in der Rubrik „Service“ auf unserer lokalen Internetseite.

8.3 Entsorgung

Durch falsche Entsorgung können Gefahren für die Umwelt entstehen.

Gerätekomponenten und Verpackungsmaterialien entsprechend den landesspezifischen Abfallbehandlungs- und Entsorgungsvorschriften umweltgerecht entsorgen.



Nicht mit dem Hausmüll entsorgen. Für eine geordnete Entsorgung gemäß nationaler Vorgaben sorgen.

9. Technische Daten

Typ	F2301	F23S1
Nennkraft F_{nom} kN	1, 2, 3, 5, 10, 20, 30, 50, 100, 200, 300, 500	3, 5, 10, 20, 30, 50, 100
Nennkraft F_{nom} lbf	225, 450, 674, 1.124, 2.248, 4.496, 6.744, 11.240, 22.481, 44.962, 67.443, 112.404	674, 1.124, 2.248, 4.496, 6.744, 11.240, 22.481
Relative Linearitätsabweichung $d_{lin}^{(1)}$	$\pm 0,5 \% F_{nom}$	
Relative Umkehrspanne v	$< 0,1 \% F_{nom}$	
Temperatureinfluss auf		
den Kennwert TK_C	$0,2 \% F_{nom} / 10 K$	$0,4 \% F_{nom} / 10 K$
das Nullsignal TK_0	$0,2 \% F_{nom} / 10 K$	$0,4 \% F_{nom} / 10 K$
Grenzkraft F_L	$150 \% F_{nom}$	
Bruchkraft F_B	$300 \% F_{nom}$	
Zulässige Schwingbeanspruchung F_{rb}	$\pm 50 \% F_{nom}$ (nach DIN 50100)	
Nennmessweg (typisch) s_{nom}		
$< 10 kN$ [$< 2.248 lbf$]	$< 0,02 mm$ [$< 0,00079 in$]	
$< 100 kN$ [$< 22.481 lbf$]	$< 0,2 mm$ [$< 0,0079 in$]	
Material des Messkörpers	Korrosionsbeständiger CrNi-Stahl 1.4542, ultraschallgeprüftes 3.1 Material (optional 3.2)	
Nenntemperaturbereich $B_{T, nom}$	$-20 \dots +80 \text{ °C}$ [$-4 \dots +176 \text{ °F}$]	
Gebrauchstemperaturbereich $B_{T, G}$	<ul style="list-style-type: none"> ■ $-30 \dots +80 \text{ °C}$ [$-22 \dots +176 \text{ °F}$] ■ $-40 \dots +80 \text{ °C}$ [$-40 \dots +176 \text{ °F}$] 	$-30 \dots +80 \text{ °C}$ [$-22 \dots +176 \text{ °F}$]
Lagertemperaturbereich $B_{T, S}$	$-40 \dots +85 \text{ °C}$ [$-40 \dots +185 \text{ °F}$]	
Elektrischer Anschluss	<ul style="list-style-type: none"> ■ Rundstecker M12 x 1, 5-polig ■ CANopen®, 5-polig 	2-Steckervariante, 4-polig
Kennwertbereich B_C (Ausgangssignal)	<ul style="list-style-type: none"> ■ 4 ... 20 mA, 2-Leiter ■ 4 ... 20 mA, 3-Leiter ■ DC 0 ... 10 V, 3-Leiter ■ (Optional redundantes Signal) ■ CANopen® Protokoll gemäß CiA 301, Geräteprofil 404, Kommunikationsdienst LSS (CiA 305), Konfiguration der Geräte-Adresse u. Baudrate Sync/Async, Node/Lifeguarding, Heartbeat; Nullpunkt und Spanne $\pm 10 \%$ einstellbar über Einträge ins Objektverzeichnis ²⁾	<ul style="list-style-type: none"> ■ Redundant, gegenläufig ■ 4 ... 20 mA/20 ... 4 mA Ausführung nach Anforderung nach funktionaler Sicherheit nach Maschinenrichtlinie 2006/42/EG
Isolationswiderstand	$> 2 G\Omega$	

9. Technische Daten

DE

Typ	F2301	F23S1
Strom / Leistungsaufnahme	<ul style="list-style-type: none"> ■ Stromausgang 4 ... 20 mA 2-Leiter: Signalstrom ■ Stromausgang 4 ... 20 mA 3-Leiter: < 8 mA ■ Spannungsausgang: < 8 mA ■ CANopen®: <1 W 	Stromausgang 4 ... 20 mA: Signalstrom
Versorgungsspannung UB	<ul style="list-style-type: none"> ■ DC 9 ... 36 V für Stromausgang ■ DC 13 ... 36 V für Spannungsausgang ■ DC 9 ... 36 V für CANopen® 	DC 10 ... 30 V für Stromausgang
Bürde	<ul style="list-style-type: none"> ■ $\leq (UB-10\text{ V})/0,024\text{ A}$ für Stromausgang ■ $> 25\text{ k}\Omega$ für Spannungsausgang 	<ul style="list-style-type: none"> ■ $\leq (UB-10\text{ V})/0,020\text{ A}$ (Kanal 1) für Stromausgang ■ $\leq (UB-7\text{ V})/0,020\text{ A}$ (Kanal 2) für Stromausgang
Schutzart (nach IEC/EN 60529)		IP67
Ungesteckter Zustand	IP66, IP67	
Gesteckter Zustand	IP68, IP69, IP69K	
Elektrische Schutzarten	Verpolungsschutz, Überspannungs- und Kurzschlussfestigkeit	
Schwingungsbeständigkeit	20 g, 100 h, 50 ... 150 Hz (nach DIN EN 60068-2-6)	
Stoßbeständigkeit	DIN EN 60068-2-27	
Störfestigkeit	Nach DIN EN 61326-1/DIN EN 61326-2-3 (optional EMV-verstärkte Ausführungen)	
Optional	Zeugnisse, Festigkeitsnachweise, 3D-CAD-Daten (STEP, IGES) auf Anfrage	

1) Die Kraftaufnehmer mit der Zündschutzart „ib“ dürfen nur mit potenzialgetrennten Speisegeräten versorgt werden.

2) Relative Linearitätsabweichung ist nach Richtlinie VDI/VDE/DKD 2638 Kapitel 3.2.6 angegeben.

3) Andere Signalsprünge sind auf Anfrage realisierbar.

9. Technische Daten

Typ	F23C1 ATEX/IECEX EX ib ¹⁾	F2301 Signalsprung
Nennkraft F_{nom} kN	1, 2, 3, 5, 10, 20, 30, 50, 100	
Nennkraft F_{nom} lbf	225, 450, 674, 1.124, 2.248, 4.496, 6.744, 11.240, 22.481	
Relative Linearitätsabweichung $d_{lin}^{2)}$	$\pm 0,5 \% F_{nom}$	
Relative Umkehrspanne v	$< 0,1 \% F_{nom}$	
Temperatureinfluss auf		
den Kennwert TK_C	0,4 % $F_{nom} / 10 K$	0,2 % $F_{nom} / 10 K$
das Nullsignal TK_0	0,4 % $F_{nom} / 10 K$	0,2 % $F_{nom} / 10 K$
Grenzkraft F_L	150 % F_{nom}	
Bruchkraft F_B	300 % F_{nom}	
Zulässige Schwingbeanspruchung F_{rb}	$\pm 50 \% F_{nom}$ (nach DIN 50100)	
Nennmessweg (typisch) s_{nom}		
$< 10 kN$ [$< 2.248 lbf$]	$< 0,02 mm$ [$< 0,00079 in$]	
$< 100 kN$ [$< 22.481 lbf$]	$< 0,2 mm$ [$< 0,0079 in$]	
Material des Messkörpers	Korrosionsbeständiger CrNi-Stahl 1.4542, ultraschallgeprüftes 3.1 Material (optional 3.2)	
Nenntemperaturbereich $B_{T, nom}$	$-20 \dots +80 \text{ }^\circ\text{C}$ [$-4 \dots +176 \text{ }^\circ\text{F}$]	
Gebrauchstemperaturbereich $B_{T, G}$	Ex II 2G Ex ib IIC T4 Gb $-25 \text{ }^\circ\text{C} < Tamb < +85 \text{ }^\circ\text{C}$ Ex II 2G Ex ib IIC T3 Gb $-25 \text{ }^\circ\text{C} < Tamb < +100 \text{ }^\circ\text{C}$ Ex I M2 Ex ib I Mb $-25 \text{ }^\circ\text{C} < Tamb < +85 \text{ }^\circ\text{C}$ Ex II 2G Ex ib IIC T4 Gb $-40 \text{ }^\circ\text{C} < Tamb < +85 \text{ }^\circ\text{C}$ Ex I M2 Ex ib I Mb (nur mit Kabelanschluss verfügbar)	$-30 \dots +80 \text{ }^\circ\text{C}$ [$-22 \dots +176 \text{ }^\circ\text{F}$]
Lagertemperaturbereich $B_{T, S}$	$-40 \dots +85 \text{ }^\circ\text{C}$ [$-40 \dots +185 \text{ }^\circ\text{F}$]	
Elektrischer Anschluss	Rundstecker M12 x 1, 4-polig	
Kennwertbereich B_C (Ausgangssignal)	4 ... 20 mA, 2-Leiter	■ 4 ... 16 mA, 2-Leiter ³⁾ ■ DC 2 ... 8 V, 3-Leiter ³⁾
Isolationswiderstand	$> 2 G\Omega$	
Strom- / Leistungsaufnahme	Stromausgang 4...20 mA Signalstrom: 2-Leiter	■ Stromausgang: 4...20 mA Signalstrom: 2-Leiter ■ Stromausgang: 4...20 mA 3-Leiter: $< 8 mA$ ■ Spannungsausgang: $< 8 mA$

1) Die Kraftaufnehmer mit der Zündschutzart „ib“ dürfen nur mit potenzialgetrennten Speisegeräten versorgt werden.

2) Relative Linearitätsabweichung ist nach Richtlinie VDI/VDE/DK 2638 Kapitel 3.2.6 angegeben.

3) Andere Signalsprünge sind auf Anfrage realisierbar.

9. Technische Daten

Typ	F23C1 ATEX/IECEX EX ib 1)	F2301 Signalsprung
Versorgungsspannung UB	DC 10 ... 30 V für Stromausgang	<ul style="list-style-type: none"> ■ DC 10 ... 30 V für Stromausgang ■ DC 14 ... 30 V für Spannungsausgang
Bürde	<ul style="list-style-type: none"> ■ $\leq (UB-10\text{ V})/0,024\text{ A}$ für Stromausgang ■ $> 25\text{ k}\Omega$ für Spannungsausgang 	
Schutzart (nach IEC/EN 60529)	IP67	
Elektrische Schutzarten	Verpolungsschutz, Überspannungs- und Kurzschlussfestigkeit	
Schwingungsbeständigkeit	20 g, 100 h, 50 ... 150 Hz (nach DIN EN 60068-2-6)	
Störfestigkeit	Nach DIN EN 61326-1/DIN EN 61326-2-3 (optional EMV-verstärkte Ausführungen)	
Optionen	Zeugnisse, Festigkeitsnachweise, 3D-CAD-Daten (STEP, IGES) auf Anfrage	

DE

9. Technische Daten

Typ	F2303
Nennkraft F_{nom} kN [lbf]	10, 18, 20, 34, 45, [2.248, 4.047, 4.496, 7.644, 10.116]
Relative Linearitätsabweichung $d_{lin}^1)$	$\pm 0,5 \% F_{nom}$
Relative Umkehrspanne v	$< 0,1 \% F_{nom}$
Relatives Kriechen, 30 min. bei F_{nom}	$0,1 \% F_{nom}$
Temperatureinfluss auf	
den Kennwert TK_C	$0,4 \% F_{nom} / 10 \text{ K}$
das Nullsignal TK_0	$0,4 \% F_{nom} / 10 \text{ K}$
Grenzkraft F_L	$150 \% F_{nom}$
Bruchkraft F_B	$300 \% F_{nom}$
Zulässige Schwingbeanspruchung F_{Rb}	$\pm 50 \% F_{nom}$ (nach DIN 50100)
Nennmessweg (typisch) s_{nom}	$< 0,1 \text{ mm}$ [$< 0,004 \text{ in}$]
Material des Messkörpers	Korrosionsbeständiger CrNi-Stahl 1.4542, ultraschallgeprüftes 3.1 Material (optional 3.2)
Nenntemperaturbereich $B_{T, nom}$	$-20 \dots +80 \text{ °C}$ [$-4 \dots +176 \text{ °F}$]
Gebrauchstemperaturbereich $B_{T, G}$	$-30 \dots +80 \text{ °C}$ [$-22 \dots +176 \text{ °F}$]
Lagertemperaturbereich $B_{T, S}$	$-40 \dots +85 \text{ °C}$ [$-40 \dots +185 \text{ °F}$]
Elektrischer Anschluss	Rundstecker M12 x 1, 4-polig
Ausgangssignal (Nennkennwert) C_{nom}	<ul style="list-style-type: none"> ■ 4 ... 20 mA, 2-Leiter ■ 4 ... 20 mA, 3-Leiter ■ DC 0 ... 10 V, 3-Leiter ■ Optional redundantes Signal ■ CANopen® Protokoll gemäß CiA 301, Geräteprofil 404, Kommunikationsdienst LSS (CiA 305), Konfiguration der Geräte-Adresse u. Baudrate Sync/Async, Node/Lifeguarding, Heartbeat; Nullpunkt und Spanne $\pm 10 \%$ einstellbar über Einträge ins Objektverzeichnis ²⁾
Strom/Leistungsaufnahme	Stromausgang: 4 ... 20 mA, Signalstrom: 2-Leiter
Versorgungsspannung UB	DC 10 ... 30 V für Stromausgang
Bürde	$\leq (UB - 10 \text{ V}) / 0,024 \text{ A}$ für Stromausgang
Einstellzeit	$< 1 \text{ ms}$ (innerhalb 10% bis 90% F_{nom}) ³⁾
Schutzart (nach EN/IEC 60529)	IP 67
Elektrische Schutzarten	Verpolungsschutz, Überspannungs- und Kurzschlussfestigkeit
Schwingungsbeständigkeit	20 g, 100 h, 50 ... 150 Hz (nach DIN EN 60068-2-6)
Störfestigkeit	Nach DIN EN 61326-1/DIN EN 61326-2-3 (optional EMV-geschützte Ausführungen)
Optionen	Zeugnisse, Festigkeitsnachweise, 3D-CAD-Daten (STEP, IGES) auf Anfrage

1) Relative Linearitätsabweichung ist nach Richtlinie VDI/VDE/DKD 2638 Kapitel 3.2.6 angegeben.

2) Protokoll nach CiA 301, Geräteprofil 404, Kommunikationsdienst LSS (CiA 305) / 3) Andere Einstellzeiten auf Anfrage möglich. CANopen® und CiA® sind registrierte Gemeinschaftsmarken des CAN in Automation e. V.

Typ	F2304
Nennkraft F_{nom} kN	1; 2; 3; 5; 10; 20; 30; 50; 100; 200
Nennkraft F_{nom} lbf	225; 450; 674; 1.124; 2.248; 4.496; 6.744; 11.240; 22.481; 44.962
Relative Linearitätsabweichung d_{lin} ¹⁾	$\pm 0,5 \% F_{nom}$
Relative Umkehrspanne v	$< 0,1 \% F_{nom}$
Relatives Kriechen, 30 min. bei F_{nom}	$0,1 \% F_{nom}$
Temperatureinfluss auf	
den Kennwert TK_C	$0,2 \% F_{nom}/10 K$
das Nullsignal TK_0	$0,2 \% F_{nom}/10 K$
Grenzkraft F_L	$150 \% F_{nom}$
Bruchkraft F_B	$300 \% F_{nom}$
Zulässige Schwingbeanspruchung F_{Rb}	$\pm 50 \% F_{nom}$ (nach DIN 50100)
Nennmessweg (typisch) s_{nom}	$< 0,1 mm$ [$< 0,004 in$]
Material des Messkörpers	Korrosionsbeständiger CrNi-Stahl 1.4542, ultraschallgeprüftes 3.1 Material (optional 3.2)
Nenntemperaturbereich $B_{T, nom}$	$-20 \dots +80 \text{ }^\circ C$ [$-4 \dots +176 \text{ }^\circ F$]
Gebrauchstemperaturbereich $B_{T, G}$	$-30 \dots +80 \text{ }^\circ C$ [$-22 \dots +176 \text{ }^\circ F$]
Lagertemperaturbereich $B_{T, S}$	$-40 \dots +85 \text{ }^\circ C$ [$-40 \dots +185 \text{ }^\circ F$]
Elektrischer Anschluss	Rundstecker M12 x 1, 4-polig
Ausgangssignal (Nennkennwert) C_{nom}	<ul style="list-style-type: none"> ■ 4 ... 20 mA, 2-Leiter ■ 4 ... 20 mA, 3-Leiter ■ DC 0 ... 10 V, 3-Leiter ■ Optional redundantes Signal ■ CANopen[®] Protokoll gemäß CiA 301, Geräteprofil 404, Kommunikationsdienst LSS (CiA 305), Konfiguration der Geräte-Adresse u. Baudrate Sync/Async, Node/Lifeguarding, Heartbeat; Nullpunkt und Spanne $\pm 10 \%$ einstellbar über Einträge ins Objektverzeichnis ²⁾
Strom/Leistungsaufnahme	Stromausgang: 4 ... 20 mA, Signalstrom: 2-Leiter
Versorgungsspannung UB	<ul style="list-style-type: none"> ■ DC 9 ... 36 V für Stromausgang ■ DC 13 ... 36 V für Spannungsausgang ■ DC 9 ... 36 V für CANopen[®]
Bürde	$\leq (UB - 10 V)/0,024 A$ für Stromausgang
Einstellzeit	$< 1 ms$ (innerhalb 10% bis 90% F_{nom}) ³⁾
Schutzart (nach EN/IEC 60529)	
Ungesteckter Zustand	IP66, IP67
Gesteckter Zustand	IP68, IP69, IP69K
Elektrische Schutzarten	Verpolungsschutz, Überspannungs- und Kurzschlussfestigkeit

1) Relative Linearitätsabweichung ist nach Richtlinie VDI/VDE/DKD 2638 Kapitel 3.2.6 angegeben.

2) Protokoll nach CiA 301, Geräteprofil 404, Kommunikationsdienst LSS (CiA 305) / 3) Andere Einstellzeiten auf Anfrage möglich.

CANopen[®] und CiA[®] sind registrierte Gemeinschaftsmarken des CAN in Automation e. V.

9. Technische Daten





Typ	F2304
Schwingungsbeständigkeit	20 g, 100 h, 50 ... 150 Hz (nach DIN EN 60068-2-6)
Störfestigkeit	Nach DIN EN 61326-1/DIN EN 61326-2-3 (optional EMV-geschützte Ausführungen)
Optionen	Zeugnisse, Festigkeitsnachweise, 3D-CAD-Daten (STEP, IGES) auf Anfrage

DE

9.1 Zulassungen

Logo	Beschreibung	Region
	EU-Konformitätserklärung EMV-Richtlinie	Europäische Union
	UKCA EMV-Richtlinie	Vereinigtes Königreich

Optionale Zulassungen

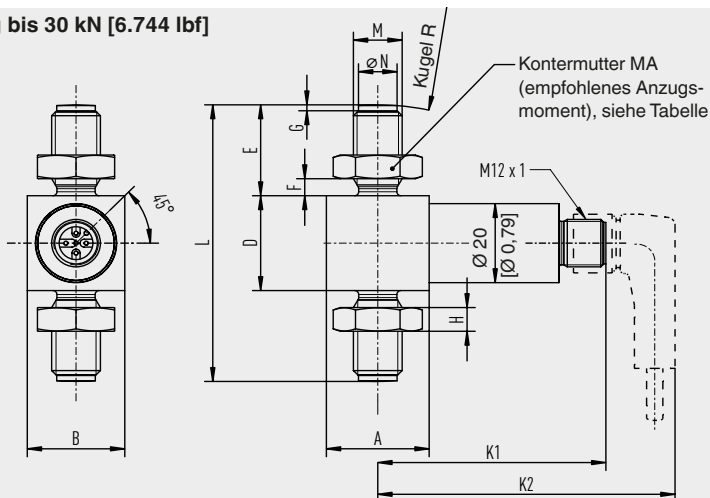
Logo	Beschreibung	Region
	ATEX-Richtlinie (option) Explosionsgefährdete Bereiche Ex ib Ex II 2G Ex ib IIC T4 Gb $-25\text{ °C} < T_{\text{amb}} < +85\text{ °C}$ Ex II 2G Ex ib IIC T3 Gb $-25\text{ °C} < T_{\text{amb}} < +100\text{ °C}$ Ex I M2 Ex ib I Mb $-25\text{ °C} < T_{\text{amb}} < +85\text{ °C}$ Ex II 2G Ex ib IIC T4 Gb $-40\text{ °C} < T_{\text{amb}} < +85\text{ °C}$ I M2 Ex ib I Mb (nur mit Kabelanschluss verfügbar)	Europäische Union
	IECEx (Option) Explosionsgefährdete Bereiche Ex ib Ex ib IIC T4/T3 Gb $-25\text{ °C} < T_{\text{amb}} < +85\text{ °C}$ Ex ib IIC T4 Gb $-25\text{ °C} < T_{\text{amb}} < +100\text{ °C}$ Ex ib I Mb $-25\text{ °C} < T_{\text{amb}} < +85\text{ °C}$ Ex ib IIC T4 Gb $-40\text{ °C} < T_{\text{amb}} < +85\text{ °C}$	International
	UL Komponentenzulassung	USA und Kanada
	EAC	Eurasische Wirtschaftsgemeinschaft

79106223.02 04/2023 EN/DE

9. Technische Daten

Abmessungen in mm [in] des Typs F2301

Ausführung bis 30 kN [6.744 lbf]



DE

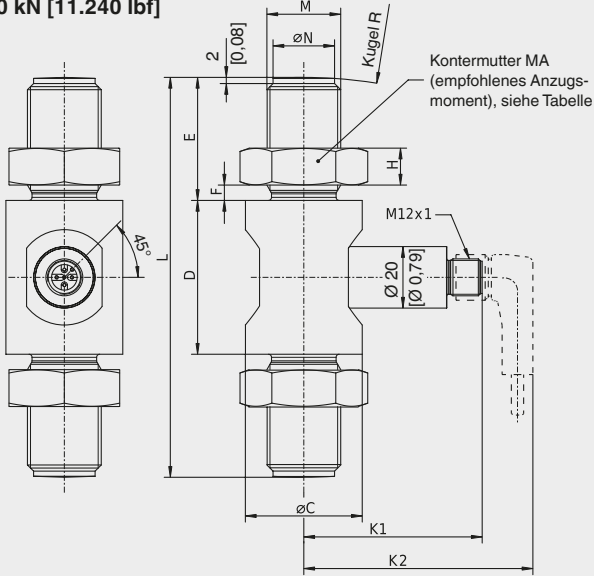
Nennlast in kN [lbf]	Abmessungen in mm [in]						
	A	B	D	E	F	G	H
1, 2, 3 [225], [450], [674]	25,3 [0,99]	24 [0,99]	24 [0,99]	23 [0,9]	4,3 [0,17]	1,5 [0,06]	6 [0,24]
5 [1.124]	25,3 [0,99]	24 [0,99]	24 [0,99]	23 [0,9]	4,3 [0,17]	1,5 [0,06]	6 [0,24]
10 [2.248]	25,3 [0,99]	24 [0,99]	31 [0,99]	23 [0,9]	4,3 [0,17]	1,5 [0,06]	6 [0,24]
20 [4.496]	25,3 [0,99]	26 [1]	35 [1,37]	34 [1,34]	3,8 [0,15]	2 [0,08]	10 [0,39]
30 [6.744]	26 [1,02]	27 [1,06]	44 [1,73]	34 [1,34]	3,8 [0,15]	2 [0,08]	10 [0,39]

Rated force in kN [lbf]	Abmessungen in mm [in]							MA (Nm)
	K1	K2	L	M	Ø N _{-0.1}	Kugel R	Nennmessweg	
1, 2, 3 [225], [450], [674]	56 [2,2]	76 [2,99]	70 [2,75]	M12	9,5 [0,37]	60 [2,36]	< 0,02 [0,00079]	15
5 [1.124]	56 [2,2]	76 [2,99]	70 [2,75]	M12	9,5 [0,37]	60 [2,36]	< 0,02 [0,00079]	15
10 [2.248]	56 [2,2]	76 [2,99]	77 [3,03]	M12	9,5 [0,37]	80 [3,15]	< 0,02 [0,00079]	15
20 [4.496]	56 [2,2]	76 [2,99]	103 [4,05]	M20 x 1,5	17 [0,67]	100 [3,94]	< 0,2 [0,0079]	60
30 [6.744]	56,5 [2,22]	76,5 [3,01]	112 [4,41]	M20 x 1,5	17 [0,67]	120 [4,72]	< 0,2 [0,0079]	60

79106223.02 04/2023 EN/DE

Abmessungen in mm [in] des Typs F2301

Ausführung ab 50 kN [11.240 lbf]

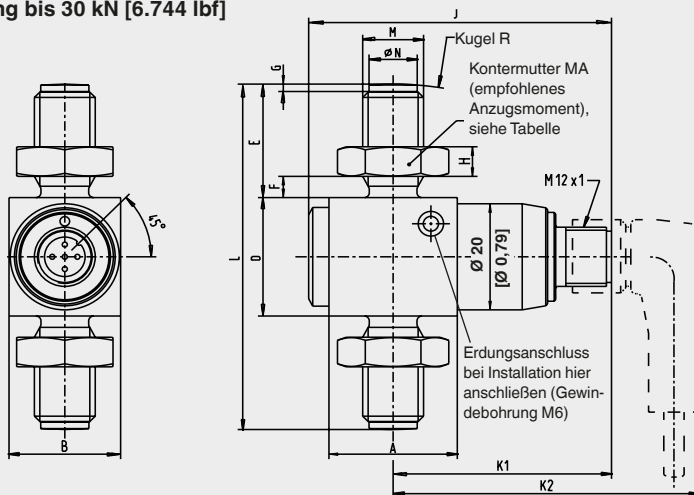


Nennlast in kN [lbf]	Abmessungen in mm [in]								
	$\varnothing C$	D	E	F	G	H	K1	K2	L
50 [11.240]	38 [1,5]	50 [1,97]	40 [1,57]	5 [0,2]	2 [0,08]	12 [0,47]	58 [2,28]	68 [2,68]	130 [5,12]
100 [22.481]	46 [1,81]	54 [2,16]	71 [2,8]	7,5 [0,3]	3 [0,12]	19,5 [0,76]	62,5 [2,46]	82,5 [3,25]	196 [7,72]
200 [44.962]	67 [2,64]	67 [2,64]	82 [3,23]	7,5 [0,3]	3 [0,12]	22,5 [0,88]	73 [2,87]	93 [3,66]	231 [9,09]
300 [67.443]	73 [2,87]	73 [2,87]	98 [3,86]	14 [0,55]	3 [0,12]	28 [1,1]	49 [1,93]	69 [2,72]	269 [10,6]
500 [112.404]	94 [3,7]	94 [3,7]	113 [4,45]	17 [0,67]	3 [0,12]	32 [1,26]	59 [2,32]	79 [3,11]	320 [12,6]

Nennlast in kN [lbf]	Abmessungen in mm [in]				MA (Nm)
	M	$\varnothing N_{-0,1}$	Kugel R	Nennmessweg	
50 [11.240]	M24 x 2	20 [0,79]	150 [5,9]	< 0,2 [< 0,0079]	110
100 [22.481]	M39 x 3	34 [1,34]	200 [7,87]	< 0,2 [< 0,0079]	390
200 [44.962]	M45 x 3	40 [1,57]	250 [9,84]	< 0,2 [< 0,0079]	495
300 [67.443]	M56 x 4	50 [1,97]	300 [11,8]	< 0,2 [< 0,0079]	640
500 [112.404]	M64 x 4	58 [2,28]	400 [15,75]	< 0,2 [< 0,0079]	760

Abmessungen in mm [in] des Typs F23C1

Ausführung bis 30 kN [6.744 lbf]



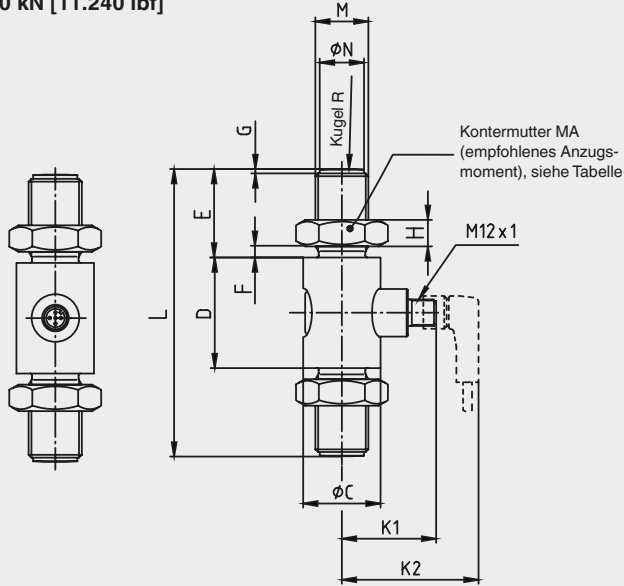
Nennlast in kN [lbf]	Abmessungen in mm [in]							
	A	B	D	E	F	G	H	J
1, 2, 3 [225], [450], [674]	25,3 [0,99]	22 [0,87]	24 [0,99]	23 [0,9]	4,3 [0,17]	1,5 [0,06]	6 [0,24]	59,7 [2,35]
5 [1.124]	25,3 [0,99]	22 [0,87]	24 [0,99]	23 [0,9]	4,3 [0,17]	1,5 [0,06]	6 [0,24]	59,7 [2,35]
10 [2.248]	25,3 [0,99]	22 [0,87]	31 [0,99]	23 [0,9]	4,3 [0,17]	1,5 [0,06]	6 [0,24]	59,7 [2,35]
20 [4.496]	25,3 [0,99]	26 [1]	33 [1,3]	34 [1,34]	3,8 [0,15]	2 [0,08]	10 [0,39]	59,7 [2,35]
30 [6.744]	27,6 [1,09]	27,5 [1,08]	40 [1,57]	34 [1,34]	3,8 [0,15]	2 [0,08]	10 [0,39]	61,5 [2,42]

Nennlast in kN [lbf]	Abmessungen in mm [in]							MA (Nm)
	K1	K2	L	M	Ø N _{-0.1}	Kugel R	Nennmess- weg	
1, 2, 3 [225], [450], [674]	43 [1,7]	63 [2,48]	70 [2,75]	M12	9,5 [0,37]	60 [2,36]	< 0,02 [0,00079]	15
5 [1.124]	43 [1,7]	63 [2,48]	70 [2,75]	M12	9,5 [0,37]	60 [2,36]	< 0,02 [0,00079]	15
10 [2.248]	43 [1,7]	63 [2,48]	77 [3,03]	M12	9,5 [0,37]	80 [3,15]	< 0,02 [0,00079]	15
20 [4.496]	43 [1,7]	63 [2,48]	101 [3,98]	M20 x 1,5	17 [0,67]	100 [3,94]	< 0,2 [0,0079]	60
30 [6.744]	44 [1,73]	64 [2,52]	108 [4,25]	M20 x 1,5	17 [0,67]	120 [4,72]	< 0,2 [0,0079]	60

9. Technische Daten

Abmessungen in mm [in] des Typs F23C1

Ausführung ab 50 kN [11.240 lbf]



Nennlast in kN [lbf]	Abmessungen in mm [in]								
	ØC	D	E	F	G	H	K1	K2	L
50 [11.240]	35 [1,38]	50 [1,97]	40 [1,57]	5 [0,2]	2 [0,08]	12 [0,47]	43 [1,7]	62 [2,44]	130 [5,12]
100 [22.481]	54 [2,16]	54 [2,16]	68 [2,68]	10 [0,39]	3 [0,12]	19,5 [0,76]	44 [1,73]	64 [2,52]	190 [7,48]
200 [44.962]	67 [2,64]	67 [2,64]	82 [3,23]	12 [0,47]	3 [0,12]	22,5 [0,88]	45 [1,77]	65 [2,56]	231 [9,09]
300 [67.443]	73 [2,87]	73 [2,87]	98 [3,86]	14 [0,55]	3 [0,12]	28 [1,1]	49 [1,93]	69 [2,72]	269 [10,6]
500 [112.404]	94 [3,7]	94 [3,7]	113 [4,45]	17 [0,67]	3 [0,12]	32 [1,26]	59 [2,32]	79 [3,11]	320 [12,6]

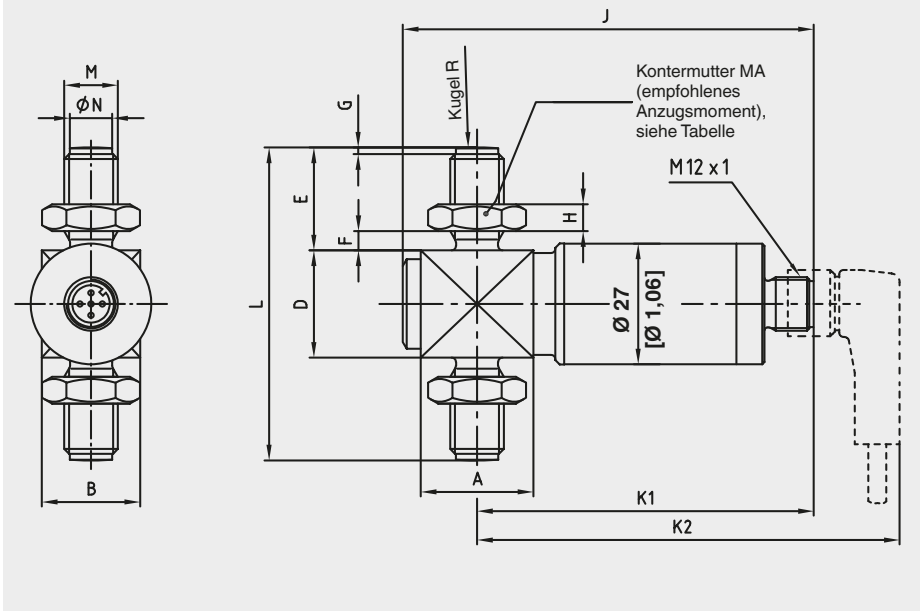
Rated force in kN [lbf]	Dimensions in mm [in]				MA (Nm)
	M	Ø N _{-0.1}	Sphere R	Rated displacement	
50 [11.240]	M24 x 2	20 [0,79]	150 [5,9]	< 0,2 [$< 0,0079$]	110
100 [22.481]	M39 x 3	34 [1,34]	200 [7,87]	< 0,2 [$< 0,0079$]	390
200 [44.962]	M45 x 3	40 [1,57]	250 [9,84]	< 0,2 [$< 0,0079$]	495
300 [67.443]	M56 x 4	50 [1,97]	300 [11,8]	< 0,2 [$< 0,0079$]	640
500 [112.404]	M64 x 4	58 [2,28]	400 [15,75]	< 0,2 [$< 0,0079$]	760

79106223.02 04/2023 EN/DE

9. Technische Daten

Abmessungen in mm [in] des Typs F2301 (Signalsprung)

Ausführung bis 30 kN [6.744 lbf]



DE

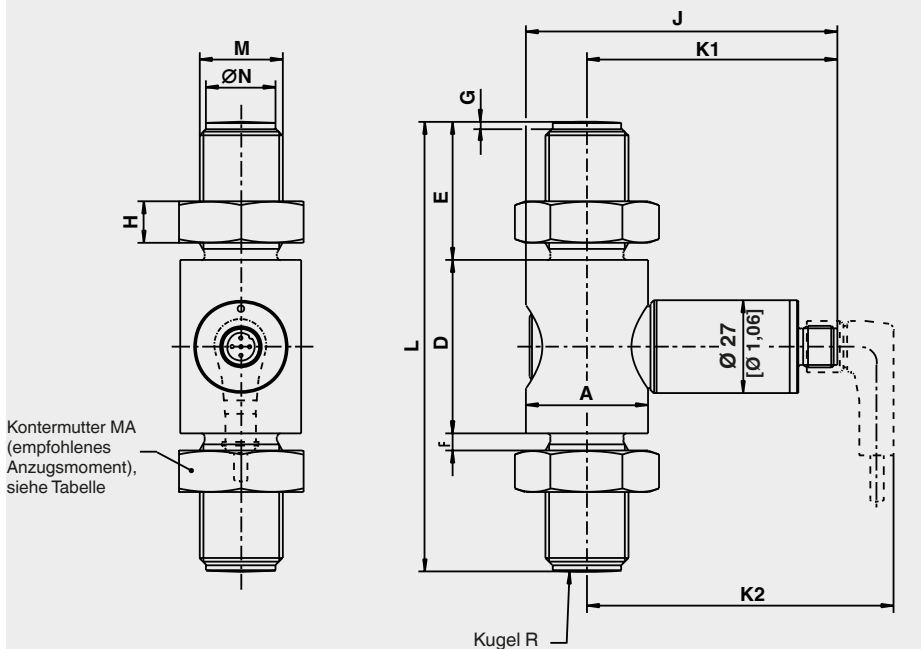
Nennlast in kN [lbf]	Abmessungen in mm [in]										
	A	B	D	E	F	G	H	J	K1	K2	L
5 [1.124]	25,2 [0,99]	22 [0,87]	24 [0,94]	23 [0,9]	4,3 [0,17]	1,5 [0,06]	6 [0,24]	89 [3,5]	72 [2,83]	91,5 [3,6]	70 [2,75]
10 [2.248]	25,2 [0,99]	22 [0,87]	31 [1,22]	23 [0,9]	4,3 [0,17]	1,5 [0,06]	6 [0,24]	89 [3,5]	72 [2,83]	91,5 [3,6]	77 [3,03]
20 [4.496]	25,2 [0,99]	26 [1,02]	33 [1,3]	34 [1,34]	3,8 [0,15]	2 [0,08]	10 [0,39]	91,5 [3,6]	73 [2,87]	91,5 [3,6]	101 [3,98]
30 [6.744]	27,5 [1,08]	27,5 [1,08]	40 [1,57]	34 [1,34]	3,8 [0,15]	2 [0,08]	10 [0,39]	91,5 [3,6]	73 [2,87]	92,5 [3,6]	108 [4,25]

Nennlast in kN [lbf]	Abmessungen in mm [in]			MA (Nm)
	M	Ø N _{-0,1}	Kugel R	
5 [1.124]	M12	9,5 [0,37]	60 [2,36]	15
10 [2.248]	M12	9,5 [0,37]	80 [3,15]	15
20 [4.496]	M20 x 1,5	17 [0,67]	100 [3,94]	60
30 [6.744]	M20 x 1,5	17 [0,67]	120 [4,72]	60

79106223.02 04/2023 EN/DE

Abmessungen in mm [in] des Typs F2301 (Signalsprung)

Ausführung ab 50 kN [11.240 lbf]



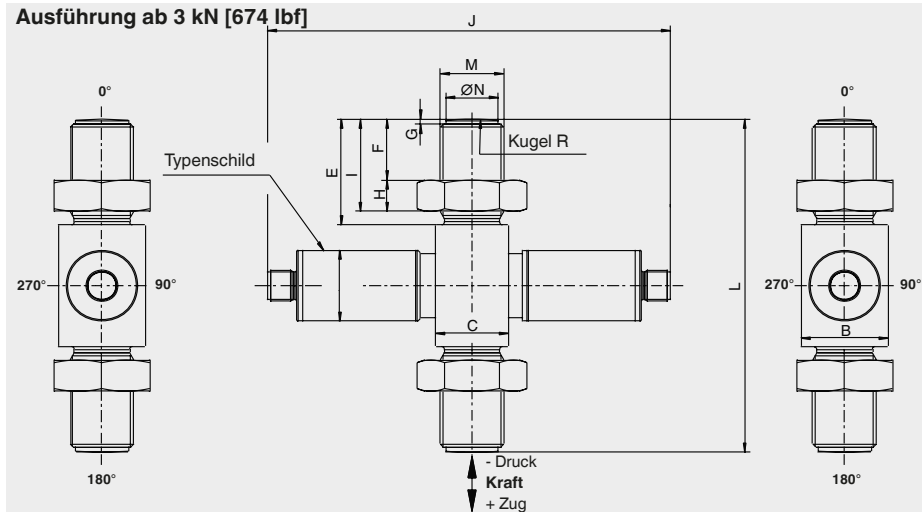
Nennlast in kN [lbf]	Abmessungen in mm [in]									
	ØA	D	E	F	G	H	J	K1	K2	L
50 [11.240]	35 [1,38]	50 [1,97]	40 [1,57]	5 [0,2]	2 [0,08]	12 [0,47]	91,5 [3,6]	73 [2,87]	90,2 [3,55]	130 [5,12]
100 [22.481]	54 [2,16]	54 [2,16]	68 [2,68]	10 [0,39]	3,7 [0,15]	19,5 [0,76]	91,5 [3,6]	71 [2,79]	91 [3,58]	197 [7,75]

Nennlast in kN [lbf]	Abmessungen in mm [in]				MA (Nm)
	M	ØN -0.1	Kugel R	Nennmessweg	
50 [11.240]	M24 x 2	20 [0,79]	150 [5,9]	< 0,2 [< 0,0079]	110
100 [22.481]	M39 x 3	34 [1,34]	200 [7,87]	< 0,2 [< 0,0079]	390

9. Technische Daten

Abmessungen in mm [in] des Typs F23S1

Ausführung ab 3 kN [674 lbf]



DE

Nennlast in kN [lbf]	Abmessungen in mm [in]									
	B	C	E	F	G	H	I	J	L	
3-7 [674,48-1,574]	22 [0,87]	25,3 [0,99]	23 [0,9]	12,7 [0,5]	1,5 [0,06]	6 [0,27]	18,7 [0,736]	152,5 [6]	75 [2,95]	
6-13 [1,349-2,923]	25,3 [0,99]	25,3 [0,99]	26 [1]	13,5 [0,53]	1,5 [0,06]	8 [0,315]	21,5 [0,85]	152,5 [6]	85 [3,35]	
12-26 [2,698-5,845]	27,5 [1,08]	27,6 [1,09]	34 [1,34]	20,2 [0,79]	2 [0,079]	10 [0,39]	30,2 [1,19]	152,5 [6]	108 [4,25]	
18-40 [4,047-8,992]	33 [1,3]	27,6 [1,09]	40 [1,57]	23 [0,9]	2 [0,079]	12 [0,47]	35 [1,38]	152,5 [6]	126 [4,96]	
31-70 [6,969-15,737]	40 [1,57]	40 [1,57]	48 [1,89]	25 [0,98]	2 [0,079]	15 [0,59]	40 [1,57]	157,4 [6,2]	154 [6,06]	
67-151 [15,062-33,946]	60 [2,36]	60 [2,36]	78 [3,07]	47,8 [1,88]	3 [0,19]	19,7 [0,78]	67,5 [2,66]	177,4 [6,98]	223 [8,78]	

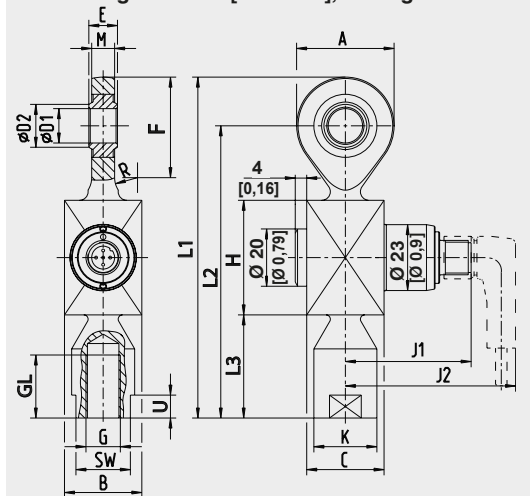
Nennlast in kN [lbf]	Abmessungen in mm [in]		
	M	ØN _{-0,1}	Kugel R
3-7 [674,48-1,574]	M12	9,5 [0,37]	60 [2,36]
6-13 [1,349-2,923]	M16 x 1,5	13 [0,51]	80 [3,15]
12-26 [2,698-5,845]	M20 x 1,5	17 [0,67]	120 [4,72]
18-40 [4,047-8,992]	M24 x 2	20 [0,79]	120 [4,72]
31-70 [6,969-15,737]	M30 x 2	26 [1,02]	150 [5,9]
67-151 [15,062-33,946]	M42 x 2	38 [1,5]	250 [9,84]

79106223.02 04/2023 EN/DE

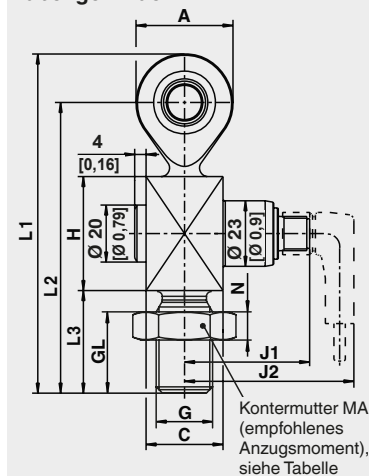
9. Technische Daten

Abmessungen in mm [in] des Typs F2303

Ausführung ab 10 kN [2.248 lbf], Innengewinde



Ausführung ab 10 kN [2.248 lbf], Außengewinde



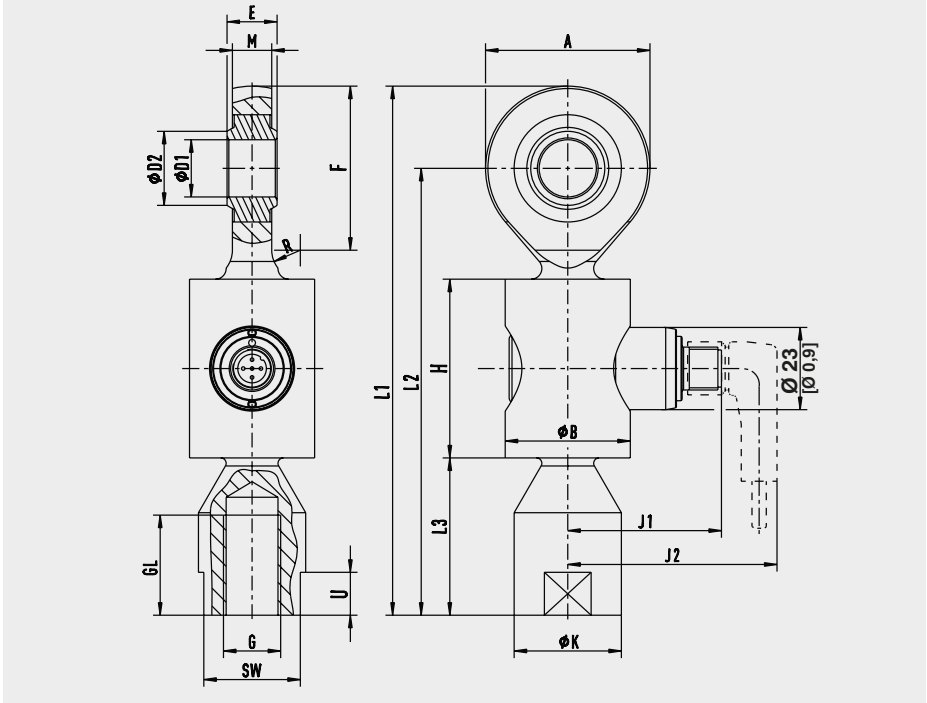
Nennlast in kN [lbf]	Gewindeausführung	Abmessungen in mm [in]									
		A	B	C	ØD1 -0.008	ØD2	E	F	G	GL	H
10 [2.248]	Innen	34 [1,34]	27 [1,06]	27 [1,06]	12 [0,5]	15 [0,6]	10 [0,4]	35,1 [1,38]	M10 x 1,25	21 [0,83]	40 [1,57]
10 [2.248]	Außen	34 [1,34]	28 [1]	28,7 [1,13]	20 [0,79]	35 [1,37]	19 [0,75]	46 [1,8]	M20 x 1,5	24,5 [0,96]	33 [1,3]
18 [4.047]	Innen	34 [1,34]	27 [1,06]	27 [1,06]	12 [0,5]	15 [0,6]	10 [0,4]	35 [1,37]	M12 x 1,25	22 [0,87]	40 [1,57]
18 [4.047]	Außen	34 [1,34]	27 [1,06]	27 [1,06]	12 [0,5]	15 [0,6]	10 [0,4]	35 [1,37]	M20 x 1,25	22 [0,87]	40 [1,57]
20 [4.496]	Außen	34 [1,34]	28 [1]	28,7 [1,13]	20 [0,79]	35 [1,37]	19 [0,75]	46 [1,8]	M20 x 1,25	24,5 [0,96]	33 [1,3]

Nennlast in kN [lbf]	Gewindeausführung	Abmessungen in mm [in]										MA [Nm]
		J1	J2	ØK	L1	L2	L3	M	SW	U	N	
10 [2.248]	Innen	44 [1,73]	63 [2,48]	22 [0,87]	119 [4,68]	102 [4]	36 [1,42]	8 [0,31]	19 [0,75]	8 [0,31]	-	-
10 [2.248]	Außen	44 [1,73]	63 [2,48]	-	117,5 [4,63]	92,5 [3,64]	30,5 [1,2]	14 [0,55]	19 [0,75]	-	10 [0,4]	60
18 [4.047]	Innen	44 [1,73]	63 [2,48]	22 [0,87]	119 [4,68]	102 [4]	36 [1,42]	8 [0,31]	19 [0,75]	8 [0,31]	-	-
18 [4.047]	Außen	44 [1,73]	63 [2,48]	-	119 [4,68]	102 [4]	36 [1,42]	8 [0,31]	19 [0,75]	-	10 [0,4]	60
20 [4.496]	Außen	44 [1,73]	63 [2,48]	-	117,5 [4,63]	92,5 [3,64]	30,5 [1,2]	14 [0,55]	19 [0,75]	-	10 [0,4]	60

9. Technische Daten

Abmessungen in mm [in] des Typs F2303

Ausführung ab 34 kN [7.644 lbf]



Nennlast in kN [lbf]	Gewinde- aus- führung	Abmessungen in mm [in]								
		A	B	ØD1 -0,008	ØD2	E	F	G	GL	H
34 [7.644]	Innen	46 [1,81]	35 [1,38]	17 [0,67]	20,7 [0,82]	14 [0,55]	46 [1,81]	M16 x 1,5	28 [1,1]	50 [1,97]
45 [10.116]	Innen	53 [2,09]	54 [2,16]	20 [0,79]	24,2 [0,95]	16 [0,63]	54 [2,16]	M16 x 1,5	33 [1,3]	54 [2,16]

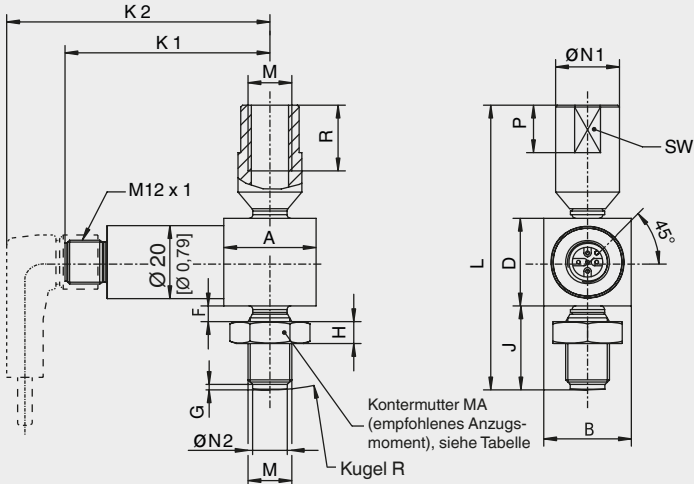
Nennlast in kN [lbf]	Gewinde- aus- führung	Abmessungen in mm [in]								
		J1	J2	ØK	L1	L2	L3	M	SW	U
34 [7.644]	Innen	43 [1,7]	62 [2,44]	30 [1,18]	148 [5,83]	125 [4,92]	44 [1,73]	11 [0,43]	27 [1,06]	12 [0,47]
45 [10.116]	Innen	44 [1,73]	63 [2,48]	35 [1,38]	171 [6,73]	144,5 [5,69]	54 [2,16]	13 [0,51]	32 [1,26]	13 [0,51]

79106223.02 04/2023 EN/DE

9. Technische Daten

Abmessungen in mm [in] des Typs F2304

Ausführung bis 30 kN [6.744 lbf]



Nennlast in kN [lbf]	Abmessungen in mm [in]									
	A	B	D	F	G	H	J	K1	K2	L
1 [225], 2 [450], 3 [674]	25,3 [0,99]	24 [0,94]	24 [0,94]	4,3 [0,17]	1,5 [0,06]	6 [0,24]	23 [0,9]	56 [2,2]	76 [2,99]	78 [3,07]
5 [1.124]	25,3 [0,99]	24 [0,94]	24 [0,94]	4,3 [0,17]	1,5 [0,06]	6 [0,24]	23 [0,9]	56 [2,2]	76 [2,99]	78 [3,07]
10 [2.248]	25,3 [0,99]	24 [0,94]	31 [1,22]	4,3 [0,17]	1,5 [0,06]	6 [0,24]	23 [0,9]	56 [2,2]	76 [2,99]	85 [3,35]
20 [4.496]	25,3 [0,99]	26 [1,02]	35 [1,38]	3,8 [0,15]	2 [0,08]	10 [0,4]	34 [1,34]	56 [2,2]	76 [2,99]	113 [3,35]
30 [7.644]	26 [1,02]	27 [1,06]	40 [1,57]	3,8 [0,15]	2 [0,08]	10 [0,4]	34 [1,34]	56,5 [2,22]	76,5 [3,01]	118 [4,64]

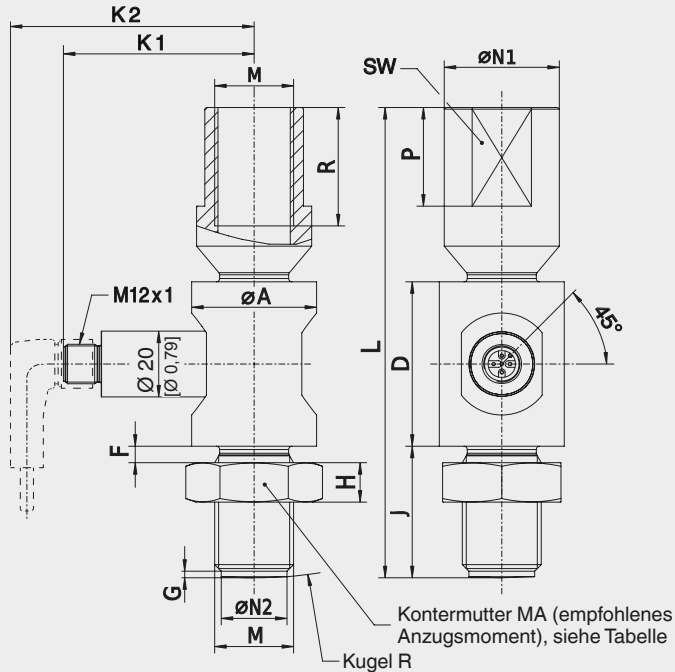
Nennlast in kN [lbf]	Abmessungen in mm [in]								MA [Nm]
	M	R	SW	P	ØN1	ØN2 _{0,1}	Kugel R	Nenn- messweg	
1 [225], 2 [450], 3 [674]	M12	18 [0,71]	16 [0,63]	13 [0,51]	17,5 [0,29]	9,5 [0,37]	60 [2,36]	< 0,5 [< 0,02]	15
5 [1.124]	M12	18 [0,71]	16 [0,63]	13 [0,51]	17,5 [0,29]	9,5 [0,37]	60 [2,36]	< 0,5 [< 0,02]	15
10 [2.248]	M12	18 [0,71]	16 [0,63]	13 [0,51]	17,5 [0,29]	9,5 [0,37]	80 [3,15]	< 0,5 [< 0,02]	15
20 [4.496]	M20x1,5	30 [1,18]	26 [1,02]	20 [0,79]	31 [1,22]	17 [0,67]	100 [3,94]	< 0,5 [< 0,02]	60
30 [7.644]	M20x1,5	30 [1,18]	26 [1,02]	20 [0,79]	31 [1,22]	17 [0,67]	120 [4,72]	< 0,5 [< 0,02]	60

79106223.02 04/2023 EN/DE

9. Technische Daten

Abmessungen in mm [in] des Typs F2304

Ausführung ab 50 kN [11.240 lbf]



Nennlast in kN [lbf]	Abmessungen in mm [in]								
	ØA	D	F	G	H	J	K1	K2	L
50 [11.240]	38 [1,5]	50 [1,97]	5 [0,2]	2 [0,08]	12 [0,47]	40 [1,57]	58 [2,28]	68 [2,68]	143 [5,63]
100 [22.481]	46 [1,81]	54 [2,16]	7,5 [0,3]	3 [0,12]	19,5 [0,76]	71 [2,8]	62,5 [2,46]	82,5 [3,25]	209,5 [8,25]
200 [44.962]	67 [2,64]	67 [2,64]	7,5 [0,3]	3 [0,12]	22,5 [0,88]	82 [3,23]	73 [2,87]	93 [3,66]	243 [9,57]

Nennlast in kN [lbf]	Abmessungen in mm [in]								MA [Nm]
	M	R	SW	P	ØN1	ØN2 _{0,1}	Kugel R	Nennmessweg	
50 [11,240]	M24 x 2	36 [1,42]	30 [1,18]	30 [1,18]	35 [1,38]	20 [0,79]	150 [5,9]	< 0,5 [< 0,02]	110
100 [22,481]	M39 x 3	58,5 [2,3]	50 [1,97]	50 [1,97]	56 [2,2]	34 [1,34]	200 [7,87]	< 0,5 [< 0,02]	390
200 [44,962]	M45 x 3	67,5 [2,66]	55 [2,16]	56 [2,2]	65 [2,56]	40 [1,57]	250 [9,84]	< 0,5 [< 0,02]	495

10. Zubehör

WIKA-Zubehör finden Sie online unter www.wika.com.

10.2 Kabel

Kabel mit M12 x 1 Stecker

Kabeldose M12 x 1		Bestellnummer		
		l = 2 m [78,74 in]	l = 5 m [78,74 in]	l = 10 m [393,7 in]
4-polig mit Kabel	Gerade	14259451	14259453	14259454
	Gewinkelt	14259452	14293481	14259455
4-polig mit Kabel	Gerade	14259458	14259459	14259472
	Gewinkelt	79101493	79100686	11009969

Andere Kabellängen und Kabelarten sind auf Anfrage erhältlich.

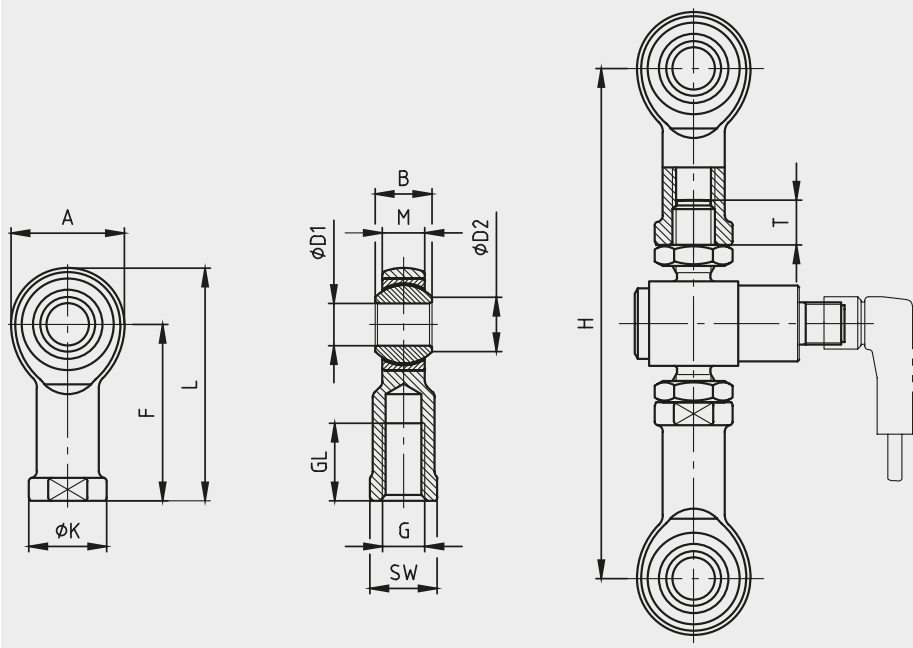
10.1 Gelenkköpfe

Abmessungen in mm [in]

Zubehör: Gelenkköpfe nach DIN ISO 12240-4

Ø -D1 = 12 ... 25 mm [0,47 ... 0,98 in] - Maßreihe K

Ø -D2 = 40 ... 80 mm [1,57 ... 3,15 in] - Maßreihe E



10. Zubehör

DE

Nennlast		Abmessungen in mm [in]					
kN	lbf	A	B	Ø D ₁	Ø D ₂	F	G
1, 2, 3, 5, 10	[225], [450], [674], [1.124], [2.248]	32 [1,26]	16 [0,63]	12 H7 [0,47 H7]	15,4 [0,61]	50 [1,97]	M12
20, 30	[4.496], [6.744]	50 [1,97]	25 [0,98]	20 H7 [0,79 H7]	24,3 [0,96]	77 [3,03]	M20 x 1,5
50	[11.240]	60 [2,36]	31 [1,22]	25 H7 [0,98 H7]	29,6 [1,16]	94 [3,7]	M24 x 2
100	[22.481]	92 [3,62]	28 [1,10]	40 _{-0,012} [1,57 _{-0,0005}]	45 [1,77]	142 [5,59]	M39 x 3
200	[44.962]	112 [4,41]	35 [1,38]	50 _{-0,012} [1,97 _{-0,0005}]	56 [2,2]	160 [6,3]	M45 x 3
300	[67.443]	160 [6,3]	49 [1,93]	70 _{-0,015} [2,75 _{-0,0006}]	77,9 [3,07]	200 [7,87]	M56 x 4
500	[112.404]	180 [7,09]	55 [2,16]	80 _{-0,015} [3,15 _{-0,0006}]	89,4 [3,52]	230 [9,05]	M64 x 4

Nennlast in		Abmessungen in mm [in]					Gewicht in kg [lbs]
kN	lbf	GL	ØK	L	M	SW	
1, 2, 3, 5, 10	[225], [450], [674], [1.124], [2.248]	22 [0,87]	22 [0,87]	55 [2,16]	12 [0,47]	19 [0,75]	0,115 [0,254]
20, 30	[4.496], [6.744]	33 [1,3]	34 [1,34]	102 [4,02]	18 [0,71]	32 [1,26]	0,415 [0,915]
50	[11.240]	42 [1,65]	42 [1,65]	124 [4,88]	22 [0,87]	36 [1,42]	0,750 [1,653]
100	[22.481]	65 [2,56]	65 [2,56]	188 [7,4]	23 [0,9]	55 [2,16]	2 [4,41]
200	[44.962]	68 [2,68]	75 [2,95]	216 [8,5]	30 [1,18]	65 [2,56]	3,5 [7,72]
300	[67.443]	80 [3,15]	98 [3,86]	280 [11]	42 [1,65]	85 [3,35]	8,6 [18,96]
500	[112.404]	85 [3,35]	110 [4,33]	320 [12,6]	47 [1,85]	100 [3,94]	12 [26,45]

Nennlast		Abmessungen in		Mindesteinschraubtiefe	
mm	lbf	H [mm]	H [in]	T [mm]	T [in]
1, 2, 3, 5	225, 450, 674, 1.124	148 ± 3	5,83 ± 0,12	9,5	0,37
10	2.248	155 ± 3	6,10 ± 0,12	9,5	0,37
20	4.496	219 ± 4	8,62 ± 0,16	16	0,63
30	6.744	226 ± 4	8,88 ± 0,16	16	0,63
50	11.240	276 ± 4	10,87 ± 0,16	19,5	0,77
100	22.481	405 ± 7	15,94 ± 0,28	31	1,22
200	44.962	466 ± 13	18,35 ± 0,51	36	1,48
300	67.443	568 ± 11	22,36 ± 0,43	45	1,77
500	112.404	665 ± 13	26,18 ± 0,51	51	2,01



EU-Konformitätserklärung EU Declaration of Conformity

Dokument Nr. 14569202
Document No.

Revision 1
Issue

Wir erklären in alleiniger Verantwortung, dass die mit CE gekennzeichneten Produkte
We declare under our sole responsibility that the CE marked products

Typenbezeichnung
Type Designation F2301, F2303, F2304

Beschreibung
Description Zug-/Druck-Kraftaufnehmer
Tension/compression force transducer

gemäß gültigem Datenblatt
according to the valid data sheet FO51.17, FO51.46, FO51.47

mit den nachfolgenden relevanten Harmonisierungsvorschriften der Union
are in conformity with the following relevant Union harmonisation legislation Angewandte harmonisierte Normen
Applied harmonised standards

2014/30/EU Elektromagnetische Verträglichkeit (EMV)
Electromagnetic Compatibility (EMC)

EN 61326-1:2013
EN 61326-2-3:2013
EN 55011:2016 + A1:2017 + A11:2020
+ A2:2021

Unterszeichnet für und im Namen von / *Signed for and on behalf of*
Bevollmächtigter / Authorised representative

tectsis GmbH
Offenbach, 2022-09-30

Michael Kirsch, QM Manager
tectsis GmbH, CoE Force Management

Hersteller / Manufacturer

WIKALexander Wiegand SE & Co. KG

Stefan Richter, General Management
tectsis GmbH, CoE Force Management

WIKALexander Wiegand SE & Co. KG
Alexander-Wiegand-Straße 30
63911 Klingenberg
Germany
WEEE-Reg.-Nr. DE 92770372
09/2022

Tel. +49 9372 132-0
Fax +49 9372 132-406
E-Mail info@wika.de
www.wika.de

Kommanditgesellschaft, Sitz Klingenberg –
Amtsgericht Aschaffenburg HRA 1819

Komplementärin:
WIKALinternational SE - Sitz Klingenberg -
Amtsgericht Aschaffenburg HRB 10505
Vorstand: Alexander Wiegand
Vorsitzender des Aufsichtsrats: Prof. Dr. Roderich C. Thümmel
ZZAR-04455

79106223.02 04/2023 EN/DE



UK Declaration of Conformity

Document No. 14573254

Issue 1

We declare under our sole responsibility that the UKCA marked products

Type Designation	F2301, F2303, F2304
Description	Tension/compression force transducer
according to the valid data sheet	FO51.17, FO51.46, FO51.47
comply with the applicable UK Statutory Requirements	Applied designated standards ⁽⁰⁾

Electromagnetic Compatibility Regulations 2016 No. 1091 (as amended)

EN 61326-1:2013
EN 61326-2-3:2013
EN 55011:2016 + A1:2017 + A11:2020 + A2:2021

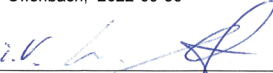
- (0) At the time of writing this document designated standards are prefixed "BS", "EN", "EN ISO" or "EN IEC". Where the designated standard specified in the notice of publication is prefixed "EN" it is acceptable to reference this version in technical documentation, or a version of the same standard with a national prefix. For more information see <https://www.gov.uk/guidance/designated-standards>.

Signed for and on behalf of

Authorised representative

tecsis GmbH

Offenbach, 2022-09-30


Michael Kirsch, QM Manager
tec sis GmbH, CoE Force Management

Manufacturer

WIKA Alexander Wiegand SE & Co. KG


Stefan Richter; General Management
tec sis GmbH, CoE Force Management

WIKA Alexander Wiegand SE & Co. KG
Alexander-Wiegand-Straße 30
63911 Klingenberg
Germany
WEEE-Reg.-Nr. DE 92770372
09/2022

Tel. +49 9372 132-0
Fax +49 9372 132-406
E-Mail info@wika.de
www.wika.de

Kommanditgesellschaft; Sitz Klingenberg –
Amtsgericht Aschaffenburg HRA 1819

Komplementärin:
WIKA International SE - Sitz Klingenberg -
Amtsgericht Aschaffenburg HRB 10505
Vorstand: Alexander Wiegand
Vorsitzender des Aufsichtsrats: Prof. Dr. Roderich C. Thümmel
22AR-04455

79106223.02 04/2023 EN/DE



