

Hydraulic ring force transducers - Geotechnical version
Models F6137, F6148, F6160, F6171

EN

Hydraulische Ringkraftaufnehmer - Geotechnik-Ausführung
Typen F6137, F6148, F6160, F6171

DE

CE EAC



Model F6137

WIKAI

Part of your business

EN Operating instructions models F6137, F6148, F6160, F6171 **Page** 3 - 32

DE Betriebsanleitung Typen F6137, F6148, F6160, F6171 **Seite** 33 - 63

© 10/2020 WIKA Alexander Wiegand SE & Co. KG
All rights reserved. / Alle Rechte vorbehalten.
WIKA® and tecsis® are registered trademarks in various countries.
WIKA® and tecsis® sind geschützte Marken in verschiedenen Ländern.

Prior to starting any work, read the operating instructions!
Keep for later use!

Vor Beginn aller Arbeiten Betriebsanleitung lesen!
Zum späteren Gebrauch aufbewahren!

Contents

1. General information	4
2. Design and function	5
2.1 Overview	5
2.2 Description	6
2.3 Scope of delivery	6
3. Safety	6
3.1 Explanation of symbols	6
3.2 Intended use	7
3.3 Improper use	8
3.4 Responsibility of the operator	8
3.5 Personnel qualification	9
3.6 Personal protective equipment	9
3.7 Labelling, safety marks	10
4. Transport, packaging and storage	11
4.1 Transport	11
4.2 Packaging and storage	11
5. Commissioning, operation	12
5.1 Mounting preparation	12
5.2 Mounting instructions	12
5.3 Mounting of the hydraulic ring force transducer	13
5.4 Commissioning of the hydraulic ring force transducer with digital pressure gauge	15
5.5 Electrical connection - Hydraulic ring force transducer with pressure sensor	17
6. Faults	18
6.1 Faults of the hydraulic ring force transducer with pressure gauge/digital pressure gauge	18
6.2 Faults of the hydraulic ring force transducer with pressure sensor	19
7. Maintenance and cleaning	20
7.1 Maintenance	20
7.2 Cleaning	20
7.3 Recalibration	20
8. Dismounting, return and disposal	21
8.1 Dismounting	21
8.2 Return	21
8.3 Disposal	21
9. Specifications	22
9.1 Approvals	30
10. Accessories	30
10.1 Cables	30
Annex: EU declaration of conformity	31

EN

1. General information

- The hydraulic ring force transducers described in the operating instructions have been designed and manufactured using state-of-the-art technology. All components are subject to stringent quality and environmental criteria during production. Our management systems are certified to ISO 9001.
- These operating instructions contain important information on handling the instrument. Working safely requires that all safety instructions and work instructions are observed.
- Observe the relevant local accident prevention regulations and general safety regulations for the instrument's range of use.
- The operating instructions are part of the product and must be kept in the immediate vicinity of the instrument and readily accessible to skilled personnel at any time. Pass the operating instructions on to the next operator or owner of the instrument.
- Skilled personnel must have carefully read and understood the operating instructions prior to beginning any work.
- The general terms and conditions contained in the sales documentation shall apply.
- Subject to technical modifications.
- Factory calibrations/DKD/DAkkS calibrations are carried out in accordance with international standards.

Further information:

- Internet address: www.wika.de
- Relevant data sheet: FO 52.20 - F6137
FO 52.21 - F6148
FO 52.22 - F6160
FO 52.23 - F6171

- Application consultant: Tel.: +49 9372 132-0
Fax: +49 9372 132-406
info@wika.de

Abbreviations, definitions

- 2-wire The two connection lines are used for the voltage supply.
 The measuring signal also provides the supply current.
- 3-wire Two connection lines are used for the voltage supply.
 One connection line is used for the measuring signal.
- UB+ Positive power supply terminal
- UB- Negative power supply terminal
- S+ Positive output terminal
- S- Negative output terminal

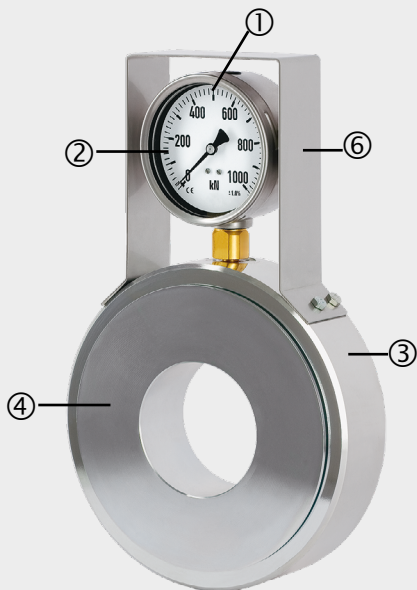
2. Design and function

2.1 Overview

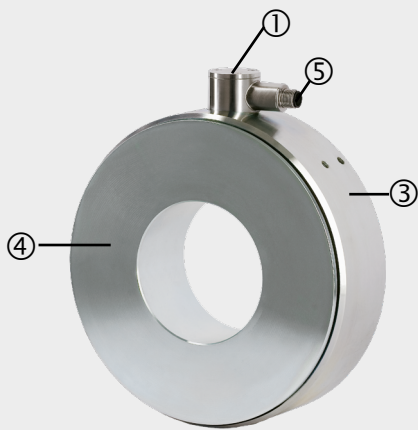
Hydraulic ring force transducer consisting of:

- ① Pressure measuring instrument (pressure gauge or pressure sensor)
- ② Adapter
- ③ Measuring piston case
- ④ Measuring piston (force introduction)
- ⑤ Electrical connection
- ⑥ Guard bracket

Hydraulic ring force transducer with mounted pressure gauge



Hydraulic ring force transducer with mounted pressure sensor



2.2 Description

Hydraulic ring force transducers are designed for measuring static and dynamic compression forces. They comprise an hydraulic force transducer and a mounted pressure measuring instrument (pressure gauge, pressure sensor).

The measuring body is manufactured from galvanised steel. The force acting on the measuring piston is transmitted as pressure, proportional to the piston area, via the fill fluid in the measuring piston to the pressure measuring instrument.

2.3 Scope of delivery

- Hydraulic ring force transducer incl. mounted pressure measuring instrument
- Operating instructions

3. Safety

3.1 Explanation of symbols



WARNING!

... indicates a potentially dangerous situation that can result in serious injury or death, if not avoided.



CAUTION!

... indicates a potentially dangerous situation that can result in light injuries or damage to property or the environment, if not avoided.



Information

... points out useful tips, recommendations and information for efficient and trouble-free operation.

3.2 Intended use

The hydraulic ring force transducers are designed for static and dynamic compression forces in the field of geotechnology for measuring anchor forces.

Model	Nominal size	Rated force
F6137	NS 82	0 ... 80 kN to 0 ... 700 kN
F6148	NS 146	0 ... 150 kN to 0 ... 1,500 kN
F6160	NS 383	0 ... 400 kN to 0 ... 3,200 kN
F6171	NS 827	0 ... 800 kN to 0 ... 6,000 kN

Applies to the hydraulic ring force transducer with mounted pressure sensor:

The instrument has been designed and tested in accordance with the relevant safety regulations for electronic measuring instruments. Any usage outside of this is deemed to be improper. The perfect functioning and operational safety of the force transducers can only be guaranteed when complying with the instructions given in the operating instructions. During its use, the legal and safety regulations (e.g. VDE 0100) required for the particular application must additionally be observed. This also applies accordingly when using accessories. Faultless and safe operation of this measuring unit requires proper transport, professional storage, installation and mounting and careful operation and corrective maintenance.

The instrument has been designed and built solely for the intended use described here, and may only be used accordingly.

The technical specifications contained in these operating instructions must be observed. Improper handling or operation of the instrument outside of its technical specifications requires the instrument to be taken out of service immediately and inspected by an authorised service engineer.

Handle electronic precision measuring instruments with the required care (protect from humidity, impacts, strong magnetic fields, static electricity and extreme temperatures, do not insert any objects into the instrument or its openings). Plugs and sockets must be protected from contamination.

The manufacturer shall not be liable for claims of any type based on operation contrary to the intended use.

3.3 Improper use



WARNING!

Injuries through improper use

Improper use of the instrument can lead to hazardous situations and injuries.

- ▶ Refrain from unauthorised modifications to the instrument.

Any use beyond or different to the intended use is considered as improper use.

3.4 Responsibility of the operator

The instrument is used in the industrial sector. The operator is therefore responsible for legal obligations regarding occupational safety.

The safety instructions within these operating instructions, as well as the safety, accident prevention and environmental protection regulations for the application area of the instrument must be maintained.

The operator is obliged to maintain the product label in a legible condition.

To ensure safe working on the instrument, the operating company must ensure

- that suitable first-aid equipment is available and aid is provided whenever required.
- that the skilled electrical personnel are regularly instructed in all topics regarding occupational safety, first aid and environmental protection and know the operating instructions and in particular, the safety instructions contained therein.
- that the instrument is suitable for the particular application in accordance with its intended use.
- that personal protective equipment is available.

3.5 Personnel qualification



WARNING!

Risk of injury should qualification be insufficient

Improper handling can result in considerable injury and damage to property.

- ▶ The activities described in these operating instructions may only be carried out by skilled personnel who have the qualifications described below.

Skilled electrical personnel

Skilled electrical personnel are understood to be personnel who, based on their technical training, know-how and experience as well as their knowledge of country-specific regulations, current standards and directives, are capable of carrying out work on electrical systems and independently recognising and avoiding potential hazards. The skilled electrical personnel have been specifically trained for the work environment they are working in and know the relevant standards and regulations. The skilled electrical personnel must comply with current legal accident prevention regulations.

3.6 Personal protective equipment

The requirements for the required protective equipment result from the ambient conditions at the place of use, other products or the connection to other products.

The requisite personal protective equipment must be provided by the operating company. The operator is in no way relieved of his obligations under labour law for the safety and the protection of workers' health.

The design of the personal protective equipment must take into account all operating parameters of the place of use.

3.7 Labelling, safety marks

Product label

EN

Product label for hydraulic ring force transducer with pressure gauge



Product label for hydraulic ring force transducer with pressure sensor



- ① Model
- ② Nominal size
- ③ Measuring range
- ④ Serial number, tag number
- ⑤ Date of manufacture calendar week/year
- ⑥ Output signal
- ⑦ Manufacturer/address



Observe the instructions stated on the product label of the pressure measuring instrument.

4. Transport, packaging and storage

4.1 Transport

Check the hydraulic ring force transducer for any damage that may have been caused by transport. Obvious damage must be reported immediately.



CAUTION!

Damage through improper transport

With improper transport, a high level of damage to property can occur.

- ▶ When unloading packed goods upon delivery as well as during internal transport, proceed carefully and observe the symbols on the packaging.
- ▶ With internal transport, observe the instructions in chapter 4.2 “Packaging and storage”.

As precision measuring instruments, hydraulic ring force transducers require careful handling during transport and mounting. Load impacts during transport (e.g. hitting a hard surface) can lead to irreversible damage, resulting in measuring errors in the subsequent measuring operation.

4.2 Packaging and storage

Do not remove packaging until just before mounting.

Keep the packaging as it will provide optimum protection during transport (e.g. change in installation site, sending for repair).

The hydraulic ring force transducer has been manufactured from coated steel.

- The design with pressure gauge fulfils IP65 ingress protection.
- The design with digital pressure gauge fulfils IP65 ingress protection.
- The design with pressure sensor fulfils IP67 ingress protection. The design of the accessory cables fulfils IP67 ingress protection. The ingress protection IP67 is only guaranteed in the plugged-in state.

During storage the protective cap must always be on the electrical connection to avoid the ingress of moisture and dirt.

Permissible conditions at the place of storage:

- Storage temperature: -30 ... +60 °C
- Humidity: 35 ... 85 % relative humidity (non-condensing)

Avoid exposure to the following factors:

- Mechanical vibration, mechanical shock (putting it down hard)
- Dust, dirt, and other objects may not be deposited in such a way that they form a force shunt with the measuring piston, since this will falsify the measurement.

5. Commissioning, operation

5.1 Mounting preparation

- Before mounting the hydraulic ring force transducer, the anchor hole must be drilled, the anchor positioned, concreted and allowed to harden. For this, a level installation face must be ensured for the hydraulic ring force transducer.

5.2 Mounting instructions



CAUTION!

Damage to the instrument through improper installation

- The sealed threaded connections of the hydraulic force transducer must not be loosened.
- When installing the hydraulic force transducer, pay attention to the installation position and thus to the direction of loading. The hydraulic force transducer must be mounted orthogonally to the anchor.
- The hydraulic ring force transducer should only be loaded in the intended position.
- In the event that, on mounting, the pressure measuring instrument (pressure gauge, digital pressure gauge or pressure sensor) lies against the installation face, an anchor plate must be mounted under the hydraulic ring force transducer.
- Torsional and transverse forces must be avoided. Transverse loads and lateral forces also include the corresponding components of the measurands that are introduced slanted.
- Torsional moments, eccentric loads and transverse loads or lateral forces cause measuring errors and may permanently damage the hydraulic ring force transducer.
- During installation of the hydraulic ring force transducer, the output signal or the display instrument (force value) must always be monitored to avoid mechanical overload.
- When subjected to loads in other devices, a change in the zero signal may result in permanent damage (leakage with jamming of the measuring piston).
- An overload must be excluded at all times.
- Do not use the hydraulic ring force transducer as a climbing aid.

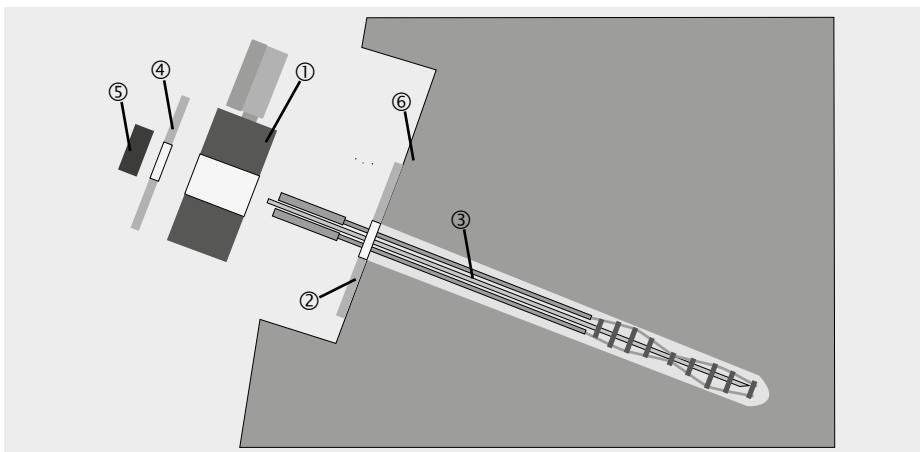
5.3 Mounting of the hydraulic ring force transducer

- ① **Hydraulic ring force transducer** with mounted pressure measuring instrument (pressure gauge, pressure sensor)

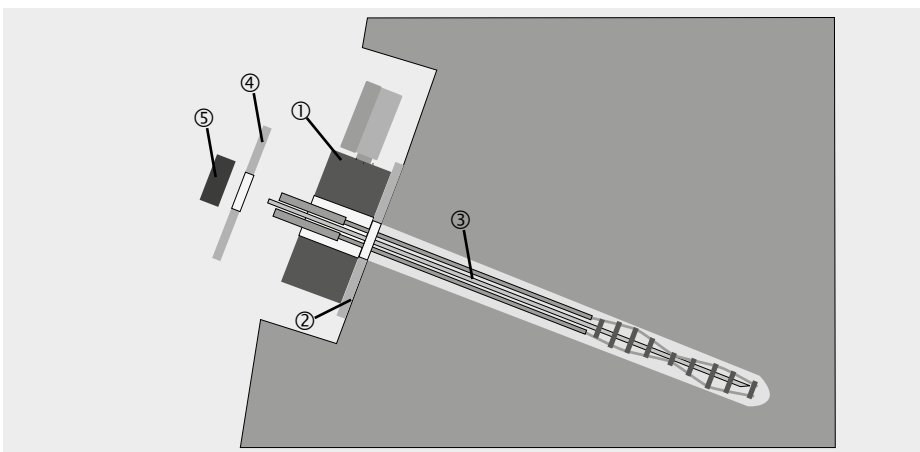
not included in delivery:

- ② Anchor plate 1
- ③ Anchor
- ④ Anchor plate 2
- ⑤ Clamping nut
- ⑥ Concrete pad

EN



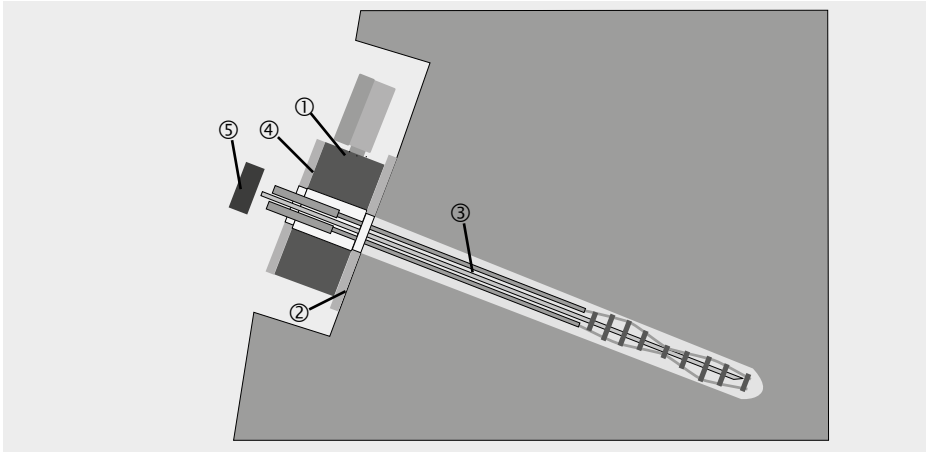
Positioning of anchor plate 1 ② on the anchor ③. This must lie against the concrete pad ⑥.



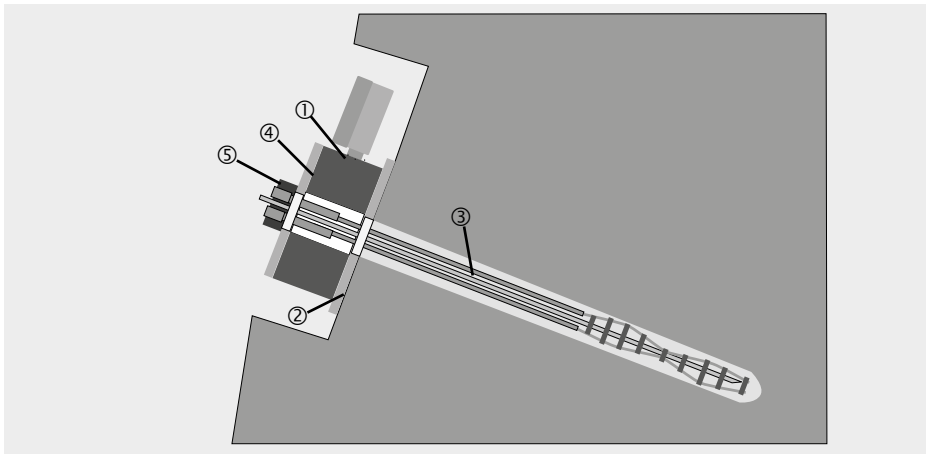
Fit the hydraulic ring force transducer ① onto the anchor ③ via anchor plate 1 ②.

5. Commissioning, operation

EN



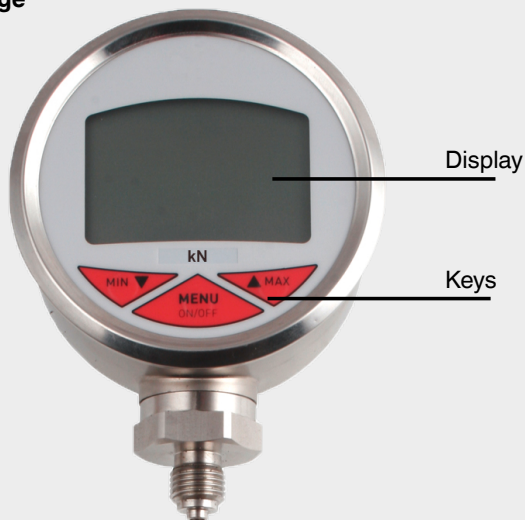
Positioning anchor plate 2 ④ on the hydraulic ring force transducer (piston side) ① on the anchor ③.



Preloading the anchor using a hydraulic press. Screwing in the clamping nut ⑤. If necessary, fix using another method.

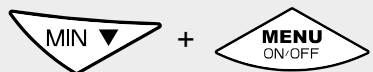
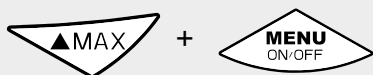
5.4 Commissioning of the hydraulic ring force transducer with digital pressure gauge

Digital pressure gauge



EN

Keys



Function / action

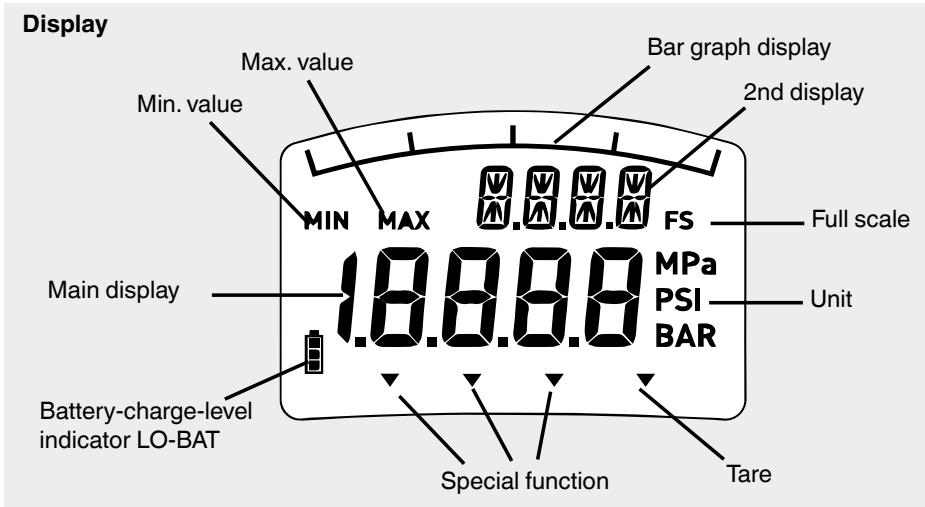
- Switches the instrument on
- Switches the instrument off

- Display indicates the max. value while the key is pressed

- Display indicates the min. value while the key is pressed

- Resets the max. value to " 0 "

- Resets the min. value to " 0 "



Min./max. memory


The min./max. memory is reset to the current measured value with each measuring cycle.

- The display of the min. value is achieved by pressing the Min key.
- The display of the max. value is achieved by pressing the Max key.
- The resetting of the current measured value is achieved by holding down the respective key (Min or Max) and additionally briefly pressing the Menu key.

Bar graph with drag-pointer function

The additional integrated bar graph with drag-pointer function within the display indicates the trend of the current operating pressure directly, independently from the digital indicator. Using the drag-pointer function, the max. memory value is also displayed in the bar graph display in the form of a bar segment, as well as in the digital display. On resetting the min./max. value, this bar graph is then updated to the current measured value.

Voltage supply

The digital pressure gauge is operated with 2 AA-Mignon batteries. The status of the batteries is shown in the display . With a low battery charge level, a blinking battery symbol is shown on the indicator display - the batteries should then be changed as soon as possible.

- Open the battery cover of the digital pressure gauge on the rear of the instrument.
- Replace the batteries with 2 new mignon cells.
- Close the battery cover again.



For further information and advice see the appropriate operating instructions DG-10.

5. Commissioning, operation

5.5 Electrical connection - Hydraulic ring force transducer with pressure sensor

To prevent interferences from coupling into the system, observe the following information:

- Use only shielded and low-capacitance measuring cables (for cables, see chapter 10 “Accessories”).
- Ground the cable shield.
- In the cables of the accessories, the cable shield is connected by means of the knurled nut, thus connecting it to the case of the pressure sensor.
- Do not install measuring cables in parallel to 3-phase-current cables and control cables.
- Avoid stray fields of transformers, motors and contactors.
- Force transducers, amplifiers and processing or display units must not be grounded several times. Connect all instruments to the same protective conductor.

The pin assignment of the connector or of the cable can be found on the product label.

For an extension, only shielded and low-capacitance cables should be used. The permitted maximum and minimum lengths of cable are defined in ISO 11898-2. Care should also be taken with the shielding to ensure a high-quality connection.



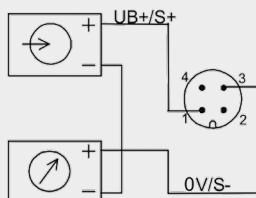
For further information and advice see the appropriate operating instructions of the mounted pressure sensor.

5.5.1 Pin assignment of the analogue output - Hydraulic ring force transducer with mounted pressure sensor

Circular connector M12 x 1, 4-pin

	Pin
UB+	1
0V/UB-	3
S+	1
S-	3
Shield ⊕	Case

Output 4 ... 20 mA, 2-wire
Circular connector M12 x 1, 4-pin



6. Faults

EN



CAUTION!

Physical injuries, damage to property

If faults cannot be eliminated by means of the listed measures, the hydraulic ring force transducer must be taken out of operation immediately.

- ▶ Contact the manufacturer.
- ▶ If a return is needed, please follow the instructions given in chapter 9.2 “Return”.



For contact details see chapter 1 “General information” or the back page of the operating instructions.

6.1 Faults of the hydraulic ring force transducer with pressure gauge/digital pressure gauge

Faults	Causes	Measures
No display	Leaking from the hydraulic ring force transducer	Visual check whether the fill fluid has leaked (glycerine-water mixture) Consult the manufacturer
Deviation of the zero point display	Overload, load offset, defective force introduction	Consult the manufacturer
Output signal constant when changing force	Mechanical overload, defective force introduction	Consult the manufacturer
Signal span varies	Electromagnetic interference sources in the environment; e.g. frequency converter	Shield instrument; cable shield; remove source of interference
Signal span drops/too small	Mechanical overload, leaking of the hydraulic ring force transducer	Consult the manufacturer
Pointer jerks with force increase	Stick-slip effect (internal pressure too low)	Consult the manufacturer

6.2 Faults of the hydraulic ring force transducer with pressure sensor

Faults	Causes	Measures
No output signal or wrong output signal	No or wrong supply voltage, current pulse	Rectify the supply voltage
	Cable break	Check the continuity
	Wrong pin assignment	Check pin assignment
Deviating zero-point signal	Overload, load offset, wrong connection	Consult the manufacturer
Constant output signal when changing force	Mechanical overload, wrong pin assignment, defective force introduction	Consult the manufacturer
	Leaking from the hydraulic ring force transducer	Visual check whether the fill fluid has leaked (glycerine-water mixture)
Signal span varies	Electromagnetic interference sources in the environment; e.g. frequency converter	Shield instrument; cable shield; remove source of interference
Signal span drops/too small	Mechanical overload, leaking of the hydraulic ring force transducer	Consult the manufacturer

7. Maintenance and cleaning

EN



For contact details see chapter 1 “General information” or the back page of the operating instructions.

7.1 Maintenance

This instrument is maintenance-free.

Repairs must only be carried out by the manufacturer.
Only use original parts (see chapter 10 “Accessories”).

7.2 Cleaning

7.2.1 Hydraulic ring force transducer with pressure gauge/digital pressure gauge

1. Clean the hydraulic ring force transducer with a cloth.

7.2.2 Hydraulic ring force transducer with pressure sensor

1. Prior to cleaning, disconnect the hydraulic ring force transducer from the voltage supply and dismount it.
2. Clean the hydraulic ring force transducer with a cloth.
Electrical connections must not come into contact with moisture!



CAUTION!

Damage to the instrument

Improper cleaning may lead to damage to the instrument!

- ▶ Do not use any aggressive cleaning agents.
- ▶ Do not use any hard or pointed objects for cleaning.

7.3 Recalibration

DKD/DAkkS certificate - official certificates:

We recommend that the hydraulic ring force transducer be regularly recalibrated by the manufacturer, with time intervals of approx. 24 months. The basic settings will be corrected if necessary.

8. Dismounting, return and disposal

8.1 Dismounting



DANGER!

Danger to life caused by electric current

Upon contact with live parts, there is a direct danger to life.

- ▶ The dismounting of the instrument may only be carried out by skilled personnel.

8.1.1 Hydraulic ring force transducer with pressure gauge/digital pressure gauge

Remove the hydraulic ring force transducer from the mounting location.

8.1.2 Hydraulic ring force transducer with pressure sensor

Remove any loading from the hydraulic ring force transducer, disconnect it from current and remove it from the mounting location.

8.2 Return

Strictly observe the following when shipping the instrument:

All instruments delivered to WIKA must be free from any kind of hazardous substances (acids, bases, solutions, etc.) and must therefore be cleaned before being returned.

When returning the instrument, use the original packaging or a suitable transport packaging.

To avoid damage:

1. Wrap the instrument in an antistatic plastic film.
2. Place the instrument, along with shock-absorbent material, in the packaging.
Place shock-absorbent material evenly on all sides of the transport packaging.
3. If possible, place a bag containing a desiccant inside the packaging.
4. Label the shipment as carriage of a highly sensitive measuring instrument.



Information on returns can be found under the heading “Service” on our local website.

8.3 Disposal

Incorrect disposal can put the environment at risk.

Dispose of instrument components and packaging materials in an environmentally compatible way and in accordance with the country-specific waste disposal regulations.



Do not dispose of with household waste. Ensure a proper disposal in accordance with national regulations.

9. Specifications

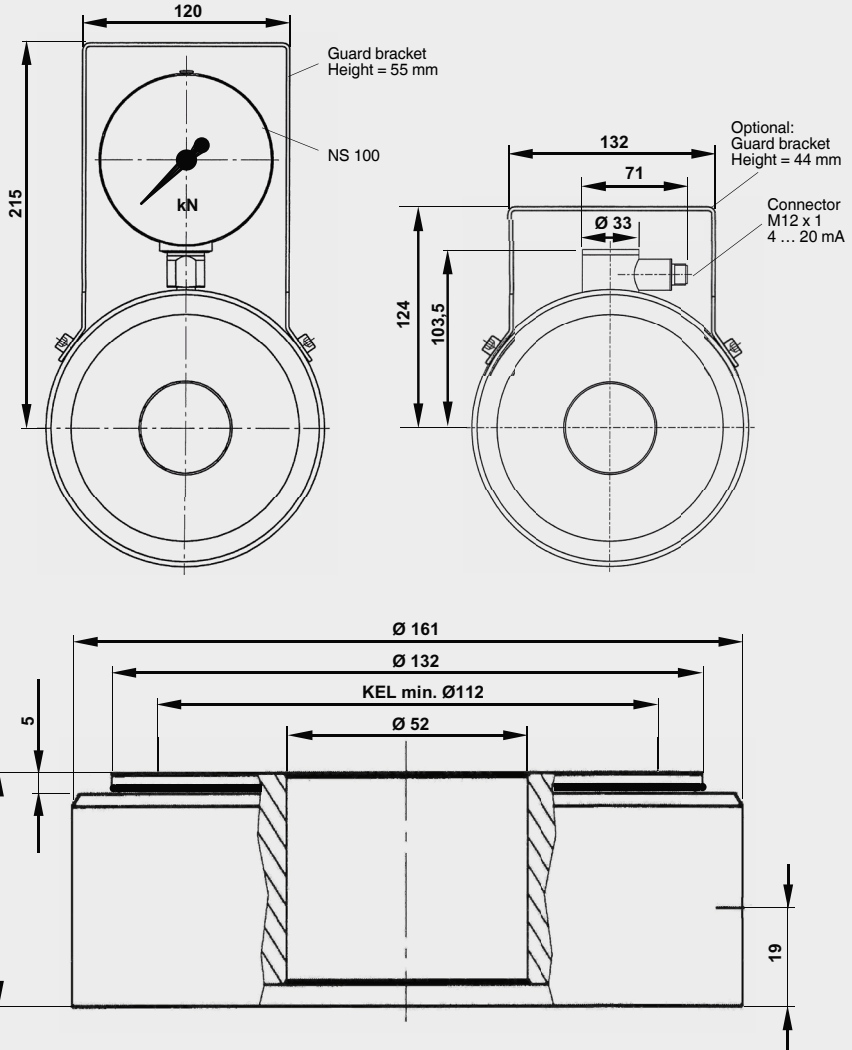
Model F6137

Rated force F_{nom}	0 ... 80 kN to 0 ... 700 kN
Nominal size	NS 82
Pressure measuring instrument (mounted)	<ul style="list-style-type: none"> ■ Pressure gauge 23x.50.100 ■ Digital pressure gauge DG-10 ■ Pressure sensor (on request)
Relative linearity error d_{lin}	
Pressure gauge	$\leq \pm 1.0 \% F_{nom}$
Pressure sensor/digital pressure gauge	$\leq \pm 0.5 \% F_{nom}$
Temperature effect on	
the characteristic value TK_C	$1 \% F_{nom} / 10 \text{ K}$
the zero signal TK_0	$1 \% F_{nom} / 10 \text{ K}$
Limit force F_L	$100 \% F_{nom}$
Breaking force F_B	$> 130 \% F_{nom}$
Rated displacement s_{nom}	$< 0.5 \text{ mm}$
Rated temperature range $B_{T, nom}$	$-30 \dots +60 \text{ }^\circ\text{C}$
Ingress protection per IEC/EN 60529	
Pressure gauge	IP65
Pressure sensor/digital pressure gauge	IP67
Case	<ul style="list-style-type: none"> ■ Steel, galvanised ■ Stainless steel
Piston	<ul style="list-style-type: none"> ■ Steel, galvanised ■ Stainless steel
Guard bracket	
Pressure gauge	yes
Pressure sensor/digital pressure gauge	optional
Mounting type	
Pressure gauge	direct
Pressure sensor/digital pressure gauge	direct
Option	Capillary, measuring hose for "separation without any losses"
Electrical output	
Output signal	$4 \dots 20 \text{ mA}$, 2-wire
Supply voltage	DC $0 \dots 30 \text{ V}$ for current output
Load	$\leq (UB - 6 \text{ V}) / 0.024 \text{ A}$
Electrical connection	Circular connector M12 x 1, 4-pin
Option	Hand-held measuring instrument ViSens E3908
Fill fluid (measuring piston)	Glycerine 70 %, water 30 %
Force introduction	as full-faced as possible, min. 75 % of the piston diameter
Weight in kg	8

Dimensions in mm

Version with pressure gauge 23x.50.100

Version with pressure sensor



The sealed threaded connections of the hydraulic ring force transducer must not be loosened!

9. Specifications

EN

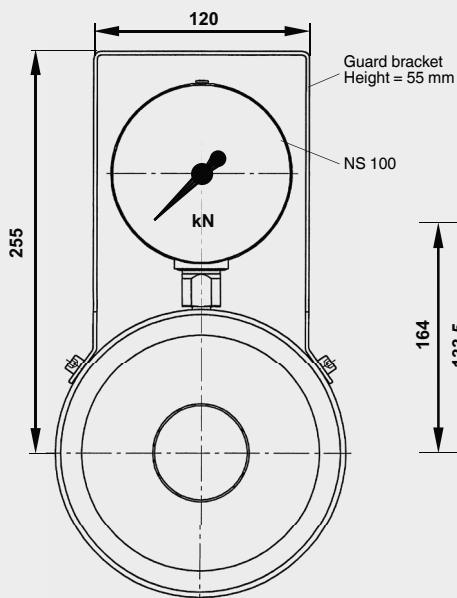
Model F6148	
Rated force F_{nom}	0 ... 150 kN to 0 ... 1,500 kN
Nominal size	NS 146
Pressure measuring instrument (mounted)	<ul style="list-style-type: none"> ■ Pressure gauge 23x.50.100 ■ Digital pressure gauge DG-10 ■ Pressure sensor (on request)
Relative linearity error d_{lin}	
Pressure gauge	$\leq \pm 1.0 \% F_{nom}$
Pressure sensor/digital pressure gauge	$\leq \pm 0.5 \% F_{nom}$
Temperature effect on	
the characteristic value TK_C	$1 \% F_{nom} / 10 K$
the zero signal TK_0	$1 \% F_{nom} / 10 K$
Limit force F_L	$100 \% F_{nom}$
Breaking force F_B	$> 130 \% F_{nom}$
Rated displacement s_{nom}	$< 0.5 \text{ mm}$
Rated temperature range $B_{T, nom}$	$-30 \dots +60 \text{ }^\circ\text{C}$
Ingress protection per IEC/EN 60529	
Pressure gauge	IP65
Pressure sensor/digital pressure gauge	IP67
Case	<ul style="list-style-type: none"> ■ Steel, galvanised ■ Stainless steel
Piston	<ul style="list-style-type: none"> ■ Steel, galvanised ■ Stainless steel
Guard bracket	
Pressure gauge	yes
Pressure sensor/digital pressure gauge	optional
Mounting type	
Pressure gauge	direct
Pressure sensor/digital pressure gauge	direct
Option	Capillary, measuring hose for "separation without any losses"
Electrical output	
Output signal	$4 \dots 20 \text{ mA}$, 2-wire
Supply voltage	DC $0 \dots 30 \text{ V}$ for current output
Load	$\leq (UB - 6 \text{ V}) / 0.024 \text{ A}$
Electrical connection	Circular connector M12 x 1, 4-pin
Option	Hand-held measuring instrument ViSens E3908
Fill fluid (measuring piston)	Glycerine 70 %, water 30 %
Force introduction	as full-faced as possible, min. 75 % of the piston diameter
Weight in kg	13.5

ADPR1X914115.01 10/2020 EN/DE

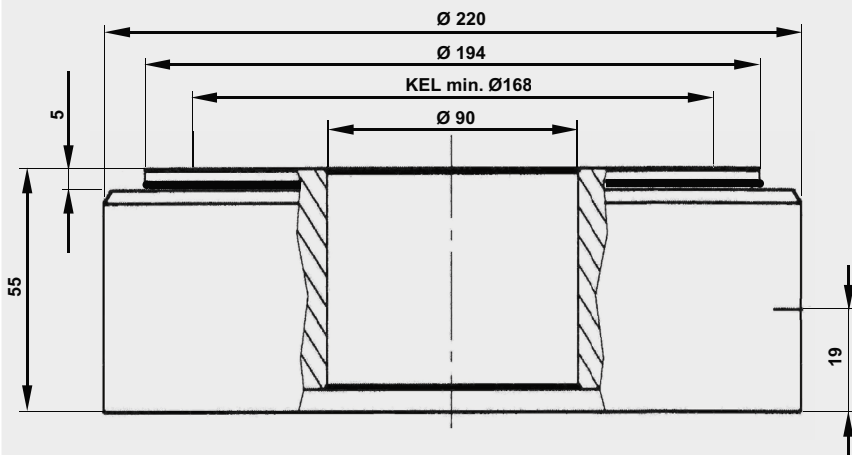
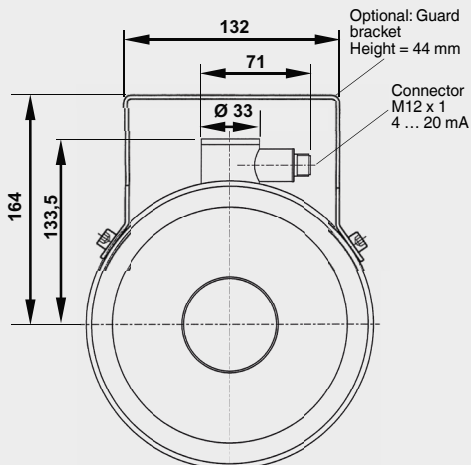
Dimensions in mm

EN

Version with pressure gauge 23x.50.100



Version with pressure sensor



The sealed threaded connections of the hydraulic ring force transducer must not be loosened!

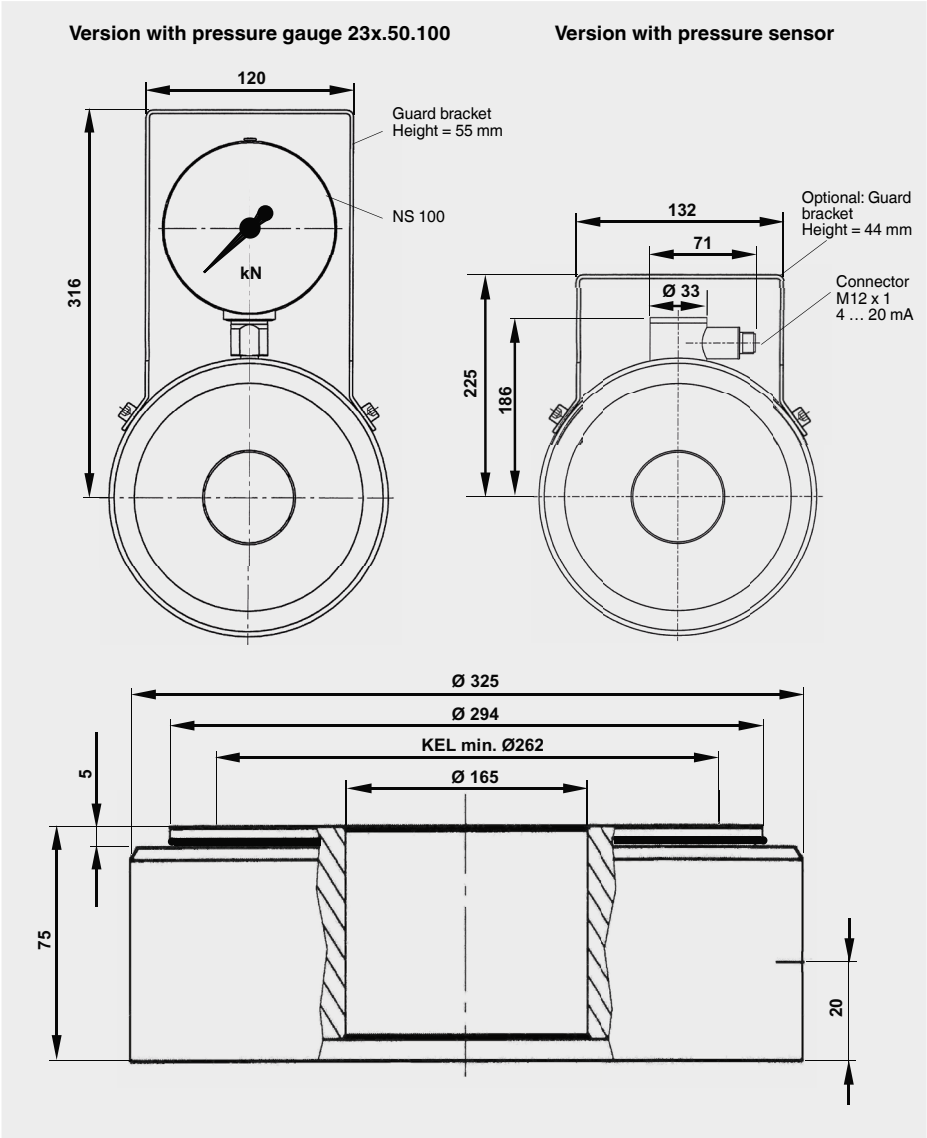
9. Specifications

EN

Model F6160	
Rated force F_{nom}	0 ... 400 kN to 0 ... 3,200 kN
Nominal size	NS 383
Pressure measuring instrument (mounted)	<ul style="list-style-type: none"> ■ Pressure gauge 23x.50.100 ■ Digital pressure gauge DG-10 ■ Pressure sensor (on request)
Relative linearity error d_{lin}	
Pressure gauge	$\leq \pm 1.0 \% F_{nom}$
Pressure sensor/digital pressure gauge	$\leq \pm 0.5 \% F_{nom}$
Temperature effect on	
the characteristic value TK_C	$1 \% F_{nom} / 10 K$
the zero signal TK_0	$1 \% F_{nom} / 10 K$
Limit force F_L	$100 \% F_{nom}$
Breaking force F_B	$> 130 \% F_{nom}$
Rated displacement s_{nom}	$< 0.5 mm$
Rated temperature range $B_{T, nom}$	$-30 \dots +60 \text{ }^\circ C$
Ingress protection per IEC/EN 60529	
Pressure gauge	IP65
Pressure sensor/digital pressure gauge	IP67
Case	<ul style="list-style-type: none"> ■ Steel, galvanised ■ Stainless steel
Piston	<ul style="list-style-type: none"> ■ Steel, galvanised ■ Stainless steel
Guard bracket	
Pressure gauge	yes
Pressure sensor/digital pressure gauge	optional
Mounting type	
Pressure gauge	direct
Pressure sensor/digital pressure gauge	direct
Option	Capillary, measuring hose for "separation without any losses"
Electrical output	
Output signal	$4 \dots 20 mA$, 2-wire
Supply voltage	DC $0 \dots 30 V$ for current output
Load	$\leq (UB - 6 V) / 0.024 A$
Electrical connection	Circular connector M12 x 1, 4-pin
Option	Hand-held measuring instrument ViSens E3908
Fill fluid (measuring piston)	Glycerine 70 %, water 30 %
Force introduction	as full-faced as possible, min. 75 % of the piston diameter
Weight in kg	36

ADPR1X914115.01 10/2020 EN/DE

Dimensions in mm



EN

ADPR1X914115.01 10/2020 EN/DE



The sealed threaded connections of the hydraulic ring force transducer must not be loosened!

9. Specifications

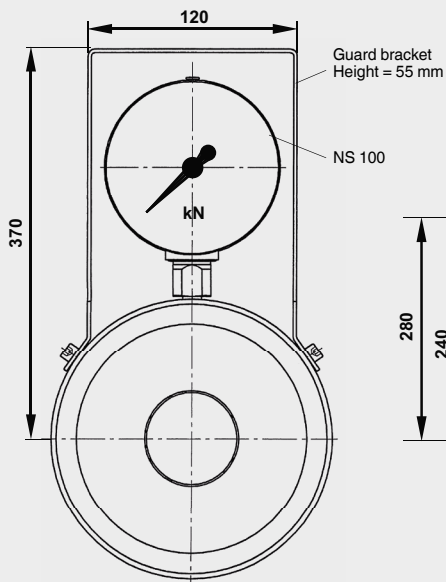
EN

Model F6171	
Rated force F_{nom}	0 ... 800 kN to 0 ... 6,000 kN
Nominal size	NS 827
Pressure measuring instrument (mounted)	<ul style="list-style-type: none"> ■ Pressure gauge 23x.50.100 ■ Digital pressure gauge DG-10 ■ Pressure sensor (on request)
Relative linearity error d_{lin}	
Pressure gauge	$\leq \pm 1.0 \% F_{nom}$
Pressure sensor/digital pressure gauge	$\leq \pm 0.5 \% F_{nom}$
Temperature effect on	
the characteristic value TK_C	$1 \% F_{nom} / 10 K$
the zero signal TK_0	$1 \% F_{nom} / 10 K$
Limit force F_L	$100 \% F_{nom}$
Breaking force F_B	$> 130 \% F_{nom}$
Rated displacement s_{nom}	$< 0.5 \text{ mm}$
Rated temperature range $B_{T, nom}$	$-30 \dots +60 \text{ }^\circ\text{C}$
Ingress protection per IEC/EN 60529	
Pressure gauge	IP65
Pressure sensor/digital pressure gauge	IP67
Case	<ul style="list-style-type: none"> ■ Steel, galvanised ■ Stainless steel
Piston	<ul style="list-style-type: none"> ■ Steel, galvanised ■ Stainless steel
Guard bracket	
Pressure gauge	yes
Pressure sensor/digital pressure gauge	optional
Mounting type	
Pressure gauge	direct
Pressure sensor/digital pressure gauge	direct
Option	Capillary, measuring hose for "separation without any losses"
Electrical output	
Output signal	$4 \dots 20 \text{ mA}$, 2-wire
Supply voltage	DC $0 \dots 30 \text{ V}$ for current output
Load	$\leq (U_B - 6 \text{ V}) / 0.024 \text{ A}$
Electrical connection	Circular connector M12 x 1, 4-pin
Option	Hand-held measuring instrument ViSens E3908
Fill fluid (measuring piston)	Glycerine 70 %, water 30 %
Force introduction	as full-faced as possible, min. 75 % of the piston diameter
Weight in kg	122

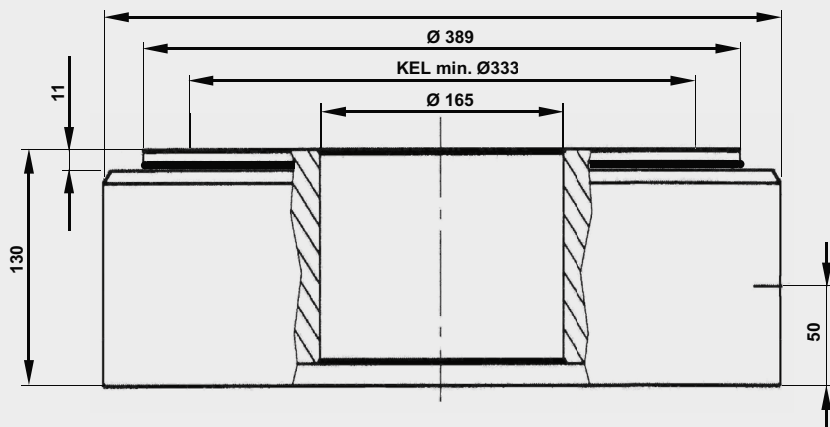
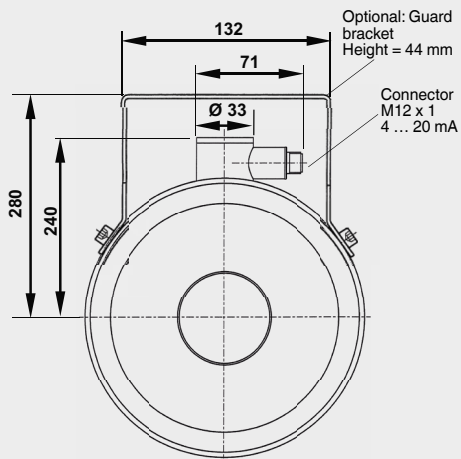
ADPR1X914115.01 10/2020 EN/DE

Dimensions in mm

Version with pressure gauge 23x.50.100



Version with pressure sensor



The sealed threaded connections of the hydraulic ring force transducer must not be loosened!

9. Specifications / 10. Accessories

9.1 Approvals

Logo	Description	Country
	EU declaration of conformity <ul style="list-style-type: none">■ EMC directive■ RoHS directive	European Union
	EAC <ul style="list-style-type: none">■ EMC directive	Eurasian Economic Community

10. Accessories

WIKA accessories can be found online at www.wika.com.

10.1 Cables

Cable with M12 x 1 connector		Order number		
		L = 2 m	L = 5 m	L = 10 m
4-pin with cable	straight	EZE53X011010	EZE53X011012	EZE53X011016
	angled	EZE53X011011	EZE53X011013	EZE53X011017
5-pin with cable	straight	EZE53X011043	EZE53X011044	EZE53X011047
	angled	EZE53X011045	EZE53X011046	EZE53X011071



A division of the WIKAL Group

EN

EU-Konformitätserklärung EU Declaration of Conformity

Dokument Nr.: ADEUKX400003.01
Document No.:

Wir erklären in alleiniger Verantwortung, dass die mit CE gekennzeichneten Produkte
We declare under our sole responsibility that the CE marked products

Typenbezeichnung: F6137*, F6148*, F6160*, F6171*
Type Designation:

Beschreibung: Hydraulischer Ringkraftaufnehmer
Description: Hydraulic ring force transducer

gemäß gültigem Datenblatt:
according to the valid data sheet: FO 52.20, FO 52.21, FO 52.22, FO 52.23

die wesentlichen Schutzanforderungen der folgenden Richtlinien erfüllen: Harmonisierte Normen:
comply with the essential protection requirements of the directives: Harmonized standards:

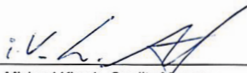
2011/65/EU	Gefährliche Stoffe (RoHS) <i>Hazardous substances (RoHS)</i>	EN 50581:2012
2014/30/EU	Elektromagnetische Verträglichkeit (EMV) ⁽¹⁾ <i>Electromagnetic Compatibility (EMC) ⁽¹⁾</i>	EN 61326-1:2013 EN 61326-2-3:2013 EN 55011:2016 + A1:2017 (05-2018)
2014/68/EU	Druckgeräterichtlinie (DGRL) ⁽²⁾ <i>Pressure Equipment Directive (PED) ⁽²⁾</i>	

- (1) Für optional eingebaute Transmitter oder Anzeigen gelten deren EU-Konformitätserklärungen und die darin gelisteten Normen.
For optional built-in transmitters and indicators their respective EU declarations of conformity and the therein listed standards apply.
- (2) PS > 200 bar; Modul A, druckhaltendes Ausrüstungsteil
PS > 200 bar; Module A, pressure accessory

Unterschiedet für und im Namen von / Signed for and on behalf of

tecsis GmbH
Offenbach, 2020-08-27


Stefan Richter, Managing Director


Michael Kirsch, Quality Manager

tecsis GmbH
Carl-Legien-Str. 40 - 44
63073 Offenbach am Main
Germany

Tel. +49 69 5806-0
Fax +49 69 5806-7788
E-Mail info@tecsis.de
www.tecsis.de

Sitz Offenbach - Offenbach am Main
Registernummer: HR B 40169
Geschäftsführer: Stefan Richter u. Thomas Steinbacher

Inhalt

1. Allgemeines	34
2. Aufbau und Funktion	35
2.1 Überblick	35
2.2 Beschreibung	36
2.3 Lieferumfang	36
3. Sicherheit	36
3.1 Symbolerklärung	36
3.2 Bestimmungsgemäße Verwendung	37
3.3 Fehlgebrauch	38
3.4 Verantwortung des Betreibers.	38
3.5 Personalqualifikation	39
3.6 Persönliche Schutzausrüstung	39
3.7 Beschilderung, Sicherheitskennzeichnungen	40
4. Transport, Verpackung und Lagerung	41
4.1 Transport.	41
4.2 Verpackung und Lagerung.	41
5. Inbetriebnahme, Betrieb	42
5.1 Montagevorbereitung	42
5.2 Montagehinweise	42
5.3 Montage des hydraulischen Ringkraftaufnehmers	43
5.4 Inbetriebnahme des hydraulischen Ringkraftaufnehmers mit Digitalmanometer	45
5.5 Elektrischer Anschluss - Hydraulischer Ringkraftaufnehmer mit Drucksensor	47
6. Störungen	48
6.1 Störungen des hydraulischen Ringkraftaufnehmers mit Manometer/ Digitalmanometer	48
6.2 Störungen des hydraulischen Ringkraftaufnehmers mit Drucksensor	49
7. Wartung und Reinigung	50
7.1 Wartung	50
7.2 Reinigung	50
7.3 Rekalibrierung	50
8. Demontage, Rücksendung und Entsorgung	51
8.1 Demontage	51
8.2 Rücksendung	51
8.3 Entsorgung	51
9. Technische Daten	52
9.1 Zulassungen	60
10. Zubehör	60
10.1 Kabel	60
Anlage: EU-Konformitätserklärung	61

DE

1. Allgemeines

- Die in der Betriebsanleitung beschriebenen hydraulische Ringkraftaufnehmer werden nach dem aktuellen Stand der Technik konstruiert und gefertigt. Alle Komponenten unterliegen während der Fertigung strengen Qualitäts- und Umweltkriterien. Unsere Managementsysteme sind nach ISO 9001 zertifiziert.
- Diese Betriebsanleitung gibt wichtige Hinweise zum Umgang mit dem Gerät. Voraussetzung für sicheres Arbeiten ist die Einhaltung aller angegebenen Sicherheitshinweise und Handlungsanweisungen.
- Die für den Einsatzbereich des Gerätes geltenden örtlichen Unfallverhütungsvorschriften und allgemeinen Sicherheitsbestimmungen einhalten.
- Die Betriebsanleitung ist Produktbestandteil und muss in unmittelbarer Nähe des Gerätes für das Fachpersonal jederzeit zugänglich aufbewahrt werden. Betriebsanleitung an nachfolgende Benutzer oder Besitzer des Gerätes weitergeben.
- Das Fachpersonal muss die Betriebsanleitung vor Beginn aller Arbeiten sorgfältig durchgelesen und verstanden haben.
- Es gelten die allgemeinen Geschäftsbedingungen in den Verkaufsunterlagen.
- Technische Änderungen vorbehalten.
- Werkskalibrierungen / DKD / DAkkS-Kalibrierungen erfolgen nach internationalen Normen.

Weitere Informationen:

- Internet-Adresse: www.wika.de
- Zugehöriges Datenblatt: FO 52.20 - F6137
FO 52.21 - F6148
FO 52.22 - F6160
FO 52.23 - F6171

- Anwendungsberater: Tel.: +49 9372 132-0
Fax: +49 9372 132-406
info@wika.de

Abkürzungen, Definitionen

- 2-Leiter Die zwei Anschlussleitungen dienen zur Spannungsversorgung. Der Speisestrom ist das Messsignal.
- 3-Leiter Zwei Anschlussleitungen dienen zur Spannungsversorgung. Eine Anschlussleitung dient für das Messsignal.
- UB+ Positiver Versorgungsanschluss
- UB- Negativer Versorgungsanschluss
- S+ Positiver Messanschluss
- S- Negativer Messanschluss

2. Aufbau und Funktion

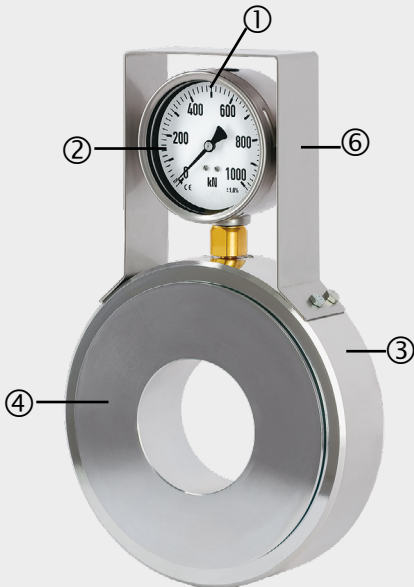
2.1 Überblick

Hydraulischer Ringkraftaufnehmer bestehend aus:

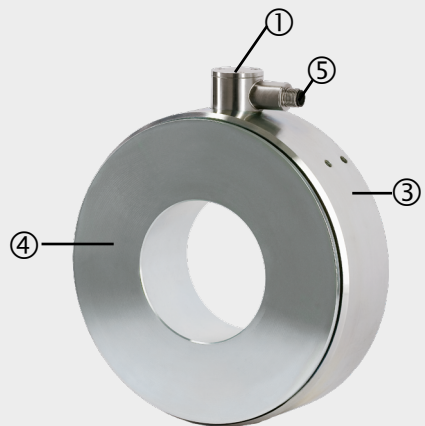
- ① Druckmessgerät (Manometer oder Drucksensor)
- ② Adapter
- ③ Messkolbengehäuse
- ④ Messkolben (Krafteinleitung)
- ⑤ Elektrischer Anschluss
- ⑥ Schutzbügel

DE

**Hydraulischer Ringkraftaufnehmer
mit angebautem Manometer**



**Hydraulischer Ringkraftaufnehmer
mit angebautem Drucksensor**



2.2 Beschreibung

Hydraulische Ringkraftaufnehmer sind für das Messen statischer und dynamischer Druckkräfte vorgesehen. Sie bestehen aus einem hydraulischen Kraftaufnehmer und einem angebauten Druckmessgerät (Manometer, Drucksensor).

DE

Der Messkörper ist aus galvanisch verzinktem Stahl gefertigt. Die auf den Messkolben wirkende Kraft wird entsprechend der Kolbenfläche als Druck über die druckübertragende Füllflüssigkeit im Messkolben auf das Druckmessgerät übertragen.

2.3 Lieferumfang

- Hydraulischer Ringkraftaufnehmer inkl. angebautem Druckmessgerät
- Betriebsanleitung

3. Sicherheit

3.1 Symbolerklärung



WARNUNG!

... weist auf eine möglicherweise gefährliche Situation hin, die zum Tod oder zu schweren Verletzungen führen kann, wenn sie nicht gemieden wird.



VORSICHT!

... weist auf eine möglicherweise gefährliche Situation hin, die zu geringfügigen oder leichten Verletzungen bzw. Sach- und Umweltschäden führen kann, wenn sie nicht gemieden wird.



Information

... hebt nützliche Tipps und Empfehlungen sowie Informationen für einen effizienten und störungsfreien Betrieb hervor.

3.2 Bestimmungsgemäße Verwendung

Die hydraulischen Ringkraftaufnehmer sind für statische und dynamische Druckkräfte im Bereich der Geotechnik zur Messung von Ankerkräften ausgelegt.

Typ	Nenngröße	Nennkraft
F6137	NG 82	0 ... 80 kN bis 0 ... 700 kN
F6148	NG 146	0 ... 150 kN bis 0 ... 1.500 kN
F6160	NG 383	0 ... 400 kN bis 0 ... 3.200 kN
F6171	NG 827	0 ... 800 kN bis 0 ... 6.000 kN

Gilt für den hydraulischen Ringkraftaufnehmer mit angebautem Drucksensor:

Das Gerät ist gemäß den Sicherheitsbestimmungen für elektronische Messgeräte gebaut und geprüft. Jeder darüber hinausgehende Gebrauch gilt als nicht bestimmungsgemäß. Die einwandfreie Funktion und Betriebssicherheit der Kraftaufnehmer kann nur bei Einhaltung der Angaben in der Betriebsanleitung garantiert werden. Bei der Verwendung sind zusätzlich die für den jeweiligen Anwendungsfall erforderlichen Rechts- und Sicherheitsvorschriften zu beachten (z. B. VDE 0100). Sinngemäß gilt dies auch bei Verwendung von Zubehör. Der einwandfreie und sichere Betrieb dieser Messeinheit setzt sachgemäßen Transport, fachgerechte Lagerung, Aufstellung und Montage sowie sorgfältige Bedienung und Instandhaltung voraus.

Das Gerät ist ausschließlich für den hier beschriebenen bestimmungsgemäßen Verwendungszweck konzipiert und konstruiert und darf nur dementsprechend verwendet werden.

Die technischen Spezifikationen in dieser Betriebsanleitung sind einzuhalten. Eine unsachgemäße Handhabung oder ein Betreiben des Gerätes außerhalb der technischen Spezifikationen macht die sofortige Stilllegung und Überprüfung durch einen autorisierten Servicemitarbeiter erforderlich.

Elektronische Präzisionsmessgeräte mit erforderlicher Sorgfalt behandeln (vor Nässe, Stößen, starken Magnetfeldern, statischer Elektrizität und extremen Temperaturen schützen, keine Gegenstände in das Gerät bzw. Öffnungen einführen). Stecker und Buchsen vor Verschmutzung schützen.

DE

Ansprüche jeglicher Art aufgrund von nicht bestimmungsgemäßer Verwendung sind ausgeschlossen.

3.3 Fehlgebrauch



WARNUNG!

Verletzungen durch Fehlgebrauch

Fehlgebrauch des Gerätes kann zu gefährlichen Situationen und Verletzungen führen.

- ▶ Eigenmächtige Umbauten am Gerät unterlassen.

Jede über die bestimmungsgemäße Verwendung hinausgehende oder andersartige Benutzung gilt als Fehlgebrauch.

3.4 Verantwortung des Betreibers

Das Gerät wird im gewerblichen Bereich eingesetzt. Der Betreiber unterliegt daher den gesetzlichen Pflichten zur Arbeitssicherheit.

Die Sicherheitshinweise dieser Betriebsanleitung, sowie die für den Einsatzbereich des Gerätes gültigen Sicherheits-, Unfallverhütungs- und Umweltschutzvorschriften einhalten.

Der Betreiber ist verpflichtet das Typenschild lesbar zu halten.

Für ein sicheres Arbeiten am Gerät muss der Betreiber das Folgende sicherstellen:

- dass eine entsprechende Erste-Hilfe-Ausrüstung vorhanden ist und bei Bedarf jederzeit Hilfe zur Stelle ist.
- dass das Elektrofachpersonal regelmäßig in allen zutreffenden Fragen von Arbeitssicherheit, Erste Hilfe und Umweltschutz unterwiesen wird, sowie die Betriebsanleitung und insbesondere die darin enthaltenen Sicherheitshinweise kennt.
- dass das Gerät gemäß der bestimmungsgemäßen Verwendung für den Anwendungsfall geeignet ist.
- dass die persönliche Schutzausrüstung verfügbar ist.

3.5 Personalqualifikation



WARNUNG!

Verletzungsgefahr bei unzureichender Qualifikation

Unsachgemäßer Umgang kann zu erheblichen Personen- und Sachschäden führen.

- ▶ Die in dieser Betriebsanleitung beschriebenen Tätigkeiten nur durch Fachpersonal nachfolgend beschriebener Qualifikation durchführen lassen.

DE

Elektrofachpersonal

Das Elektrofachpersonal ist aufgrund seiner fachlichen Ausbildung, Kenntnisse und Erfahrungen sowie Kenntnis der landesspezifischen Vorschriften, geltenden Normen und Richtlinien in der Lage, Arbeiten an elektrischen Anlagen auszuführen und mögliche Gefahren selbstständig zu erkennen und zu vermeiden. Das Elektrofachpersonal ist speziell für das Arbeitsumfeld, in dem es tätig ist, ausgebildet und kennt die relevanten Normen und Bestimmungen. Das Elektrofachpersonal muss die Bestimmungen der geltenden gesetzlichen Vorschriften zur Unfallverhütung erfüllen.

3.6 Persönliche Schutzausrüstung

Anforderungen an benötigte Schutzausrüstung ergeben sich aus den Umgebungsbedingungen am Ort der Nutzung, anderen Produkten oder der Verknüpfung mit anderen Produkten.

Die erforderliche persönliche Schutzausrüstung muss vom Betreiber zur Verfügung gestellt werden. Der Betreiber wird durch diese Vorschläge in keiner Weise von seinen arbeitsrechtlichen Pflichten zur Sicherheit und dem Schutz der Gesundheit der Arbeitnehmer entbunden.

Die Bemessung der persönlichen Schutzausrüstung muss unter Berücksichtigung aller Betriebsparameter des Einsatzortes erfolgen.

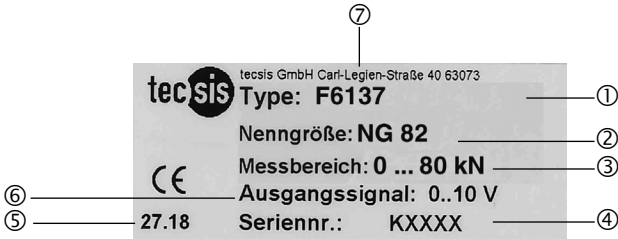
3.7 Beschilderung, Sicherheitskennzeichnungen

Typenschild

Typenschild für hydraulischen Ringkraftaufnehmer mit Manometer



Typenschild für hydraulischen Ringkraftaufnehmer mit Drucksensor



- ① Typ
- ② Nenngröße
- ③ Messbereich
- ④ Seriennummer, Tag-Nummer
- ⑤ Herstellungsdatum Kalenderwoche/Jahr
- ⑥ Ausgangssignal
- ⑦ Hersteller/Adresse



Hinweise auf dem Typenschild des Druckmessgerätes beachten.

4. Transport, Verpackung und Lagerung

4.1 Transport

Den hydraulischen Ringkraftaufnehmer auf eventuell vorhandene Transportschäden untersuchen. Offensichtliche Schäden unverzüglich mitteilen.



VORSICHT!

Beschädigungen durch unsachgemäßen Transport

Bei unsachgemäßem Transport können Sachschäden in erheblicher Höhe entstehen.

- ▶ Beim Abladen der Packstücke bei Anlieferung sowie innerbetrieblichem Transport vorsichtig vorgehen und die Symbole auf der Verpackung beachten.
- ▶ Bei innerbetrieblichem Transport die Hinweise unter Kapitel 4.2 „Verpackung und Lagerung“ beachten.

Als Präzisionsmessgeräte verlangen die hydraulischen Ringkraftaufnehmer beim Transport und der Montage eine sorgfältige Handhabung. Laststöße während des Transports (z. B. Aufschlag auf harten Untergrund) können zu irreversible Schäden führen, die im späteren Messbetrieb zu Messfehlern führen.

4.2 Verpackung und Lagerung

Verpackung erst unmittelbar vor der Montage entfernen.

Die Verpackung aufbewahren, denn diese bietet bei einem Transport einen optimalen Schutz (z. B. wechselnder Einbauort, Reparatursendung).

Der hydraulische Ringkraftaufnehmer ist aus beschichteten Stahl gefertigt.

- Die Ausführung mit Manometer erfüllt die Schutzart IP65.
- Die Ausführung mit Digitalmanometer erfüllt die Schutzart IP65.
- Die Ausführung mit Drucksensor erfüllt die Schutzart IP67. Die Ausführung der Zubehörkabel erfüllt die Schutzart IP67. Die Schutzart IP67 wird nur im gesteckten Zustand garantiert.

Bei der Lagerung muss sich die Schutzkappe immer auf dem elektrischen Anschluss befinden, um das Eindringen von Feuchtigkeit und Schmutz zu vermeiden.

Zulässige Bedingungen am Lagerort:

- Lagertemperatur: -30 ... +60 °C
- Feuchtigkeit: 35 ... 85 % relative Feuchte (keine Betauung)

Folgende Einflüsse vermeiden:

- Mechanische Vibration, mechanischer Schock (hartes Aufstellen)
- Staub, Schmutz und sonstige Gegenstände dürfen sich nicht so ablagern, dass sie einen Kraftnebenschluss zum Messkolben bilden, da dadurch die Messung verfälscht wird.

5. Inbetriebnahme, Betrieb

5.1 Montagevorbereitung

- Vor der Montage des hydraulischen Ringkraftaufnehmers das Ankerloch bohren, Anker positionieren, betonieren und aushärten lassen. Hierbei muss auf eine ebene Auflagefläche für den hydraulischen Ringkraftaufnehmer geachtet werden.

DE

5.2 Montagehinweise



VORSICHT!

Beschädigung des Gerätes durch unsachgemäße Montage

- Dichtende Verschraubungen des hydraulischen Kraftaufnehmers dürfen nicht gelöst werden.
- Beim Einbau des hydraulischen Kraftaufnehmers ist auf die Einbaulage und damit auf die Belastungsrichtung zu achten. Der hydraulische Kraftaufnehmer muss orthogonal zum Anker montiert werden.
- Der hydraulische Ringkraftaufnehmer darf nur in der vorgesehenen Lagerungsart belastet werden.
- Falls das Druckmessgerät (Manometer, Digitalmanometer oder Drucksensor) bei der Montage auf der Auflagefläche aufliegt, ist eine Ankerplatte unter dem hydraulischen Ringkraftaufnehmer zu montieren.
- Torsions- und Querkräfte sind zu vermeiden. Zu den Querbelastungen und Seitenkräften gehören auch die entsprechenden Komponenten der eventuell schräg eingeleiteten Messgrößen.
- Torsionsmomente, außermittige Belastungen und Querbelastungen bzw. Seitenkräfte verursachen Messfehler und können den hydraulischen Ringkraftaufnehmer bleibend schädigen.
- Während des Einbaus des hydraulischen Ringkraftaufnehmers ist das Ausgangssignal bzw. das Anzeigergerät (Kraftwert) stets zu überwachen, um eine mechanische Überlastung zu vermeiden.
- Bei Belastung in anderen Vorrichtungen kann eine Veränderung des Nullsignals eine dauerhafte Schädigung zur Folge haben (Undichtigkeit beim Verklemmen des Messkolbens).
- Eine Überlastung ist zu jeder Zeit auszuschließen.
- Den hydraulischen Ringkraftaufnehmer nicht als Steighilfe verwenden.

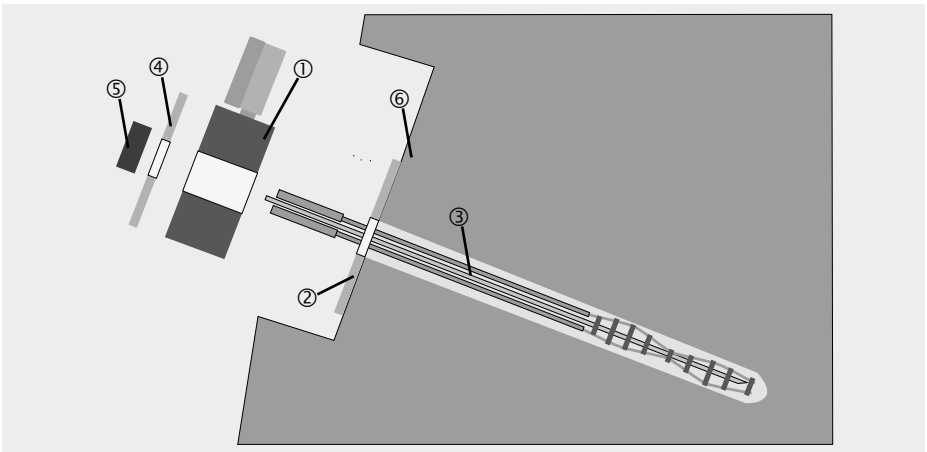
5.3 Montage des hydraulischen Ringkraftaufnehmers

- ① **Hydraulischer Ringkraftaufnehmer** mit angebautem Druckmessgerät
(Manometer, Drucksensor)

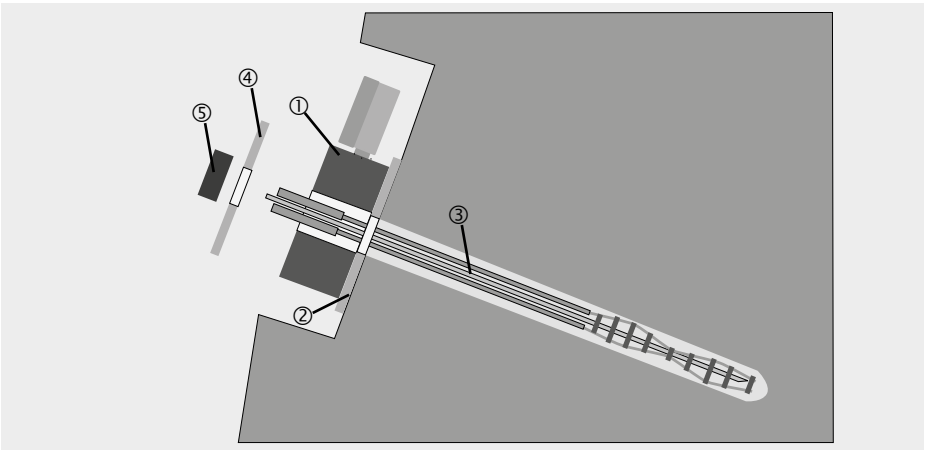
nicht im Lieferumfang enthalten:

- | | |
|-----------------|---------------|
| ② Ankerplatte 1 | ⑤ Spannmutter |
| ③ Anker | ⑥ Betonriegel |
| ④ Ankerplatte 2 | |

DE



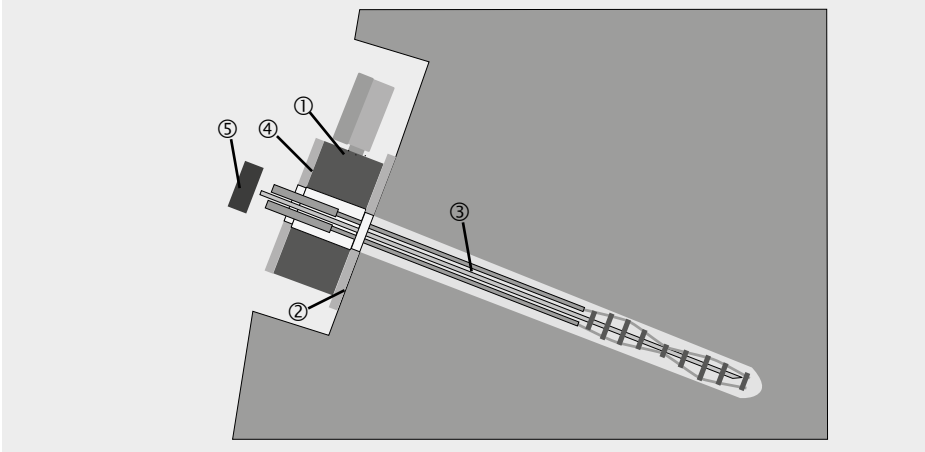
Positionierung der Ankerplatte 1 ② auf dem Anker ③. Diese muss auf dem Betonriegel ⑥ aufliegen.



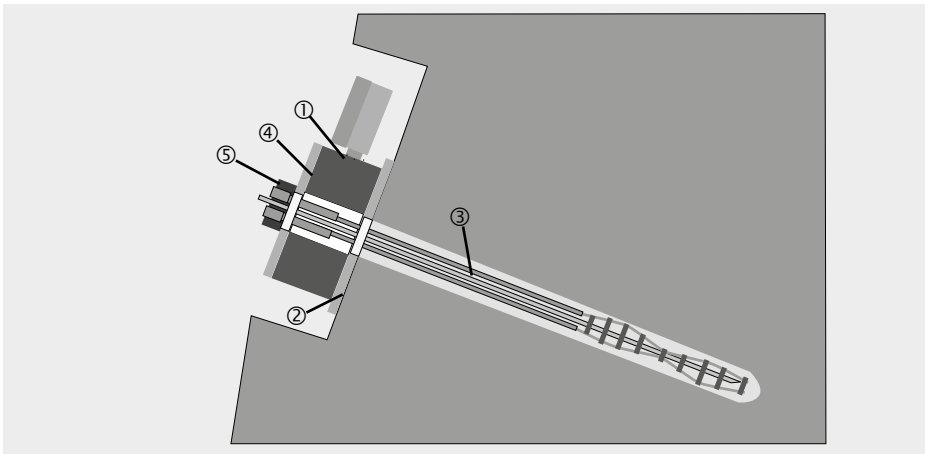
Aufstecken des hydraulischen Ringkraftaufnehmers ① auf den Anker ③ über der Ankerplatte 1 ②.

5. Inbetriebnahme, Betrieb

DE



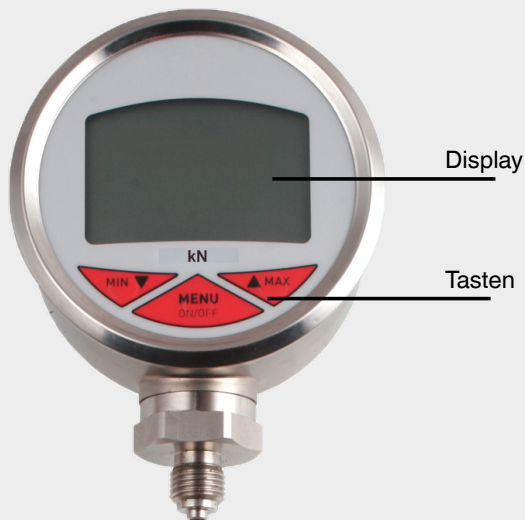
Positionierung der Ankerplatte 2 ④ auf dem hydraulischen Ringkraftaufnehmer (Kolben-
seite) ① auf dem Anker ③.



Vorspannung des Ankers mittels einer hydraulischen Presse. Verschraubung der
Spannmutter ⑤. Gegebenenfalls mit einer andere Methode befestigen.

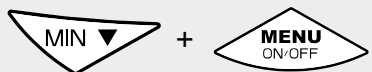
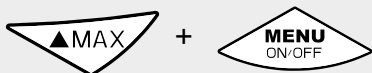
5.4 Inbetriebnahme des hydraulischen Ringkraftaufnehmers mit Digitalmanometer

Digitalmanometer



DE

Tasten



Funktion / Aktion

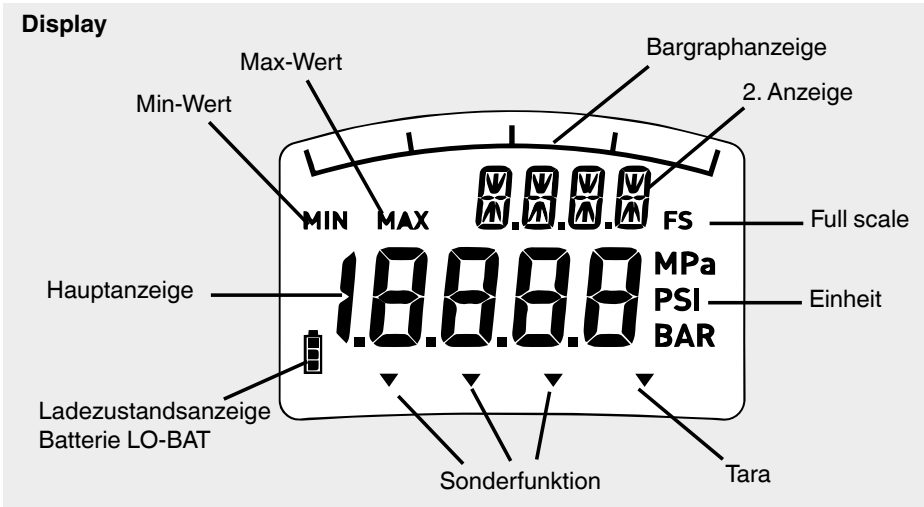
- Schaltet Gerät ein
- Schaltet Gerät aus

- Display zeigt Max-Wert an, solange die Taste gedrückt ist

- Display zeigt Min-Wert an, solange die Taste gedrückt ist

- Setzt Max-Wert auf " 0 " zurück

- Setzt Min-Wert auf " 0 " zurück



Min-/Max-Speicher


Der Min-/Max-Speicher wird in jedem Messzyklus mit dem aktuellen Messwert aktualisiert.

- Die Anzeige des Min-Wertes erfolgt durch Drücken der Min-Taste.
- Die Anzeige des Max-Wertes erfolgt durch Drücken der Max-Taste.
- Die Rücksetzung auf den aktuellen Messwert erfolgt durch Festhalten der jeweiligen Taste (Min oder Max) und kurzes zusätzliches Betätigen der Menu-Taste.

Bargraph mit Schleppeigerfunktion

Die zusätzlich in der Anzeige integrierte Bargraphanzeige mit Schleppeigerfunktion zeigt direkt die Tendenz des momentanen Arbeitsdruckes unabhängig von der Digitalanzeige an. Mit Hilfe der Schleppeigerfunktion wird der Max-Speicherwert zusätzlich zur Digitalanzeige auch in der Bargraphanzeige in Form eines Balkensegmentes angezeigt. Dieses Balkensegment wird bei Rücksetzung des Min / Max Wertes ebenfalls auf den aktuellen Messwert aktualisiert.

Spannungsversorgung

Das Digitalmanometer wird mit 2 Mignon Batterien AA betrieben. Der Zustand der Batterien wird im Display angezeigt . Bei einem niedrigen Ladezustand der Batterien erscheint ein blinkendes Batteriesymbol auf dem Anzeigedisplay, die Batterien sind dann sobald wie möglich auszutauschen.

- Den Batteriedeckel des Digitalmanometers auf der Geräterückseite öffnen.
- Die Batterien durch 2 neue Mignon-Zellen ersetzen.
- Den Batteriedeckel wieder schließen.



Weitere Hinweise, siehe auch Betriebsanleitung DG-10.

5.5 Elektrischer Anschluss - Hydraulischer Ringkraftaufnehmer mit Drucksensor

Um Einkopplungen von Störungen zu vermeiden folgende Hinweise beachten:

- Nur abgeschirmte, kapazitätsarme Messkabel verwenden (Kabel, siehe Kapitel 10 „Zubehör“).
- Kabelschirm erden.
- Bei den Zubehörkabeln ist der Kabelschirm mit der Rändelmutter und damit mit dem Gehäuse des Drucksensors verbunden.
- Messkabel nicht parallel zu Starkstrom- und Steuerleitungen legen.
- Streufelder von Transformatoren sowie Motoren und Schützen vermeiden.
- Kraftaufnehmer, Verstärker und Verarbeitungs- bzw. Anzeigeeinheit dürfen nicht mehrfach geerdet werden. Alle Geräte an denselben Schutzleiter anschließen. Die Anschlussbelegung des Steckers oder des Kabels ist dem Typenschild zu entnehmen.

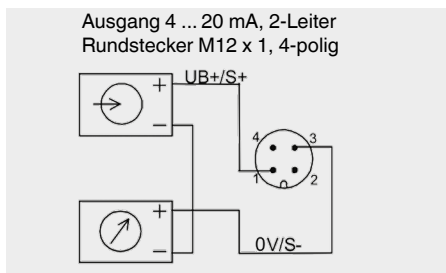
Für eine Verlängerung dürfen nur abgeschirmte und kapazitätsarme Kabel verwendet werden. Die erlaubten maximalen und minimalen Längen des Kabels sind in ISO 11898-2 angegeben. Dabei ist auf eine hochwertige Verbindung auch bei der Abschirmung zu achten.



Weitere Hinweise, siehe auch Betriebsanleitung des angebauten Drucksensors.

5.5.1 Anschlussbelegung Analogausgang - Hydraulischer Ringkraftaufnehmer mit angebautem Drucksensor

Rundstecker M12 x 1, 4-polig	
	Pin
UB+	1
0V/UB-	3
S+	1
S-	3
Schirm ⊕	Gehäuse



6. Störungen



VORSICHT!

Körperverletzungen, Sachschäden

Können Störungen mit Hilfe der aufgeführten Maßnahmen nicht beseitigt werden, den hydraulischen Ringkraftaufnehmer unverzüglich außer Betrieb setzen.

- ▶ Kontakt mit dem Hersteller aufnehmen.
- ▶ Bei notwendiger Rücksendung die Hinweise unter Kapitel 9.2 „Rücksendung“ beachten.



Kontaktdaten siehe Kapitel 1 „Allgemeines“ oder Rückseite der Betriebsanleitung.

DE

6.1 Störungen des hydraulischen Ringkraftaufnehmers mit Manometer/Digitalmanometer

Störungen	Ursachen	Maßnahmen
Keine Anzeige	Undichtigkeit des hydraulischen Ringkraftaufnehmers	Optische Kontrolle, ob Füllflüssigkeit ausgetreten ist (Glycerin-Wasser-Gemisch) Rücksprache mit Hersteller
Abweichende Nullpunkt-Anzeige	Überlast, Last-Offset, fehlerhafte Kraftereinleitung	Rücksprache mit Hersteller
Gleichbleiben der Anzeige bei Kraftänderung	Mechanische Überlastung, fehlerhafte Kraftereinleitung	Rücksprache mit Hersteller
Signalspanne schwankend	Elektromagnetische Störquellen in Umgebung, z. B. Frequenzumrichter	Gerät abschirmen; Leitungsabschirmung; Störquelle entfernen
Signalspanne fällt ab/zu klein	Mechanische Überlastung, Undichtigkeit des hydraulischen Ringkraftaufnehmers	Rücksprache mit Hersteller
Zeiger ruckelt bei Kraftanstieg	Stick-Slip-Effekt (interner Druck zu niedrig)	Rücksprache mit Hersteller

6.2 Störungen des hydraulischen Ringkraftaufnehmers mit Drucksensor

Störungen	Ursachen	Maßnahmen
Kein Ausgangssignal oder falsches Ausgangssignal	Keine oder falsche Hilfsenergie, Stromstoß	Hilfsenergie korrigieren
	Leitungsbruch	Durchgang überprüfen
	Falsche Pinbelegung	Pinbelegung prüfen
Abweichendes Nullpunkt-Signal	Überlast, Last-Offset, falscher Anschluss	Rücksprache mit Hersteller
Gleichbleiben des Ausgangssignals bei Kraftänderung	Mechanische Überlastung, falsche Pinbelegung, fehlerhafte Krafteinleitung	Rücksprache mit Hersteller
	Undichtigkeit des hydraulischen Ringkraftaufnehmers	Optische Kontrolle, ob Füllflüssigkeit ausgetreten ist (Glycerin-Wasser-Gemisch)
Signalspanne schwankend	Elektromagnetische Störquellen in Umgebung, z. B. Frequenzumrichter	Gerät abschirmen; Leitungsabschirmung; Störquelle entfernen
Signalspanne fällt ab/zu klein	Mechanische Überlastung, Undichtigkeit des hydraulischen Ringkraftaufnehmers	Rücksprache mit Hersteller

DE

7. Wartung und Reinigung



Kontaktinformationen siehe Kapitel 1 „Allgemeines“ oder Rückseite der Betriebsanleitung.

DE

7.1 Wartung

Dieses Gerät ist wartungsfrei.

Reparaturen sind ausschließlich vom Hersteller durchzuführen.
Nur Originalteile verwenden (siehe Kapitel 10 „Zubehör“).

7.2 Reinigung

7.2.1 Hydraulischer Ringkraftaufnehmer mit Manometer/Digitalmanometer

1. Den hydraulischen Ringkraftaufnehmer mit einem Tuch reinigen.

7.2.2 Hydraulischer Ringkraftaufnehmer mit Drucksensor

1. Vor der Reinigung den hydraulischen Ringkraftaufnehmer ordnungsgemäß von der Spannungsversorgung trennen und ausbauen.
2. Den hydraulischen Ringkraftaufnehmer mit einem Tuch reinigen.
Elektrische Anschlüsse nicht mit Feuchtigkeit in Berührung bringen!



VORSICHT!

Beschädigung des Gerätes

Eine unsachgemäße Reinigung führt zur Beschädigung des Gerätes!

- ▶ Keine aggressiven Reinigungsmittel verwenden.
- ▶ Keine harten und spitzen Gegenstände zur Reinigung verwenden.

7.3 Rekalibrierung

DKD/DAkkS-Schein - amtliche Bescheinigungen:

Es wird empfohlen, den hydraulischen Ringkraftaufnehmer in regelmäßigen Zeitabständen von ca. 24 Monaten durch den Hersteller rekalibrieren zu lassen. Die Grundeinstellungen werden wenn notwendig korrigiert.

8. Demontage, Rücksendung und Entsorgung

8.1 Demontage



GEFAHR!

Lebensgefahr durch elektrischen Strom

Bei Berührung mit spannungsführenden Teilen besteht unmittelbare Lebensgefahr.

- ▶ Die Demontage des Gerätes darf nur durch Fachpersonal erfolgen.

DE

8.1.1 Hydraulischer Ringkraftaufnehmer mit Manometer/Digitalmanometer

Den hydraulischen Ringkraftaufnehmer aus der Einbausituation entfernen.

8.1.2 Hydraulischer Ringkraftaufnehmer mit Drucksensor

Den hydraulischen Ringkraftaufnehmer entlasten, vom Strom trennen und aus der Einbausituation entfernen.

8.2 Rücksendung

Beim Versand des Gerätes unbedingt beachten:

Alle an WIKA gelieferten Geräte müssen frei von Gefahrstoffen (Säuren, Laugen, Lösungen, etc.) sein und sind daher vor der Rücksendung zu reinigen.

Zur Rücksendung des Gerätes die Originalverpackung oder eine geeignete Transportverpackung verwenden.

Um Schäden zu vermeiden:

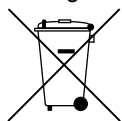
1. Das Gerät in eine antistatische Plastikfolie einhüllen.
2. Das Gerät mit dem Dämmmaterial in der Verpackung platzieren.
Zu allen Seiten der Transportverpackung gleichmäßig dämmen.
3. Wenn möglich einen Beutel mit Trocknungsmittel der Verpackung beifügen.
4. Sendung als Transport eines hochempfindlichen Messgerätes kennzeichnen.



Hinweise zur Rücksendung befinden sich in der Rubrik „Service“ auf unserer lokalen Internetseite.

8.3 Entsorgung

Durch falsche Entsorgung können Gefahren für die Umwelt entstehen. Gerätekomponten und Verpackungsmaterialien entsprechend den landesspezifischen Abfallbehandlungs- und Entsorgungsvorschriften umweltgerecht entsorgen.



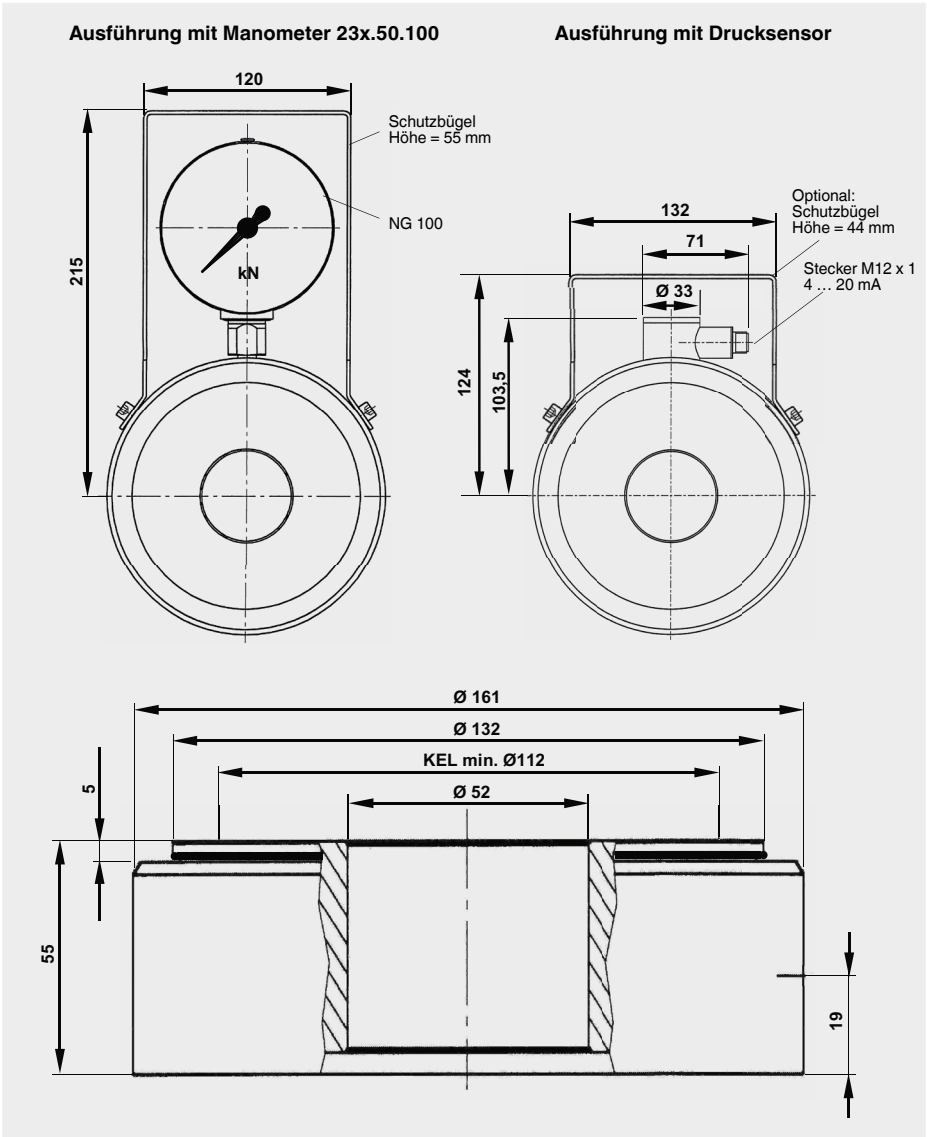
Nicht mit dem Hausmüll entsorgen. Für eine geordnete Entsorgung gemäß nationaler Vorgaben sorgen.

9. Technische Daten

Typ F6137	
Nennkraft F_{nom}	0 ... 80 kN bis 0 ... 700 kN
Nenngröße	NG 82
Druckmessgerät (angebaut)	<ul style="list-style-type: none"> ■ Manometer 23x.50.100 ■ Digitalmanometer DG-10 ■ Drucksensor (auf Anfrage)
Relative Linearitätsabweichung d_{lin}	
Manometer	$\leq \pm 1,0 \% F_{nom}$
Drucksensor/Digitalmanometer	$\leq \pm 0,5 \% F_{nom}$
Temperatureinfluss auf	
den Kennwert TK_c	$1 \% F_{nom}/10 K$
das Nullsignal TK_0	$1 \% F_{nom}/10 K$
Grenzkraft F_L	$100 \% F_{nom}$
Bruchkraft F_B	$> 130 \% F_{nom}$
Nennmessweg s_{nom}	$< 0,5 mm$
Nenntemperaturbereich $B_{T, nom}$	$-30 \dots +60 \text{ }^\circ\text{C}$
Schutzart nach IEC/EN 60529	
Manometer	IP65
Drucksensor/Digitalmanometer	IP67
Gehäuse	<ul style="list-style-type: none"> ■ Stahl, galvanisch verzinkt ■ CrNi-Stahl
Kolben	<ul style="list-style-type: none"> ■ Stahl, galvanisch verzinkt ■ CrNi-Stahl
Schutzbügel	
Manometer	ja
Drucksensor/Digitalmanometer	optional
Anbauart	
Manometer	direkt
Drucksensor/Digitalmanometer	direkt
Option	Kapillarleitung, Messschlauch für „verlustfreies Trennen“
Elektrischer Ausgang	
Ausgangssignal	$4 \dots 20 mA$, 2-Leiter
Hilfsenergie	DC 0 ... 30 V für Stromausgang
Bürde	$\leq (UB - 6 V)/0,024 A$
Elektrischer Anschluss	Rundstecker M12 x 1, 4-polig
Option	Handmessgerät ViSens E3908
Füllflüssigkeit (Messkolben)	Glyzerin 70 %, Wasser 30 %
Krafteinleitung (KEL)	möglichst vollflächig, min. 75 % des Kolbendurchmessers
Gewicht in kg	8

DE

Abmessungen in mm



DE

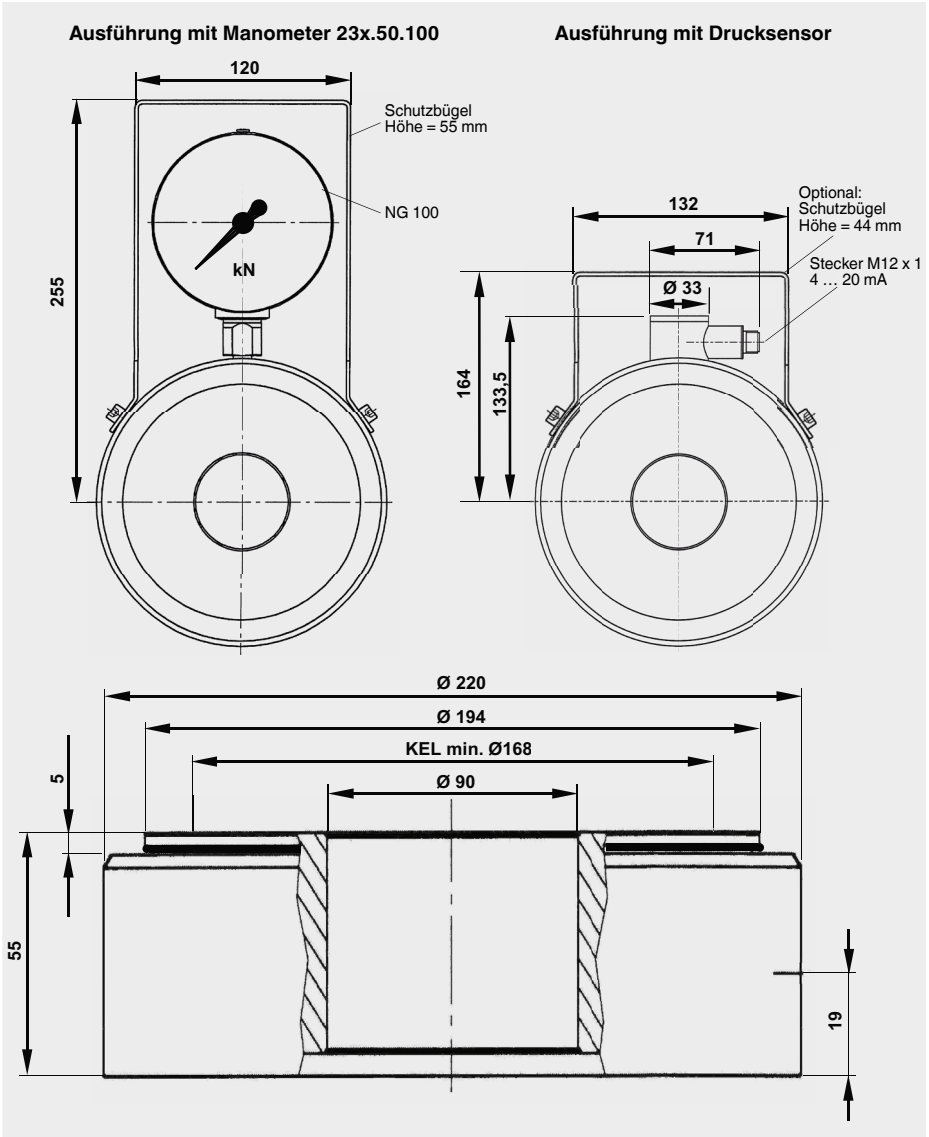
ADPR1X914115.01 10/2020 EN/DE



Dichtende Verschraubungen des hydraulischen Ringkraftaufnehmers dürfen nicht gelöst werden!

Typ F6148	
Nennkraft F_{nom}	0 ... 150 kN bis 0 ... 1.500 kN
Nenngröße	NG 146
Druckmessgerät (angebaut)	<ul style="list-style-type: none"> ■ Manometer 23x.50.100 ■ Digitalmanometer DG-10 ■ Drucksensor (auf Anfrage)
Relative Linearitätsabweichung d_{lin}	
Manometer	$\leq \pm 1,0 \% F_{nom}$
Drucksensor/Digitalmanometer	$\leq \pm 0,5 \% F_{nom}$
Temperatureinfluss auf	
den Kennwert TK_C	$1 \% F_{nom}/10 \text{ K}$
das Nullsignal TK_0	$1 \% F_{nom}/10 \text{ K}$
Grenzkraft F_L	$100 \% F_{nom}$
Bruchkraft F_B	$> 130 \% F_{nom}$
Nennmessweg s_{nom}	$< 0,5 \text{ mm}$
Nenntemperaturbereich $B_{T, nom}$	$-30 \dots +60 \text{ }^\circ\text{C}$
Schutzart nach IEC/EN 60529	
Manometer	IP65
Drucksensor/Digitalmanometer	IP67
Gehäuse	<ul style="list-style-type: none"> ■ Stahl, galvanisch verzinkt ■ CrNi-Stahl
Kolben	<ul style="list-style-type: none"> ■ Stahl, galvanisch verzinkt ■ CrNi-Stahl
Schutzbügel	
Manometer	ja
Drucksensor/Digitalmanometer	optional
Anbauart	
Manometer	direkt
Drucksensor/Digitalmanometer	direkt
Option	Kapillarleitung, Messschlauch für „verlustfreies Trennen“
Elektrischer Ausgang	
Ausgangssignal	$4 \dots 20 \text{ mA}$, 2-Leiter
Hilfsenergie	DC $0 \dots 30 \text{ V}$ für Stromausgang
Bürde	$\leq (UB - 6 \text{ V})/0,024 \text{ A}$
Elektrischer Anschluss	Rundstecker M12 x 1, 4-polig
Option	Handmessgerät ViSens E3908
Füllflüssigkeit (Messkolben)	Glyzerin 70 %, Wasser 30 %
Krafteinleitung (KEL)	möglichst vollflächig, min. 75 % des Kolbendurchmessers
Gewicht in kg	13,5

Abmessungen in mm



DE

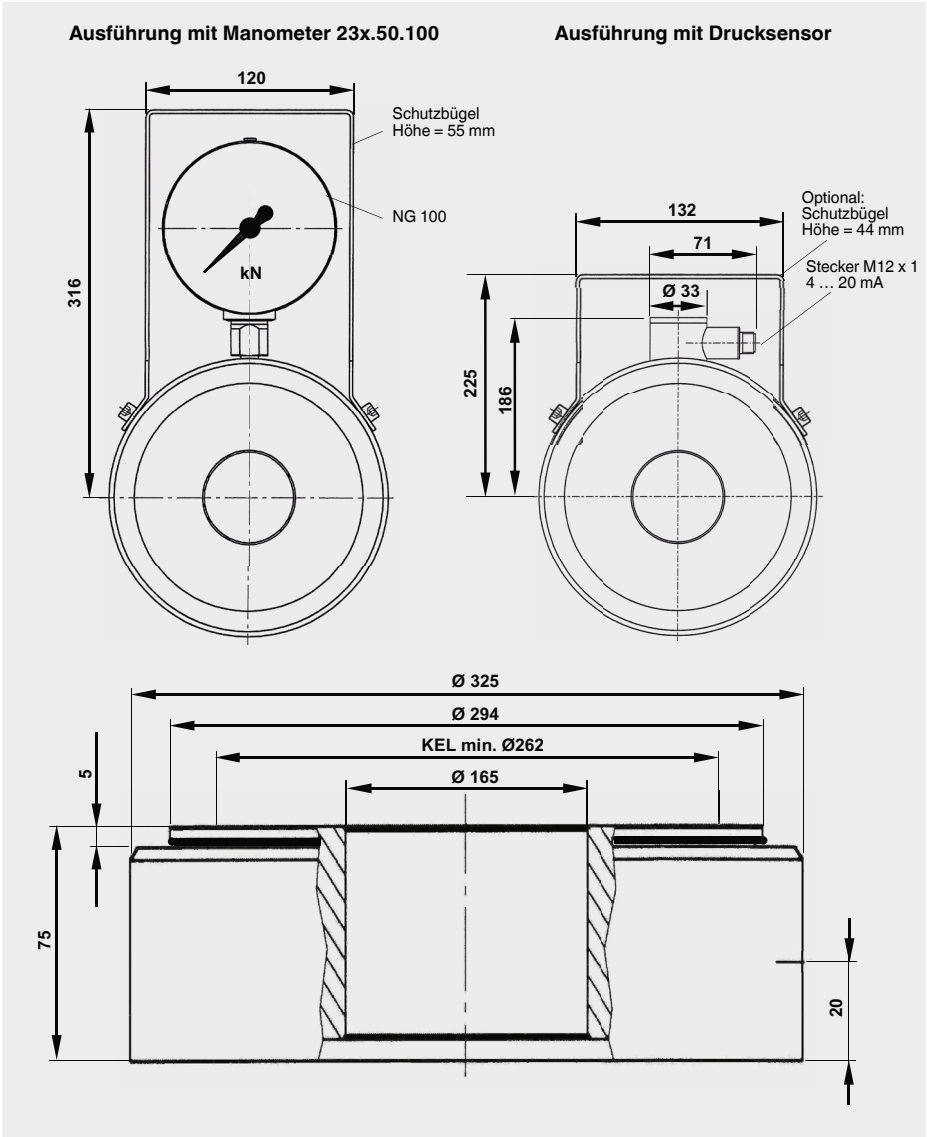
ADPR1X914115.01 10/2020 EN/DE



Dichtende Verschraubungen des hydraulischen Ringkraftaufnehmers dürfen nicht gelöst werden!

Typ F6160	
Nennkraft F_{nom}	0 ... 400 kN bis 0 ... 3.200 kN
Nenngröße	NG 383
Druckmessgerät (angebaut)	<ul style="list-style-type: none"> ■ Manometer 23x.50.100 ■ Digitalmanometer DG-10 ■ Drucksensor (auf Anfrage)
Relative Linearitätsabweichung d_{lin}	
Manometer	$\leq \pm 1,0 \% F_{nom}$
Drucksensor/Digitalmanometer	$\leq \pm 0,5 \% F_{nom}$
Temperatureinfluss auf	
den Kennwert TK_C	$1 \% F_{nom}/10 \text{ K}$
das Nullsignal TK_0	$1 \% F_{nom}/10 \text{ K}$
Grenzkraft F_L	$100 \% F_{nom}$
Bruchkraft F_B	$> 130 \% F_{nom}$
Nennmessweg s_{nom}	$< 0,5 \text{ mm}$
Nenntemperaturbereich $B_{T, nom}$	$-30 \dots +60 \text{ }^\circ\text{C}$
Schutzart nach IEC/EN 60529	
Manometer	IP65
Drucksensor/Digitalmanometer	IP67
Gehäuse	<ul style="list-style-type: none"> ■ Stahl, galvanisch verzinkt ■ CrNi-Stahl
Kolben	<ul style="list-style-type: none"> ■ Stahl, galvanisch verzinkt ■ CrNi-Stahl
Schutzbügel	
Manometer	ja
Drucksensor/Digitalmanometer	optional
Anbauart	
Manometer	direkt
Drucksensor/Digitalmanometer	direkt
Option	Kapillarleitung, Messschlauch für „verlustfreies Trennen“
Elektrischer Ausgang	
Ausgangssignal	$4 \dots 20 \text{ mA}$, 2-Leiter
Hilfsenergie	DC 0 ... 30 V für Stromausgang
Bürde	$\leq (UB - 6 \text{ V})/0,024 \text{ A}$
Elektrischer Anschluss	Rundstecker M12 x 1, 4-polig
Option	Handmessgerät ViSens E3908
Füllflüssigkeit (Messkolben)	Glyzerin 70 %, Wasser 30 %
Krafteinleitung (KEL)	möglichst vollflächig, min. 75 % des Kolbendurchmessers
Gewicht in kg	36

Abmessungen in mm



DE

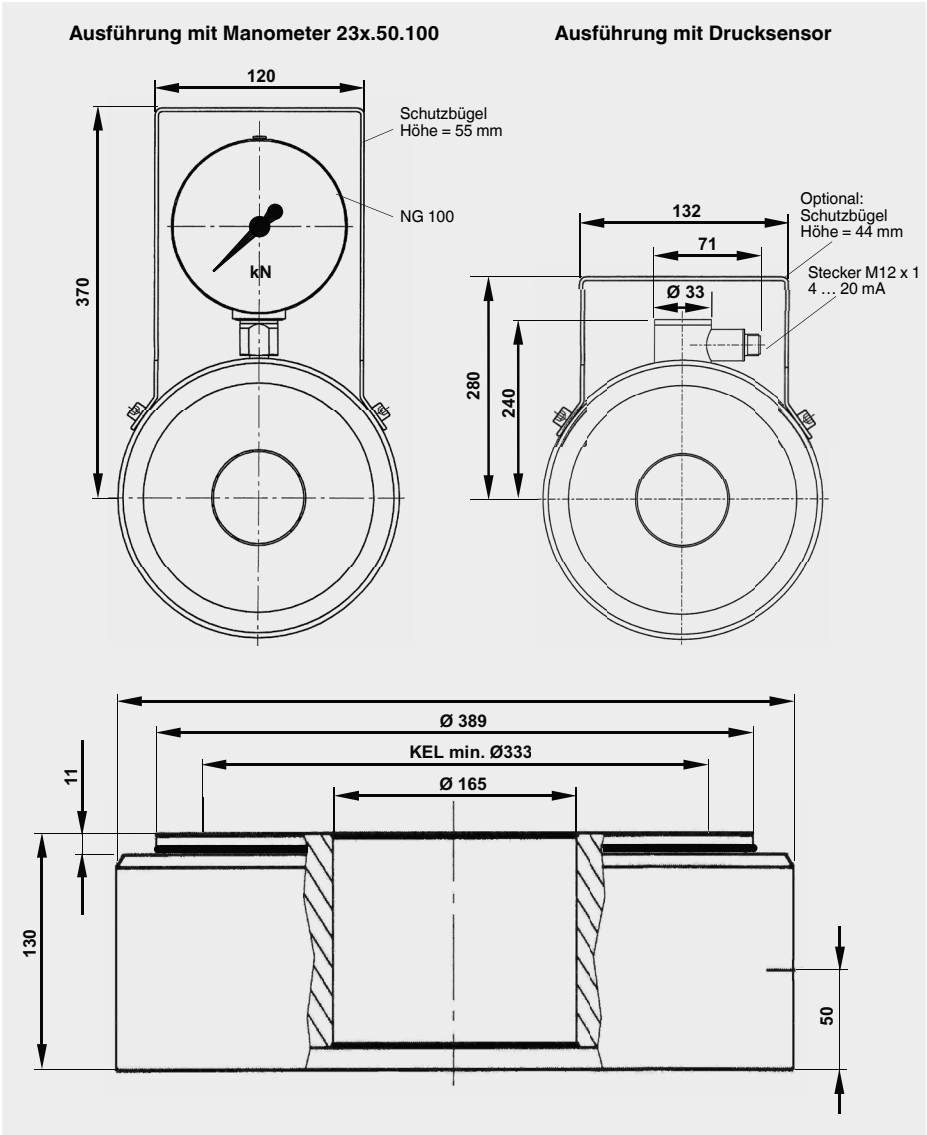
ADPR1X914115.01 10/2020 EN/DE



Dichtende Verschraubungen des hydraulischen Ringkraftaufnehmers dürfen nicht gelöst werden!

Typ F6171	
Nennkraft F_{nom}	0 ... 800 kN bis 0 ... 6.000 kN
Nenngröße	NG 827
Druckmessgerät (angebaut)	<ul style="list-style-type: none"> ■ Manometer 23x.50.100 ■ Digitalmanometer DG-10 ■ Drucksensor (auf Anfrage)
Relative Linearitätsabweichung d_{lin}	
Manometer	$\leq \pm 1,0 \% F_{nom}$
Drucksensor/Digitalmanometer	$\leq \pm 0,5 \% F_{nom}$
Temperatureinfluss auf	
den Kennwert TK_C	$1 \% F_{nom}/10 \text{ K}$
das Nullsignal TK_0	$1 \% F_{nom}/10 \text{ K}$
Grenzkraft F_L	$100 \% F_{nom}$
Bruchkraft F_B	$> 130 \% F_{nom}$
Nennmessweg s_{nom}	$< 0,5 \text{ mm}$
Nenntemperaturbereich $B_{T, nom}$	$-30 \dots +60 \text{ }^\circ\text{C}$
Schutzart nach IEC/EN 60529	
Manometer	IP65
Drucksensor/Digitalmanometer	IP67
Gehäuse	<ul style="list-style-type: none"> ■ Stahl, galvanisch verzinkt ■ CrNi-Stahl
Kolben	<ul style="list-style-type: none"> ■ Stahl, galvanisch verzinkt ■ CrNi-Stahl
Schutzbügel	
Manometer	ja
Drucksensor/Digitalmanometer	optional
Anbauart	
Manometer	direkt
Drucksensor/Digitalmanometer	direkt
Option	Kapillarleitung, Messschlauch für „verlustfreies Trennen“
Elektrischer Ausgang	
Ausgangssignal	$4 \dots 20 \text{ mA}$, 2-Leiter
Hilfsenergie	DC $0 \dots 30 \text{ V}$ für Stromausgang
Bürde	$\leq (UB - 6 \text{ V})/0,024 \text{ A}$
Elektrischer Anschluss	Rundstecker M12 x 1, 4-polig
Option	Handmessgerät ViSens E3908
Füllflüssigkeit (Messkolben)	Glyzerin 70 %, Wasser 30 %
Krafteinleitung (KEL)	möglichst vollflächig, min. 75 % des Kolbendurchmessers
Gewicht in kg	122

Abmessungen in mm



DE



Dichtende Verschraubungen des hydraulischen Ringkraftaufnehmers dürfen nicht gelöst werden!

9.1 Zulassungen

Logo	Beschreibung	Land
	EU-Konformitätserklärung ■ EMV-Richtlinie ■ RoHS-Richtlinie	Europäische Union
	EAC ■ EMV-Richtlinie	Eurasische Wirtschaftsgemeinschaft

DE

10. Zubehör

WIKA-Zubehör finden Sie online unter www.wika.de.

10.1 Kabel

Kabel mit Stecker M12 x 1		Bestellnummer		
		L = 2 m	L = 5 m	L = 10 m
4-polig mit Kabel	gerade	EZE53X011010	EZE53X011012	EZE53X011016
	gewinkelt	EZE53X011011	EZE53X011013	EZE53X011017
5-polig mit Kabel	gerade	EZE53X011043	EZE53X011044	EZE53X011047
	gewinkelt	EZE53X011045	EZE53X011046	EZE53X011071



EU-Konformitätserklärung EU Declaration of Conformity

Dokument Nr.: ADEUKX400003.01
Document No.:

Wir erklären in alleiniger Verantwortung, dass die mit CE gekennzeichneten Produkte
We declare under our sole responsibility that the CE marked products

Typenbezeichnung: F6137*, F6148*, F6160*, F6171*
Type Designation:

Beschreibung: Hydraulischer Ringkraftaufnehmer
Description: Hydraulic ring force transducer

gemäß gültigem Datenblatt:
according to the valid data sheet: FO 52.20, FO 52.21, FO 52.22, FO 52.23

die wesentlichen Schutzanforderungen der folgenden Richtlinien erfüllen: Harmonisierte Normen:
comply with the essential protection requirements of the directives: Harmonized standards:

2011/65/EU	Gefährliche Stoffe (RoHS) <i>Hazardous substances (RoHS)</i>	EN 50581:2012
2014/30/EU	Elektromagnetische Verträglichkeit (EMV) ⁽¹⁾ <i>Electromagnetic Compatibility (EMC) ⁽¹⁾</i>	EN 61326-1:2013 EN 61326-2-3:2013 EN 55011:2016 + A1:2017 (05-2018)

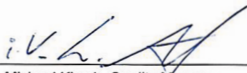
2014/68/EU Druckgeräte Richtlinie (DGRL) ⁽²⁾
Pressure Equipment Directive (PED) ⁽²⁾

- (1) Für optional eingebaute Transmitter oder Anzeigen gelten deren EU-Konformitätserklärungen und die darin gelisteten Normen.
For optional built-in transmitters and indicators their respective EU declarations of conformity and the therein listed standards apply.
- (2) PS > 200 bar; Modul A, druckhaltendes Ausrüstungsteil
PS > 200 bar; Module A, pressure accessory

Unterschiedet für und im Namen von / Signed for and on behalf of

tecsis GmbH
Offenbach, 2020-08-27


Stefan Richter, Managing Director


Michael Kirsch, Quality Manager

tecsis GmbH
Carl-Legien-Str. 40 - 44
63073 Offenbach am Main
Germany

Tel. +49 69 5806-0
Fax +49 69 5806-7788
E-Mail info@tecsis.de
www.tecsis.de

Sitz Offenbach - Offenbach am Main
Registernummer: HR B 40169
Geschäftsführer: Stefan Richter u. Thomas Steinbacher

