

Diaphragm type chemical seal with Clamp connection

Features

- Quick coupling
- Flush diaphragm at the front
- Foodstuff compatible filling liquids
- Special material for extreme service requirements

Description

Chemical seals are used when media can falsify the pressure measurements due to high temperature , high viscosity or their propensity to crystallise. Chemical seals transmit the process pressure to the measuring instrument ,with the diaphragm forming a hermetic seal between the medium and measuring instrument. In combination with capillary tube the measuring instruments can be mounted in something meters from the process pressure .



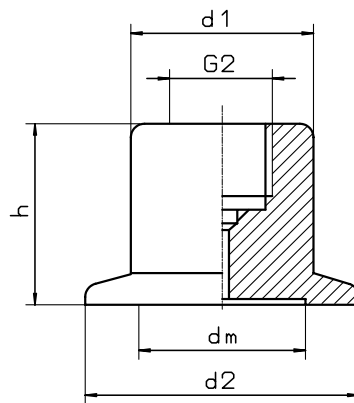
Applications

- Process engineering
- Chemical and petrochemical industries
- Foodstuff industries

| Model | IDM-50 40 | IDM-50 50 |
|-----------------------|--|-----------------------------|
| Ranges in bar | min. 4 bar max. 40 bar | min. 1,6 bar max. 40 bar |
| Construction | Clamp-connection | |
| Upper body | CrNi steel | |
| Diaphragm | CrNi steel weldet with upper body | |
| Diaphragm diameter | 32 mm | 40 mm |
| Pressure connection | 1 1/2" | 2" |
| Operation pressure | PN 40 | |
| Filling liquid | natural oil | |
| Operating temperature | Medium: -10°C up to 120°C, (for steam sterilization up to 150°C) | |

Dimensions and Design

Clamp connection



| Dimensions in mm | | | | | | | | Weight |
|------------------|--------|------|------|----|--|----|-------|--------|
| Model | DN | d1 | d2 | dm | | h | G2 | |
| IDM-50 | 1 1/2" | 39 | 50,5 | 34 | | 37 | G 1/2 | 0,3 kg |
| IDM-50 | 2" | 51,5 | 64 | 45 | | 45 | G 1/2 | 0,7 kg |