

IAKV-2VR4C – 4-digit plastic built-on enclosure including digital display

- Digit height: 20 mm
- Colour: Red
- Range of display: -999...9999
- Built-on enclosure: black, RAL9005
- Protection class: IP65
- Dimensions: 160 x 130 mm, Depth 60 mm
- Supply: 230 VAC
- Sensor supply: 24 V / 50 mA
- Measuring input: 0-10 VDC, 0/4-20 mA
- 2 relay outputs (changer)
- 10 points linearisation
- Offset set point
- Tara- / Hold-function

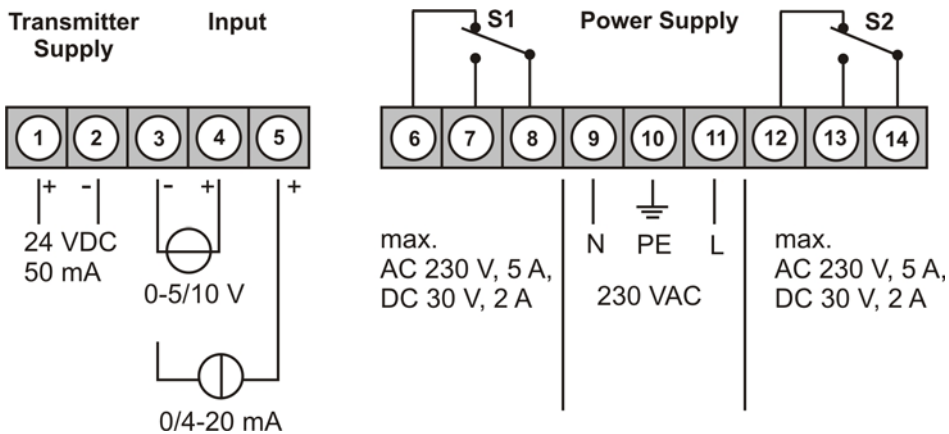


ORDER NUMBER

EUR

IAKV-2VR4C.0301.572AD

375,00



• Technical data

Housing

Dimensions	160 x 130 x 60 mm (B x H x D)
Weight	max. 430 g
Fixing	4 fixing holes in the rear side of the housing
Material	ABS (UL94V-0)
Colour	black, RAL9005
Protection class	Standard IP65
Connection	reversible screw terminals; wire cross section up to 2.5 mm ² wire feeding via high-strength cable gland connection

Display

Digit height	20 mm
Segment colour	red
Range of display	-999...9999
Setpoints	one LED per setpoint
Overflow	horizontal bars at the top
Underflow	horizontal bars at the bottom
Display time	0.1...10.0 seconds

Input

	Measuring range	R _i approx.	Measuring error [%] MB	Digit
Measuring range /	0...10 V	150 kΩ	0.1	± 1
Input resistance /	0...5 V	150 kΩ	0.1	± 1
Measuring error	0...20 mA	100 Ω	0.1	± 1
(measuring time =1 second)	4...20 mA	100 Ω	0.1	± 1

Temperature drift	all measuring inputs: 50 ppm/K
Measuring time = display time	0.1...10.0 seconds
Measuring principle	Voltage conversion / frequency conversion
Resolution (at 1 sec measuring time)	approx. 20 bit

Output

Relay	Switch-over contact 250 VAC 5 AAC respectively 30 VDC 5 ADC; at ohm resistive burden
Switching cycles	0.5 * 10 ⁵ at max. contact rating 5 * 10 ⁶ mechanically

Diversification according to DIN EN 50178
Characteristics according to DIN EN 60255

Sensor supply (galvanic insulated)	24 VDC; 50 mA
---------------------------------------	---------------

Power pack

Voltage supply (galvanic insulated)	230 VAC / 50/60 Hz / ±10 %
Power consumption	max. 8 VA

Memory

Data life	Parameter memory EEPROM >20 years
-----------	--------------------------------------

Ambient conditions

Working temperature	0...60°C
Storing temperature	-20...80°C
Weathering resistance	rel. humidity ≤ 75 % on years average without dew

EMV

DIN 61326

CE-sign

conformity according to 2014/30/EU

Safety standard

according to low voltage directive 2014/35/EU, DIN 61010, EN 60664-1