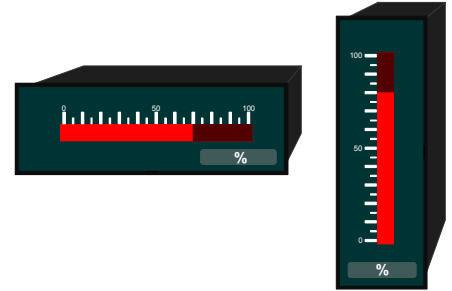


IBVO2, IBHO2 – bargraph display in 72x24 mm (BxH)

Direct current, direct voltage

0-50 VDC, 0/4-20 mA

- without setpoints
- display range adjustable via potentiometer
- protection class IP54



• Direct voltage, direct current

①	②	③	④	⑤
50 V	0/4-20 mA	0 V	-	+
Signal inputs (DC)			24 VDC	

Power supply 24 VDC
galv. isolated

	ORDER NUMBER (without options)	EUR
vertical	IBVO 2.001.575B	161,15
horizontal	IBHO 2.001.575B	161,15

• Order key options

B	V	O	2	0	0	1	5	7	5	B
B	H	O	2	0	0	1	5	7	5	B

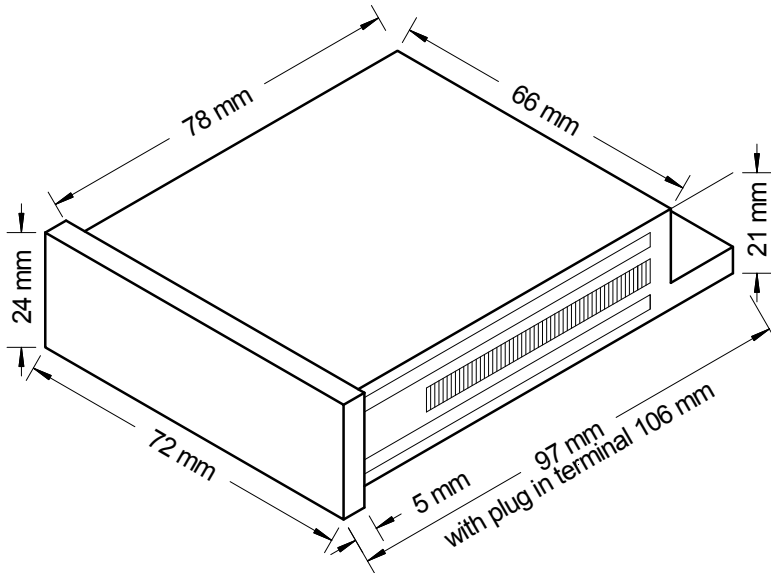
G	Green bargraph display	EUR 12,80
7	Protection class IP65 at the front side	EUR 28,10

Please state physical unit in order, e.g. %.

• Technical data

Dimensions	Housing	72 x 24 x 106 mm, including plug-in terminal
	Assembly cut out	68 ^{+0.7} x 22.2 ^{+0.3} mm
Input	Fastening	special quick plastic clamp proper to fix in wall thickness up to 50 mm
	Housing material	PC/ABS-blend, colour black, UL94V-0
	Protection	at the front IP54 connection IP00
	Weight	approx. 80 g
Accuracy	Connection	at the rear side via terminals up to 1.5 mm ²
	Measuring range	0...50 V (U _{min} = 5 V, U _{max} = 60 V); 0/4...20 mA (I _{min} = 8 mA, I _{max} = 25 mA) All ranges selectable via connection terminal / offset adjustment supported by offset potentiometer!
Power unit	Input resistance	R _i with 10 V = 100 KΩ 20 mA = 100 Ω
	Resolution	20 digit
	Measuring fault	±1 digit
Display	Temp. drift	100 ppm/K
	Supply voltage	24 VDC ±10% galvanic isolated
Ambient conditions	Power consumption	approx. 1.5 VA
	Display	bargraph indication 20 digits Colour red / optionally green
Ambient conditions	Working temperature	0 up to +60°C
	Storing temperature	-20 up to +80°C

Housing:



• Ordering code

IB H O 2 0 0 1 5 7 5 B

Basic model

Orientation

horizontal
vertical

H
V

Digital display (numeric)

without display

0

Number of bars

20

2

Sensor supply

not available

0

Analog output

not available

0

Internal index

Mechanical options

5 Plug-in terminal, Protection IP54
7 Plug-in terminal, Protection IP65

Power supply

1 230/115 VAC
7 24 VDC galvanic isolated

Size of housing

5 72x24

Measuring input

1 Direct voltage, direct current