

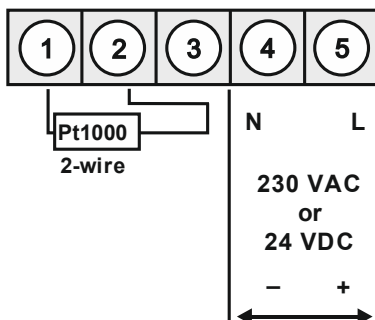
IM1 – 4-digit digital panel meters in 72x36 mm (BxH) Pt1000 2-wire -200°C...850°C / -328°F...1562°F

- red display with -1999...9999 digits (optional green, orange or blue displays)
- minimal installation depth: 100 mm with plug-in terminal
- adjustment via factory default or directly on the sensor signal
- min/max-value recording
- displayed in °C or °F
- display flashing at threshold undercut/ exceedance
- navigation keys for the recall of the min/max-values or for threshold value corrections during operation
- impedance matching
- programming interlock via access code
- protection class IP65 at the front
- plug-in terminal
- optional: 2 relay outputs
- accessories: pc-based configuration-kit PM-TOOL with USB adapter
- on request: devices for working temperatures of -40°C...+70°C



ORDER NUMBER **EUR**
 (without options)

• Pt1000 2-wire -200°C...850°C / -328°F...1562°F



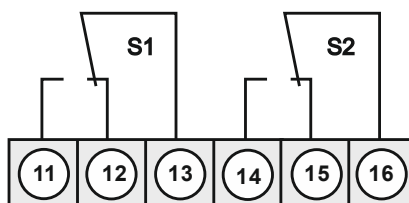
Supply 230 VDC

IM1-6TR4B.060C.570xD **206.50**

Supply 24 VDC

IM1-6TR4B.060C.770xD **217.10**

Option:



• Product key options

IM	1-	6	T	R	4	B.	0	6	0	C.	5	7	0	x	D	EUR
IM	1-	6	T	R	4	B.	0	6	0	C.	7	7	0	x	D	
											D	Dimension/physical unit, customer-specific settings				20.00
											2	2 relay outputs				31.80
											1	without keypad, operation via PC software PM-TOOL				10.60
											X	Other voltage supplies on request!				
											B	Blue				35.00
											G	Green				10.10
											Y	Orange				10.10

State physical unit by order, e.g. °F!

• Parameterisation software

PC based configuration software PM-Tool for devices without keypad, for a simple adjustment of standard devices, incl. USB-adapter. Programming happens via an interface on the back.

PM-TOOL-MUSB4 **94.30**

• Technical data

Dimensions	Housing	B72 x H36 x D71 mm, (incl. plug-in terminal D = 100 mm)
	Panel cut-out	68.0 ^{+0.7} x 32.0 ^{+0.6} mm
	Fixing	screw elements for wall thickness up to 3 mm
	Housing material	PC Polycarbonate, black
	Sealing material	EPDM, 65 Shore, black
	Protection class	at the front IP65 standard, at the back IP00
	Weight	approx. 200 g
	Connection	plug-in terminal; wire cross section up to 2.5 mm ²
Display	Display	4-digit
	Digit height	14 mm
	Segment colour	red (Standard), optional available in green, blue and orange
	Range of display	-1999 to 9999
	Threshold values	optical display flashing
	Overflow	horizontal bars at the top
	Underflow	horizontal bars at the bottom
Display time/Meas. time	0.1 to 10.0 seconds	
Measuring input	Measuring range	-200°C...850°C / -328°F...1562°F
	Measuring error	0.2% of measuring range, ± 1 Digit
	Temperature drift	100 ppm/K
	Measuring principle	
	Resolution	approx. 0.1°C or 0.1°F
Output	2x relay outputs	contact voltage 30 VDC/AC, max. 2 A resistive load
	with normally open contact	operating life < 30 mV/< 10 mA – minimum 2.5x10 ⁶
		30 VDC / 1 A – minimum 5x10 ⁵ 30 VDC / 2 A – minimum 1x10 ⁵
Power pack	Supply	230 VAC ±10 % (max. 3 VA)
		24 VDC ±10 %, galvanic isolated (max. 1 VA)
Memory	EEPROM	Data life ≥ 100 years at 25°C
Ambient conditions	Working temperature	0 to +60°C
	Storing temperature	-20 to +80°C
	Climatic density	relative humidity 0-85% on years average without dew
CE-sign	Conformity to directive 2014/30/EU	
EMV	EN 61326, EN 55011	
Safety standard	According to low voltage directive 2014/35/EU, EN 61010; EN 60664-1	

Housing:

