

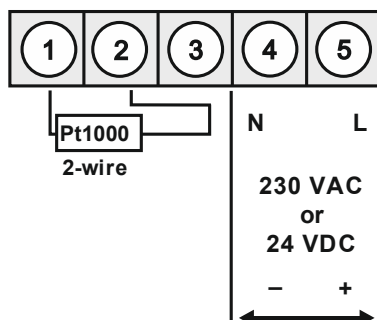
IM1 – 4-digit digital panel meters in 72x36 mm (BxH) Pt1000 2-wire -200°C...850°C / -328°F...1562°F

- red display with -1999...9999 digits (optional green, orange or blue displays)
- minimal installation depth: 100 mm with plug-in terminal
- adjustment via factory default or directly on the sensor signal
- min/max-value recording
- displayed in °C or °F
- display flashing at threshold undercut/ exceedance
- navigation keys for the recall of the min/max-values or for threshold value corrections during operation
- impedance matching
- programming interlock via access code
- protection class IP65 at the front
- plug-in terminal
- optional: 2 relay outputs
- accessories: pc-based configuration-kit PM-TOOL with CD & USB adapter
- on request: devices for working temperatures of -40°C...+70°C



ORDER NUMBER **EUR**
(without options)

• Pt1000 2-wire -200°C...850°C / -328°F...1562°F



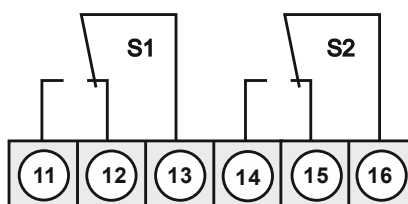
Supply 230 VDC

IM1-6TR4B.060C.570xD **206.50**

Supply 24 VDC

IM1-6TR4B.060C.770xD **217.10**

Option:



• Product key options

IM	1-	6	T	R	4	B.	0	6	0	C.	5	7	0	x	D	EUR
IM	1-	6	T	R	4	B.	0	6	0	C.	7	7	0	x	D	
											2					31.80
											1					10.60
											X					
											B					35.00
											G					10.10
											Y					10.10

State physical unit by order, e.g. °F!

• Parameterisation software

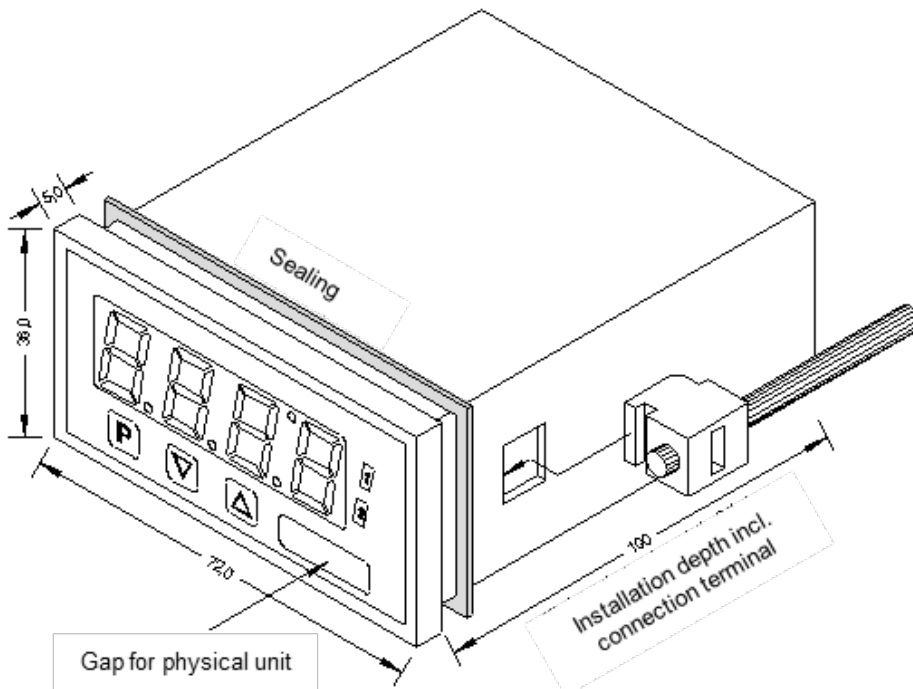
PC based configuration software PM-Tool for devices without keypad, for a simple adjustment of standard devices, incl. CD & USB-adapter. Programming happens via an interface on the back.

PM-TOOL-MUSB4 **94.30**

• **Technical data**

Dimensions	Housing	B72 x H36 x D71 mm, (incl. plug-in terminal D = 100 mm)
	Panel cut-out	68.0 ^{+0.7} x 32.0 ^{+0.6} mm
	Fixing	screw elements for wall thickness up to 3 mm
	Housing material	PC Polycarbonate, black
	Sealing material	EPDM, 65 Shore, black
	Protection class	at the front IP65 standard, at the back IP00
	Weight	approx. 200 g
	Connection	plug-in terminal; wire cross section up to 2.5 mm ²
Display	Display	4-digit
	Digit height	14 mm
	Segment colour	red (Standard), optional available in green, blue and orange
	Range of display	-1999 to 9999
	Threshold values	optical display flashing
	Overflow	horizontal bars at the top
	Underflow	horizontal bars at the bottom
Display time/Meas. time	0.1 to 10.0 seconds	
Measuring input	Measuring range	-200°C...850°C / -328°F...1562°F
	Measuring error	0.2% of measuring range, ± 1 Digit
	Temperature drift	100 ppm/K
	Measuring principle	
	Resolution	approx. 0.1°C or 0.1°F
Output	Relay	with change-over contact 250 V / 5 AAC, 30 V / 5 VDC
	Switching cycles	30 * 10 ³ with 5 AAC, 5 ADC ohm resistive load 10 * 10 ⁶ mechanically
		Diversity according to DIN EN50178 / Characteristics according to DIN EN60255
Power pack	Supply	230 VAC ±10 % (max. 3 VA) 24 VDC ±10 %, galvanic isolated (max. 1 VA)
Memory	EEPROM	Data life ≥ 100 years at 25°C
Ambient conditions	Working temperature	0 to +60°C
	Storing temperature	-20 to +80°C
	Climatic density	relative humidity 0-85% on years average without dew
CE-sign	Conformity to directive 2014/30/EU	
EMV	EN 61326, EN 55011	
Safety standard	According to low voltage directive 2014/35/EU, EN 61010; EN 60664-1	

Housing:



• Product key

	IM	1-	6	T	R	4	B.	0	6	0	C.	7	7	0	x	D	
Basic type M-line																	Dimension
																	<input type="checkbox"/> D physical unit (free selectable)
Installation depth																	Version
100 mm incl. plug-in terminal			<input type="checkbox"/> 1														<input type="checkbox"/> x internal version
Housing size																	Switching points
72x36x71 mm (BxHxD)			<input type="checkbox"/> 6														<input type="checkbox"/> 0 no switching points
Display type																	<input type="checkbox"/> 2 2 relay outputs
Temperature				<input type="checkbox"/> T													Protection class
Display colours																	<input type="checkbox"/> 1 without keypad, operation via PM-TOOL
Blue					<input type="checkbox"/> B												<input type="checkbox"/> 7 IP65 / plug-in terminal
Green					<input type="checkbox"/> G												
Red					<input type="checkbox"/> R												
Orange					<input type="checkbox"/> Y												Supply voltage
Number of digits																	<input type="checkbox"/> 5 230 VAC
4-digit																	<input type="checkbox"/> 7 24 VDC galv. isolated
Digit height																	Measuring input
14 mm					<input type="checkbox"/> B												<input type="checkbox"/> C Pt1000
Digital input																	Analog output
none																	<input type="checkbox"/> 0 none
																	Pt1000 type
																	<input type="checkbox"/> 6 2-wire