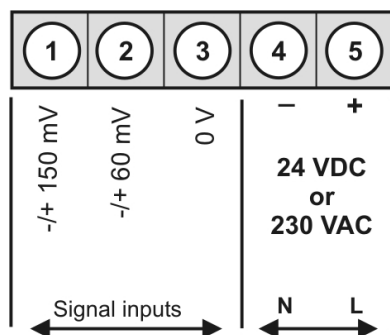


## IM1 – 4 digit digital panel meter in 96x24 mm (BxH) Direct voltage Shunt 0-150 mV, 0-60 mV

- red display of -1999...9999 digits (optional green, orange or blue display)
- minimal installation depth: 57 mm without plug-in terminal
- adjustment via factory default or directly on the sensor signal
- min/max-value recording
- 10 adjustable support points
- display flashing at threshold exceedance / undershooting
- navigation keys for the recall of min/max-values or limit value corrections during operation
- tara-function
- programming interlock via access code
- protection class IP65 at the front
- plug-in terminal
- accessories: pc-based configuration-kit PM-TOOL with CD & USB adapter
- on request: devices for working temperatures of -40°C...+70°C



### • Direct voltage (Shunt)



Supply 230 VAC

Supply 24 VDC

**ORDER NUMBER**      **EUR**  
(without options)

**IM1-3VR4B.0002.570xD**      **185.30**

**IM1-3VR4B.0002.770xD**      **195.90**

### • Order key options

IM	1-	3	V	R	4	B.	0	0	0	2.	5	7	0	x	D
IM	1-	3	V	R	4	B.	0	0	0	2.	7	7	0	x	D

**EUR**

1	without keypad, operation via PM-TOOL	10.60
X	Other voltage supplies on request!	
B	Blue	35.00
G	Green	10.10
Y	Orange	10.10

Please state physical unit in order, e.g. A.

### • Parameterisation software

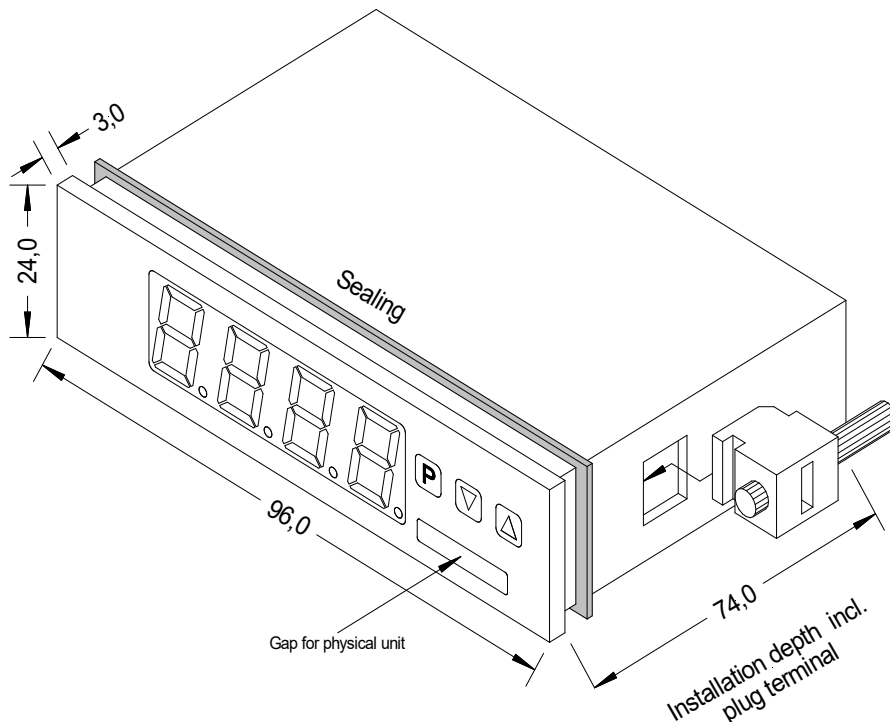
PC based configuration software PM-Tool for devices without keypad, for a simple adjustment of standard devices, incl. CD & USB-adaptor. Programming happens via an interface on the back.

**PM-TOOL-MUSB4**      **94.30**

## • Technical data

<b>Dimension</b>	Housing	B96 x H24 x D57 mm (including plug-in terminal, D= 74 mm)	
	Panel cut-out	92.0 <sup>+0.8</sup> x 22.2 <sup>+0.3</sup> mm	
	Fixing	screw elements for insulation thickness up to 3 mm	
	Housing material	PC Polycarbonate, black	
	Sealing material	EPDM, 65 Shore, black	
	Protection class	at the front IP65 standard, back side IP00	
	Weight	approx. 50 g	
<b>Display</b>	Connection	plug-in terminal; line cross-section up to 2.5 mm <sup>2</sup>	
	Display	4-digit	
	Digit height	14 mm	
	Segment colour	red (standard), optional available in green, blue and orange	
	Display range	-1999 to 9999	
	Setpoints	optical display flashing	
	Overflow	horizontal bars at the top	
Underflow	horizontal bars at the bottom		
Display time/ Measuring time	0.1 to 10.0 seconds		
<b>Measuring input</b>	Span	-5...80 mV	/ -10...180 mV
	Measuring range	0...60 mV	/ 0...150 mV
	Input resistance	Ri at ~12 kΩ	/ Ri at ~30 Ω
	Measuring fault	0.5% of measuring range, ± 1 digit	/ 0.5% of measuring range, ± 1 digit
	Temperature drift	100 ppm/K	
	Measuring time	0.1 ... 10.0 seconds	
	Measuring principle	U/F-conversion	
Resolution	approx. 18 bit at 1 sec measuring time		
<b>Power pack</b>	Supply	230 VAC ±10 % (max. 3 VA)	
		24 VDC ±10 %, galvanic isolated (max. 1 VA)	
<b>Memory</b>	EEPROM	Data life ≥ 100 years at 25°C	
<b>Ambient conditions</b>	Working temperature	0 to +60°C	
	Storing temperature	-20 to +80°C	
	Climatic density	relative humidity 0-85% on years average without dew	
<b>CE-sign</b>	Conformity to directive 2014/30/EU		
<b>EMV</b>	EN 61326, EN 55011		
<b>Safety standard</b>	According to low voltage directive 2014/35/EU, EN 61010; EN 60664-1		

### Housing:



• Ordering code  
IM1

	IM	1-	3	V	R	4	B.	0	0	0	2.	7	7	0	x	D	
<b>Basic type M-Line</b>																	<b>Dimension</b>
																	<input type="checkbox"/> D physical unit (free selectable)
<b>Installation depth</b>																	<b>Version</b>
74 mm incl. plug-in terminal																	<input type="checkbox"/> x internal version
<b>Housing size</b>																	<b>Switching points</b>
96 x 24 x 57 mm																	<input type="checkbox"/> 0 no switching points
<b>Display type</b>																	<b>Protection class</b>
Voltage, current																	<input type="checkbox"/> 1 without keypad, operation via PM-TOOL
<b>Display colours</b>																	<input type="checkbox"/> 7 IP65 / plug-in terminal
Blue																	<b>Supply voltage</b>
Green																	<input type="checkbox"/> 5 230 VAC
Red																	<input type="checkbox"/> 7 24 VDC galv. isolated
Orange																	<b>Measuring input</b>
<b>Number of digits</b>																	<input type="checkbox"/> 2 Shunt 0-60-150 mV
4-digit																	<b>Analog output</b>
<b>Digit height</b>																	<input type="checkbox"/> 0 without
14 mm																	<b>Sensor supply</b>
<b>Interface</b>																	<input type="checkbox"/> 0 without
without																	