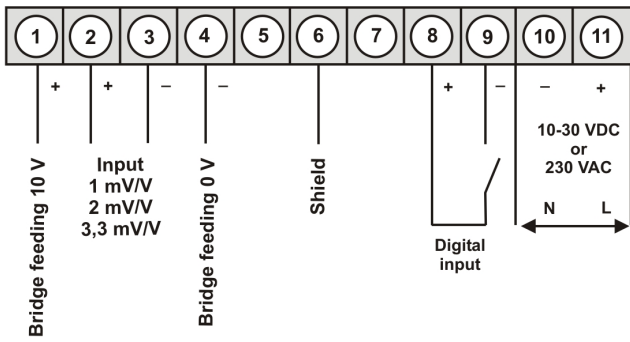




IM2 – 5-digit digital panel meter 96x48 (BxH) DMS-amplifier – weighing technology

- red display of -19999...99999 digits (optional green, orange, blue or tricolour display)
- compact installation depth: 70 mm without plug-in terminal
- adjustment via factory default or directly on the sensor signal
- min/max-memory with adjustable permanent display
- 30 additional adjustable supporting points
- display flashing at threshold value exceedance/undercut
- zero key for actuation of tara-function / hold-function or sensor alignment
- standard digital input for Hold, Tara or sensor alignment
- flexible alarm system with adjustable delay times
- mathematical functions like reciprocal value, square root, squaring and rounding
- sliding averaging
- brightness control via parameters or front keys
- programming interlock via access code
- protection class IP65 at the front
- plug-in screw terminal
- optional: 2 relay outputs
- accessories: pc-based configuration-kit PM-TOOL with CD & USB adapter
- on request: devices for working temperatures of -20°C...60°C or -40°C...70°C

• **Weighing technology**



Supply 230 VAC

Supply 10-30 VDC

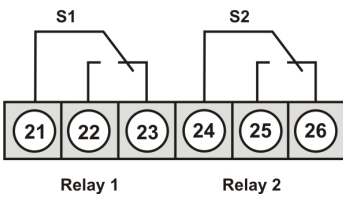
IM2-1WR5B.020X.570xD

270.00

IM2-1WR5B.020X.670xD

338.90

Options:



• **Product key options**

IM	2-	1	W	R	5	B.	0	2	0	X.	5	7	0	x	D
IM	2-	1	W	R	5	B.	0	2	0	X.	6	7	0	x	D

		EUR
2	2 relay outputs	35.00
1	Without keypad, operation via PC software PM-TOOL	10.60
4	Voltage supply 115 VAC	10.90
B	Blue	46.60
G	Green	10.10
Y	Orange	10.10
T	Tricolour (Red-Green-Orange)*	31.80

* For devices with 230 VAC voltage supply there are no relay outputs available.

Please state physical unit on demand, e.g. kg.

• **Parameterisation software**

PC based configuration software PM-Tool for devices without keypad, for a simple adjustment of standard devices, incl. CD & USB-adapter. Programming happens via an interface on the back.

ORDER NUMBER

EUR

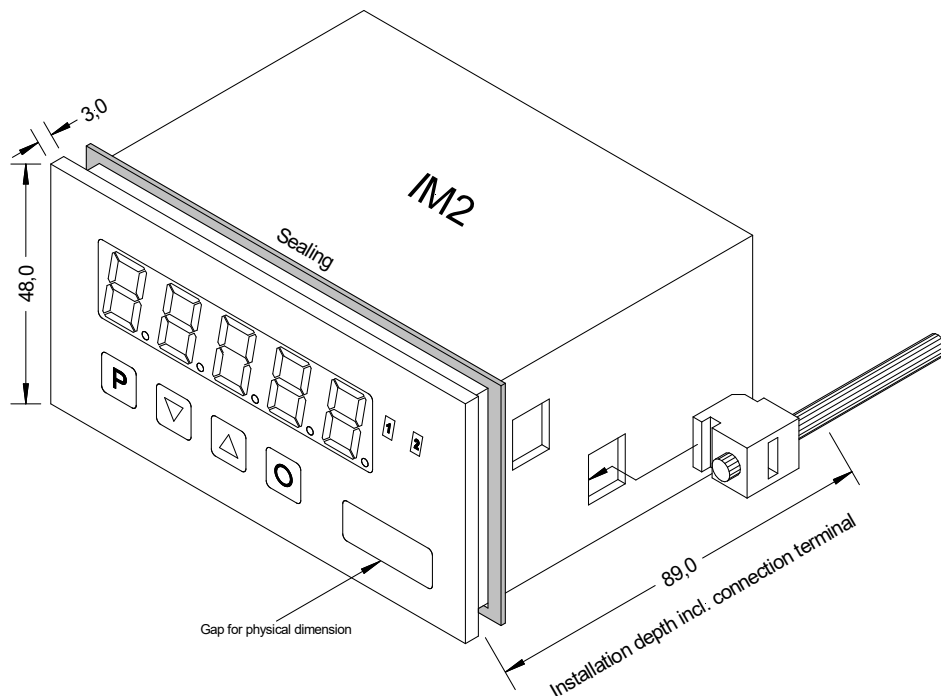
PM-TOOL-MUSB4

94.30

• **Technical data**

Dimension	Housing	B96 x H48 x D70 mm (including plug-in terminal D= 89 mm)
	Panel cut-out	92.0 ^{+0.8} x 45.0 ^{+0.6} mm
	Fixing	screw elements for insulation thickness up to 3 mm
	Housing material	PC Polycarbonate, black
	Sealing material	EPDM, 65 Shore, black
	Protection class	at the front IP65 standard, back side IP00
	Weight	approx. 250 g
	Connection	plug-in terminal; line cross-section up to 2.5 mm ²
Display	Display	5-digit
	Digit height	14 mm
	Segment colour	red (standard), optional available in green, blue, orange or tricolour (red/green/orange)
	Display range	-19999 to 99999
	Setpoints	optical display flashing
	Overflow	horizontal bars at the top
	Underflow	horizontal bars at the bottom
Display time	0.1 to 10.0 seconds	
Measuring input	Sensor sensitivity	1 mV/V, 2 mV/V, 3.3 mV/V with Tara
	Sensor alignemnt	always required
	Measuring fault	0.2% of measuring range in controlled electromagnetic environment 1 % of measuring range in industrial environment with a strong disturbing source
	Drift of temperature	100 ppm/K
	Measuring time	0.1 ... 10.0 seconds
	Measuring principle	U/F-converter
	Resolution	approx. 18 bit at 1 second measuring time, 3.3 mV/V of measuring range
Output	Relay	with change-over contact 250 V / 5 AAC, 30 V / 5 ADC
	Switching cycle	30 * 10 ³ at 5 AAC, 5 ADC ohm resistive burden 10 * 10 ⁶ mechanically Separation in accordance with DIN EN 50178 / Specifications in accordance with DIN EN 60255
	PhotoMos output	NOC contacts: 30 VDC/AC, 4 A
	Analog output	0-10 VDC / burden ≥ 10 kΩ, 0/4-20 mA / burden ≤ 500 Ω, 16 bit
Bridge supply	10 VDC / 2-40 mA / 300-5000 Ω	
Digital input	Input galv. isolated	< 2.4 OFF; > 10 V ON; max. 30 VDC, Ri at ~ 5 kΩ
Power pack	Supply	230 VAC 50/60 Hz ±10% (max. 10 VA) 10-30 VDC, galvanic isolated (max. 4 VA)
Memory	EEPROM	Data life ≥ 100 years at 25°C
Ambient conditions	Working temperature	0 to +60°C
	Storing temperature	-20 to +80°C
	Climatic density	relative humidity 0-85% on years average without dew
CE-sign	Conformity to directive 2014/30/EU	
EMV	EN 61326, EN 55011	
Safety standard	According to low voltage directive 2014/35/EU, EN 61010; EN 60664-1	

Housing:



• Order key

	IM	2-	1	W	R	5	B.	0	2	0	X.	6	7	0	x	D	
Basic type M-Line																	Dimension
																	<input type="checkbox"/> D physical unit
Installation depth																	Version
89 mm (incl. plug-in terminal)																	<input type="checkbox"/> x internal version
Housing size																	Switching points
96x48x70 mm (BxHxD)																	<input type="checkbox"/> 0 no switching point
																	<input type="checkbox"/> 2 2 relay outputs
Display type																	Protection class
Weighing technology																	<input type="checkbox"/> 1 without keypad, operation via PM-TOOL
																	<input type="checkbox"/> 7 IP65 / plug-in terminal
Display colours																	Supply voltage
Blue																	<input type="checkbox"/> 4 115 VAC
Green																	<input type="checkbox"/> 5 230 VAC
Red																	<input type="checkbox"/> 6 10-30 VDC galv. isolated
Red/Green/Orange																	
Orange																	
Number of digits																	Measuring input
5-digit																	<input type="checkbox"/> X Weighing technology 1 mV/V – 3.3 mV/V
Digit height																	Analog output
14 mm																	<input type="checkbox"/> 0 without
																	<input type="checkbox"/> X 0-10 VDC, 0/4-20 mA
Interface																	Bridge supply
without																	<input type="checkbox"/> 0 without
																	<input type="checkbox"/> 2 10 VD / 20-40 mA, incl. digital input