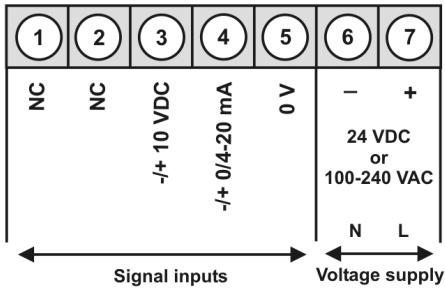




M3 – 5-digit digital panel meter in 48x24 mm (BxH) Standard signal 0/4-20 mA, 0-10 VDC

- red display from -19999...99999 digits (optional green, orange or blue display)
- installation depth: 90 mm without plug-in terminal
- multi voltage power supply unit 100-240 VAC
- adjustment via factory default or directly on the sensor signal
- min/max-memory with adjustable permanent display
- 30 additional adjustable support points
- display flashing at threshold exceedance / threshold undershooting
- navigation keys for the triggering of Hold, Tara, display change, setpoint setting, alarm actuator
- flexible alarm system with adjustable delay times
- volume measuring (totaliser)
- mathematical functions like reciprocal value, square root, square, rounding
- constant setting / setpoint setting
- sliding averaging
- brightness control via parameter or front keys
- programming interlock via access code
- protection class IP65 at the front
- pluggable screw terminal
- optional: 2 PhotoMos-outputs
- optional: sensor supply
- optional: 1 independently scalable analog output
- optional: galv. isolated digital input for the triggering of Tara, Hold, display change
- accessories: pc-based configuration-kit PM-TOOL with CD & USB adapter
- on request: devices for working temperatures of -20°C...50°C or -40°C...70°C without condensation

• **Direct current, direct voltage**



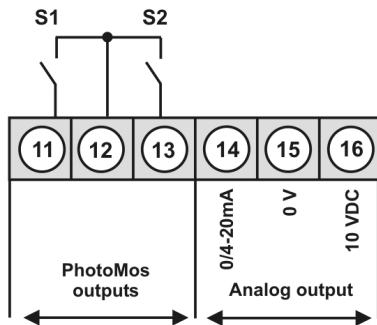
Supply 24 VDC

M3-7VR5A.0001.770xD 201.20

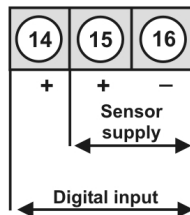
Supply 100-240 VAC, DC ± 10%

M3-7VR5A.0001.S70xD 211.80

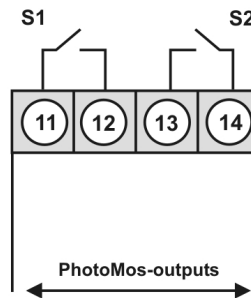
Options: device with a supply of 24 VDC



alternative for analog output



Options: device with a supply of 100-240 VAC



• **Product key options:** devices with a supply of 24 VDC

IM	3-	7	V	R	5	A.	0	0	0	1.	7	7	0	x	D	EUR		
																S260 up to 50 VDC, measuring fault 0.5% of final value	15.90	
																2	2 PhotoMos outputs	31.80
																1	Without keypad, operation via PC software PM-TOOL	10.60
																X	Analog output 0/4-20 mA, 0-10 VDC galvanic isolated	127.10
																2	Sensor supply 10 VDC / 20 mA incl. digital input	53.00
																3	Sensor supply 24 VDC / 50 mA incl. digital input	53.00
																I	Digital input galvanic isolated	21.20
																B	Blue	46.60
																G	Green	10.10
																Y	Orange	10.10

• **Product key options:** devices with a supply of 100-240 VAC

IM	3-	7	V	R	5	A.	0	0	0	1.	S	7	0	x	D	EUR		
																2	2 PhotoMos outputs	31.80
																1	Without keypad, operation via PC software PM-TOOL	10.60
																B	Blue	46.60
																G	Green	10.10
																Y	Orange	10.10

Please state physical unit on demand in your order, e.g. bar.

• **Parameterisation software**

PC based configuration software PM-Tool for devices without keypad, for a simple adjustment of standard devices, incl. CD & USB-adapter. Programming happens via an interface on the back.

ORDER NUMBER

EUR

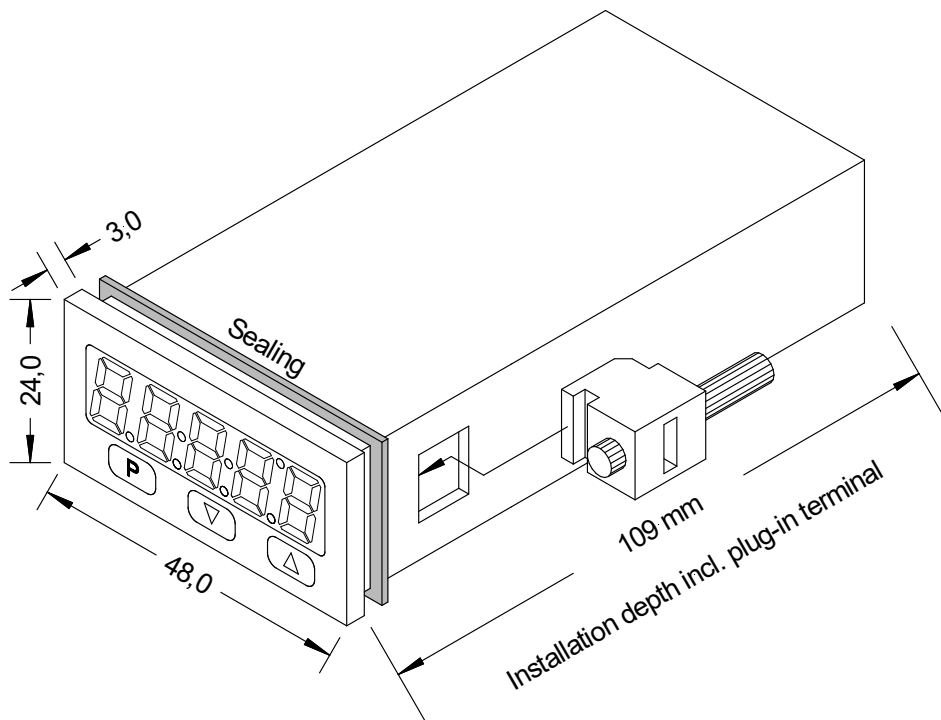
PM-TOOL-MUSB4

94.30

• **Technical data**

Housing dimension	Housing	B48 x H24 x T90 mm, (with plug-in terminal D= 109 mm)	
	Panel cut-out	45.0 ^{+0.6} x 22.2 ^{+0.3} mm	
	Fixing	screw elements for wall thicknesses up to 5 mm	
	Housing material	PC Polycarbonate, black	
	Sealing material	EPDM, 65 Shore, black	
	Protection class	at the front IP65 standard, at the back IP00	
	Weight	approx. 200 g	
	Connection	plug-in terminal; wire cross section up to 2.5 mm ²	
Display	Display	5-digit	
	Digit height	10 mm	
	Segment colour	red (Standard), optional available in green, orange and blue	
	Display range	-19999 to 99999	
	Limit values	optical display flashing	
	Overflow	horizontal bars at the top	
	Underflow	horizontal bars at the bottom	
	Display time	0.1 to 10.0 seconds	
Measuring input	Span	-12...12 V	/ -22...24 mA
	Measuring range	0-10 VDC	/ 0/4-20 mA
	Input resistance	Ri at ~200 kΩ	/ Ri at ~100 Ω
	Measuring fault	0.1% of measuring range, ± 1 digit / 0.1% of measuring range, ± 1 digit	
	Temperature drift	100 ppm/K	
	Measuring time	0.1 ... 10.0 seconds	
	Measuring principle	U/F-conversion	
	Resolution	approx. 18 bit at 1 second measuring time	
Output	PhotoMos	Closer contacts: 30 VDC/AC, 0.4 A	
	Analog output	0-10 VDC / burden ≥ 10 kΩ, 0/4-20 mA / burden ≤ 500 Ω, 16 bit	
	Sensor supply	24 VDC / 50 mA, 10 VDC / 20 mA	
Digital input	Input galv. isolated	<2.4 V OFF; 10 V ON; max. 30 VDC, R _i ~ 5 kΩ	
Power pack	Supply	100-240 VAC 50/60 Hz / DC ± 10% (max. 5 VA) 24 VDC ± 10%, galvanic isolated (max. 4 VA)	
Memory	EEPROM	Data life ≥ 100 years at 25°C	
Ambient conditions	Working temperature	0 to +50°C	
	Storing temperature	-20 to +80°C	
	Climatic density	relative humidity 0-85% on years average without dew	
CE-sign	Conformity to directive 2014/30/EU		
EMV	EN 61326, EN 55011		
Safety standard	According to low voltage directive 2014/35/EU, EN 61010; EN 60664-1		

Housing:



• Order key

	IM	3-	7	V	R	5	A.	0	0	0	1.	7	7	0	x	D	
Standard type M-Line																Dimension	
																<input type="checkbox"/> D physical unit (free selectable)	
Installation depth																Version	
109 mm (incl. plug-in terminal)	<input type="checkbox"/> 3															<input type="checkbox"/> x internal version	
Housing size																Switching points	
48x24x90 mm (BxHxD)	<input type="checkbox"/> 7															<input type="checkbox"/> 0 no switching point	
Display type																<input type="checkbox"/> 2 2 PhotoMos-outputs	
V, A	<input type="checkbox"/> V															Protection class	
Display colours																<input type="checkbox"/> 1 without keypad, operation via PM-TOOL	
Blue	<input type="checkbox"/> B															<input type="checkbox"/> 7 IP65 / pluggable terminal	
Green	<input type="checkbox"/> G																
Red	<input type="checkbox"/> R																
Orange	<input type="checkbox"/> Y																
Number of digits																Supply voltage	
5-digit	<input type="checkbox"/> 5															<input type="checkbox"/> 7 24 VDC galv. isolated	
Digit height																<input type="checkbox"/> S 100-240 VAC	
10 mm	<input type="checkbox"/> A															Measuring input	
Digital input																<input type="checkbox"/> 1 Direct current, direct voltage	
without	<input type="checkbox"/> 0															Analog output	
1 digital input	<input type="checkbox"/> I															<input type="checkbox"/> 0 without	
																<input type="checkbox"/> X 0-10 VDC, 0/4-20 mA	
																Sensor supply	
																<input type="checkbox"/> 0 without	
																<input type="checkbox"/> 2 10 VDC / 20 mA, incl. digital input	
																<input type="checkbox"/> 3 24 VDC / 50 mA, incl. digital input	