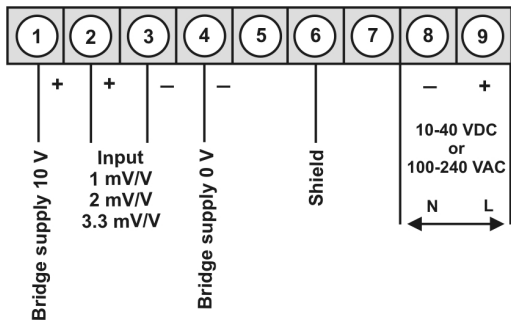




## **IM3 – 5-digit digital panel meter in 96x48 mm (BxH) DMS-amplifier – weighing technology**

- red display of -19999...99999 digits (optional green, orange, blue or tricolour display)
- installation depth: 120 mm without plug-in screw terminal
- multi voltage power supply unit 100-240 VAC, alternatively 10-40 VDC
- adjustment via factory setting or directly on the sensor signal
- min/max-memory with adjustable permanent display
- 30 additional adjustable support points
- display flashing at threshold value exceedance / undercut
- zero key for the triggering of Hold, Tara or sensor alignment
- standard digital input for Hold, Tara or sensor alignment
- flexible alarm system with adjustable delay times
- mathematical functions like reciprocal value, square root, square and rounding
- sliding averaging
- brightness control via parameter or front keys
- programming interlock via access code
- protection class IP65 at the front
- plug-in screw terminal
- optional: 2 or 4 relay outputs or 8 PhotoMos-outputs
- optional: 1 or 2 independently scalable analog outputs
- optional: interface RS232 or RS485
- accessories: pc-based configuration-kit PM-TOOL with CD & USB adapter
- on demand: devices for working temperatures of -20°C...60°C or -40°C...70°C

• **Weighing technology**



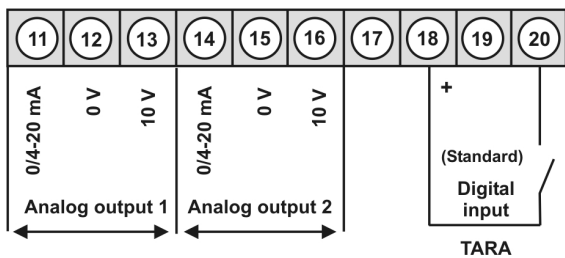
Supply 100-240 VAC, DC ±10%

**IM3-1WR5B.020X.S70xD 301.80**

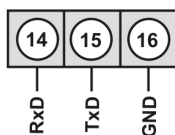
Supply 10-40 VDC, 18-30 VAC

**IM3-1WR5B.020X.W70xD 323.00**

Options:

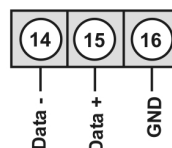


alternative to analog output 2



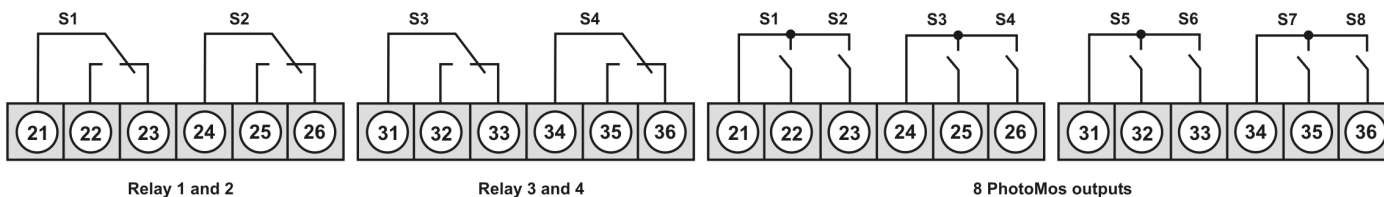
Interface RS232  
(Modbus protocol)

or



Interface RS485  
(Modbus protocol)

TARA



• **Order key options**

IM	3-	1	W	R	5	B.	0	2	0	X.	S	7	0	x	D
IM	3-	1	W	R	5	B.	0	2	0	X.	W	7	0	x	D

**EUR**

2	2 relay outputs	35.00
4	4 relay outputs	69.90
8	8 PhotoMos-outputs	95.30
1	without keypad, operation via PM-TOOL	10.60
X	Analog output 0/4-20 mA, 0-10 VDC galv. isolated	127.10
Y	2 analog outputs galv. isolated	254.20
3	Interface RS232 galv. isolated	58.30
4	Interface RS485 galv. isolated	58.30
B	Blue	46.60
G	Green	10.10
Y	Orange	10.10
T	Tricolour (Red-Green-Orange)	31.80

On demand state dimension unit on order, e.g. kg.

• **Parameterisation software**

PC based configuration software PM-Tool for devices without keypad, for a simple adjustment of standard devices, incl. CD & USB-adapter. Programming happens via an interface on the back.

**ORDER NUMBER**

**EUR**

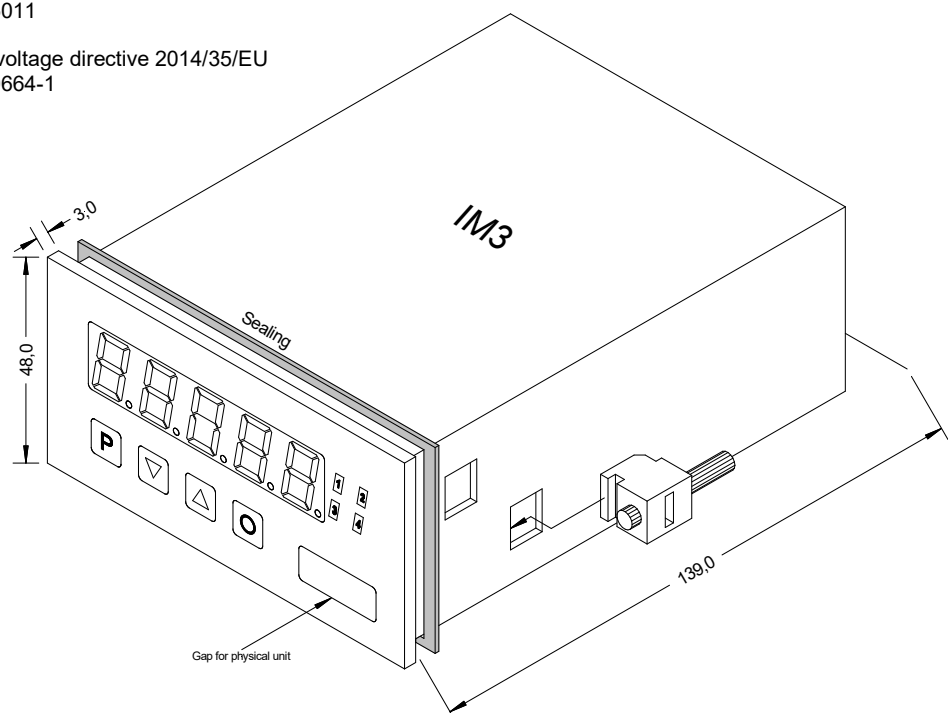
**PM-TOOL-MUSB4**

**94.30**

## • Technical data

<b>Dimensions</b>	Housing	B96 x H48 x D120 mm, (incl. plug-in terminal D = 139 mm)
	Panel cut-out	92.0 <sup>+0.8</sup> x 45.0 <sup>+0.6</sup> mm
	Fixing	screw elements for insulation thickness up to 15 mm
	Housing material	PC Polycarbonate, black
	Sealing material	EPDM, 65 Shore, black
	Protection type	front side IP65 standard, back side IP00
	Weight	approx. 350 g
	Connection	plug-in terminal; line cross-section up to 2.5 mm <sup>2</sup>
<b>Display</b>	Display	5-digit
	Digit height	14 mm
	Segment colour	red (standard), optional available in green, blue, orange or tricolour (red/green/orange)
	Range of display	-19999 to 99999
	Threshold	optical display flashing
	Overflow	horizontal bars at the top
	Underflow	horizontal bars at the bottom
	Display time	0.1 to 10.0 seconds
<b>Measuring input</b>	Sensor sensitivity	1 mV/V, 2 mV/V, 3.3 mV/V, free to 4 mV/V with Tara
	Sensor alignment	always required
	Measuring fault	0.2% of measuring range in controlled electromagnetic environment 1 % of measuring range in industrial environment with a strong disturbing source
	Drift of temperature	100 ppm/K
	Measuring time	0.1 ... 10.0 seconds
	Measuring principle	U/F-converter
	Resolution	approx. 18 bit at 1 second measuring time, 3.3 mV/V of measuring range
<b>Output</b>	Relay	with change-over contact 250 V / 5 AAC, 30 V / 5 ADC
	Switching cycle	30 * 10 <sup>3</sup> at 5 AAC, 5 ADC ohm resistive burden, 10 * 10 <sup>6</sup> mechanically Separation in accordance with DIN EN50178 / Specifications in accordance with DIN EN 60255
	PhotoMos output	NOC contacts: 30 VDC/AC, 4 A
	Analog output	0-10 VDC / burden ≥ 10 kΩ, 0/4-20 mA / burden ≤ 500 Ω, 16 bit
	Bridge supply	10 VDC / 2-40 mA / 300-5000 Ω
<b>Digital input</b>	Input galv. isolated	< 2.4 V OFF; >10 V ON; max. 30 VDC, R <sub>i</sub> ~ 5 kΩ
<b>Interface</b>	Protocol	manufacturer's specifics ASCII
	RS232	9.600 Baud, no parity, 8 DataBit, 1 StopBit, wire length max. 3 m
	RS485	9.600 Baud, no parity, 8 DataBit, 1 StopBit, wire length max. 1000 m
<b>Power pack</b>	Supply	100-240 VAC 50/60 Hz ±10% (max. 15 VA) 10-40 VDC, galvanic isolated, 18-30 VAC 50/60 Hz (max. 15 VA)
<b>Memory</b>	EEPROM	Data life ≥ 100 years at 25°C
<b>Ambient conditions</b>	Working temperature	0 to + 60°C
	Storing temperature	-20 to + 80°C
	Climatic density	relative humidity 0-85% on years average without dew
<b>CE-sign</b>	Conformity to directive 2014/30/EU	
<b>EMV</b>	EN 61326, EN 55011	
<b>Safety standard</b>	according to low voltage directive 2014/35/EU EN 61010; EN 60664-1	

### Housing:



• Order key

	IM	3-	1	W	R	5	B.	0	2	0	X.	S	7	0	x	D	
<b>Basic type M-Line</b>																	
<b>Installation depth</b> 139 mm (incl. plug-in terminal)																	<b>Dimension</b> D physical unit (at buyer's option)
<b>Housing size</b> 96x48x120 mm (BxHxD)																	<b>Version</b> x internal version
<b>Display type</b> Weighing technology																	<b>Switching points</b> 0 no switching point 2 2 relay outputs 4 4 relay outputs 8 8 PhotoMos-outputs
<b>Display colours</b> Blue Green Red Red/Green/Orange Orange																	<b>Protection class</b> 1 without keypad, via PM-TOOL 7 IP65 / plug-in terminal
<b>Number of digits</b> 5-digit																	<b>Voltage supply</b> S 100-240 VAC W 10-40 VDC galv. isolated
<b>Digit height</b> 14 mm																	<b>Measuring input</b> X 1.1 to 3.3 mV/V
<b>Digital input</b> without Interface RS232 Interface RS485																	<b>Analog output</b> 0 without X 1x 0-10 VDC, 0/4-20 mA Y 2x 0-10 VDC, 0/4-20 mA
																	<b>Bridge supply</b> 2 10 VDC / 20-40 mA (incl. digital input)