



IMB3 – 3-digit digital panel meter in 96x24mm with bargraph Direct voltage/direct current signals 300 VDC, 1 ADC

- red 3-digit digital display -199...999 Digits (optional green display)
- 30-points-bargraph tricolour
- adjustable bargraph or dot operation or operation with permanent display of the midpoint
- installation depth: 120 mm without plug-in screw terminal
- multi voltage power supply units 100-240 VAC
- display adjustment via factory setting or directly via sensor signal
- min/max-memory with adjustable permanent display
- 30 additional adjustable support points
- display flashing at threshold value exceedance/undercut
- zero key for the triggering of Hold, Tara, display change, setpoint setting, alarm actuation
- flexible alarm system with adjustable delay times
- volume metering (Totaliser)
- mathematic functions like reciprocal value, root extraction, squaring and rounding
- sliding averaging
- programming interlock via access code
- protection class IP65 at the front
- plug-in screw terminal
- optional: 1 or 2 relay outputs
- optional: 1 independently scalable analog output
- accessories: PC-based configuration-kit PM-TOOL with CD & USB-adapter
- on demand: devices for working temperatures of -25°...60°C

ORDER NUMBER
(without options)

EUR

• **Direct voltage, direct current**

Supply 100-240 VAC
DC ± 10%

horizontal

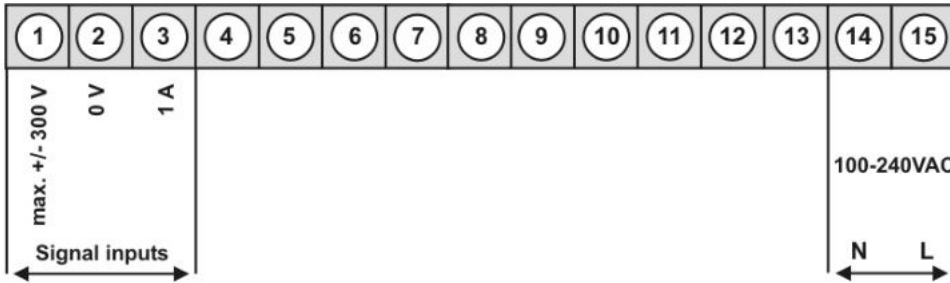
IMB3-3VT3HR.0H01.S70BD

290,00

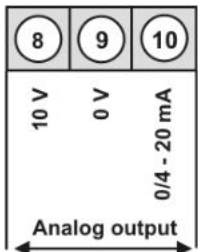
vertical

IMB3-3VT3VR.0H01.S70BD

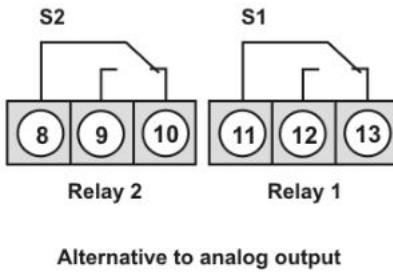
290,00



Options:



or



Alternative to analog output

• **Product key options**

IM	B	3-	3	V	T	3	H	R.	0	H	0	1.	S	7	0	B	D
IM	B	3-	3	V	T	3	V	R.	0	H	0	1.	S	7	0	B	D

EUR

1	1 relay output (with option analog output, only one switching point is possible)	30,00
2	2 relay outputs	30,00
X	Analog output 0/4-20 mA, 0-10 VDC	90,00
G	8 mm green display	10,00

Please state physical unit in order, e.g. %.

ORDER NUMBER

EUR

• **Parameterisation software**

Parameterisation software PM-TOOL, for devices without keypad, for a simple adjustment of standard devices, incl. CD & USB-adapter. Programming happens via an interface on the back.

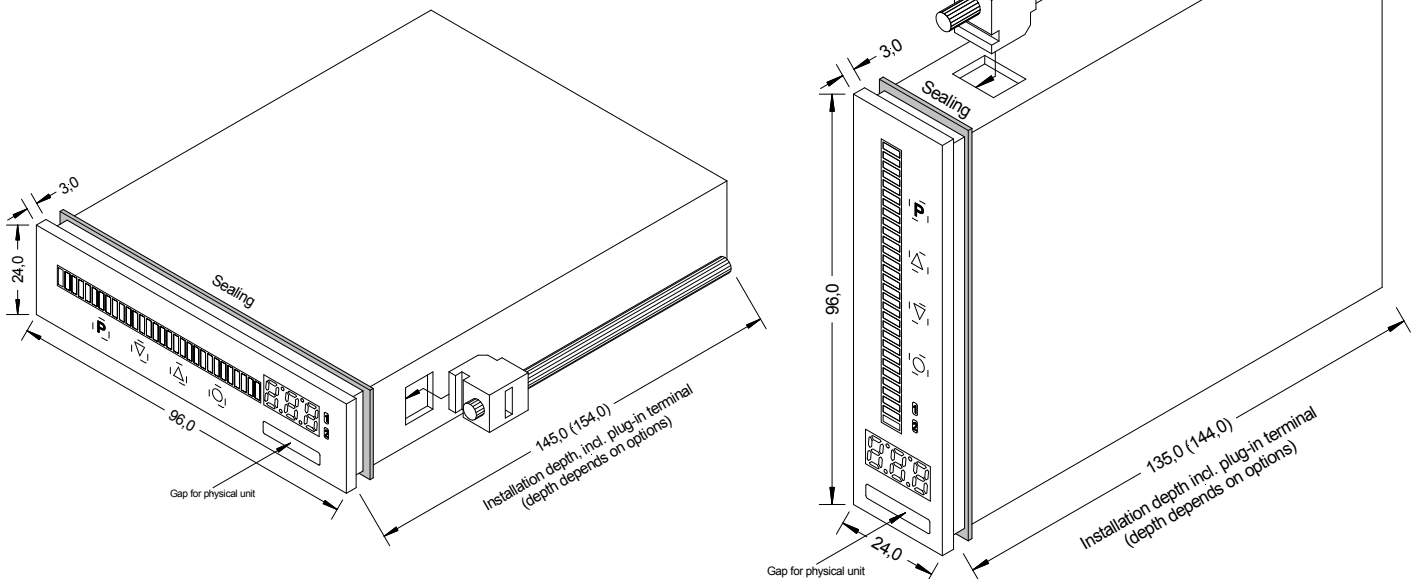
PM-Tool-MUSB4

89,00

• **Technical data**

Dimensions	Housing Panel cut-out Fixing Housing material Sealing material Protection class Weight Connection	B96 x H24 x T120 mm (T=144 mm incl. plug-in terminal) 92.0 ^{+0.8} x 22.0 ^{+0.3} mm screw elements for a wall thickness of up to 3 mm PC Polycarbonate, colour black UL94V-0 EPDM, 65 Shore IP65 standard at the front, IP00 at the back approx. 200 g plug-in terminal; wire cross section up to 2.5 mm ²
Display	Display Display Bargraph Segment colour Overflow Underflow Display time	3-digit, 8 mm high -199...999 30 digit, tricolour red, optional green flashing of the two upper bargraph elements flashing of the two lower bargraph elements 0.01...10.0 seconds
Measuring input	Measuring span Measuring range Input resistance Measuring error Temperature drift Measuring time Measuring principle Resolution	-300...300 VDC / -1...1 ADC 0... 300 VDC / 0...1 ADC Ri at ~1 MΩ / Ri at ~0,2 Ω 0.5% of final value, ± 1 digit 100 ppm/K 0.1...10.0 seconds U/F-converter approx. 18 bit at 1 second measuring time
Output	Relay Switching cycle Analog output Sensor supply	with change-over contact 250 V / 2 AAC, 30 V / 2 ADC 30 * 10 ³ at 2 AAC, 2 ADC ohm resistive load, 10 * 10 ⁶ mechanically Separation according to DIN EN50178 / Specific values according to DIN EN 60255 0-10 VDC / burden ≥ 10 kΩ, 0/4-20 mA / burden ≤ 500 Ω, 16 Bit 24 VDC / 50 mA 10 VDC / 20 mA
Digital input	Input	< 2.4 V OFF; 10 V ON; max. 30 VDC R _I ~ 5 kΩ
Interface	Protocol RS232 Wire length RS485 Wire length	manufacturer-specific ASCII 9.600 baud, no parity, 8 dataBit, 1 stopBit max. 3 m 9.600 baud, no parity, 8 dataBit, 1 stopBit max. 1000 m
Power pack	Supply	100-240 VAC 50/60 Hz / DC ±10 % (max. 10 VA)
Memory	EEPROM	Data life ≥ 100 years at 25°C
Ambient conditions	Working temperature Storing temperature Climatic density	0°C to +50°C -20°C to +80°C relative humidity 0-85% on years average without dew
CE-marking EMV Safety standard	Conformity according to directive 2014/30/EU EN 61326, EN 55011 according to directive 2014/35/EU; EN 61010; EN 60664-1	

Housing:



• Order key

	IM	B	3-	3	V	T	3	H	R.	0	H	0	1.	S	7	2	B	D	
Standard type M-Line																			Dimension
Bargraph display		B																	D Physical unit (free choice)
Installation depth																			Version
144 mm (incl. plug-in terminal)				3															B B
Housing size																			Switching points
B96xH24xD120 mm					3														0 no switching point
Display type																			1 1 switching point
V, A					V														2 2 switching points
Bargraph colours																			Protection class
Tricolour (red, green, orange)						T													1 Without keypad, operation on the back
Resolution																			7 IP65 / plug-in terminal
30 points																			Supply voltage
Adjustment																			S 100-240 VAC
horizontal																			Measuring input
vertical																			1 Direct voltage, direct current
Digital display																			Analog output
3-digit, 8mm, green																			0 none
3-digit, 8mm, red																			X 0-10 VDC, 0/4-20 mA
Digital input																			Special measuring inputs H
none																			H 300 VDC, 1 ADC