

**Labom**

**Diaphragm seal  
in pulp industry  
Type series DD8010**



**Features**

- Flush-mounted separating diaphragm of stainless steel or special material
- Volume optimised diaphragm base
- Loose clamping flange
- System fillings for different applications
- Measuring device connection:
  - directly welded
  - directly screwed
  - with temperature decoupler
  - with capillary

**Options**

- Certificates
  - Material certificate acc. to EN 10204-3.1
- Special materials upon request

**Application**

Suitable for mounting to bourdon tube pressure gauges and pressure transmitters.

**Application area**

- Machinery construction
- Pulp industry
- General process technology

## Technical data

### Constructional design

Basic body:	Volume reduced diaphragm base Material: stainless steel mat.-no. 1.4404/1.4435 (316L)
Clamping flange:	Material: Stainless steel mat.-no. 1.4301 (304)
Diaphragm:	Flat diaphragm
Material wetted parts:	Diaphragm: Stainless steel mat.-no. 1.4435 (316L) Further materials upon request  Basic body: Stainless steel mat.-no. 1.4404/1.4435 (316L)

### Process connection

Design:	Extended diaphragm with loose clamping flange
Nominal width:	DN 48
Nominal pres- sure:	PN 40

Sealing are not included in the scope of delivery.

### Measuring device connection

See order details.  
Material stainless steel mat.-no. 1.4301 (304)

### System filling

See order details; further upon request.  
Further details about pressure transmission fluids see general technical information TA\_038.

### Temperature error

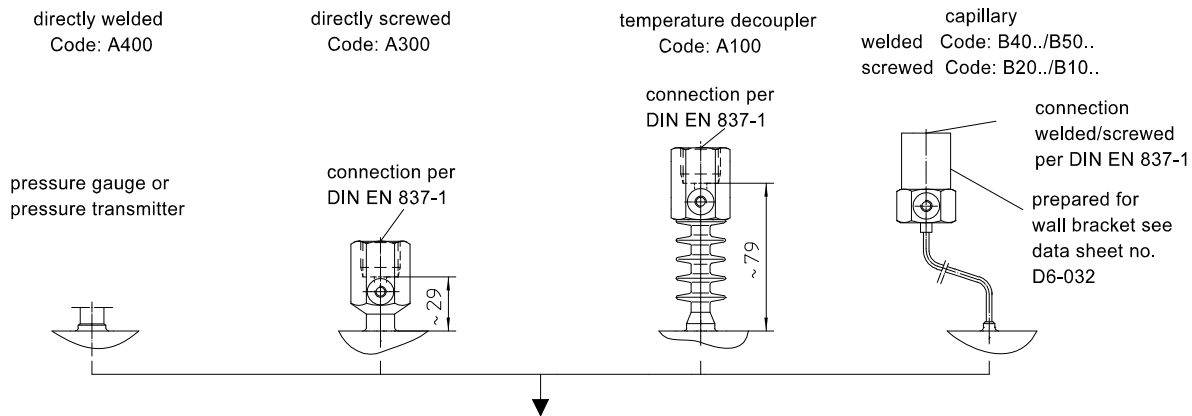
In order to optimise the system we provide a detailed error calculation upon request.

### Weight

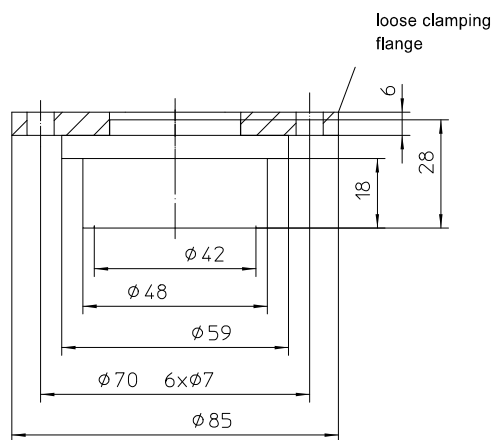
With measuring device connection G1/2 approx. 2.4 kg

**Further information about diaphragm seals see general technical information TA\_031.**

## Measuring device connection



## Dimensions



## Order details

### Diaphragm seal, pulp industry Type series DD8010

Order details diaphragm seal DD8010				
DD8010	design	extended diaphragm with loose clamping flange, DN 48		
G1	material wetted parts	stainless steel mat.-no. 1.4404/1.4435 (316L), standard		
G2		diaphragm: Tantal, basic body: stainless steel mat.-no. 1.4404 (316L)		
G3		diaphragm: Hastelloy C276, basic body: stainless steel mat.-no. 1.4404 (316L)		
G9		variant		
A400	measuring device connection	directly	welded	
A300			screwed G1/2	
A100		with temperature decoupler	screwed G1/2	
B40 ..		with capillary	welded	
B20 ..			screwed G1/2	
B50 ..		with capillary and stainless steel protective tube	welded	
B10 ..			screwed G1/2	
11		capillary length	1 m	
12			1.6 m	
13			2.5 m	
14			4 m	
21			5 m	
15			6 m	
23			7 m	
16			8 m	
17			10 m	
9	others			
	system filling <sup>1</sup>	<u>pressure transmission fluid</u>	<u>temperature range</u> <sup>2</sup>	
L22		synthetic oil, free of silicone FD1, standard	-10...140 °C	
L23		synthetic oil, free of silicone FD1, pls. specify max. temperature	-40...230 °C	
L31		high temperature oil FV3H	-10...400 °C	

#### Additional features ( to be indicated in case of need, only)

W1020	material certificate per EN 10204-3.1, wetted parts
-------	---

Order code (example): DD8010 - G1 - A400 - L22 - ...

<sup>1</sup> for more detailed information about pressure transmission fluids see TA\_038.  
Please state temperature range to allow an accurate calculation of the system.

<sup>2</sup> max. media temperature for pressures > 0 bar rel.