

**Labom**

## Diaphragm seal for homogenizers Type series DD8020



### Application area

- Food industry
- Pharmaceutical industry
- Biotechnology

### Features

- Flush-mounted separating diaphragm of stainless steel
- Nominal pressure PN 600 and PN 1000
- Clamping flange, adjustable
- Volume optimised diaphragm base
- System fillings for different applications
- Measuring device connection:
  - directly welded
  - directly screwed
  - with capillary

### Options

- Certificates
  - Material certificate acc. to EN 10204-3.1

### Application

Suitable for mounting to bourdon tube pressure gauges and pressure transmitters. The diaphragm seal is used for high pressure applications and for high viscous media.

## Technical data

### Constructional design

Basic body:	Volume reduced diaphragm base Material: stainless steel mat.-no. 1.4404/1.4435 (316L)
Clamping flange:	Material: Stainless steel mat.-no. 1.4301 (304)
Diaphragm:	Flat diaphragm
Material wetted parts:	Diaphragm: Stainless steel mat.-no. 1.4435 (316L) Further materials upon request  Basic body: Stainless steel mat.-no. 1.4404/1.4435 (316L)

### Process connection

Design:	Clamping flange adjustable
Nominal pres- sure:	PN 600 and PN 1000

#### Special design:

A delivery without clamping flange is possible.

Sealing are not included in the scope of delivery.

### Measuring device connection

See order details.  
Material stainless steel mat.-no. 1.4301 (304)

### System filling

See order details; further upon request.  
Further details about pressure transmission fluids see general technical information TA\_038.

### Temperature error

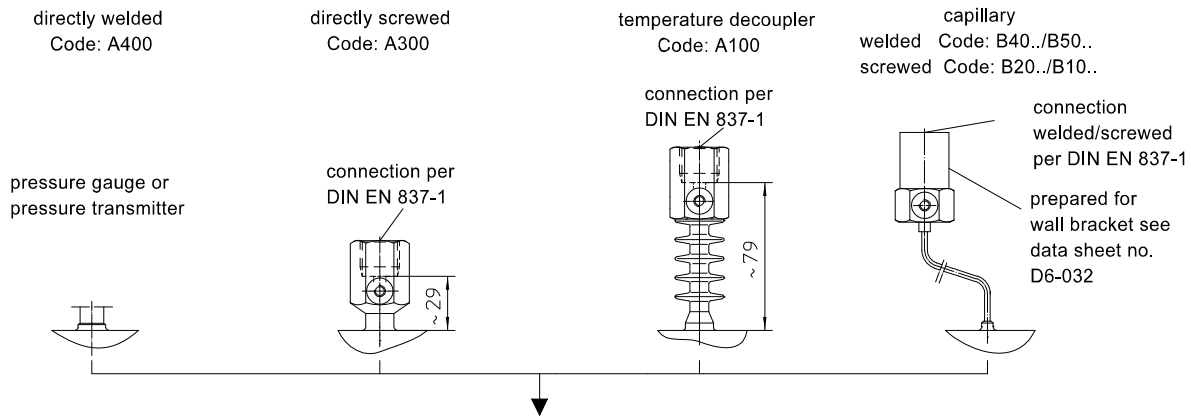
In order to optimise the system we provide a detailed error calculation upon request.

### Weight

With measuring device connection G1/2 approx. 1.1 kg

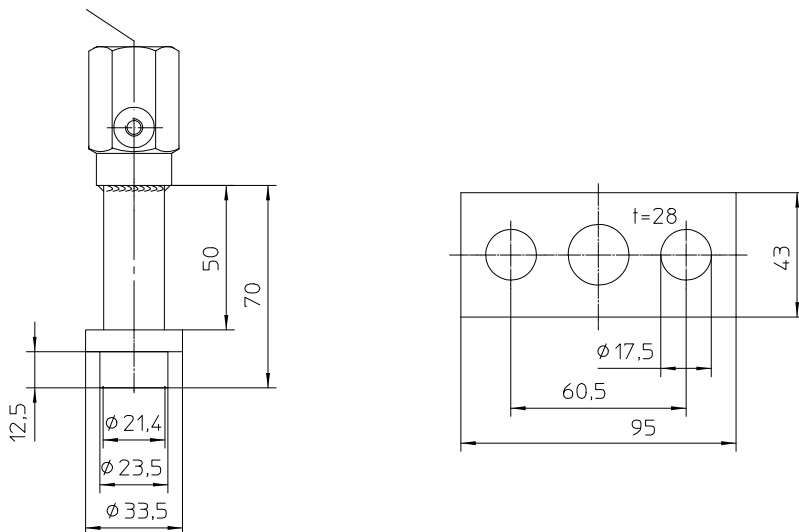
**Further information about diaphragm seals see general technical information TA\_031.**

## Measuring device connection



## Dimensions

connection G1/2  
per DIN EN 834-1



## Order details

### Diaphragm seal for homogenizers Type series DD8020

#### Order details diaphragm seal DD8020

<b>DD8020</b>	diaphragm seal for homogenizers		
<b>G1</b>	wetted parts	stainless steel mat.-no. 1.4404/1.4435 (316L)	
<b>G9</b>		variant	
<b>K1</b>	connection	clamping flange adjustable, material stainless steel	PN 600, standard
<b>K3</b>			PN 1000
<b>K2</b>		without clamping flange	
<b>A100</b>	measuring device connection	with temperature decoupler	screwed G1/2
<b>A400</b>		directly	welded
<b>A300</b>			screwed G1/2
<b>B40 ..</b>		with capillary	welded
<b>B20 ..</b>			screwed G1/2
<b>B50 ..</b>		with capillary and stainless steel protective tube	welded
<b>B10 ..</b>			screwed G1/2
<b>11</b>			1 m
<b>12</b>		1.6 m	
<b>13</b>		2.5 m	
<b>14</b>		4 m	
<b>21</b>		5 m	
<b>15</b>		6 m	
<b>23</b>	7 m		
<b>16</b>	8 m		
<b>17</b>	10 m		
<b>9</b>	capillary length	others	
	system filling <sup>1</sup>	<u>pressure transmission fluid</u>	<u>temperature range</u> <sup>2</sup>
<b>L22</b>		synthetic oil, free of silicone FD1, standard	-10...140 °C
<b>L23</b>		synthetic oil, free of silicone FD1, pls. specify max. temperature	-40...230 °C
<b>L15</b>		glycerine/water FGW	-30...110 °C

#### Additional features ( to be indicated in case of need, only)

<b>W1020</b>	material certificate per EN 10204-3.1, wetted parts
--------------	---

Order code (example): DD8020 - G1 - K1 - A400 - L22 - ...

<sup>1</sup> for more detailed information about pressure transmission fluids see TA\_038.  
Please state temperature range to allow an accurate calculation of the system.

<sup>2</sup> max. media temperature for pressures > 0 bar rel.