

Diaphragm seal made of plastic Type series DD8040



Features

- Compact design made of plastic
- No metal parts
- EPDM diaphragm, wetted parts coated with PTFE
- Various process and device connections

Application

The diaphragm seal is suitable for mounting to bourdon tube pressure gauges and pressure transmitters. It is used for the measurement of neutral and aggressive fluids free of solid particles.

Application area

- Wastewater technology
- Semiconductor industry
- Electroplating technology
- Chemical plant engineering

Technical data

Constructional design

- Body material: All-plastic
- Upper section made of:
- PP (polypropylene), glass fibre reinforced, colour orange (RAL 2004)
- Lower section made of:
- PVC-U (polyvinylchloride), colour grey (RAL 7011)
 - PP (polypropylene), colour grey-beige (RAL 7032)
 - PVDF (polyvinylidenflouride), colour opaque, yellowish-white
- Nominal pressure: PN 10 (water 20°C)
- Diaphragm: Flat diaphragm

Process connection

- Design: ■ G 1/2" female thread
(lower section) ■ G 1/4" female thread

Measuring device connection

- Design: ■ G 1/2" female thread
(upper part) ■ G 1/4" female thread

System filling

See order details; further upon request.
Further details about pressure transmission fluids see general technical information TA_038.

Operating temperature

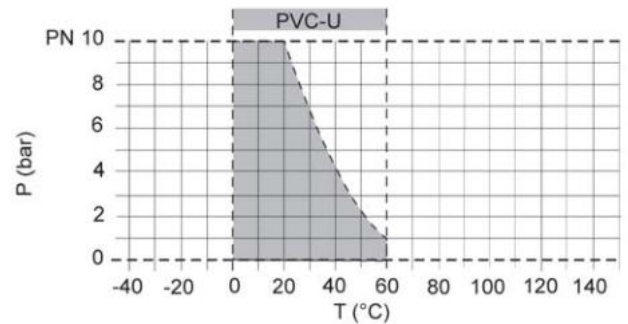
Operating temperature see following diagrams. Deviating temperatures upon request.

Temperature error

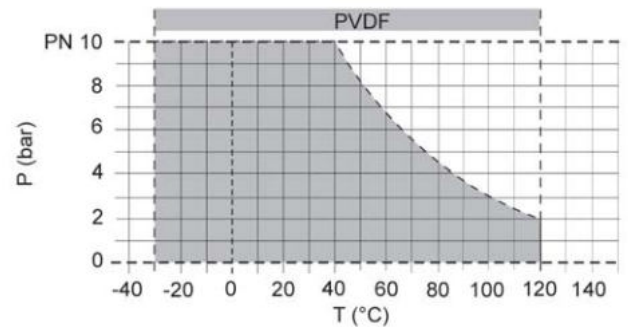
In order to optimise the system we provide a detailed error calculation upon request.

Media temperature and working pressure

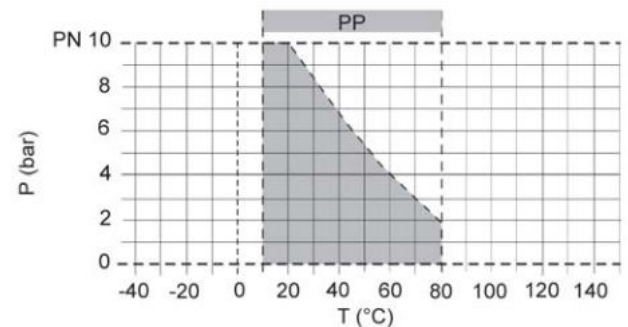
Material: PVC-U



Material: PVDF

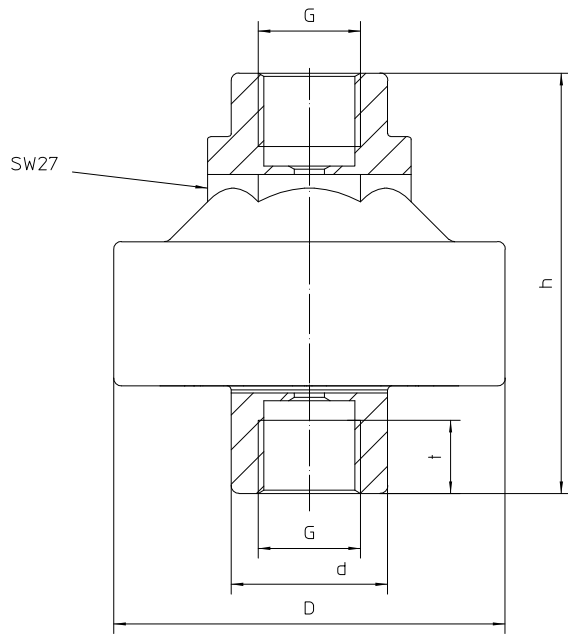


Material: PP



Further information about diaphragm seals see general technical information TA_031.

Dimensions



DN	G	D	d	t	h
20	1/4"	80	25	18	86
25	1/2"	80	32	22	86

Order details

Diaphragm seal made of plastic, Type series DD8040

Order details DD8040			
DD8040	design	diaphragm seal made of plastic	
D11	process connection	G 1/2" female thread	
D15		G 1/4" female thread	
K20	material wetted parts (lower section)	process connection	PP (polypropylene)
K21			PVC-U (polyvinylchloride)
K22		PVDF (polyvinylidenfluoride)	
G70		diaphragm	PTFE (EPDM diaphragm, PTFE coated)
A300	measuring device connection	directly screwed G1/2" female thread	
A301		directly screwed G1/4" female thread ¹	
L22	pressure transmission fluid	synthetic oil, free of silicone	

order code (example): DD8040 –D11 – K20 – G70 –A300 – L22

¹ only possible with process connection G 1/4"