

Technical data

Type	IVMZ 030	IVMZ 081	IVMZ 082	IVMZ 153	IVMZ 204	IVMZ 205	IVMZ 256
Characteristics							
Nominal diameter	DN 3	DN 8	DN 8	DN 15	DN 20	DN 20	DN 25
Process connection	G $\frac{3}{8}$ B male	G $\frac{1}{2}$ B male	G $\frac{1}{2}$ B male	G $\frac{3}{4}$ B male	G 1 B male	G 1 B male	G 1 $\frac{1}{4}$ B male
Flow range	0.1...2 l/min	0.25...5 l/min	1...20 l/min	2.5...50 l/min	5...100 l/min	10...200 l/min	12.5...250 l/min
Accuracy*	1 % of reading						
Repeatability	1 %						
Response time	<100 ms						
Signal output starting from	0.05 l/min	0.1 l/min	0.25 l/min	1 l/min	2 l/min	4 l/min	5 l/min
Max. Flow rate	2,5 l/min	6 l/min	25 l/min	60 l/min	120 l/min	240 l/min	300 l/min
Medium / min. conductivity of medium	Water and other conductive liquids / 20 μ S/cm						
Medium temperature	-10...60 °C (non-freezing)						
Ambient temperature	5...60 °C						
Max. pressure rating	10 bar at 20 °C, 8 bar at 40 °C, 6 bar at 60 °C						
Indications	Red LED = power, green LED = flow rate						
Degree of protection EN 60529	IP65 (with attached cable socket)						
Output signals							
→ Puls rate**	10 000 pulses/l	4000 pulses/l	1000 pulses/l	400 pulses/l	200 pulses/l	100 pulses/l	80 pulses/l
→ Resolution**	0.1 ml/Puls	0.25 ml/Puls	1 ml/Puls	2.5 ml/Puls	5 ml/Puls	10 ml/Puls	12.5 ml/Puls
→ Signal shape	Frequency signal, square wave, can be connected as PNP or NPN open collector pulse duty ratio 50:50						
→ Signal current	Max. 25 mA						
Electrical data							
Electrical connection	4 pin plug connector M12 x 1						
Power supply	24 VDC \pm 15 % or 12 VDC \pm 15 %						
Power consumption	0.6 W						
Electrical protection measures	Short-circuit proof and polarity protection						

* Test conditions: Water 23 °C

** Other pulse rates / resolutions available on request

optional output signal with lower frequency, designed specifically for connection to digital PLC inputs

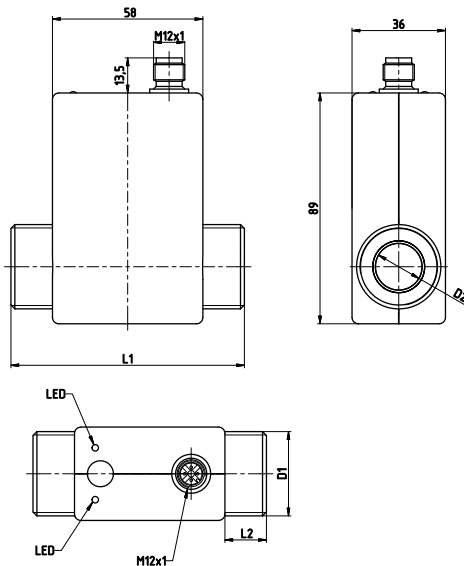
Dimensions and materials



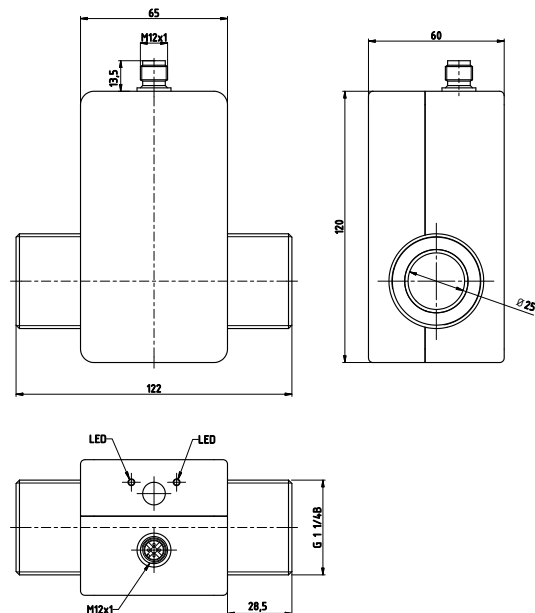
Materials

Electrodes and grounding rings	Stainless steel 316L
Measuring pipe and process connections	POM or PVDF
O-rings	EPDM
Housing	ABS

IVMZ 03/08/15/20

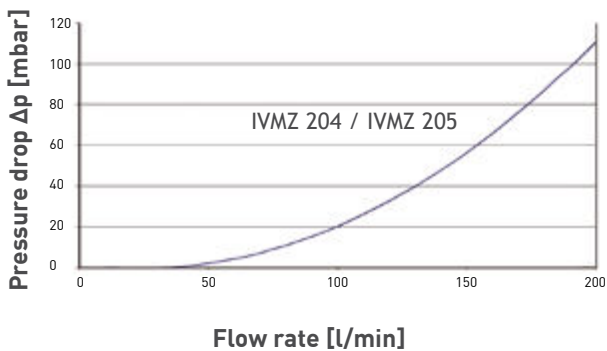
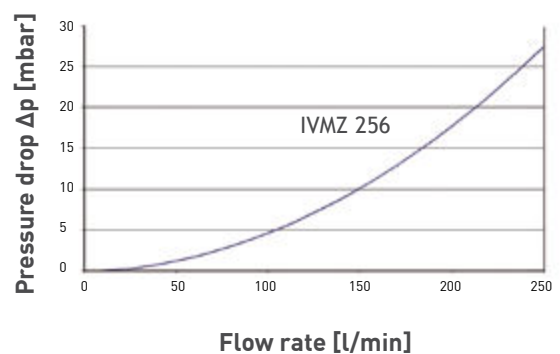
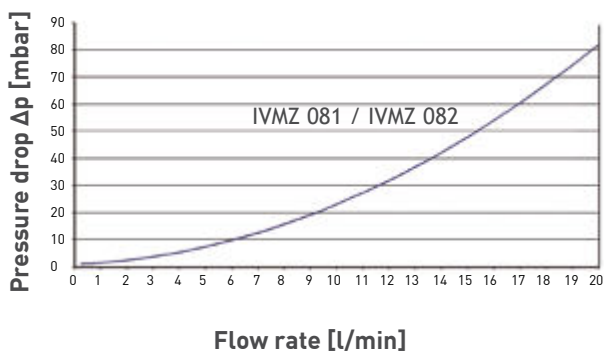
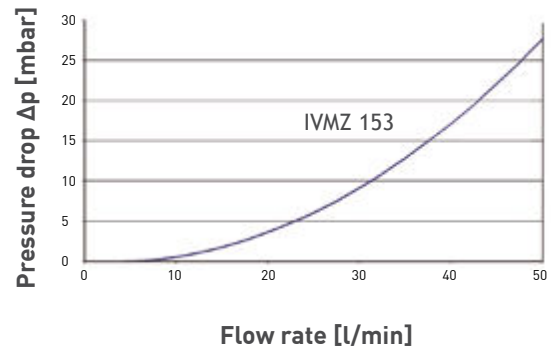
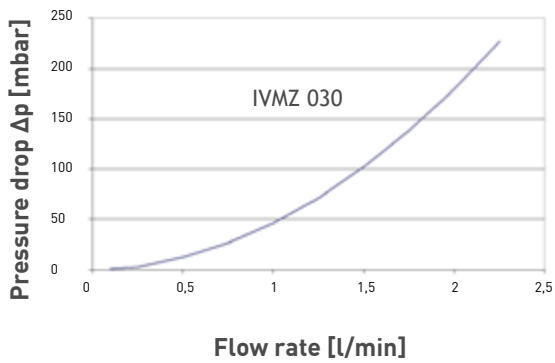


IVMZ 25



Type	L1	L2	D1	D2
IVMZ 030	85	13.3	G $\frac{3}{8}$ B	Ø 3
IVMZ 081	85	13.3	G $\frac{1}{2}$ B	Ø 8
IVMZ 082	85	13.3	G $\frac{1}{2}$ B	Ø 8
IVMZ 153	90	16	G $\frac{3}{4}$ B	Ø 14
IVMZ 204	90	16	G 1 B	Ø 18
IVMZ 205	90	16	G 1 B	Ø 18

Typical pressure drop



Order code and accessories

Order example	IVMZ030S1	DE	G14	211
Flow range				
0,1...2 l/min	IVMZ030S1			211
0.25...5 l/min	IVMZ081S1			310
1...20 l/min	IVMZ082S1			320
2.5...50 l/min	IVMZ153S1			430
5...100 l/min	IVMZ204S1			540
10...200 l/min	IVMZ205S1			550
12.5...250 l/min	IVMZ256S2			660
Measuring pipe				
POM		DE		
PVDF		PE		
Power supply				
12 VDC			G14	
24 VDC			G24	

Accessory part	Length	Order code	
Connection cable with 4-pin cable socket M12 x 1, angle type molded lead, sheathing material PUR, shielded, (T_{max} = 80 °C) - UL-approval	3 m	XVT 2053	
	5 m	XVT 2009	
	10 m	XVT 2070	
4 pin cable socket M12 x 1 angle type, unassembled		VT 1331	