

Nemo SX - Power supply & Connection Equipments

Cat. Nos: SXAR18/24/36, SXAC250/500/1000, SXACA, SXARC, SXAA230

SXAR18
SXAR24
SXAR36



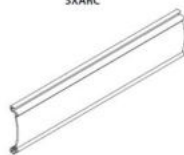
SXAC250
SXAC500
SXAC1000



SXACA



SXARC



SXAA230



Contents	Pages
1. Description - Use	1
2. Range	1
3. Overall dimensions	1
4. Preparation - Connection	2
5. General characteristics	6
6. System architectures	9
6.1 Stand Alone	9
6.1.1 with local addressing	9
6.1.2 with remote addressing	10
6.2 Supervised	11
6.2.1 with local addressing	11
6.2.2 with remote addressing	13
7. Compliance and approvals	15

1. DESCRIPTION - USE

- Equipments: dedicated to Nemo SX System.
- Power supply module: allows the power up and distribution of the supply and of the communications data within the Nemo SX system

2. RANGE

Communicating rails:

- Allow connection of Nemo SX data
- Allow the connection of several Nemo SX modules at the rear through dedicated connectors on the same row.
- Fixed directly on DIN rails of 7,5 mm or 15 mm depth
 - Cat. no SXAR18: 1 rail of 18 DIN modules (315 mm length)
 - Cat. no SXAR24: 1 rail of 24 DIN modules (420 mm length)
 - Cat. no SXAR36: 1 rail of 36 DIN modules (630 mm length)

Communicating patch cords:

- Allow connection of Nemo SX data
- Allow the connexion between several Nemo SX modules at the downstream through dedicated connectors or to connected several communicating rails to one another.
 - Cat. no SXAC250: 10 patch cords of 250 mm length
 - Cat. no SXAC500: 10 patch cords of 500 mm length
 - Cat. no SXAC1000: 5 patch cords of 1000 mm length

Communication patch cords connector:

- Increases the length of communicating patch cords: communicating cords are clipped to either side of the connector.
- Maximum total length allowed for 1 communicating cable cord: **3 meters**
- Cat. n° SXACA

Plastic cover for communicating rails:

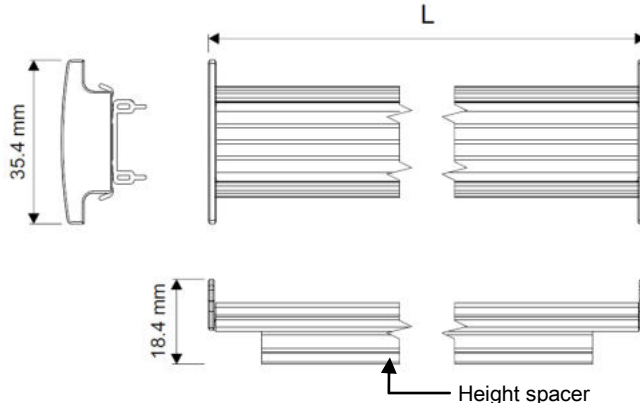
- Protects the unused portion of the communicating rail (**use of plastic cover is mandatory**). To be clip directly on th onto the DIN rail, Can be cut to the required length
- Cat. n° SXARC: 630 mm length

Power Supplier Module:

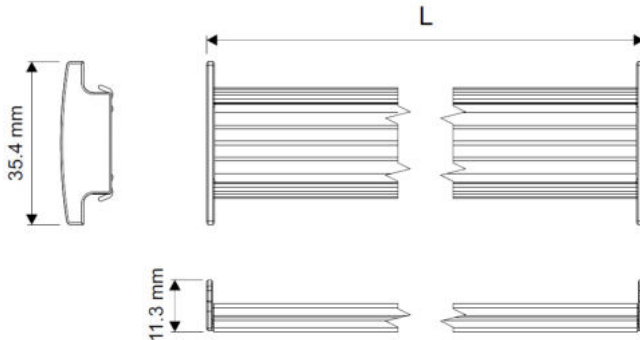
- Delivered with a separation white patch cord
- Supplier.
- Primary voltage 95+250 V~
- Secondary voltage 12 Vd.c. 500 mA
- Cat. n° SXAA230: 1 module (17,8 mm) width

3. OVERALL DIMENSIONS

- Communicating rails with the height spacer for mounting on DIN rails 15 mm depth (**Note:** Cat. no SXAR18 is delivered without the height spacer)



without the height spacer for mounting on DIN rails 7.5 mm depth



Cat. n°	L (mm)
SXAR18 (delivered without the height spacer which is not necessary)	315
SXAR24	420
SXAR36	630

Nemo SX - Power supply & Connection Equipments

Cat. Nos: SXAR18/24/36, SXAC250/500/1000, SXACA, SXARC, SXAA230

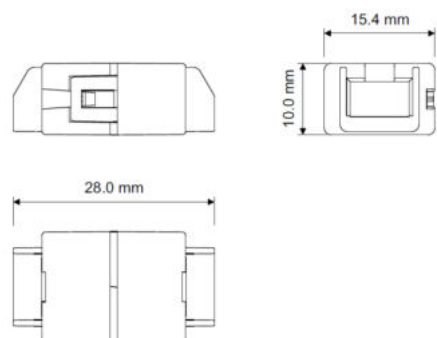
3. OVERALL DIMENSIONS (continued)

. Communicating patch cords

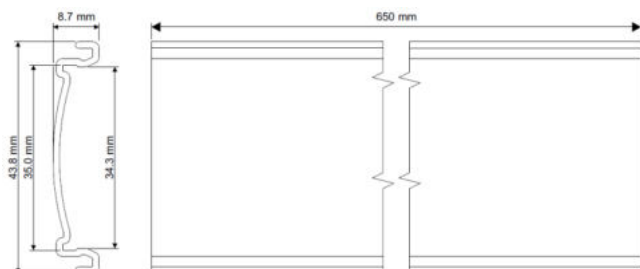


Cat. n°	L (mm)
SXAC250	250
SXAC500	500
SXAC1000	1000

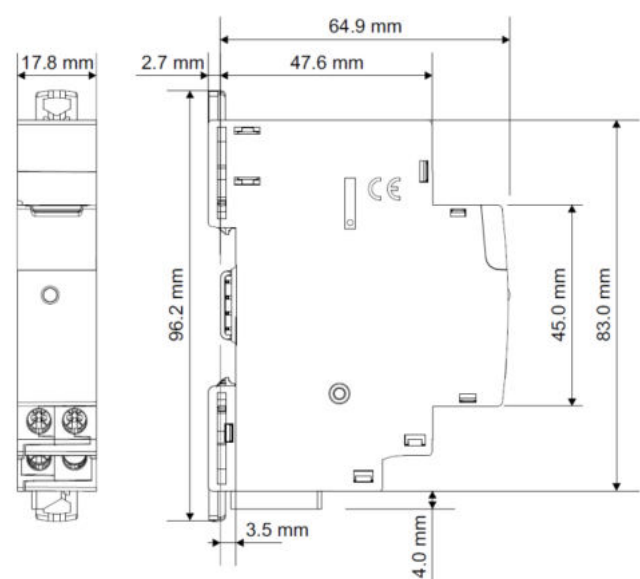
. Communication patch cord connector, cat. n° SXACA:



. Plastic cover for communicating rails, cat. n° SXARC:



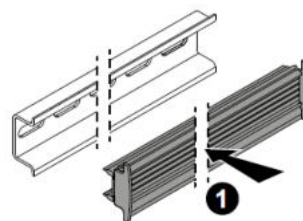
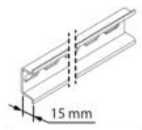
. Power supply module, cat. n° SXAA230:



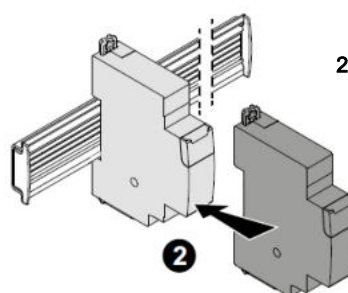
4. PREPARATION –CONNECTION

Assembly of the various elements of the system:

. Communicating rail on a 15 mm depth DIN rail:



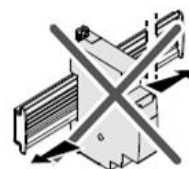
1. Clip the communicating rail on the DIN rail



2. Clip the Nemo SX devices



. Do not slide Nemo SX devices once fixed on the communicating rail



. Do not cut the Nemo SX communicating rail



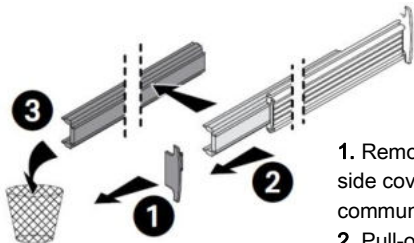
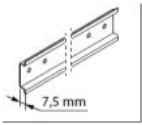
Nemo SX - Power supply & Connection Equipments

Cat. Nos: SXAR18/24/36, SXAC250/500/1000, SXACA, SXARC, SXAA230

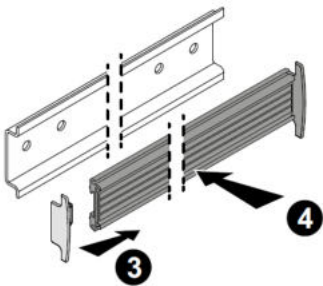
4. PREPARATION –CONNECTION (continued)

Assembly of the various elements of the system (continued):

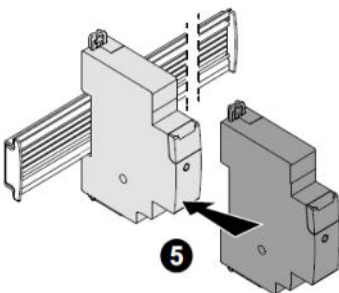
. Communicating rail on a 7.5 mm depth DIN rail:



1. Remove one of the two side covers of the communicating rail
2. Pull-out the height spacer



3. Refit the side cover
4. Clip the communicating rail on the DIN rail



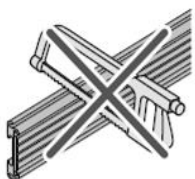
5. Clip the Nemo SX devices



. Do not slide Nemo SX devices once fixed on the communicating rail



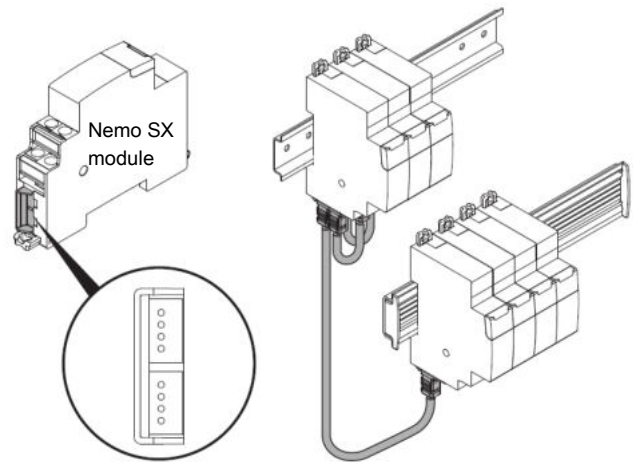
. Do not cut the Nemo SX communicating rail



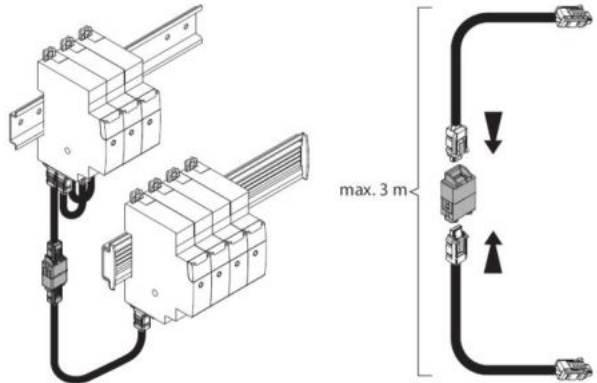
4. PREPARATION –CONNECTION (continued)

Assembly of the various elements of the system (continued):

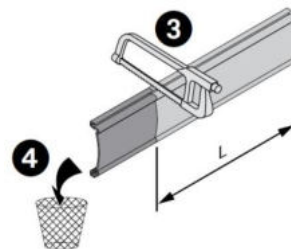
. Communicating patch cords:



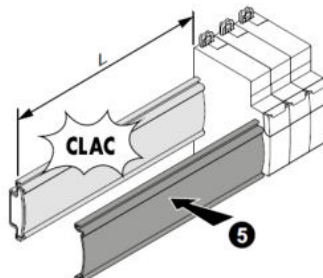
. Communication patch cord connector:



. Plastic cover for communicating rails:



Cut the protection plastic cover to the required length



Clip the protection plastic cover on the remaining exposed part of the communicating rail

Nemo SX - Power supply & Connection Equipments

Cat. Nos: SXAR18/24/36, SXAC250/500/1000, SXACA, SXARC, SXAA230

4. PREPARATION –CONNECTION (continued)

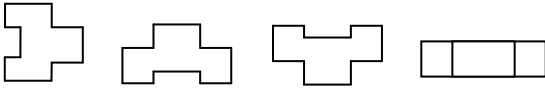
. Power Supply Module

Fixing:

. On symmetric rail EN/IEC 60715 or DIN 35 rail

Operating positions:

. Vertical, Horizontal, Upside down, On the side



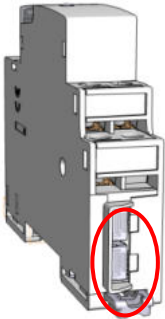
Power Supply:

Primary voltage 95+250 V~

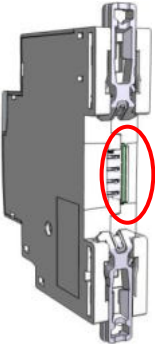
Secondary voltage 12 Vd.c. 500 mA

. Two ways:

via specific communication patch cords (cat. nos SXAC250/500/1000) to connect at the downstream through dedicated ports



via specific communication rails (cat. nos SXAR18/24/36) to connect at the rear through dedicated connectors.



Power supply terminals:

. Terminal depth: 8 mm.

. Stripping length: 8 mm

Power supply screw head:

. Mixed, slotted and Pozidriv n°1 (UNI7596 type Z1).

Recommended tightening torque:

. 1 Nm.

Recommended tools:

. For the terminals: Pozidriv n°1 or flat screwdriver 4 mm.

. For fixing: flat screwdriver 5.5 mm (6 mm maximum).

. For configuration DIP switches: flat screwdriver 2 mm

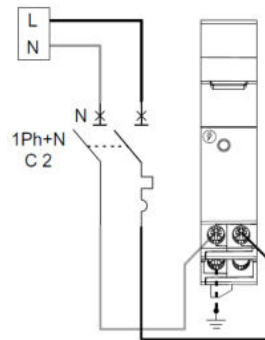
4. PREPARATION –CONNECTION (continued)

Conductor type:

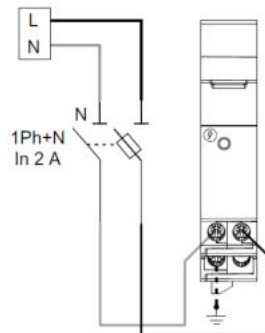
	Copper cable	
	Without ferrule	With ferrule
Rigid Cable	1 x 0,5 mm ² to 1,5 mm ² 2 x 1,5 mm ²	-
Flexible Cable	1 x 0,5 mm ² to 1,5 mm ² 2 x 1,5 mm ²	1 x 0,5 mm ² to 1,5 mm ² 2 x 1,5 mm ²

Wiring diagrams:

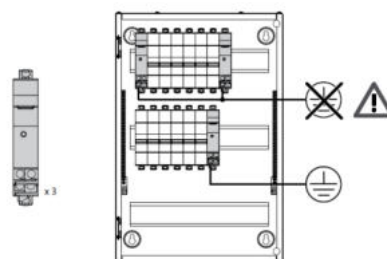
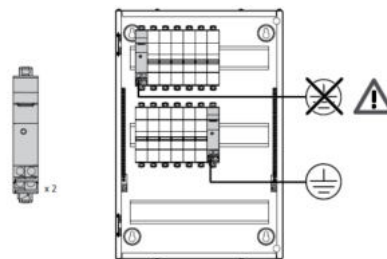
. Power supply protected by an MCB:



. Power supply protected by a Fuse holder:



Note: when there are several power supply in a system, just one of them must be earthed.



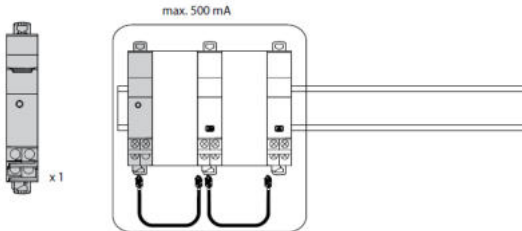
Nemo SX - Power supply & Connection Equipments

Cat. Nos: SXAR18/24/36, SXAC250/500/1000, SXACA, SXARC, SXAA230

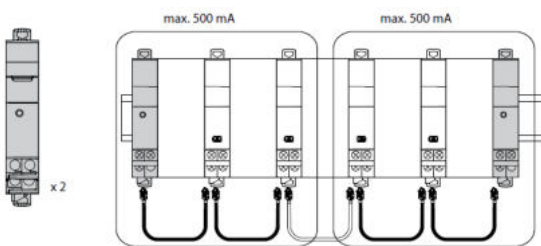
4. PREPARATION –CONNECTION (continued)

Connection with several Power supply modules:

. Each power supply can provide 500 mA of current thus, whenever the absorption of 500 mA is exceeded, it is necessary to add an additional power supply to the system.

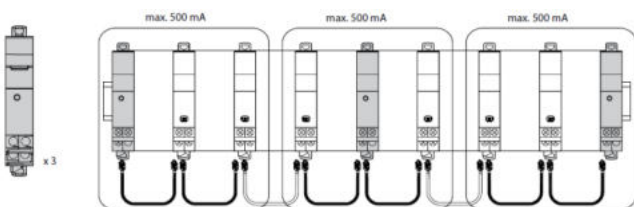


In this case is necessary to separate the two groups of devices with the decoupling white cable (delivered with the Nemo SX Power supply module)



Note: in a system (beneath an Nemo SX/Modbus interface) it is possible to use a maximum of 3 power supply modules = 3 groups of 500 mA.

. in the image below is described the use of the 2 decoupling white cables



Max. Nemo SX modules consumptions @ 12 Vd.c.

Cat n°	Description	W	mA
SXMM63	Single phase Measure mod.	0,409	34,1
SXMT63	Three phase Measure mod.	0,418	34,8
SXMMT5	Measure mod. with CT	0,391	32,6
SXMIMP	Pulse Concentrator	0,288	24,0
SXMC02	Multifunction Signalling mod.	0,377	31,4
SXM0C1	Multifunction Control mod.	0,456	38,0
SXV01	Mini configuration module	0,438	36,5
SXI485	Nemo SX/RS485 interface	0,344	28,7

4. PREPARATION –CONNECTION (continued)

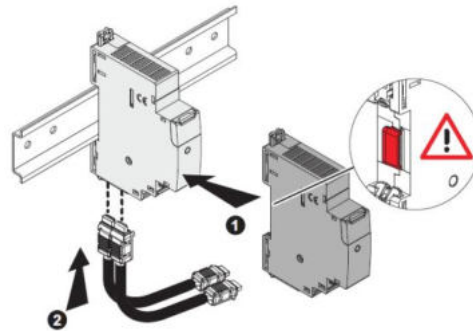
Data connection (Nemo SX modules inter-connection):

. Like all the other Nemo SX module, the Power supply module can be indifferently connected:

. via specific communication patch cords (cat. nos SXAC250/500/1000)



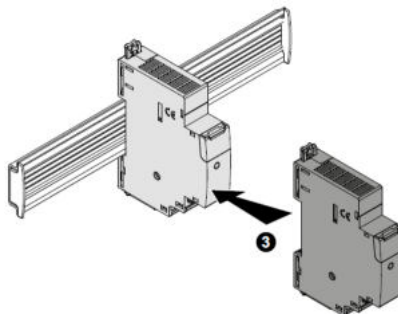
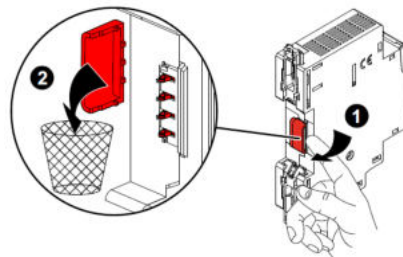
Implementing: with this configuration, the plastic protection cover of the backside communication ports on the Nemo SX module must be kept on.



. Via specific communication rails (cat. nos SXAR18/24/36).



Implementing: with this configuration, the plastic protection cover of the backside communication ports on the Nemo SX module must be removed.



IMPORTANT:

. It is forbidden to put several power supply modules on the same communicating rail.

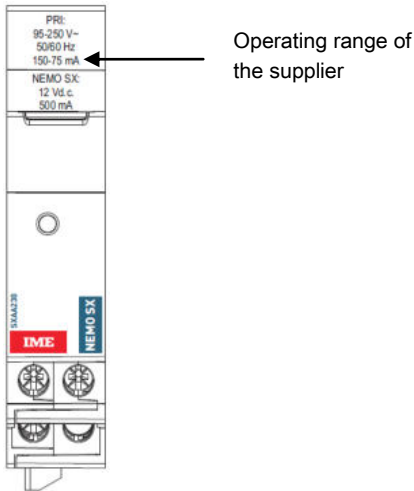
Nemo SX - Power supply & Connection Equipments

Cat. Nos: SXAR18/24/36, SXAC250/500/1000, SXACA, SXARC, SXAA230

5. GENERAL CHARACTERISTICS

Front face marking:

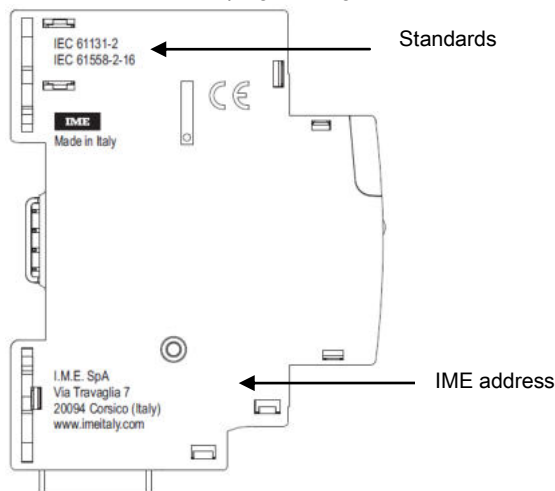
. By permanent ink pad printing and laser marking



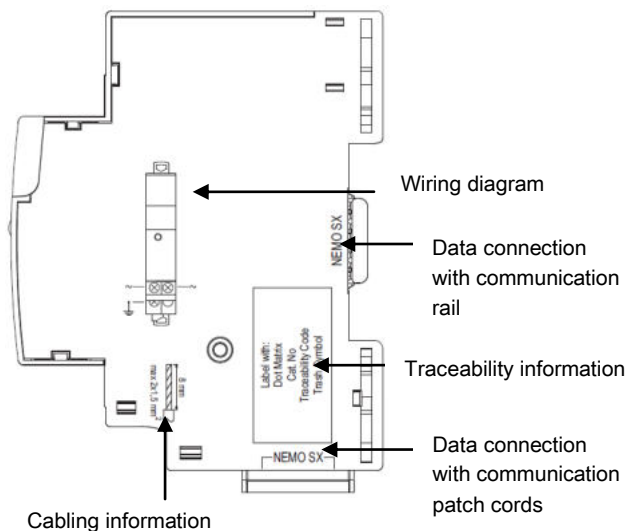
Lateral side marking:

. By laser.

left side: Standard and programming information



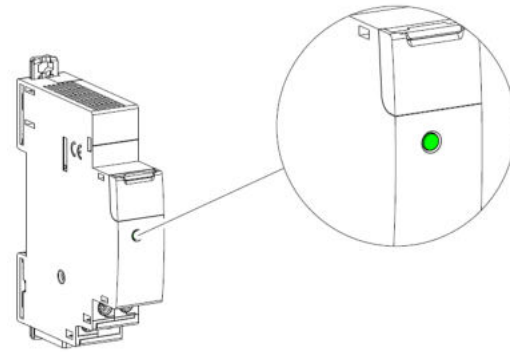
right side: cabling and traceability information



5. GENERAL CHARACTERISTICS (continued)

Frontal Led:

. Indicates the status of operation of the supplier:



- Steady green → system OK
- Steady off → supplier malfunctioning

Supplier operating voltage:

- . Primary side:
 - 95 ÷ 250 V ~
 - 75 ÷ 150 mA
- . Nemo SX side:
 - 12 Vd.c.
 - 500 mA

Rated frequency :

- . 50/60 Hz with standard tolerances.

Insulation voltage:

- . $U_i = 400 \text{ V}$

Impulse withstand voltage U_{imp} :

- . Primary side / Nemo SX ports:
 - wave 1,2 / 50 μs : 6 kV
 - alternate current 50 Hz / 1 min.: 4,4 kV

Pollution degree:

- . 2 according to IEC/EN 60898-1.

Overvoltage category :

- . III

Dielectric strength:

- . 2500 V

Plastic material:

- . Self-extinguishing polycarbonate.
- . Heat and fire resistant according to IEC/EN 60695-2-12, glow-wire test at 960°C.
- . Classification UL 94 / IECEN 60695-11-10: V1

Ambient operating temperature:

- . Min. = -25°C. Max. = +70°C

Ambient storage temperature:

- . Min. = -40°C. Max. = +70°C

Nemo SX - Power supply & Connection Equipments

Cat. Nos: SXAR18/24/36, SXAC250/500/1000, SXACA, SXARC, SXAA230

5. GENERAL CHARACTERISTICS (continued)

Protection Index:

- . Protection index of terminals against direct contacts: IP2X (IEC/EN 60529).
- . Protection index of terminals against solid and liquid bodies (wired device): IP 20 (IEC/EN 60529).
- . Protection index of the front face against solid and liquid bodies: IP 40 (IEC/EN 60529).
- . Class II, front panel with faceplate.

Average weight per device:

	Weight (kg)
Communicating rail 18 modules	0,071
Communicating rail 24 modules	0,095
Communicating rail 36 modules	0,142
Communicating cable 250 mm	0,005
Communicating patch cords 500 mm	0,01
Communicating patch cords 1000 mm	0,018
Communication patch cord connector	0,003
Plastic cover for communicating rail	0,056
Nemo SX Power Supply module	0,069

Volume when packed:

	Volume (dm³)
Communicating rail 18 modules in a bag of 1 piece	0,03
Communicating rail 24 modules in a bag of 1 piece	0,06
Communicating rail 36 modules in a bag of 1 piece	0,09
Communicating cable 250 mm in bag of 10 pieces	0,015
Communicating cable 500 mm in bag of 10 pieces	0,015
Communicating cable 1000 mm in bag of 5 pieces	0,015
Communication patch cord connector in bag of 5 pieces	0,015
Plastic cover for communicating rail in a bag of 1 piece	0,045
Nemo SX Power supply module + decoupling cable (pack per 1)	0,33

5. GENERAL CHARACTERISTICS (continued)

Make your own Nemo SX patch cord:

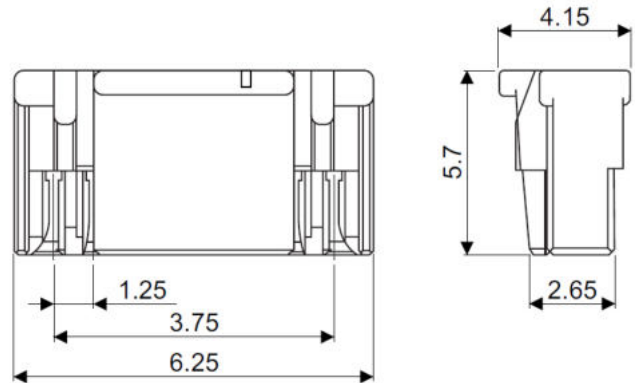
- . It is given the possibility to build your "self-made" cables using, for each cable, following material.

- JST connector:

- Code: GHR-04V
- Quantity: 2
- Characteristics:
 - n° of contacts: 4
 - pitch: 1.25 mm
- . View:



- . Overall dimensions:

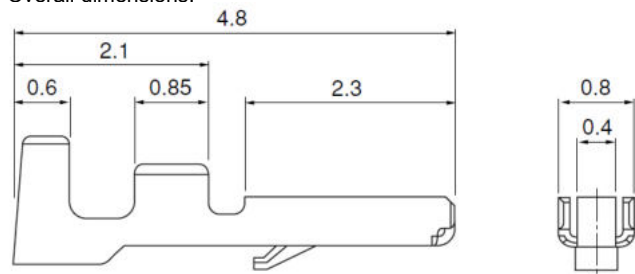


- Crimp tool:

- Code: SSSL-002T-P0.2
- Quantity: 8 (4 for each JST connector)
- Applicable wire: 0.05 ÷ 0.13 mm² (30 ÷ 26 AVG)
- . View:



- . Overall dimensions:



5. GENERAL CHARACTERISTICS *(continued)*

Make your own Nemo SX patch cord *(continued)*:

- Cables:

Quantity: 4

Type:

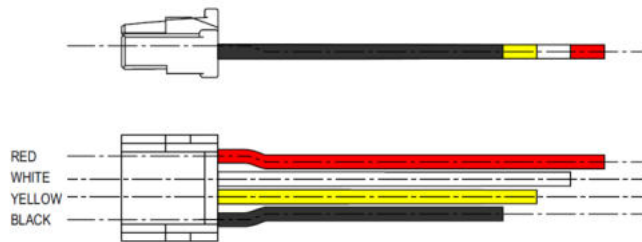
PVC insulation

UL1061

Section: 0.13 mm² (AVG 26) UL1061

Note:

- . Use 4 different wire colours to clearly identify the conductors.
- . It is possible use:
 - a multi-core cable (with features mentioned) already sheathed
 - ..4 individual cables (with features mentioned) and a PVC sheath (e.g. PVC UL 224 105° diameter.3 mm, Black colour)
- . Colour sequence:



IMPORTANT:



- . The maximum total length allowed for 1 communicating cable cord remains **3 meters**
- . The proper functioning of the system can only be guaranteed by using the pre-cabled Nemo SX Communicating patch cords (cat. nos SXAC250/500/1000)

6. SYSTEM ARCHITECTURES

The Nemo SX is a polyvalent system and, according to the needs of the customer, can be set up and/or used as “Stand-alone” or “Supervised” system. Based on this choice the configuration and addressing methods are different.

Four possible architectures are provided:

6.1 Stand alone system

6.1.1 with local addressing (through the track wheel)

6.1.2 with remote addressing (through a computer)

6.2 Supervised (Computer Supervisory System)

6.2.1 with local addressing

6.2.2 with remote addressing

6.1 Stand-alone system

. **Stand alone** = autonomous system. To be used by the end-user if it is not necessary to have a computer for the supervision outside the envelope. Everything can be manage on site.

6.1.1 Stand-alone system with local addressing (through the track wheel)

Local addressing advantages:

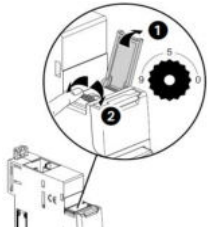
- No configuration software needed to set-up the installation
- **It is not necessary to use a computer to manage settings** (configurations, test, ...) and to use the system (visualize and be alerted, ...). Everything can be done through the Mini configuration module (local display, cat. no SXV01). [Refer to the technical sheet dedicated to this module for details].
- No communication Interfaces or gateways are required.
- Installation can be done without the intervention of a System Integrator

Programming procedure:

. For Nemo SX modules which need some: mandatory through to lateral DIP-switch of each Nemo SX modules (see § "Module configuration" in the technical sheet of each device).

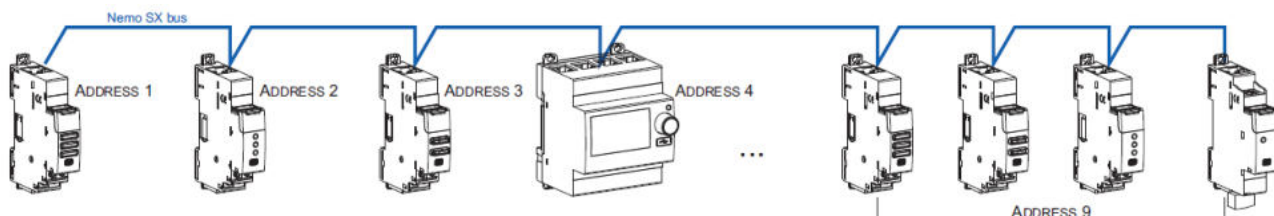
Addressing procedure:

. For all Nemo SX modules: mandatory through the track wheel located on the top upper face of each Nemo SX modules
. Marked from 0 to 9 in order to locally define the Modbus address of the Nemo SX modules



Consequences of the local addressing mode (through the track wheel):

- . Each device of the system must be addressed.
- . Addresses available: from 1 to 9
- . Address 0 not permitted
- . It is possible to assign to several devices the same address with the purpose of grouping different functions, **because they are related to the same electrical circuit**. For example it is possible to assign the same address to a multifunction signalling module (cat. no SXMC02), a multifunction control module (cat. no SXM0C1), a measuring module, and so on. In this way on the Nemo SX mini configuration module (local display) the grouped function will be displayed as a unique “device” with all grouped functions. [Refer to the schemes hereunder]



Note for the mini configuration module (local display)

- . It is possible to assign it the same address as another Nemo SX through the programming menu of the device
- . The mini configuration module can be placed everywhere in the Nemo SX bus

6. SYSTEM ARCHITECTURES

6.1 Stand-alone system *(continued)*

6.1.2 Stand-alone system with remote addressing (through a computer)

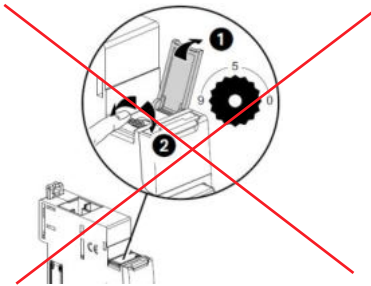
Remote addressing advantages:

- Whole configuration (addresses and functions) can be set up through the Nemo SX Configuration software
- Configuration software available for free
- **Automatic detection of the Nemo SX modules** installed in the system (characteristics, functions, configuration...)
- **Increased settings possibilities: load shedding function**
- Increased addressing: **up to 30 Modbus addresses in a system**

Programming procedure:

. For Nemo SX modules which need some: mandatory through to lateral DIP-switch of each Nemo SX modules *(see § "Module configuration" in the technical sheet of each device)*.

Addressing procedure:

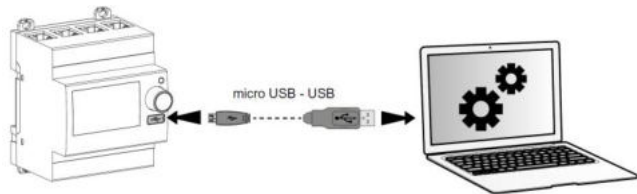


. It is not necessary to address the Nemo SX modules. The track wheel must be left in default position "0".

. All the addressing/configuring procedure will be done with the Configuration Software (available online for free)

. With remote addressing, the software does the automatic detection of modules installed in the system but the supervision is not possible until the user assign the remote address and all the characteristics to each module.

Note: it is mandatory to connect the computer to the mini configuration module with a "type B" micro - USB cable. *[For more details, refer to the technical sheet dedicated to this module].*



Read configuration from USB

Found: 7 modules
0 groups

Group modules in sets assigning the same address.
Press "Continue" to save addressing and import configuration.

Found modules					
	Model	Module ID	Address	Result	
	SX1485	EMG/RS485 interface	0000-0000-00TE-125A	< 1 >	✓
	SXMC22	State (contact/fault)	FFFF-FFFF-FFFF-F0B9	< 3 >	✓
	SXMM63	Measure (singlephase 63A)	FFFF-FFFF-FFFF-F0E8	< 2 >	✓
	SXMM75	Measure (CT)	FFFF-FFFF-FFFF-F0F1	< 4 >	✓
	SXMC11	Control (motor driver)	FFFF-FFFF-FFFF-F0E1	< 2 >	✓
	SXMT63	Measure (threephase 63A)	FFFF-FFFF-FFFF-F0E0	< 3 >	✓
	SXMSAP	Measure (pulse)	FFFF-FFFF-FFFF-F0E8	< 4 >	✓
	SXMC22	State (contact/fault)	FFFF-FFFF-FFFF-FFFF	< 2 >	✓

Click on this icon on the table to make the LED blink on the corresponding module

Rotary addr. Refresh Continue

6. SYSTEM ARCHITECTURES

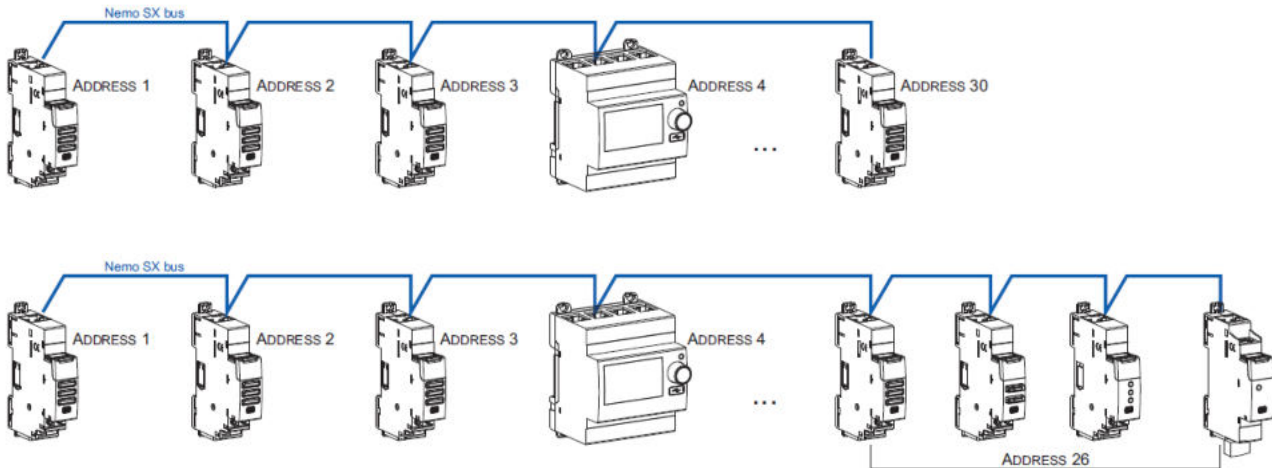
6.1 Stand-alone system *(continued)*:

6.1.2 Stand-alone system with remote addressing (through a computer) *(continued)*:

Consequences for the system architecture:

- for 1 mini configuration module (cat. no SXV01)
 - o up to **30 Nemo SX modules** (e.g. 30 devices grouped per functions with addresses from 1 to 30)

It is possible to assign to several devices the same address with the purpose of grouping different functions, **because they are related to the same electrical circuit**. For example it is possible to assign the same address to a multifunction signalling module (cat. no SXMC02), a multifunction control module (cat. no SXM0C1), a measuring module, and so on. In this way on the Nemo SX display or in a supervision system the grouped function will be displayed as a unique "device" with all grouped functions. *[Refer to the schemes here under]*



Note for the mini configuration module (local display)

- . It is possible to assign it the same address as another Nemo SX
- . The mini configuration module can be placed everywhere in the Nemo SX bus

6.2 Supervised system (Computer Supervisory System)

. **Supervised system** = System to be used through a Computer Supervisory System to remotely read data from the Nemo SX devices and/or do operations on these devices (e.g. commands of a motor driven or contactor ...).

6.2.1 Supervised system-with local addressing (through the track wheel)

Local addressing advantages:

- No configuration software needed to set-up the installation
- Installation can be done without the intervention of a System Integrator

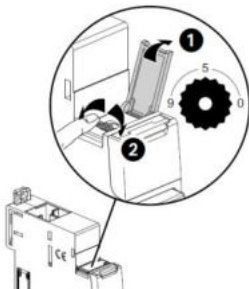
Programming procedure:

. For Nemo SX modules which need some: mandatory through to lateral DIP-switch of each Nemo SX modules *(see § "Module configuration" in the technical sheet of each device)*.

Addressing procedure:

- . For all Nemo SX modules: mandatory through the track wheel located on the top upper face of each Nemo SX modules
- . Marked from 0 to 9 in order to locally define the Modbus address to Nemo SX modules

In this system the Modbus address of an Nemo SX module device or group of modules (several functions) is obtained considering the address of the interface Modbus/Nemo SX Interface as tenth and the address of a device or group of function as unit (e.g. Interface address 1 = 10 → address of module n°5 = Modbus address 15)



6. SYSTEM ARCHITECTURES *(continued)*

6.2 Supervised system (Computer Supervisory System) *(continued)*

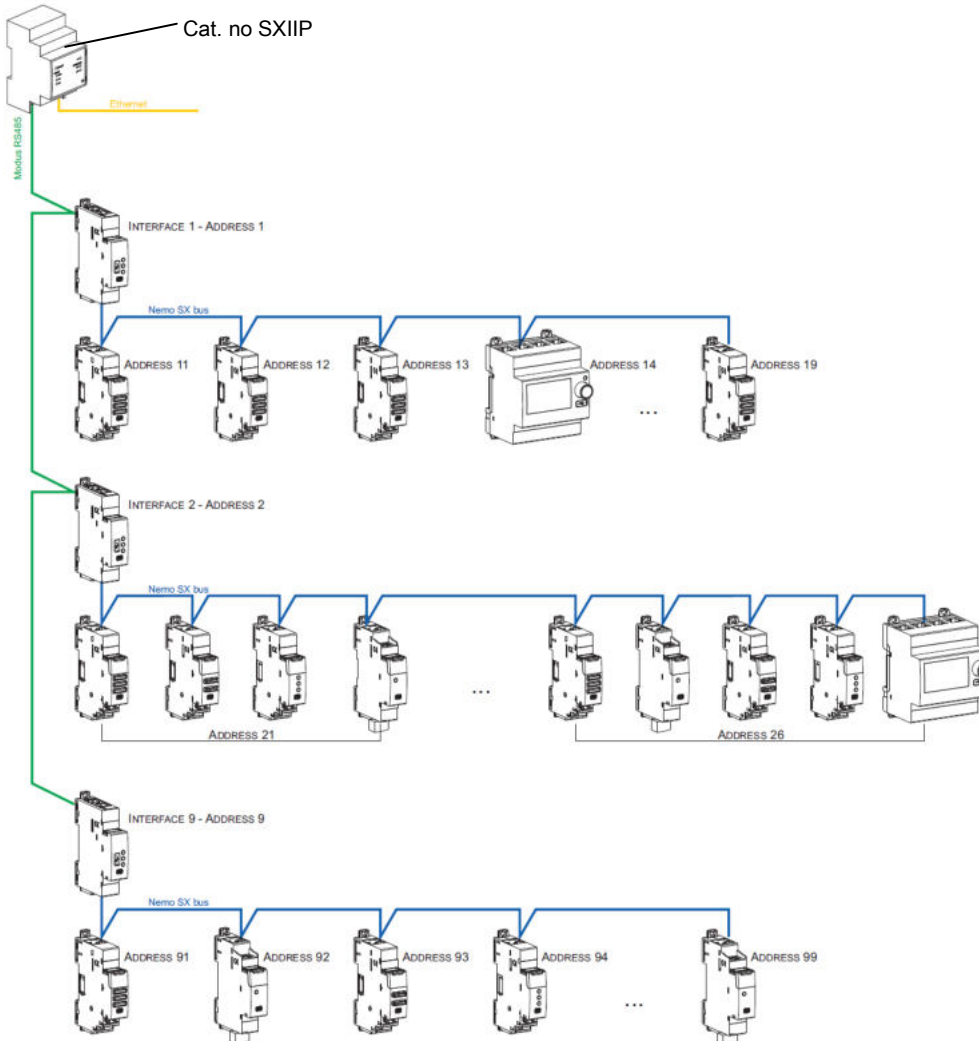
6.2.1 Supervised system-with local addressing (through the track wheel) *(continued)*

Consequences of the local addressing mode (through the track wheel):

- . Each device of the system must be addressed.
- . Addresses available: from 1 to 9
- . Address 0 not permitted

It is possible to assign to several devices the same address with the purpose of grouping different functions, **because they are related to the same electrical circuit**. For example it is possible to assign the same address to a multifunction signalling module (cat. no SXMC02), a multifunction control module (cat. no SXM0C1), a measuring module, and so on. In this way on the Nemo SX display or in a supervision system the grouped function will be displayed as a unique "device" with all grouped functions. *[Refer to the scheme hereunder]*

Note: In this configuration the Modbus address of an Nemo SX module device or group of modules (several functions) is obtained considering the address of the interface Modbus/Nemo SX Interface as tenth and the address of a device or group of function as unit (e.g. Interface address 1 = 10 and device address = 5 → Modbus address = 15)



Consequences for the system architecture:

- for 1 IP/Modbus gateway (cat. no SXIIP):
 - o up to **81 Modbus address**
 - o mandatory limit of max. **9 Modbus/Nemo SX interfaces** or max. **1000 m of Modbus cable** (cable Belden 9842, Belden 3106A or equivalent).
- for 1 Modbus/Nemo SX Interface (cat. no SXI485):
 - o up to **30 Nemo SX modules** (ex. 30 devices grouped per functions with addresses from 1 to 9)

Note: with local addressing, the Modbus/Nemo SX interface, does the automatic detection of modules (characteristics, functions, configuration...)

6. SYSTEM ARCHITECTURES *(continued)*

6.2 Supervised system (Computer Supervisory System) *(continued)*

6.2.2 Supervised system-with remote addressing (through a computer)

Remote addressing advantages:

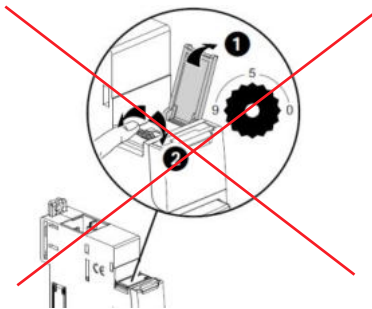
- Whole ef configuration (addresses and functions) can be done a remotely through the Nemo SX Configuration software
- Configuration software available for free
- **Automatic detection of the Nemo SX modules** installed in the system (characteristics, functions, configuration...)
- **Increased settings possibilities: load shedding function**
- Increased addressing: **up to 32 Modbus/Nemo SX interfaces**
- Increased addressing: **up to 247 Modbus addresses in a system**

Programming procedure:

. For Nemo SX modules which need some: mandatory through to lateral DIP-switch of each Nemo SX modules *(see § "Module configuration" in the technical sheet of each device)*.

Note: via the configuration software it is possible to assign all the functions and characteristics of each Nemo SX module

Addressing procedure:

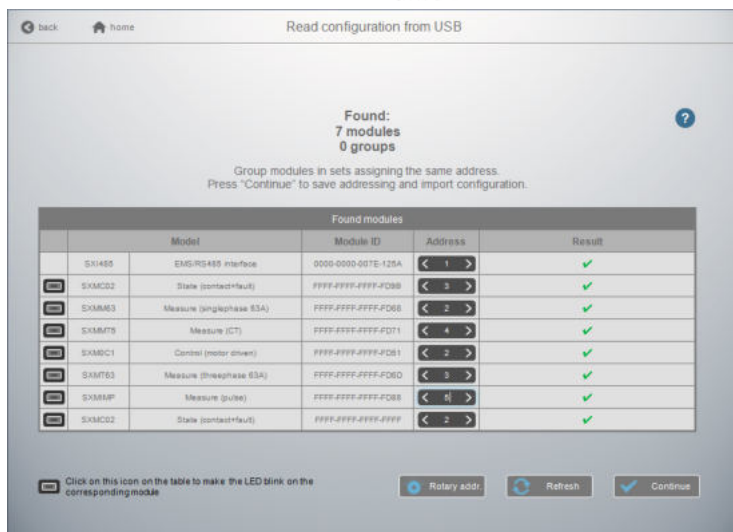
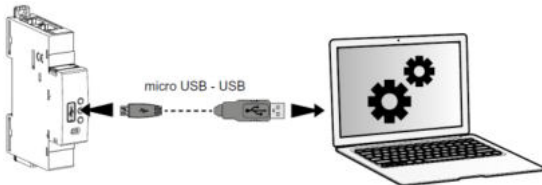


. It is not necessary to address the Nemo SX modules. The track wheel must be left in default position "0".

. A all the addressing/configuring procedure will be done with the Configuration Software (available online for free)

. With remote addressing, the software does the automatic detection of modules installed in the system but the supervision is not possible until the user assign the remote address and all the characteristics to each module.

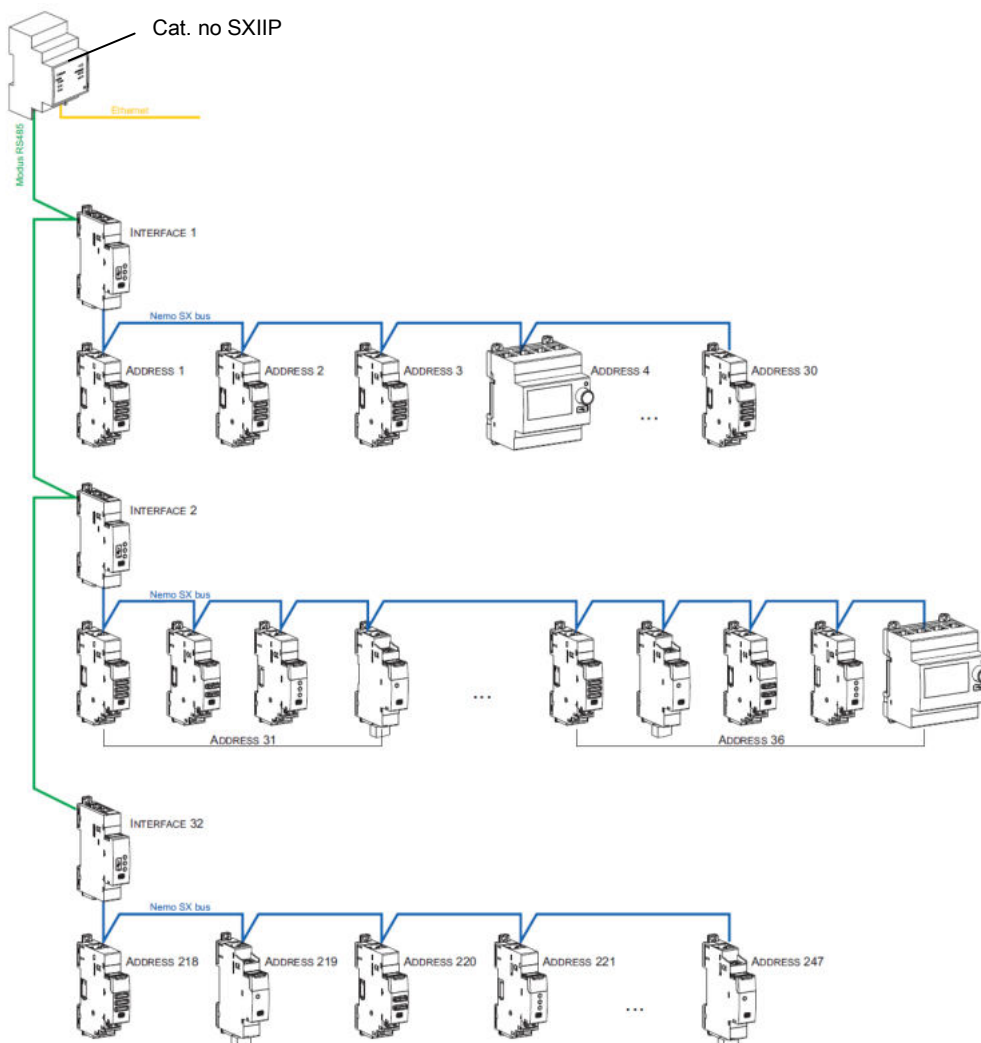
Note: it is mandatory to connect the computer to the different Modbus/Nemo SX interface with a "Type B" micro USB - USB cable (one interface at a time) . *[For more details, refer to the technical sheet dedicated to this module].*



6. SYSTEM ARCHITECTURES *(continued)*

6.2 Supervised system (Computer Supervisory System) *(continued)*

6.2.2 Supervised system-with remote addressing (through a computer) *(continued)*



Consequences for the system architecture:

- for 1 IP/Modbus gateway (cat. no SXIIP):
 - o up to **247 Modbus address**
 - o Because of Modbus: mandatory limit of max. **32 Modbus/Nemo SX interfaces** or max. **1000 m of Modbus cable** (cable Belden 9842, Belden 3106A or equivalent).
- for 1 Modbus/Nemo SX Interface (cat. no SXI485):
 - o up to **30 Nemo SX modules or grouped modules** (e.g. 30 devices grouped per functions with addresses from 1 to 30)

It is possible to assign to several devices the same address with the purpose of grouping different functions, **because they are related to the same electrical circuit**. For example it is possible to assign the same address to a multifunction signalling module (cat. no SXMC02), a multifunction control module (cat. no SXM0C1), a measuring module, and so on. In this way on the Nemo SX display or in a supervision system the grouped function will be displayed as a unique “device” with all grouped functions. *[Refer to the scheme up here]*

7. COMPLIANCE AND APPROVALS

Compliance to standards:

- . Compliance with Directive on electromagnetic compatibility (EMC) n° 2014/30/EU
- . Compliance with low voltage directive n° 2014/35/EU.
- . Electromagnetic Compatibility:
 - IEC/EN 61131-2
 - IEC/EN 60558-2-16

Environment respect – Compliance with EU directives:

- . Compliance with Directive 2011/65/EU known as “RoHS 2” on the restriction of the use of certain hazardous substances in electrical and electronic equipment.
- . Compliance with REACH regulation: at the date of the publication of this document no substance from the candidate list is present in these products.

Plastic materials :

- . Halogens-free plastic materials.
- . Marking of parts according to ISO 11469 and ISO 1043.

Packaging :

- . Design and manufacture of packaging compliant to decree 98-638 of the 20/07/98 and also to directive 94/62/CE.