

# Installation instructions platform

## **KERN KXP\_V20**

Version 1.1  
04/2015  
GB



**KXP V20\_6-300-IA-e-1511**



# KERN KXP V20

Version 1.1 04/2015

## Operating Instruction Platforms

---

---

### Table of contents

<b>1</b>	<b>General .....</b>	<b>3</b>
<b>2</b>	<b>Safety precautions.....</b>	<b>3</b>
<b>3</b>	<b>Setting up the weighing platform .....</b>	<b>4</b>
3.1	Selecting the site of installation.....	4
3.2	Package volume .....	4
3.3	Protect screw .....	4
3.4	Packaging / return transport .....	5
3.5	Ambient conditions .....	5
3.6	Levelling .....	6
3.7	Connecting to the weighing terminal .....	7
<b>4</b>	<b>Operating limits .....</b>	<b>7</b>
<b>5</b>	<b>Cleaning.....</b>	<b>8</b>
<b>6</b>	<b>Technical data.....</b>	<b>8</b>
6.1	Dimensions in mm.....	8
6.2	Technical data of the weighing cell .....	9
6.3	Preload, Deadload and Overload settings .....	10

## 1 General

- These installation instructions cover all information required for the installation and start-up of the following platforms:

**KXP 6V20LM**

**KXP 15V20M / KXP15V20LM**

**KXP 30V20M / KXP30V20LM**

**KXP 60V20M / KXP 60V20LM**

**KXP150V20M / KXP 150V20LM**

**KXP300V20M**

## 2 Safety precautions

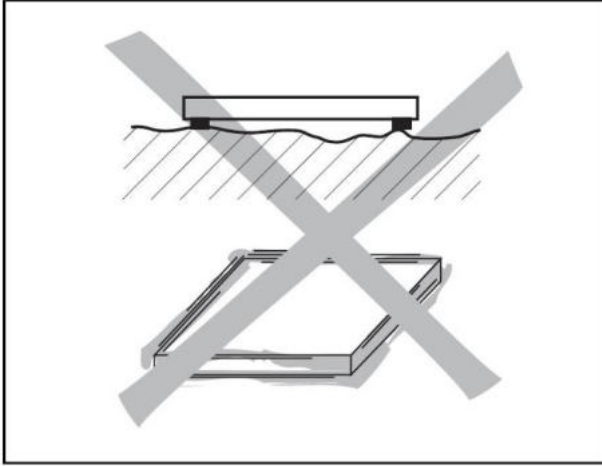
Product safety plays an important role at KERN & Sohn.

Non-observance of the following instructions can lead to damage to the weighing platform and/or injuries.

- ⇒ Before using the weighing platform read these instructions. Store these instructions for future use.
- ⇒ Take care when transporting or lifting heavy devices.
- ⇒ Only qualified personnel may install and maintain the weighing platform.
- ⇒ Disconnect the weighing terminal from the power supply before carrying out cleaning, installation and maintenance.
- ⇒ The weighing platform must have stabilized to room temperature before the supply voltage is switched on.
- ⇒ Do not use the weighing platform in hazardous environments.

### 3 Setting up the weighing platform

#### 3.1 Selecting the site of installation



- The surface must be able to bear the weighing platform under maximum load at the points of support. At the same time it should be so stable that no vibrations arise during weighing. This is also to be observed when installing the weighing platform in conveyor and similar systems.
- If possible, vibrations from neighboring machines should not occur at the site of installation.

#### 3.2 Package volume

- Platform
- Protect screw
- Operation Manual

#### 3.3 Protect screw



Protect screw

Models platform sizes 400 x 500 mm and 500 x 650 mm



Models platform sizes 240 x 300 mm and 300 x 400 mm



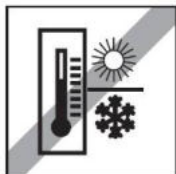
### 3.4 Packaging / return transport



- ⇒ Keep all parts of the original packaging for a possibly required return.
- ⇒ Only use original packaging for returning.
- ⇒ Reattach supplied transport securing devices.
- ⇒ Secure all parts against shifting and damage.

### 3.5 Ambient conditions

Do not use the weighing platform in wet or corrosive environments. Never immerse electronic products into liquids.

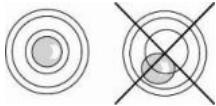


Observe the following ambient conditions:

- ⇒ No direct sunshine
- ⇒ No strong draught
- ⇒ No excessive temperature fluctuations
- ⇒ Temperature range  $-10\text{ }^{\circ}\text{C}$  to  $+40\text{ }^{\circ}\text{C}$ .

### 3.6 Levelling

Only a weighing platform which is aligned exactly horizontally supplies exact weighing results. The weighing platform has to be levelled during the initial installation and whenever its location is changed.



⇒ Level platform with foot screws until the air bubble of the water balance is in the prescribed circle.

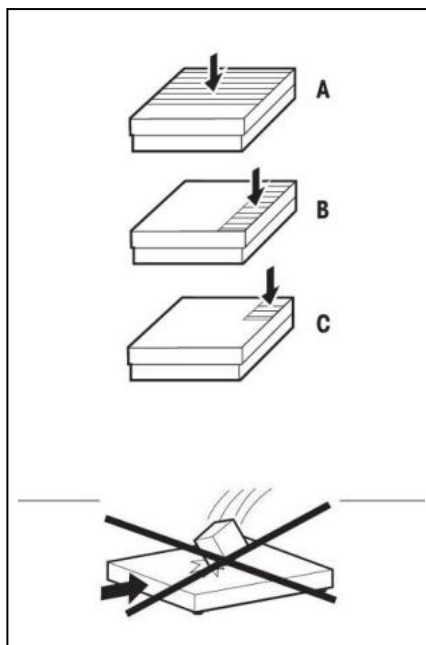
### 3.7 Connecting to the weighing terminal

Deadweight cell output	KERN KXP V20 weighing platform connection
EXC+	See marking of the deadweight cell
EXC-	
SIG-	
SIG+	

## 4 Operating limits

The weighing platform is designed so robustly that an occasional exceeding of the maximum weighing load does not lead to damage.

The static bearing capacity, i.e. the maximum permissible load, depends on the type of load carrying (position A – C). The maximum static bearing capacity may not be exceeded.



⇒ Avoid falling loads, shock loads as well as impacts from the side.

**A** at centered load

**B** at load on side

**C** at one side corner load

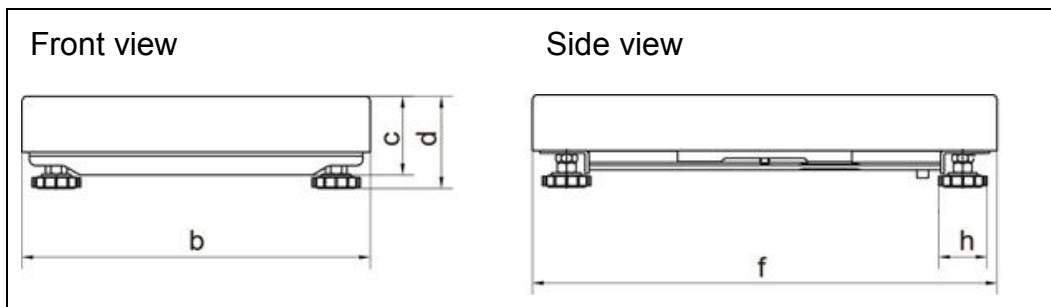
Modell	A	B	C
KXP 6V20LM	9 kg	6 kg	3 kg
KXP 15V20M / KXP15V20LM	22 kg	15 kg	7 kg
KXP 30V20M / KXP30V20LM	45 kg	30 kg	15 kg
KXP 60V20M / KXP 60V20LM	90 kg	60 kg	30 kg
KXP150V20M / KXP 150V20LM	225 kg	150 kg	75 kg
KXP300V20M	450 kg	300 kg	150 kg

## 5 Cleaning

- ⇒ Clean the weighing platform with a soft cloth soaked with a mild cleaning agent.
- ⇒ Take off the load panel and remove any dirt and foreign substances which may have collected underneath it. Do not use any hard objects to do so. Do not open the weighing platform.

## 6 Technical data

### 6.1 Dimensions in mm



Model	b	c	d	f	h
KXP 6V20LM	240	68	86	300	38
KXP 15V20M	240	68	86	300	38
KXP15V20LM	300	72	89	400	37
KXP 30V20M	300	72	89	400	37
KXP30V20LM	400	95	130	500	65
KXP 60V20M	300	72	89	400	37
KXP 60V20LM	400	95	130	500	65
KXP150V20M	400	95	1230	500	65
KXP 150V20LM	500	100	132	650	65
KXP300V20M	500	100	132	650	65



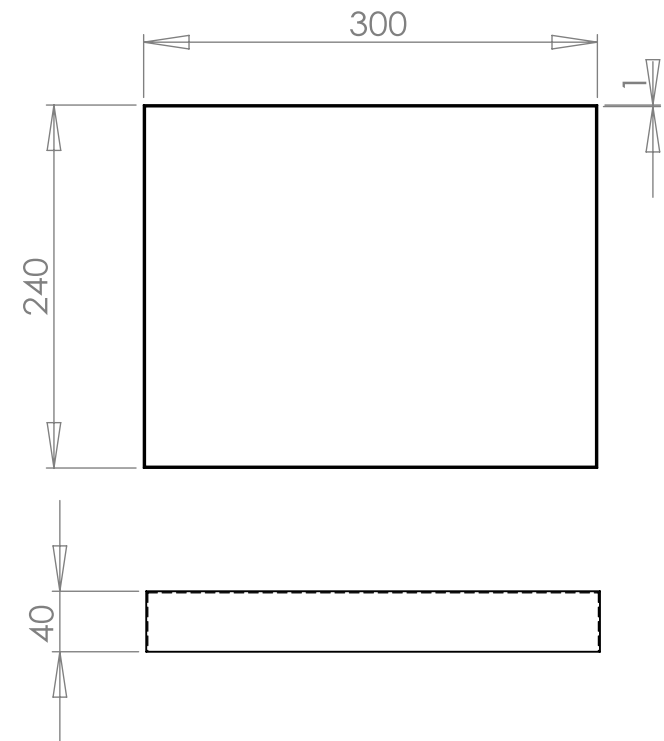
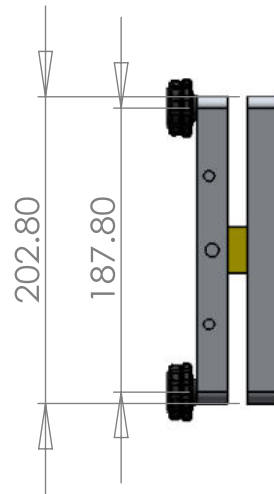
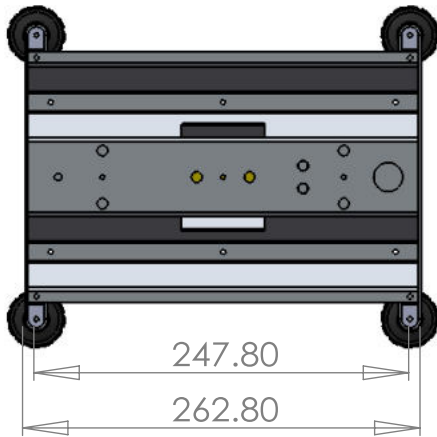
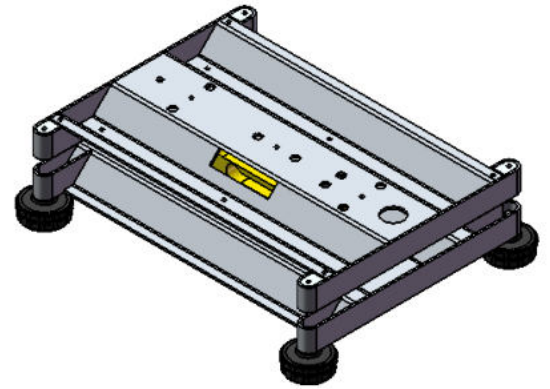
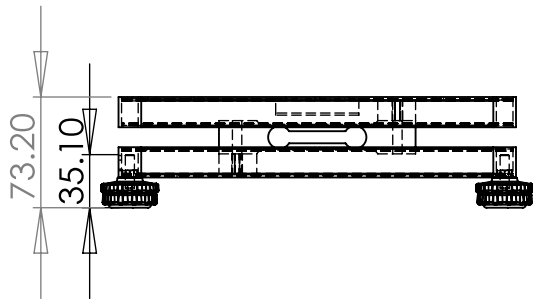
## 6.2 Technical data of the weighing cell

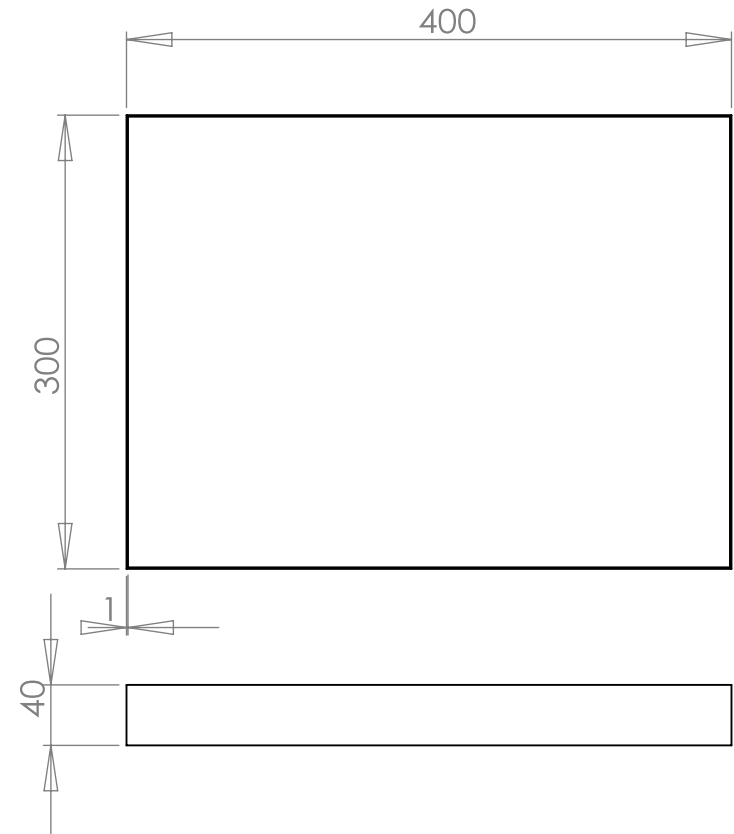
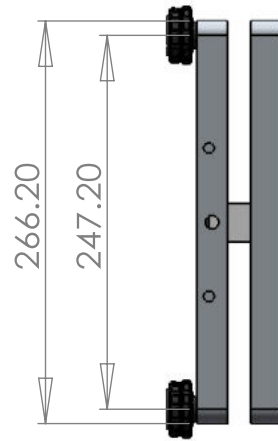
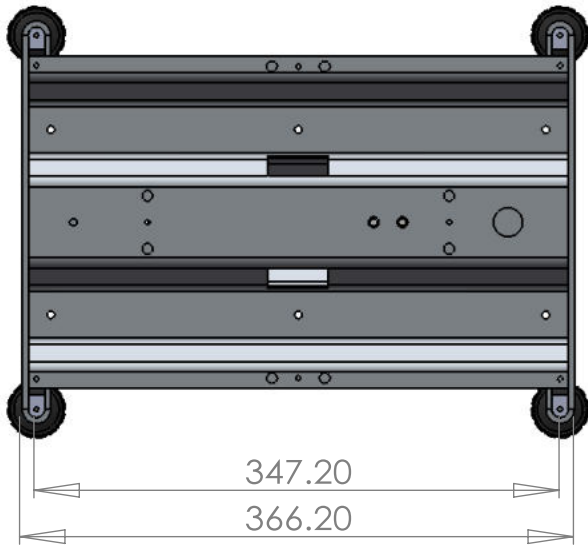
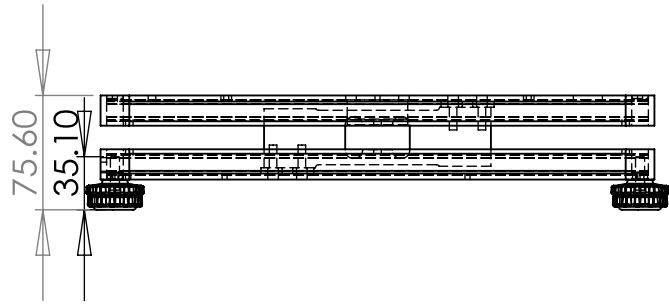
Sensitivity	2.0 ±0.2 mV/V
Input resistance	406 ±6 Ω
Output resistance	350 ±3 Ω
Supply voltage	5~12 VDC
OIML approval	C3

### 6.3 Preload, Deadload and Overload settings

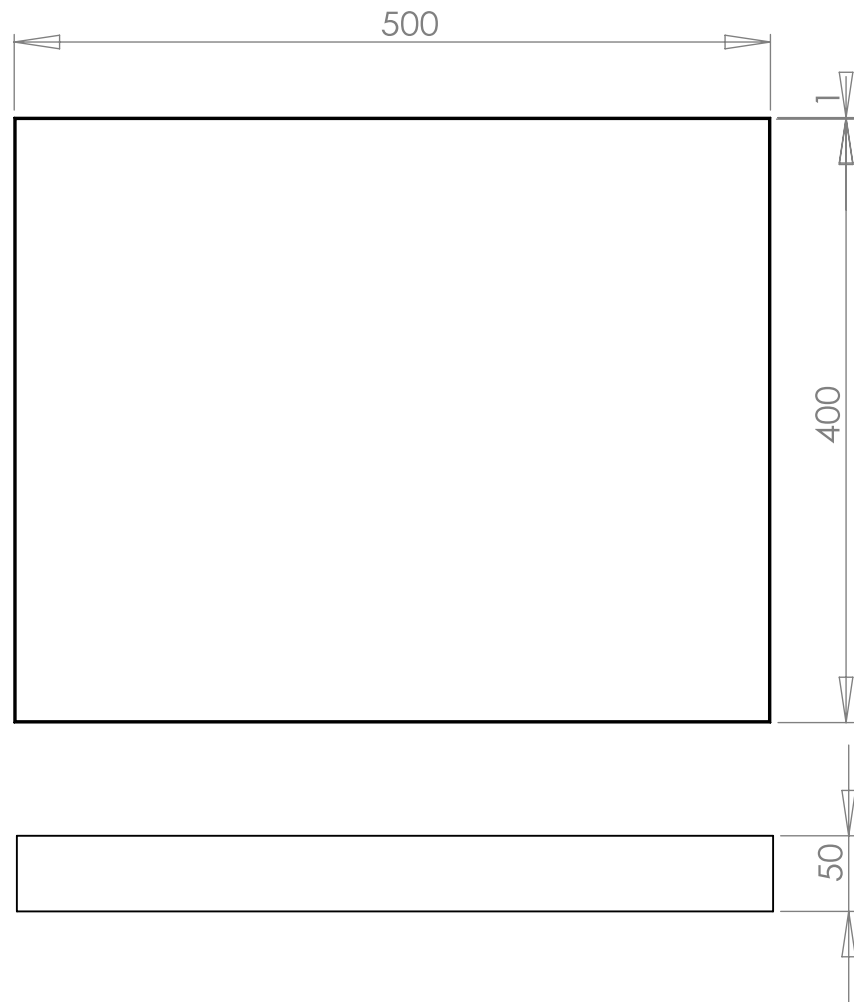
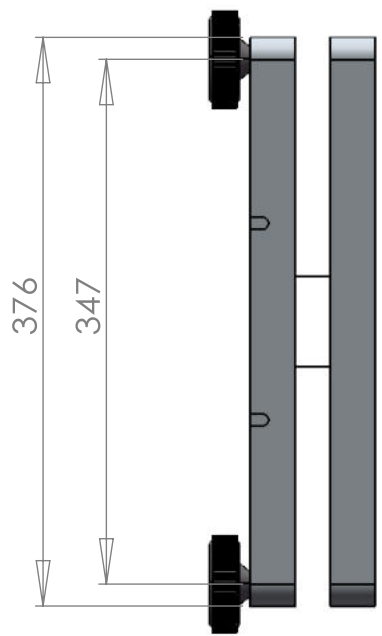
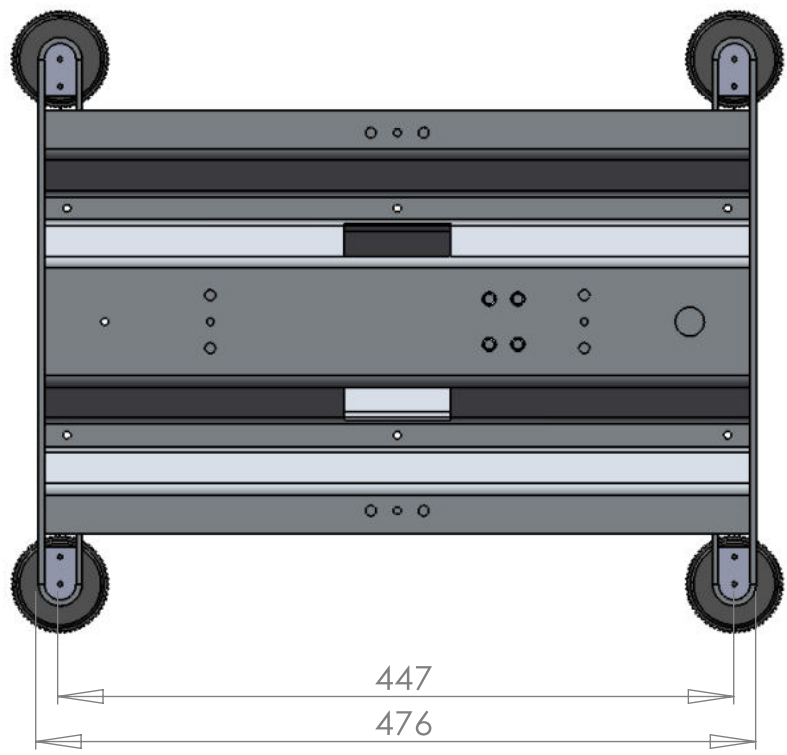
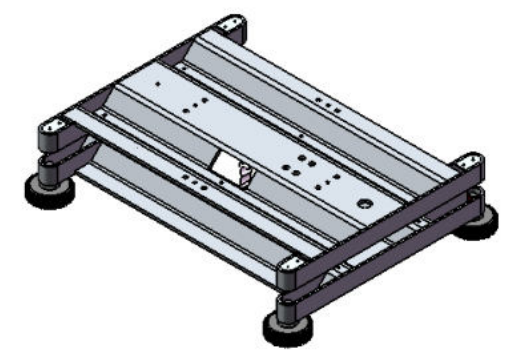
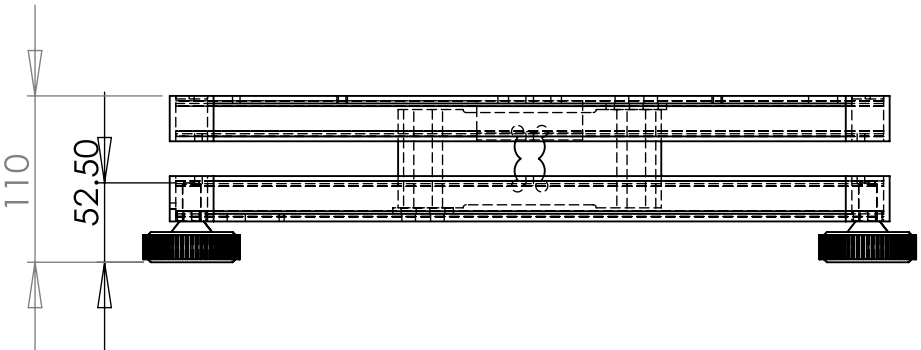
Kern model	max. Preload* (kg) * = additional initial load	Center Overload Protection circa (kg)	Corner Overload Protection circa (kg)	Loadcell Capacity (kg)
KXP 6V20 LM	1.86	8.5	4.8	10
KXP 15V20 M	2.86	23	12	30
KXP 15V20 LM	2.86	23	12	30
KXP 30V20 M	10.52	46	24	50
KXP 30V20 LM	10.52	46	24	50
KXP 60V20 M	35.52	85	48	100
KXP 60V20 LM	35.52	85	48	100
KXP 150V20 M	90.98	200	120	200
KXP 150V20 LM	136.14	270	120	300
KXP 300V20 M	186.14	550	240	500

Platform type	Platform di- mension (mm)	Load-cell	TC	Class	Max	E <sub>max</sub>	E <sub>min</sub>	Y	V <sub>min</sub>	n	T <sub>min</sub>	T <sub>max</sub>	Z	Cable-	P <sub>Lc</sub>
		Typ	Nr.		Preload	-1	-4	-2	-3	-5	-6	oder	length		
					(kg)	(kg)	(g)	(g)					DR	(m)	
KXP 6V20 LM	300x240x86	L6D	D09-03.20	C3	1.86	10	0	5000	2	3000	-10	40	n <sub>LC</sub>	3	0,7
KXP 15V20 M	300x240x86	L6D	D09-03.20	C3	2.86	30	0	5000	2	3000	-10	40	n <sub>LC</sub>	3	0,7
KXP 15V20 LM	400x300x89	L6D	D09-03.20	C3	10.52	30	0	5000	10	3000	-10	40	n <sub>LC</sub>	3	0,7
KXP 30V20 M	400x300x89	L6E	D09-03.21	C3	10.52	50	0	6000	10	3000	-10	40	n <sub>LC</sub>	3	0,7
KXP 30V20 LM	500x400x130	L6E	D09-03.21	C3	10.52	50	0	6000	20	3000	-10	40	n <sub>LC</sub>	3	0,7
KXP 60V20 M	400x300x89	L6G	D09-03.22	C3	35.52	100	0	6000	20	3000	-10	40	n <sub>LC</sub>	3	0,7
KXP 60V20 LM	500x400x130	L6G	D09-03.22	C3	35.52	100	0	6000	50	3000	-10	40	n <sub>LC</sub>	3	0,7
KXP 150V20 M	500x400x130	L6G	D09-03.22	C3	90.98	200	0	6000	50	3000	-10	40	n <sub>LC</sub>	3	0,7
KXP 150V20 LM	650x500x132	L6G	D09-03.22	C3	136.14	300	0	6000	100	3000	-10	40	n <sub>LC</sub>	3	0,7
KXP 300V20 M	650x500x132	L6G	D09-03.22	C3	186.14	500	0	6000	100	3000	-10	40	n <sub>LC</sub>	3	0,7

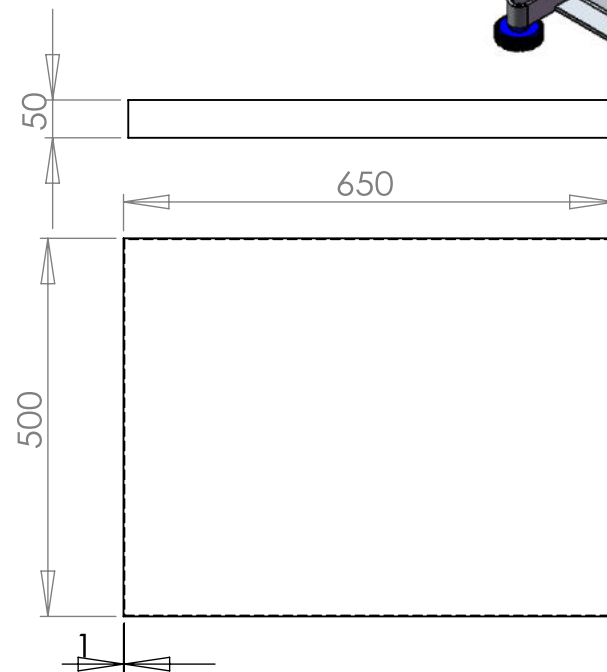
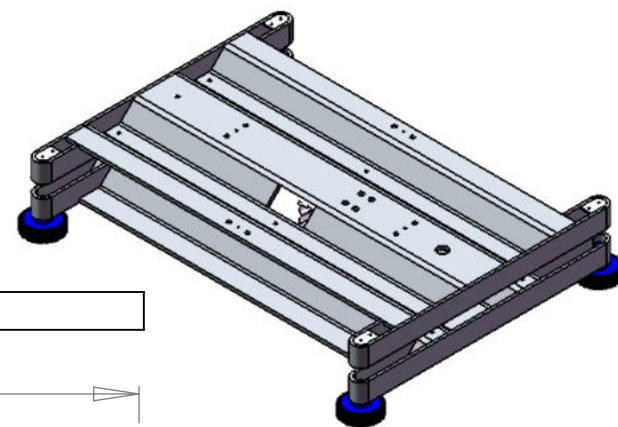
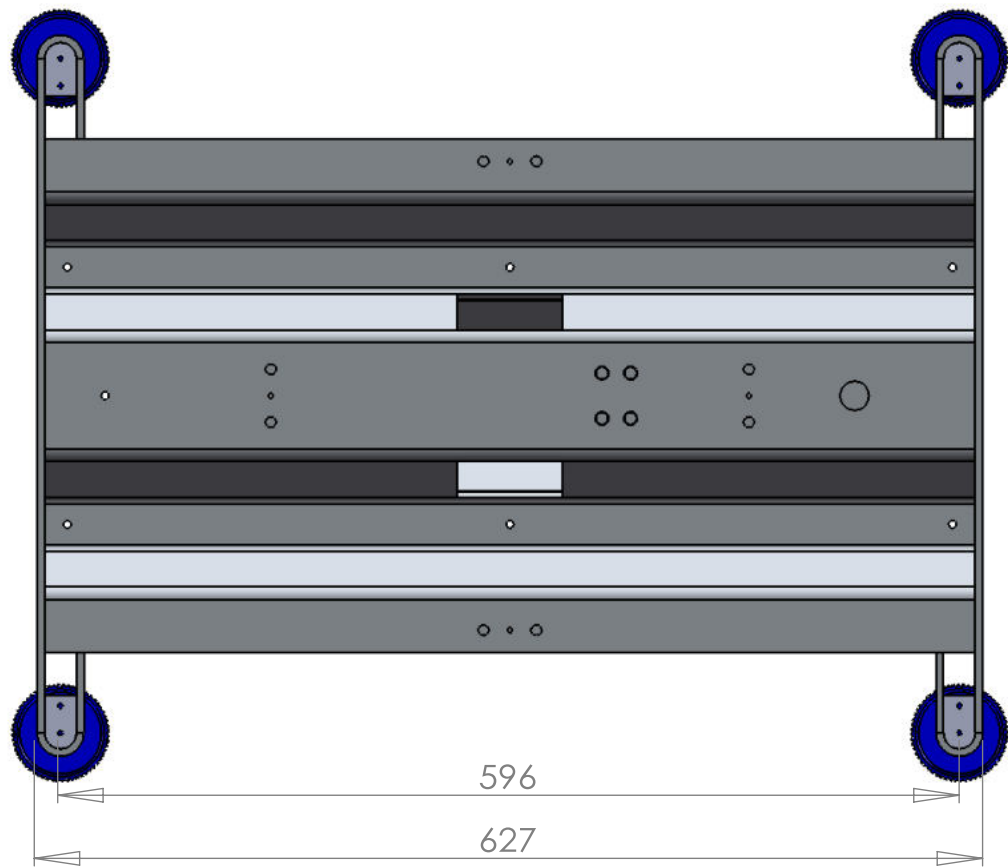
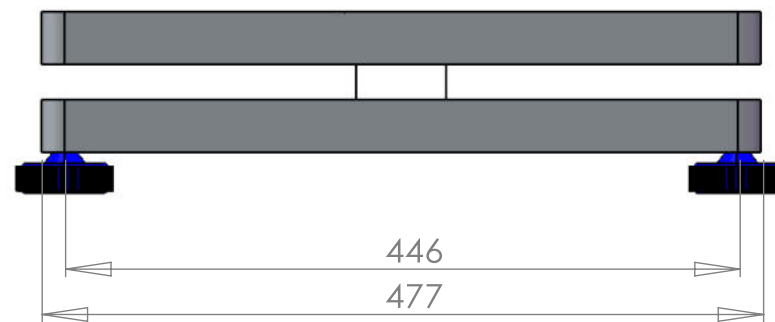
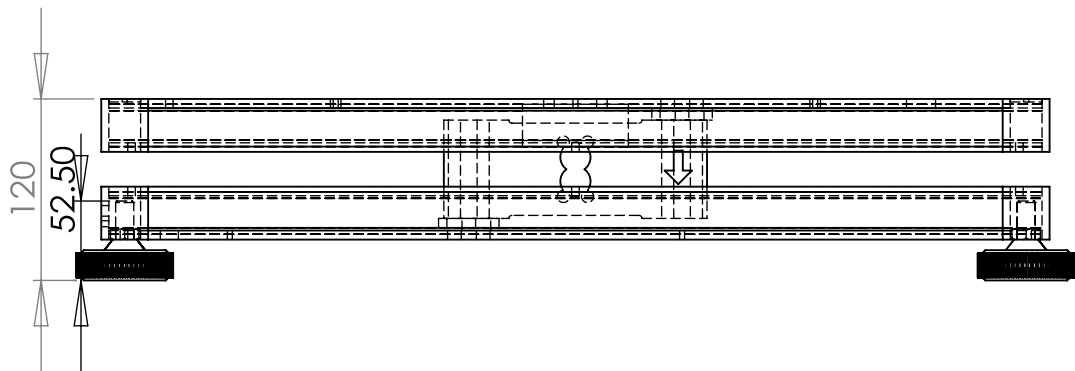




IXS\_400X300



IXS\_500X400



IXS\_650X500