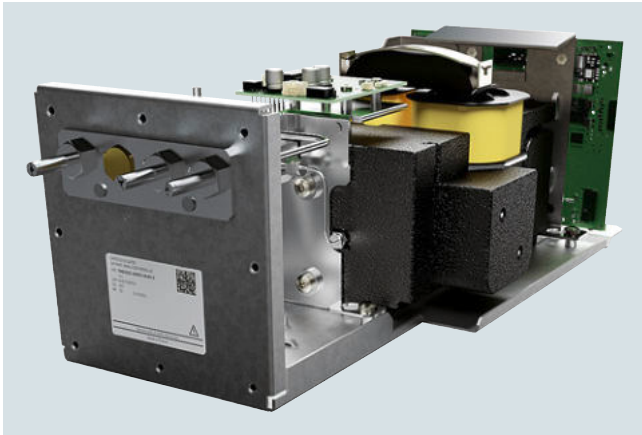


Overview



The function of the OXYMAT 7 module is based on the paramagnetic alternating pressure method and is used to measure oxygen in gases.

Benefits

Paramagnetic alternating pressure principle

- Small measuring ranges (0 to 0.5% or 99.5 to 100% O₂)
- Absolute linearity

Detector element has no contact with the sample gas

- Applicable in the absence of corrosive sample gases
- Long service life

Physically suppressed zero point possible, e.g. in the measuring range 98% or 99.5% to 100% O₂

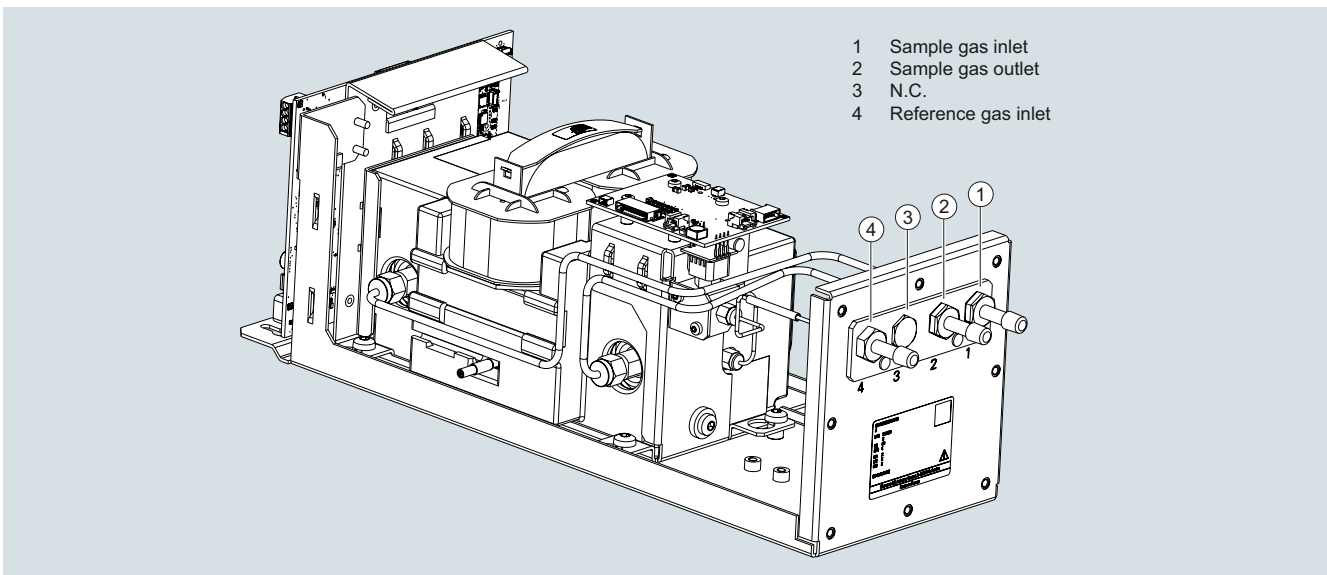
Ex (p) for Zones 1 and 2 according to ATEX-/IECEx approval, introduction of flammable gases possible

Application

Application areas

- For boiler control in incineration plants
- In chemical plants
- For ultra-pure gas quality monitoring
- In environmental protection
- For quality control
- Purity control/air separator
- Versions for analyzing flammable and non-flammable gases or vapors for use in hazardous areas

Design



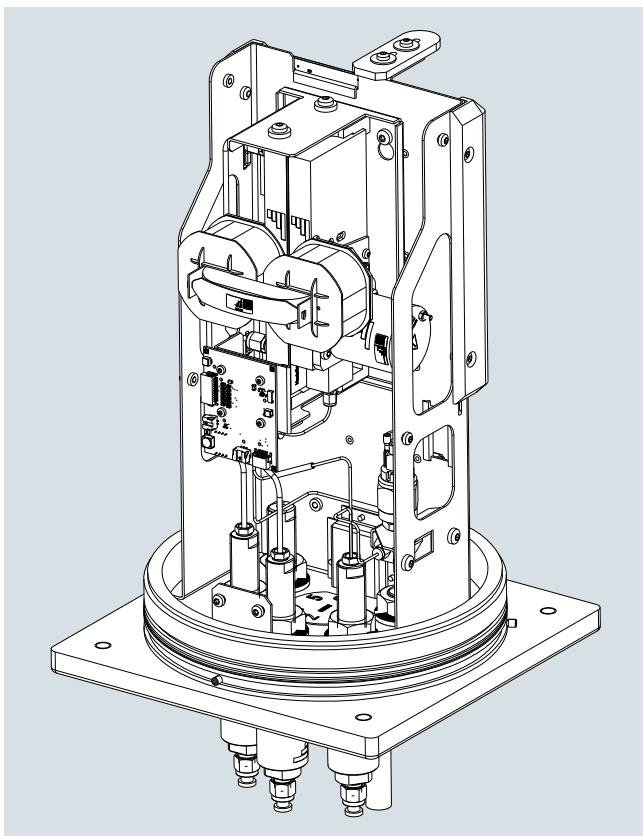
Structure of high-pressure version, standard module, sample gas path with pipes

Extractive continuous process gas analysis

SIPROCESS GA700

OXYMAT 7 module

1

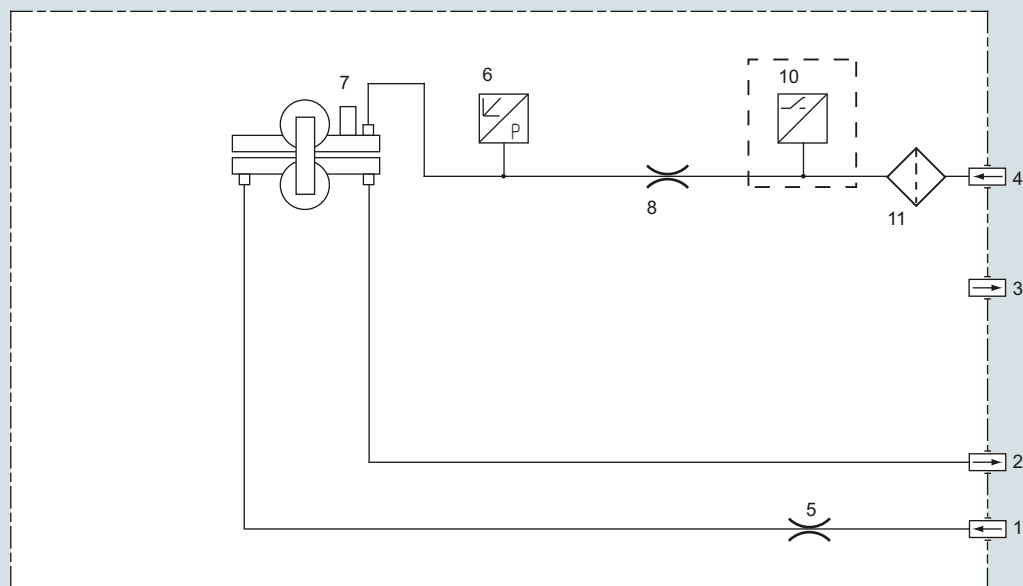


Structure of high-pressure version, field module, sample gas path with pipes

Gas path

High-pressure version with optional pressure switch for monitoring reference gas pressure

Reference gas pressure	2 000 ... 4 000 hPa above sample gas pressure, but max. 5 000 hPa
Sample gas pressure	
• With hoses	500 ... 1 500 hPa (abs.)
• With pipes	500 ... 2 500 hPa (abs.) with internal pressure sensor 500 ... 3 000 hPa (abs.) with external pressure sensor
Sample gas path	With hoses or with pipes

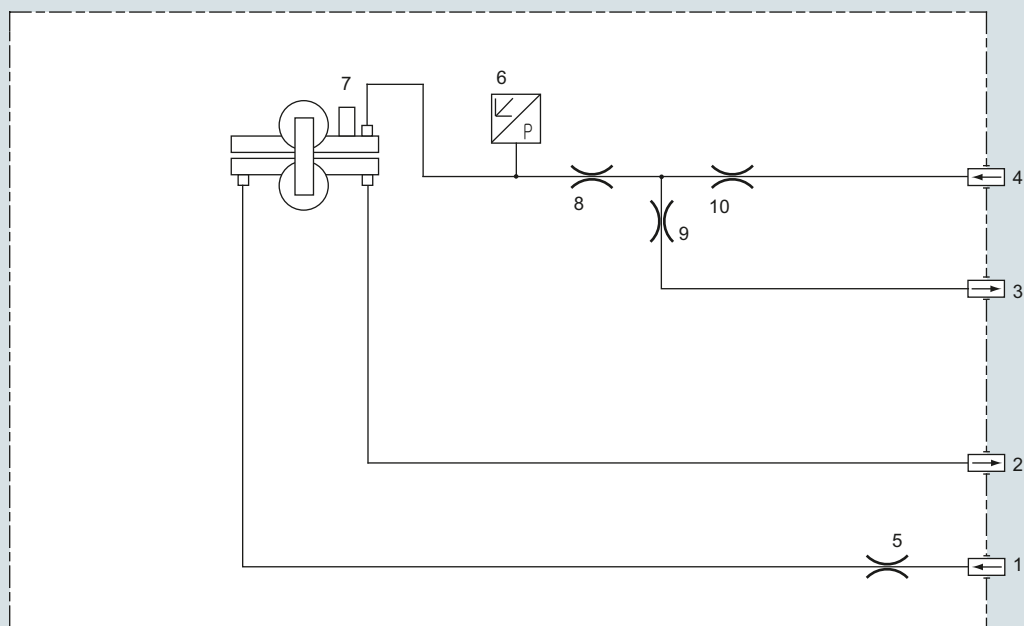


- | | |
|-------------------------|--|
| 1 Sample gas inlet | 6 Pressure sensor p for sample gas pressure |
| 2 Sample gas outlet | 7 Analyzer unit |
| 3 N. C. | 8 Reference gas restrictor |
| 4 Reference gas inlet | 10 Pressure switch for reference gas monitoring (optional) |
| 5 Sample gas restrictor | 11 Reference gas fine filter |

Gas path plan, high-pressure version with optional pressure switch for monitoring reference gas pressure

Low-pressure version with external reference gas pump

Reference gas pressure	100 hPa above the sample gas pressure (low-pressure version) for the connection of an external pump
Sample gas pressure	Atmospheric pressure ± 50 hPa
Sample gas path	With hoses
Reference gas path	With hoses



- | | |
|---|---|
| 1 Sample gas inlet | 6 Pressure sensor p for sample gas pressure |
| 2 Sample gas outlet | 7 Analysis part |
| 3 Bypass outlet | 8 Reference gas restrictor |
| 4 Reference gas inlet, external pump, delivery pressure approx. 100 hPa | 9 Bypass restrictor |
| 5 Sample gas restrictor | 10 Damping restrictor |

Gas path plan, low-pressure with external reference gas pump, with hoses

Extractive continuous process gas analysis

SIPROCESS GA700

OXYMAT 7 module

1

Mode of operation

Oxygen is highly paramagnetic. This outstanding property of paramagnetism is used as a physical measuring effect for oxygen analysis.

Oxygen molecules in an inhomogeneous magnetic field always move toward the higher field strength. This results in a higher oxygen concentration where the field strength is higher (higher oxygen partial pressure). If two gases with differing oxygen content are combined in a magnetic field, a (O_2 partial) pressure difference arises between them.

Since the measuring effect is always based on the difference of the oxygen content of the two gases, one refers to the sample and reference gases.

For measuring oxygen in the OXYMAT 7, the reference gas (N_2 , O_2 or air) flows through two channels into the sample chamber (6). One of these partial flows enters the measuring chamber (7) in the area of the magnetic field. If the sample gas is O_2 -free, the reference gas can flow out freely. If the sample gas does contain O_2 , however, the oxygen molecules concentrate in the area of the magnetic field. The reference gas can then no longer flow off freely. An alternating pressure results between the two reference gas inlets. This pulsates in step with the magnetic field and depends on the oxygen concentration. This causes an alternating flow in the microflow sensor (4).

The microflow sensor consists of two nickel-plated grids heated to approximately 120°C , which, along with two supplementary resistors, form a Wheatstone bridge. The alternating flow results in a change in the resistance of the nickel-plated grids. The resulting offset in the bridge is a measure of the concentration of oxygen in the sample gas.

Because the microflow sensor is located in the reference gas flow, the measurement is not influenced by the thermal conductivity, the specific heat or the internal friction of the sample gas. Additionally, the microflow sensor is protected through this arrangement from corrosion caused by the sample gas.

Further information

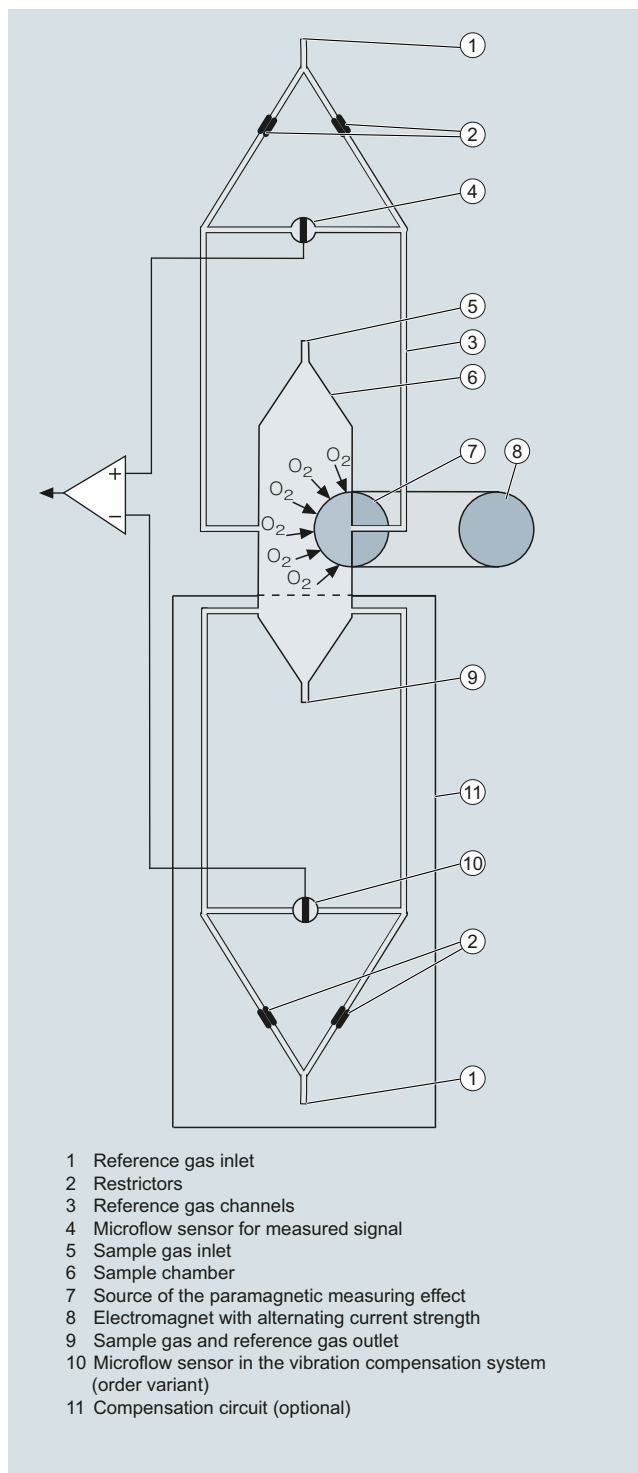
The oscillating magnetic field (8) means that the basic flow at the microflow sensor is not detected. The measurement is, thus, independent of the module's operating position or the position of the sample chamber.

The sample chamber is directly in the sample path and has a small volume, and the microflow sensor is a low-lag sensor. As a result, extremely short response times are realized.

Vibrations at the installation site can interfere with the measured signal (e.g. large fluctuations in the output signal). This behavior can be compensated for by a second (optional) microflow sensor (10), which functions as a vibration sensor. Since large differences in density between the sample and reference gases further amplify the undesired influence of vibration, reference gas is channeled to both the compensation microflow sensor (10) and the sample microflow sensor (4).

The sample gases must be fed into the analyzers free of dust. Condensation in the sample chambers must be prevented. Therefore, the use of gas modified for the measuring task is necessary in most application cases.

Flowing reference gas prevents the microflow sensor from being damaged and maintains the measurement capability of the module.



OXYMAT 7, principle of operation

Essential characteristics

Technical features

Depending on the reference gas, the physical zero point can be set between 0% and 100% oxygen.

- Smallest measuring spans (up to 0.5% O₂) possible
- Measuring ranges with physically suppressed zero points possible (e.g. 99.5% to 100%)
- Short response time
- Low long-term drift
- Monitoring of reference gas pressure with reference gas connection 2 500 to 5 000 hPa (abs.) (option): reference gas pressure must be 2 000 ± 150 hPa higher than the sample gas pressure.

Reference gases

Measuring range	Recommended reference gas	Reference gas connection pressure	Comments
0 to ... vol.% O ₂	N ₂	2 000 ... 4 000 hPa above sample gas pressure (max. 5 000 hPa absolute)	The reference gas flow is set automatically to 5 ... 10 ml/min (up to 20 ml/min with flow-type compensation branch)
... to 100 vol.% O ₂ (suppressed zero point with full-scale value 100 vol.% O ₂)	O ₂		
Around 21 vol.% O ₂ (suppressed zero point with 21 vol.% O ₂ within the measuring span)	Air	100 hPa with respect to sample gas pressure, which may vary by max. 50 hPa around the atmospheric pressure	

Table 1: Reference gases for OXYMAT 7

Features

- Internal pressure sensor for correction of pressure variations in sample gas in the range from 500 to 2 500 hPa (absolute)
- External pressure sensor - only with piping as the gas path - can be connected for correction of variations in the sample gas pressure up to 3 000 hPa absolute (option)
- Monitoring of reference gas (option)
- Analysis part with flow-type compensation circuit as an order variant for reducing the vibration impact at the installation site
- For sample gas path with hoses: Connection cable to the pressure sensor with hoses
- Hardware adapted to application
- Customer-specific analyzer options such as:
 - Clean for O₂ service (specially cleaned gas path)
 - Kalrez-6375 seals

Extractive continuous process gas analysis

SIPROCESS GA700

OXYMAT 7 module

Correction of zero-point error/cross-sensitivities

Accompanying gas (concentration 100 vol.%)	Zero point deviation in vol.% O ₂ absolute		
Organic gases			
Ethane C ₂ H ₆	-0.49		
Ethene (ethylene) C ₂ H ₄	-0.22		
Ethine (acetylene) C ₂ H ₂	-0.29		
1.2 butadiene C ₄ H ₆	-0.65		
1.3 butadiene C ₄ H ₆	-0.49		
n-butane C ₄ H ₁₀	-1.26		
iso-butane C ₄ H ₁₀	-1.30		
1-butene C ₄ H ₈	-0.96		
iso-butene C ₄ H ₈	-1.06		
Dichlorodifluoromethane (R12) CCl ₂ F ₂	-1.32		
Acetic acid CH ₃ COOH	-0.64		
n-heptane C ₇ H ₁₆	-2.40		
n-hexane C ₆ H ₁₄	-2.02		
Cyclo-hexane C ₆ H ₁₂	-1.84		
Methane CH ₄	-0.18		
Methanol CH ₃ OH	-0.31		
n-octane C ₈ H ₁₈	-2.78		
n-pentane C ₅ H ₁₂	-1.68		
iso-pentane C ₅ H ₁₂	-1.49		
Propane C ₃ H ₈	-0.87		
Propylene C ₃ H ₆	-0.64		
Trichlorofluoromethane (R11) CCl ₃ F	-1.63		
Vinyl chloride C ₂ H ₃ Cl	-0.77		
Vinyl fluoride C ₂ H ₃ F	-0.55		
1.1 vinylidene chloride C ₂ H ₂ Cl ₂	-1.22		
		Inert gases	
		Helium He	+0.33
		Neon Ne	+0.17
		Argon Ar	-0.25
		Krypton Kr	-0.55
		Xenon Xe	-1.05
		Inorganic gases	
		Ammonia NH ₃	-0.20
		Hydrogen bromide HBr	-0.76
		Chlorine Cl ₂	-0.94
		Hydrogen chloride HCl	-0.35
		Dinitrogen monoxide N ₂ O	-0.23
		Hydrogen fluoride HF	+0.10
		Hydrogen iodide HI	-1.19
		Carbon dioxide CO ₂	-0.30
		Carbon monoxide CO	+0.07
		Nitrogen oxide NO	+42.94
		Nitrogen N ₂	0.00
		Nitrogen dioxide NO ₂	+20.00
		Sulfur dioxide SO ₂	-0.20
		Sulfur hexafluoride SF ₆	-1.05
		Hydrogen sulfide H ₂ S	-0.44
		Water H ₂ O	-0.03
		Hydrogen H ₂	+0.26

Table 2: Zero point error due to diamagnetism or paramagnetism of some accompanying gases with reference to nitrogen at 60 °C und 1 000 hPa absolute (according to IEC 1207/3)

Conversion to other temperatures:

The deviations from the zero point listed in Table 2 must be multiplied by a correction factor (k):

- with diamagnetic gases: $k = 333 \text{ K} / (\varphi [^{\circ}\text{C}] + 273 \text{ K})$
- with paramagnetic gases: $k = [333 \text{ K} / (\varphi [^{\circ}\text{C}] + 273 \text{ K})]^2$

All diamagnetic gases have a negative deviation from zero point.

Technical specifications

The technical specifications are based on the definitions of DIN EN 61207-1.

Unless specified otherwise, the data listed below relates to the following measurement conditions:

Ambient temperature	25 °C
Atmospheric pressure	Atmospheric (approx. 1 000 hPa)
Sample gas flow	0.6 l/min (or NI/min)
Reference gas	Nitrogen
Site of installation	Vibration- and impact-free

General information

Weight: Approx. 5.5 kg (standard version)

Measuring ranges

Number of measuring ranges: Max. 4; parameters can be assigned freely

Parameters can be assigned in the measuring ranges

- Smallest possible measuring spans: 0.5%, 1%, 2% or 5% O₂
- Largest possible measuring span: 100% O₂

Gas inlet conditions

Sample gas pressure

- Standard devices with hoses: 500 ... 1 500 hPa (abs.)
- Standard devices with hoses and ext. RG pump: Atmospheric pressure ± 50 hPa
- Standard devices with pipes: 500 ... 3 000 hPa (abs.); briefly < 5 000 hPa (abs.)

• Field module

- For non-combustible gases: 500 ... 2 500 hPa (abs.)
- For combustible gases up to gas mixtures which are occasionally explosive: 800 ... 1 100 hPa (abs.)

Reference gas pressure

- High-pressure connection: 2000 hPa above sample gas pressure (within permitted reference gas pressure range 2500 to 5000 hPa, abs.)
- Low-pressure connection with external reference gas pump: 100 hPa above sample gas pressure

Pressure drop between sample gas inlet and sample gas outlet: < 100 hPa at 1 l/min

Sample gas flow: 18 ... 60 l/h (0.3 ... 1 l/min)

Sample gas temperature: 0 ... 60 °C

Sample gas humidity (rel. humidity): < 90% (condensation inside the gas path is to be avoided)

Sample chamber temperature

Standard version: Approx. 72 °C

Time response

Warm-up period at room temperature: < 2 h

Response characteristics

- Display delay T₉₀ with an electronic damping setting of 0 s and a sample gas flow of 1 NI/min: ≤ 1.9 s; ≤ 2.4 s (field module including flame arrestor)
- Dead time T₁₀: ≤ 1.1 s; < 1.6 s (field module)

Measuring response

Output signal fluctuation with static damping constant of 0 s and dynamic noise suppression of 5% / 10 s: ≤ ±0.5% of smallest measuring span (noise bandwidth corresponds to 1% = 6σ value or 0.333% = 2σ value), with vibration compensation activated: < 1.5 times the value

Detection limit: ≤ 1% of smallest measuring span according to nameplate (with vibration compensation activated: < 1.5 times the value)

Measured-value drift	
• At the zero point	≤ ±0.5% of the smallest span/month or ≤ ±50 vpm O ₂ /month, whichever is greater
• For span gas	≤ ±0.5% of the current measuring span/month or ≤ ±50 vpm O ₂ /month, whichever is greater
Repeatability	
• At the zero point	≤ ±0.5% of the smallest measuring span/month or ≤ ±50 vpm O ₂ /month, whichever is greater
• For span gas	d ≤ ±0.5% of the current measuring span/month or ≤ ±50 vpm O ₂ , whichever is greater
Linearity error with dry ambient air ¹⁾	< 0.1%
Influencing variables	
Ambient temperature	
• Deviation at zero point	≤ 0.5% of the smallest measuring span / 10 K or ≤ 50 vpm O ₂ /10 K, whichever is greater
• Deviation of the span gas	≤ 0.5% of the current measuring span / 10 K or ≤ 50 vpm O ₂ /10 K, whichever is greater
Sample gas pressure	
• Deviation at zero point	≤ 0.2% of the smallest measuring span / 1% pressure variation or ≤ 50 vpm O ₂ /1% pressure variation, whichever is greater
• Deviation of the span gas	≤ 0.2% of the current measuring span / 1% pressure variation or ≤ 50 vpm O ₂ /1% pressure variation, whichever is greater
Sample gas flow	
• Deviation at zero point	≤ 1% of smallest measuring span per 0.1 l/min change in flow or ≤ 50 vpm O ₂ per 0.1 l/min change in flow within the permissible flow range (0.3 to 1 l/min), whichever is greater
• Deviation of the span gas	≤ 1% of current measuring span per 0.1 l/min change in flow or ≤ 50 vpm O ₂ per 0.1 l/min change in flow within the permissible flow range (0.3 to 1 l/min), whichever is greater
Accompanying gases	Zero point deviation (cross-sensitivity) in accordance with Table A.1 of EN 61207-3
Supply voltage	< 0.1% of the current measuring span (within the nominal range of use)

Electrical inputs and outputs

Analog and digital interfaces: See base unit

Gas connections

Connection fittings: Pipe connection with 6 mm outer diameter

Climatic conditions

Storage and transport: -30 ... 70 °C

Permissible ambient temperature²⁾: 0 ... 50 °C

Relative humidity (RH) during storage, transport or operation: < 90% (condensation from the installed components is to be avoided)

¹⁾ Untreated ambient air contains less than 20.95% O₂ (literature value) since existing humidity of the oxygen content is decreased relatively.

²⁾ Restriction for installing together with an ULTRAMAT 7 module: 5 ... 45 °C

Extractive continuous process gas analysis

SIPROCESS GA700

OXYMAT 7 module

1

Selection and ordering data

OXYMAT 7 module

For measurement of oxygen

➤ Click on the Article No. for the online configuration in the PIA Life Cycle Portal.

Module version

Standard module (for rack mounted and wall enclosure)

Standard module for hazardous zone (for rack mounted and wall enclosure)

Field module for field housing Ex d without purging gas connections

Reference gas pressure

Low-pressure version 100 hPa (for the connection of an external pump; without pressure switch)

High pressure (2 000 ... 4 000 hPa above sample gas pressure)

High pressure (2 000 ... 4 000 hPa above sample gas pressure), with pressure switch

Smallest possible measuring span

0.5 %

1 %

2 %

5 %

Gas path

Material of gas path

Hose made of FKM (Viton)

Pipe made of stainless steel (1.4404)

Pipe made of Hastelloy C22

Material of sample chamber

Stainless steel (1.4571)

Stainless steel (1.4571)

Hastelloy C22

Material of seal

FKM (Viton)

FKM/Ex: Kalrez (6375)

Kalrez (6375)

Vibration compensation

Without

With

Version

Standard

Article No.

➤ 7MB3020-0-0-AA Cannot be combined

0

2

4

A

C

D

B

C

D

E

2

2

4

A

A

A

0

0

1

0

1

2

0

1

0

Selection and ordering data

Additional versions

Add "-Z" to Article No. and specify Order code

Settings

Kalrez (6375) seals in sample gas path

Clean for O₂ service (specially cleaned gas path)

Measuring range indication in plain text, if different from the default setting

Exclusively for measuring non-toxic sample gases

Base unit module assignment number

Order code

B04

B06

Y11

Y16

D00 ... D99

Ordering example

OXYMAT 7 module installed in wall enclosure

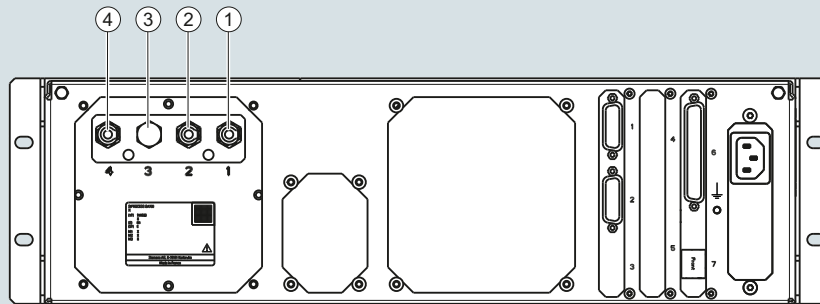
7MB3000-3CX00-1AA0-Z+D02**7MB3020-0CE00-0AA0-Z+D02**

OXYMAT 7 module and ULTRAMAT 7 installed in rack unit enclosure

7MB3000-0CB00-1AA0-Z+D05**7MB3020-0CE00-0AA0-Z+D05****7MB3010-0CA10-0AA0-Z+D05**

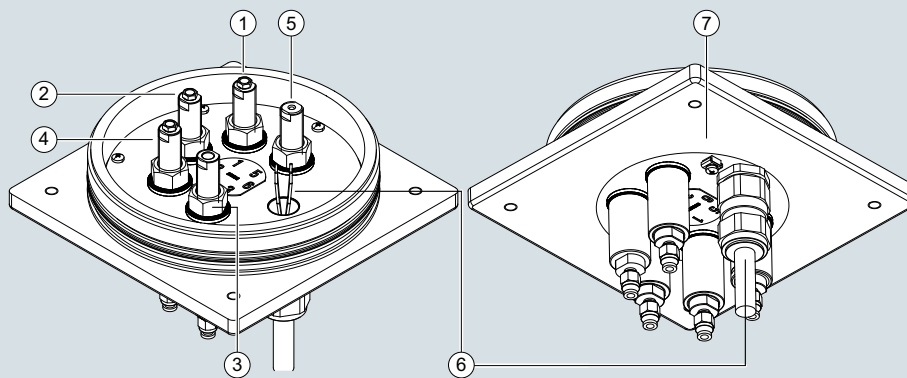
OXYMAT 7 module and wall enclosure supplied separately

7MB3000-3CX00-1AA0**7MB3020-0CE00-0AA0**

Circuit diagrams
Gas connections


- 1 Sample gas inlet
- 2 Sample gas outlet
- 3 N.C., bypass outlet for version with external reference gas pump
- 4 Reference gas inlet

Gas connections for sample gas inlet and outlet, reference gas: Fittings, 6 mm pipe diameter



- 1 Sample gas inlet
- 2 Sample gas outlet
- 3 Blanking plug or purging gas connection
- 4 Reference gas inlet
- 5 Breathing apparatus (pressure compensation coupling)
- 6 Cable bushing
- 7 Ground connection

The sample gas connections are made of stainless steel Mat. No. 1.4571 or Hastelloy Mat. No. 2.4819.
 The reference gas connection is made of stainless steel Mat. No. 1.4571.
 Gas connections are fitted with a clamping ring screw connection for 6 mm pipes.

Gas connections of the field module

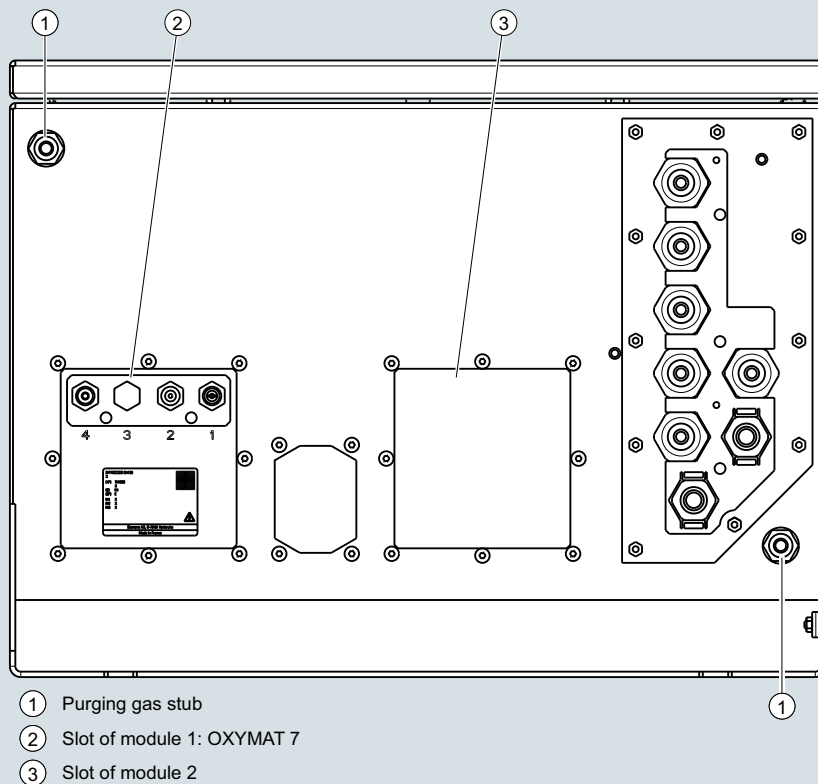
Extractive continuous process gas analysis

SIPROCESS GA700

OXYMAT 7 module

Wall-mounted device

1



Wall-mounted device, bottom