

# Regulus 3

LAB|  
line

## Specifications

### Fluid Media

non corrosive gases, oxygen and liquid gases,  
recommended for gas purity up to 5.0, not suitable  
for acetylene

### Operating Parameters

Inlet pressure  $p_v$  max.: . . . . . 20 bar (290 PSIG)

Outlet pressure  $p_h$ :

. . . . . 5-50, 10-100, 50-500 mbar  
 . . . . . (0.15-1.5, 0.3-3, 1.5-15" Hg)  
 . . . . . 0.1-1, 0.15-1.5 bar  
 . . . . . (1.5-14.5, 2.2-21.8 PSIG)

Flow capacity (l/min): . . . . . see flow curves

Operating temp.: . . . . . -20 to +70 °C  
 . . . . . for CO max. +40 °C

Weight: . . . . . 1.3 kg

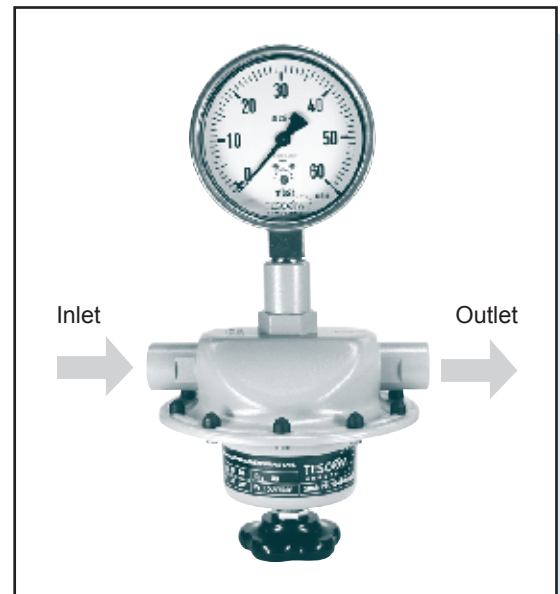
### Media contact materials

Body: . . . . . brass nickel-plated  
 Diaphragm: . . EPDM, wetted side PFEP covered  
 Seat: . . . . . NBR

### Connections

Inlet: . . . . . G $\frac{1}{2}$  inside  
 Outlet: . . . . . G $\frac{1}{2}$  inside  
 Gauge: . . . . . G $\frac{1}{2}$  inside

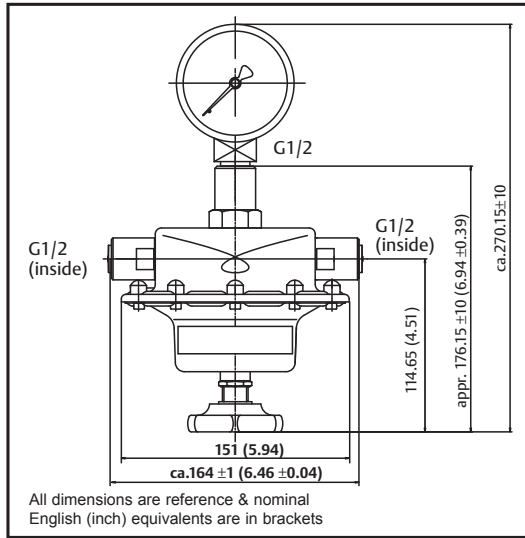
**Warning: Don't use for acetylene**



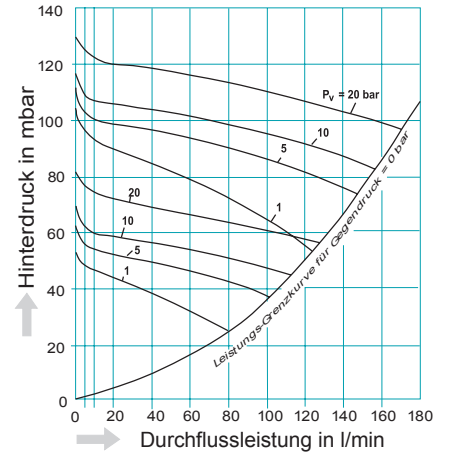
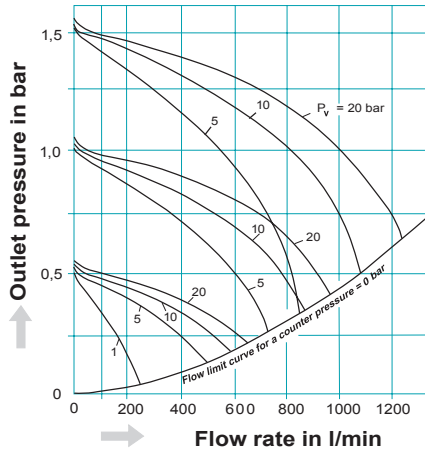
## Advantages

- Precise pressure control in the mbar range
- Accurate and dependable regulation
- Positive shut-off seal

# Regulus 3



## Flow Curves



## Part Number Selector

Example Part Number:

**D50708 - 0050 - 12 - M**

BASIC SERIES	PRESSURE RANGE	CONNECTION (INLET-OUTLET)	PROPERTY
D50708	0050 - 50 mbar 0100 - 100 mbar 0500 - 500 mbar 1000 - 1 bar 1500 - 1,5 bar	00 - none 08 - Screw fitting G½, 8 mm, Brass 10 - Screw fitting G½, 10 mm, Brass 12 - Screw fitting G½, 12 mm, Brass	ohne - without gauge with screw fitting D50367 (enclosed) M - with gauge without screw fitting D50367

## Accessories

Pos.	Part No.	Description
1	D50367	Screw fitting G½
2	7232784	Gauge Brass 100-60/50 mbar
2	7232795	Gauge Brass 100-60/50 mbar O <sub>2</sub>
2	7232785	Gauge Brass 100-160/100 mbar
2	7232796	Gauge Brass 100-160/100 mbar O <sub>2</sub>
2	7232786	Gauge Brass 100-600/500 mbar
2	7232797	Gauge Brass 100-600/500 mbar O <sub>2</sub>
2	7232787	Gauge Brass 100-1.6/1 bar
2	7232798	Gauge Brass 100-1.6/1 bar O <sub>2</sub>
2	7232788	Gauge Brass 100-2.5/1.5 bar
2	7232799	Gauge Brass 100-2.5/1.5 bar O <sub>2</sub>
3	D41604	Fitting Brass G½ - 8 mm
3	D40080	Fitting Brass G½ -10 mm
3	D40081	Fitting Brass G½ -12 mm
4	D01722	Profile packing G½
5	D13134	Wall bracket
5	D13133	Switch board (without figure)

