

Accessories for calibration technology



Your reliable partner

As a family-run business acting globally, with 8,500 highly qualified employees, the WIKA group of companies is a worldwide leader in pressure and temperature measurement. The company also sets the standard in the measurement of level and flow, and in calibration technology. Founded in 1946, WIKA is today a strong and reliable partner for all the requirements of industrial measurement technology, thanks to a broad portfolio of high-precision instruments and comprehensive services.



Calibration & service centre

WIKA offers a broad product range of calibration instruments for the physical units of measurement for pressure and temperature, and for electrical measurands. A multitude of specific patents ensure unmatched performance characteristics with many of our calibration instruments. The range of services comprises the calibration of pressure, temperature and electrical measuring instruments in our accredited DKD/DAkkS calibration laboratories and a mobile service to calibrate your instruments on site.



Contents

Pressure supply		
10 bar pressure supply package (150 psi)	Model CPK-PS10	4
40 bar pressure supply package (580 psi)	Model CPK-PS40	6
300 bar pressure supply package (4,350 psi)	Model CPK-PS300	8
400 bar pressure supply package (6,000 psi)	Model CPK-PS400	10
Vacuum supply package	Model CPK-VP	12
Pressure supply case	Model CPK-PC	14
Instrument adaptation		
Test port package, connection column, dirt trap, separator	Model CPK-TP	16
Multiple distributor	Model CPK-MD	20
Adapter	Model CPK-AD	22
Connection components		
Connecting hoses	Model CPK-HO	24
Pressure control		
Pressure manifold	Model CPK-PM	26
Cylinder pressure reducer	Model CPK-PR	28
Volume displacer		30
Calibration and adjustment tools		
Rinsing glass		32
Filling glass		32
Pointer plier		33
Tool set for CTS movement		33
Table fixing device for fine metering valve		33
Everything at a glance		34
Calibration services		36
Calibration		38
Service products		39
WIKA worldwide		40

Pressure supply package, Model CPK-PS10, $P_{\max} = 10 \text{ bar (150 psi)}$

The pressure supply package CPK-PS10 is a total package ready-to-connect (plug & play) for providing pressure to WIKA calibration instruments, adjustment benches and components. The air compressor allows working and test pressures to be generated from atmospheric pressure to 10 bar max. (150 psi).

Applications

- Pressure generation from atmospheric pressure to 10 bar (150 psi)
- Pressure provision for pressure controllers and laboratory measuring instruments for testing, calibrating and adjusting
- Working pressure supply for pressure controllers (CPC3000, CPC6000, CPC8000) for measuring ranges $\leq 10 \text{ bar (150 psi)}$
- Test pressure supply for low-pressure manifold

Components

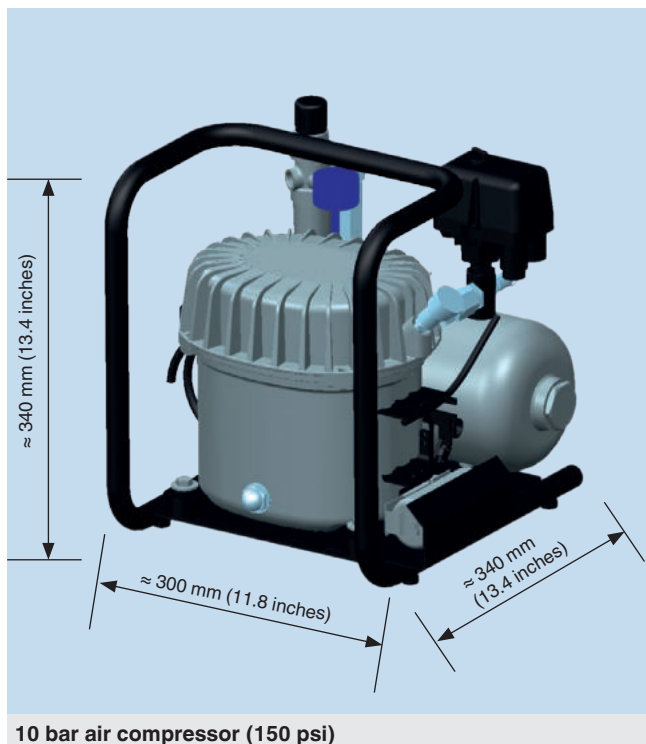
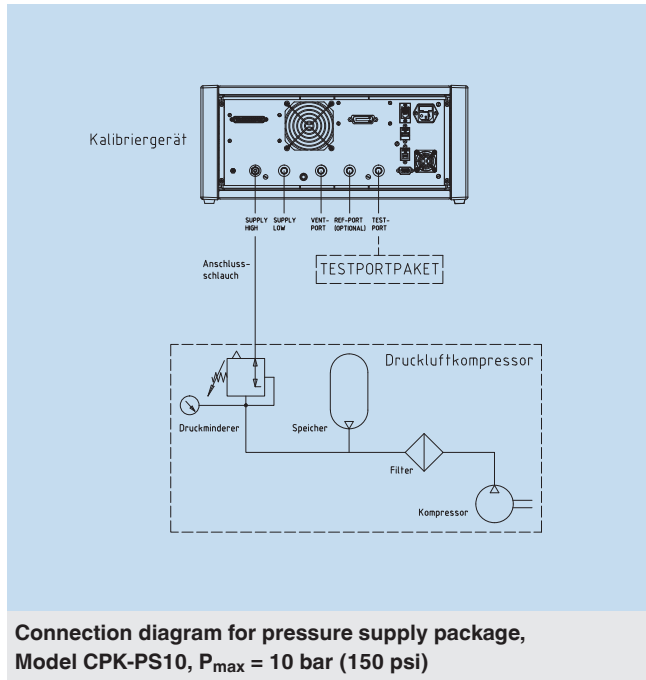
- 10 bar (150 psi) air compressor with storage tank, filter and pressure reducer
- Connecting hose with 6 mm Swagelok® union nut both sides

Supplementary individual components

- Connecting hoses
- Connection adapters
- Sealing set
- Replacement filters

Specifications

Air compressor	
Pressure range	0 ... 10 bar (150 psi)
Charging rate	32 l/min @ 8 bar (116 psi)
Sound emission	45 dB (A)
Storage volume	3.5 l
Connection air outlet	G ¼ female with adapter on 6 mm Swagelok® tube fitting
Power rating	0.34 kW
Voltage supply	AC 230 V / 50/60 Hz
Dimensions	L x W x H 340 x 300 x 340 mm (13.4 x 11.8 x 13.4 inches)
Weight	21 kg (46.3 lbs.)
Features	oil-lubricated, silent, equipped with a pressure reducer and a 0.01 µm ultra-fine filter with manual condensate drain



10 bar (150 psi) pressure supply package, model CPK-PS10

Quick order code

Field no.	Code	Version
Connecting hose (PS10-TU)		
①	1	Length 1 m (3 ft), 6 mm Swagelok® union nut both sides, P _{max} = 27 bar (390 psi)
	2	Length 2 m (6 ft), 6 mm Swagelok® union nut both sides, P _{max} = 27 bar (390 psi)
	3	Length 3 m (9 ft), 6 mm Swagelok® union nut both sides, P _{max} = 27 bar (390 psi)

Order code: CPK-PS10-P - Z - Z*

*The order code includes a 10 bar (150 psi) air compressor and the selected connecting hose

Individual components for 10 bar (150 psi) pressure supply package, model CPK-PS10

Quick order code

Field no.	Code	Version
Accessories/individual components (PS10-A)		
①	1	Connecting hose, length 1 m (3 ft), 6 mm Swagelok® union nut both sides, P _{max} = 27 bar (390 psi)
	2	Connecting hose, length 2 m (6 ft), 6 mm Swagelok® union nut both sides, P _{max} = 27 bar (390 psi)
	3	Connecting hose, length 3 m (9 ft), 6 mm Swagelok® union nut both sides, P _{max} = 27 bar (390 psi)
	4	Connection adapter G ¼ male on 6 mm Swagelok® tube fitting
	5	Sealing set: 5 PTFE sealing rings G ¼
	6	Replacement ultra-fine filter 0.01µm

Order code: CPK-PS10-AZ - Z

Pressure supply package, model CPK-PS40, $P_{\max} = 40 \text{ bar (580 psi)}$

The pressure supply package CPK-PS40 is a total package ready-to-connect (plug & play) for providing pressure to WIKA calibration instruments, adjustment benches and components. The air amplifier allows working and test pressures to be generated from an air drive pressure of 2 ... 10 bar (30 ... 150 psi) at a ratio of 1 : 4 to 40 bar (580 psi) max.

Applications

- Compressed-air increase from domestic mains pressure ($\leq 10 \text{ bar (150 psi)}$) to 40 bar (580 psi) max.)
- Pressure provision for pressure controllers and laboratory measuring instruments for testing, calibrating and adjusting
- Working pressure supply for pressure controllers (CPC3000, CPC6000, CPC8000, CPC8000-H)
- Test pressure supply for low-pressure manifolds or adjustment benches

Components

- 40 bar (580 psi) air amplifier with storage tank, filter and output pressure reducer mounted on a base plate
- Connecting hose with 6 mm Swagelok® union nut
- Pressure reducer

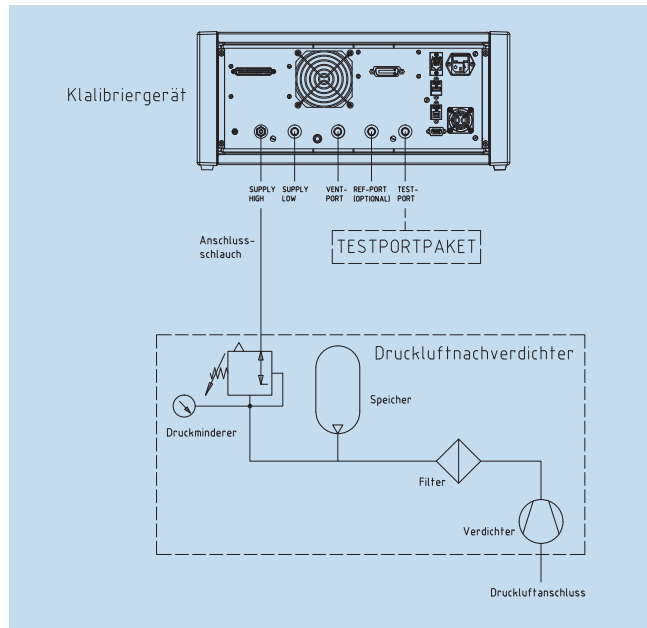
Supplementary individual components

- Connecting hoses
- Sealing set
- Noise suppression case
- Filter inserts

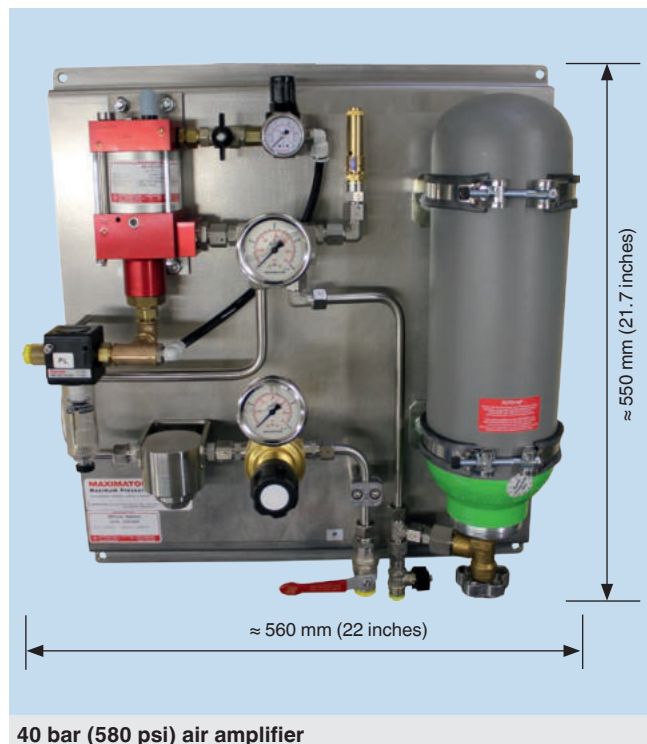
Specifications

Air amplifiers

Pressure range	0 ... 40 bar (580 psi)
Compressed-air drive	min. 2 bar (30 psi) / max. 10 bar (150 psi)
Transmission ratio	1 : 4
Sound emission	79 dB (A)
Storage volume	5 l
Connection (air drive pressure)	G 3/8 female with adapter on 6 mm Swagelok® tube fitting
Connection (pressure outlet)	G 1/4 female with adapter on 6 mm Swagelok® tube fitting
Dimensions	(L x W x H) 560 x 210 x 550 mm (22 x 8.3 x 21.7 inches)
Weight	21.9 kg (48.3 lbs.)
Features	No electrical energy required equipped with a pressure reducer and a 5 µm filter with manual condensate drain



Connection diagram for pressure supply package,
Model CPK-PS40, $P_{\max} = 40 \text{ bar (580 psi)}$



40 bar (580 psi) air amplifier

40 bar (580 psi) pressure supply package, model CPK-PS40

Quick order code

Field no.	Code	Version
Noise suppression case (PS40-NP)		
①	1	With
	Z	Without
Connecting hose (PS40-TU)		
②	1	Length 1 m (3 ft), 6 mm Swagelok® union nut both sides, P _{max} = 630 bar (9,135 psi)
	2	Length 2 m (6 ft), 6 mm Swagelok® union nut both sides, P _{max} = 630 bar (9,135 psi)
	3	Length 3 m (9 ft), 6 mm Swagelok® union nut both sides, P _{max} = 630 bar (9,135 psi)

Order code: CPK-PS40-P1 - Z - Z*

*The order code includes a 40 bar (580 psi) air amplifier, a pressure reducer and the selected connecting hose. Optionally a noise suppression case can be selected.

Individual components for 40 bar (580 psi) pressure supply package, model CPK-PS40

Quick order code

Field no.	Code	Version
Accessories/individual components (PS40-A)		
①	1	Connecting hose, length 1 m (3 ft), 6 mm Swagelok® union nut both sides, P _{max} = 630 bar (9,135 psi)
	2	Connecting hose, length 2 m (6 ft), 6 mm Swagelok® union nut both sides, P _{max} = 630 bar (9,135 psi)
	3	Connecting hose, length 3 m (9 ft), 6 mm Swagelok® union nut both sides, P _{max} = 630 bar (9,135 psi)
	4	Connecting hose for pressure reducer, length 2 m (6 ft), P _{max} = 630 bar (9,135 psi)
	5	Connection adapter G ¼ male on 6 mm Swagelok® tube fitting
	6	Connection adapter G ½ male on 6 mm Swagelok® tube fitting
	7	Sealing set: 5 Cu sealing rings each G ¾ and G ½
	8	Noise suppression case for installing the compressor station
	9	Filter insert for filter at the air inlet
	A	Filter insert for HD filter at the air outlet

Order code: CPK-PS40-AZZZ- - Z

Pressure supply package, model CPK-PS300, $P_{\max} = 300$ bar (4,350 psi)

The pressure supply package CPK-PS300 is a total package ready-to-connect (plug & play) for providing pressure to WIKA calibration instruments, adjustment benches and components. The high-pressure compressor allows you to fill a compressed-air storage cylinder from atmospheric pressure to 300 bar (4,350 psi) max. The pressure reducer assembly is used to set the working and test pressures between 5 ... 250 bar (72.5 ... 3,625 psi) from the storage cylinder.

Applications

- Pressure generation from atmospheric pressure to 300 bar (4,350 psi)
- Pressure provision for pressure controllers and laboratory measuring instruments for testing, calibrating and adjusting
- Working pressure supply for pressure controllers (CPC4000, CPC6050, CPC8000) for measuring ranges ≤ 300 bar (4,350 psi)
- Test pressure supply for high-pressure manifolds or adjustment benches

Components

- 300 bar (4,350 psi) high-pressure compressor with filter system
- Connecting hose with 6 mm Swagelok® union nut
- Compressed-air storage cylinder 6 litres / 300 bar (4,350 psi)
- Pressure reducer assembly (adjustable working pressures between 5 ... 250 bar (72.5 ... 3,625 psi)) with cylinder pressure gauge, pressure controller, output pressure gauge and shut-off valve, optionally mounted together with the storage cylinder on a stainless steel wall bracket

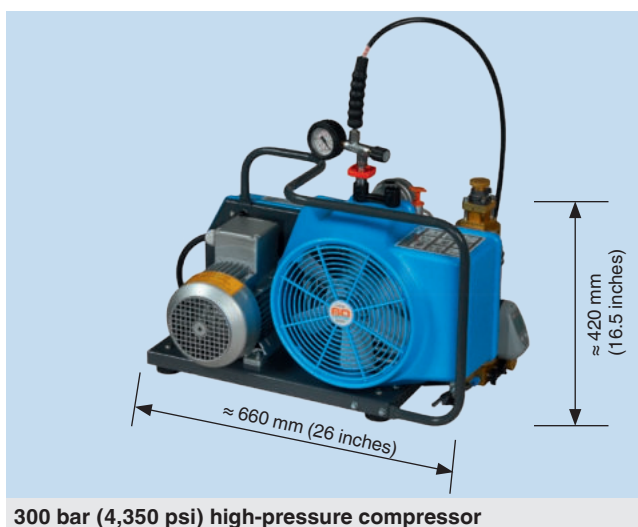
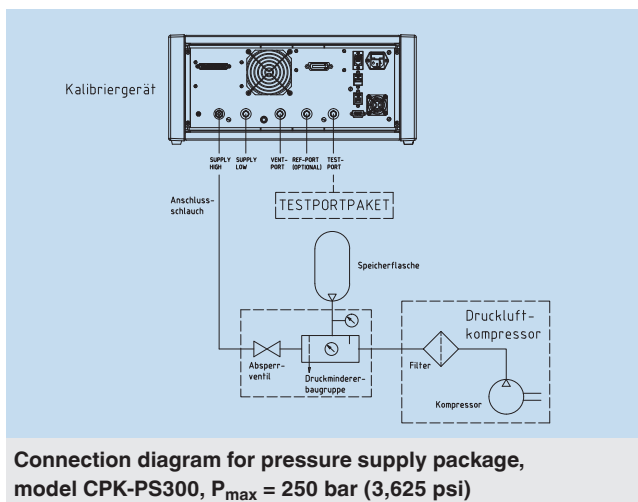
Supplementary individual components

- Connecting hoses
- Compressed-air storage cylinder
- Connection assembly
- Sealing

Specifications

High-pressure compressor

Pressure range	0 ... 300 bar (4,350 psi)
Charging rate	approx. 100 l/min
Sound emission	83 dB (A)
Connection air outlet	M16 x 1.5 male
Voltage supply	AV 230 Volt / 50 Hz
Power rating	2.2 kW
Dimensions	L x W x H 660 x 390 x 420 mm (26 x 15.4 x 16.5 inches)
Weight	46 kg (102 lbs)
Features	oil-lubricated, air-cooled, including filter system for separating oil/water condensate



Pressure accumulator assembly (optional)

Supply pressure	P_{\max} 300 bar (4,350 psi)
Output pressure (adjustable)	5 ... 250 bar (72 ... 3,625 psi)
permissible pressure medium	dry, clean air or nitrogen
Storage volume	6 l (1.32 gal)
Weight	14.8 kg (32.63 lbs)
Dimensions	L x W x H 845 x 350 x 237 mm (33.27 x 13.78 x 9.33 inches)
Pressure connections	Inlet: 6 mm tube fitting Outlet: 6 mm tube fitting

300 bar (4,350 psi) pressure supply package, model CPK-PS300

Quick order code

Field no.	Code	Version
Pressure accumulator assembly (PS300-AB)		
①	1	Compressed-air storage 300 bar (4,350 psi), 6 litres incl. wall bracket with pressure reducer assembly
	Z	Without
Connecting hose supply side (PS300-CA)		
②	1	Length 1 m (3 ft), M16 x 1.5 female, 6 mm Swagelok® union nut, P _{max} = 300 bar (4,350 psi)
	2	Length 2 m (6 ft), M16 x 1.5 female, 6 mm Swagelok® union nut, P _{max} = 300 bar (4,350 psi)
	3	Length 3 m (9 ft), M16 x 1.5 female, 6 mm Swagelok® union nut, P _{max} = 300 bar (4,350 psi)
Connecting hose outlet side (PS300-CR)		
③	1	Length 1 m (3 ft), M16 x 1.5 female, 6 mm Swagelok® union nut, P _{max} = 630 bar (9,135 psi)
	2	Length 2 m (6 ft), M16 x 1.5 female, 6 mm Swagelok® union nut, P _{max} = 630 bar (9,135 psi)
	3	Length 3 m (9 ft), M16 x 1.5 female, 6 mm Swagelok® union nut, P _{max} = 630 bar (9,135 psi)

Order code: CPK-PS300-P ① ② ③ - Z - Z*

*The order code includes a 300 bar (4,350 psi) high-pressure compressor and the selected connecting hoses. Optionally a pressure accumulator assembly can be selected.

Individual components for 250 bar (3,625 psi) pressure supply package, model CPK-PS300

Quick order code

Field no.	Code	Version
Accessories/individual components (PS300-A)		
①	1	Connecting hose supply side, length 1 m (3 ft), M16 x 1.5 female, 6 mm Swagelok® union nut, P _{max} = 300 bar (4,350 psi)
	2	Connecting hose supply side, length 2 m (6 ft), M16 x 1.5 female, 6 mm Swagelok® union nut, P _{max} = 300 bar
	3	Connecting hose supply side, length 3 m (9 ft), M16 x 1.5 female, 6 mm Swagelok® union nut, P _{max} = 300 bar (4,350 psi)
	4	Connecting hose outlet side, length 1 m (3 ft), M16 x 1.5 female, 6 mm Swagelok® union nut, P _{max} = 630 bar (9,135 psi)
	5	Connecting hose outlet side, length 2 m (6 ft), M16 x 1.5 female, 6 mm Swagelok® union nut, P _{max} = 630 bar (9,135 psi)
	6	Connecting hose outlet side, length 3 m (9 ft), M16 x 1.5 female, 6 mm Swagelok® union nut, P _{max} = 630 bar (9,135 psi)
	7	Compressed-air storage 300 bar (4,350 psi), 6 litres (1.32 gal)
	8	Connection assembly including pressure reducer, pressure gauge, shut-off valve and connecting hose to the pressure accumulator
	9	Seal for M16 x 1.5

Order code: CPK-PS300-AZZZ- ① - Z

Pressure supply package, model CPK-PS400, $P_{\max} = 400 \text{ bar}$ (6,000 psi)

The pressure supply package CPK-PS400 is a total package ready-to-connect (plug & play) for providing pressure to WIKA calibration instruments, adjustment benches and components. The compressor station allows you to generate working and test pressures of up to 400 bar (6,000 psi) from an initial pressure of 7 ... 15 bar (102 ... 218 psi) (e.g. from a nitrogen cylinder) by means of an air drive pressure of 1 ... 6.5 bar (14.5 ... 95 psi).

Applications

- Compressed-air increase from test air (7 ... 15 bar) (102 ... 218 psi) to 400 bar (6,000 psi)
- Pressure provision for pressure controllers and laboratory measuring instruments for testing, calibrating and adjusting
- Working pressure supply for pressure controllers (CPC8000) for measuring ranges $\leq 400 \text{ bar}$ (6,000 psi)
- Test pressure supply for high-pressure manifolds or adjustment benches

Components

- 400 bar (6,000 psi) high-pressure compressor station with tubular accumulator, filter and output pressure reducer, mounted on a stainless steel rack
- Connecting hose with 6 mm Swagelok® union nut
- Optional pressure reducer for test air (nitrogen)
- Optional screw compressor for drive air

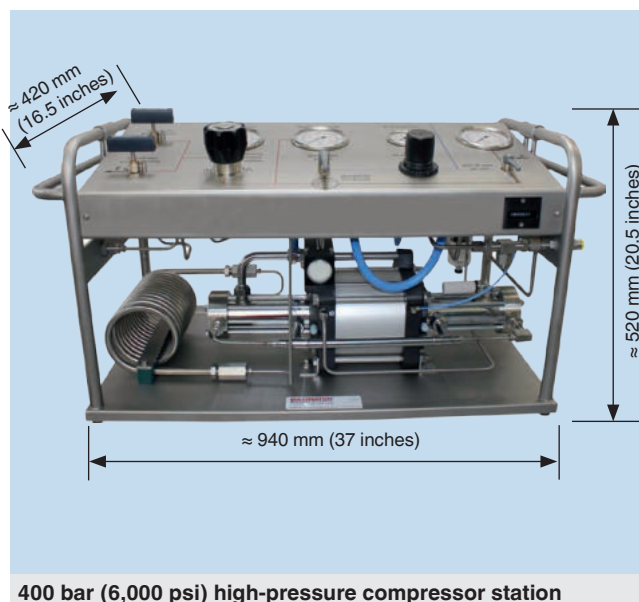
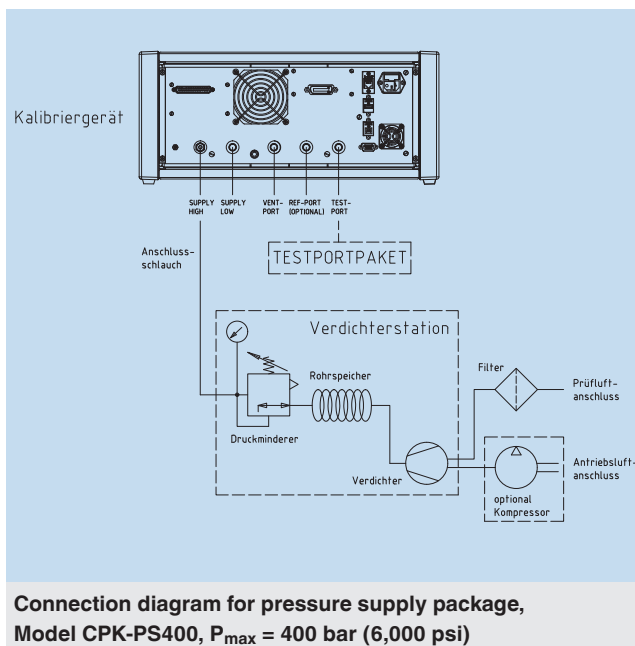
Supplementary individual components

- Connecting hoses
- Silencer box
- Filter insert set
- Sealing set
- Connection adapters

Specifications

High-pressure compressor station

Pressure range	0 ... 400 bar (6,000 psi)
Compressed-air drive	min. 1 bar (14.5 psi)/ max. 6.5 bar (95 psi)
Initial pressure (test air)	7 ... 15 bar (100 ... 215 psi)
Operating medium	Nitrogen
Transmission ratio	1 : 15 / 1 : 75
Sound emission	79 dB (A)
Storage volume	approx. 0.2 l (tubular accumulator)
Connection (air drive pressure)	G ½ female with adapter on 6 mm Swagelok® tube fitting
Connection (test air)	G ¼ female with adapter on 6 mm Swagelok® tube fitting
Connection (pressure outlet)	9/16-18 UNF with adapter on 6 mm Swagelok® tube fitting
Dimensions	L x W x H 940 x 420 x 520 mm (37 x 16.5 x 20.5 inches)
Weight	51 kg (136.6 lbs.)
Features	No electrical energy required, equipped with a pressure reducer and a 10 µm filter



400 bar (6,000 psi) pressure supply package, model CPK-PS400

Quick order code

Field no.	Code	Version
Pressure supply for drive air (PS400-SU)		
①	1	Screw compressor
	Z	Without
Connecting hose outlet side (PS400-TU)		
②	1	Length 1 m (3 ft), 6 mm Swagelok® union nut both sides, P _{max} = 630 bar (9,135 psi)
	2	Length 2 m (6 ft), 6 mm Swagelok® union nut both sides, P _{max} = 630 bar (9,135 psi)
	3	Length 3 m (9 ft), 6 mm Swagelok® union nut both sides, P _{max} = 630 bar (9,135 psi)
Silencer box (PS400-NP)		
③	1	With
	Z	Without

Order code: CPK-PS400-PZ ① ② ③ - Z -Z*

*The order code includes the high-pressure compressor station and the selected connecting hose. Optionally a screw compressor for the pressure supply of the drive air and a silencer box can be selected. A pressure reducer for the test air is available via the model CPK-PR.

Individual components for 400 bar (6,000 psi) pressure supply package, model CPK-PS400

Quick order code

Field no.	Code	Version
Accessories/individual components (PS400-A)		
①	1	Connecting hose outlet side, length 1 m (3 ft), 6 mm Swagelok® union nut both sides, P _{max} = 630 bar (9,135 psi)
	2	Connecting hose outlet side, length 2 m (6 ft), 6 mm Swagelok® union nut both sides, P _{max} = 630 bar (9,135 psi)
	3	Connecting hose outlet side, length 3 m (9 ft), 6 mm Swagelok® union nut both sides, P _{max} = 630 bar (9,135 psi)
	4	Connection adapter G ½ B male on 6 mm Swagelok® union nut
	5	Connection adapter G ¼ male on 6 mm Swagelok® tube fitting
	6	Silencer box
	7	Filter insert set for initial pressure and high pressure and filter for drive air
	8	Sealing set: 5 Cu sealing rings each G ¼ and G ½ and 5 sealing rings each G ¼ for pressure outlet
	9	Connection adapter for pressure outlet 9/16-18UNF on 6 mm Swagelok® tube fitting

Order code: CPK-PS400-AZZZZ- ① - Z

Vacuum pressure supply package, model CPK-VP

The vacuum pressure supply package CPK-VP is a total package ready-to-connect (plug & play) for providing vacuum to WIKA calibration instruments, adjustment benches and components, consisting of an electric vacuum pump and matching connecting hoses. Depending on the application, you can choose between two vacuum pumps that differ with respect to their nominal pumping speed.

Applications

- Vacuum generation
- Vacuum provision for laboratory measuring instruments, pressure manifolds and test benches for testing, calibrating and adjusting
- Vacuum provision for pressure controllers (CPC3000, CPC6000, CPC8000) with absolute-pressure measuring ranges or bidirectional measuring ranges

Components

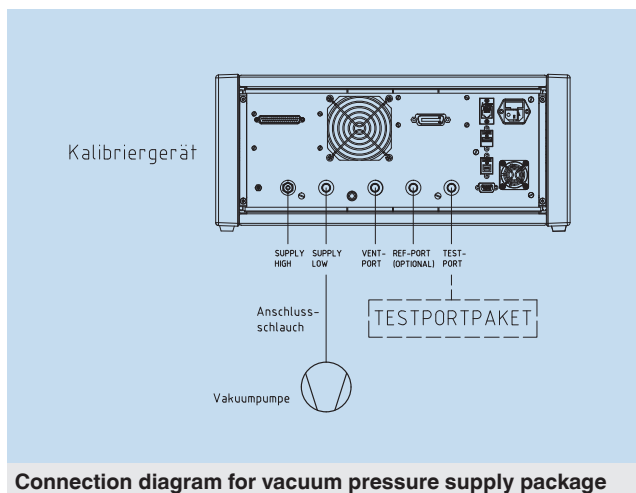
- “Laboratory series” or “industrial series” vacuum pump
- Corrugated vacuum hose or pneumatic hose incl. adapter

Supplementary individual components

- Corrugated vacuum hoses
- Pneumatic hoses
- Adapters
- Clamping and centring rings
- Vacuum oil
- Oil mist filter insert incl. seals

Specifications

	“Laboratory series” vacuum pump	“Industrial series” vacuum pump
Construction	Two-stage rotary vane pump, oil-lubricated	Two-stage diaphragm pump, dry-compressing
Nominal pumping speed	14 m ³ x h-1	1.2 m ³ x h-1
Final total pressure	5 x 10 ⁻⁴ mbar (7 x 10 ⁻⁴ psi)	8 mbar (0.116 psi)
AC motor	AC 230 V, 50 Hz	
Motor power	0.45 kW	0.12 kW
Connection	DN25 ISO-KF with adapter on 6 mm Swagelok® tube fitting	G ¼ female with adapter on 6 mm Swagelok® tube fitting
Dimensions in mm	L x W x H 462 x 164 x 240 mm (18.2 x 6.5 x 9.4 inches)	L x W x H 312 x 154 x 207 mm (12.2 x 6.1 x 8.1 inches)
Weight	27 kg (59.5 lbs)	9.3 kg (20.5 lbs)



Vacuum pressure supply package, model CPK-VP

Quick order code for complete vacuum pressure supply package

Field no.	Code	Version
Package (VP-PKG)		
①	I	"Industrial series" vacuum pump, intake volume: 1.2 m ³ /h, adapter G ¼ male on 6 mm Swagelok® tube fitting
	L	"Laboratory series" vacuum pump, intake volume: 15 m ³ /h, adapter DN25 on 6 mm Swagelok® tube fitting
Connecting hose (VP-CH)		
②	1	Corrugated vacuum hose, length 1 m (3 ft), DN25, incl. adapter on 6 mm Swagelok®
	2	Corrugated vacuum hose, length 1 m (3 ft), DN16, incl. adapter on 6 mm Swagelok®
	3	Pneumatic hose, length 1 m (3 ft), 6 mm Swagelok® union nut both sides, P _{max} = 27 bar (390 psi)
	4	Pneumatic hose, length 2 m (6 ft), 6 mm Swagelok® union nut both sides, P _{max} = 27 bar (390 psi)
	5	Pneumatic hose, length 3 m (9 ft), 6 mm Swagelok® union nut both sides, P _{max} = 27 bar (390 psi)

Order code: CPK-VP- ① ② - Z - Z*

*The order code includes the selected vacuum pump and optionally a corrugated vacuum hose or pneumatic hose.

Individual components for vacuum pressure supply package, model CPK-VP

Quick order code for supplementary individual components for the vacuum pressure supply package

Field no.	Code	Version
Accessories/individual components (VP-A)		
①	1	Adapter G ¼ male on 6 mm Swagelok®
	2	Adapter KF25 on 6 mm Swagelok®
	3	KF25C clamping ring
	4	KF25 centring ring
	5	Adapter KF16 on 6 mm Swagelok®
	6	KF16C clamping ring
	7	KF16 centring ring
	8	Clamping ring for union nut
	9	Vacuum oil 2 l for "laboratory series" vacuum pump
	A	Oil mist filter insert incl. replacement seals for "laboratory series" vacuum pump
	B	Corrugated vacuum hose, length 1 m (3 ft), DN25
	C	Corrugated vacuum hose, length 1 m (3 ft), DN16
	D	Corrugated vacuum hose for extension, length 1 m (3 ft), DN25 incl. adapter
	E	Corrugated vacuum hose for extension, length 1 m (3 ft), DN16 incl. adapter
F	Pneumatic hose, length 1 m (3 ft), 6 mm Swagelok® union nut both sides, P _{max} = 27 bar (390 psi)	
G	Pneumatic hose, length 2 m (6 ft), 6 mm Swagelok® union nut both sides, P _{max} = 27 bar (390 psi)	
H	Pneumatic hose, length 3 m (9 ft), 6 mm Swagelok® union nut both sides, P _{max} = 27 bar (390 psi)	

Order code: CPK-VP-AZ- ① - Z

Pressure supply case, model CPK-PC

The transportable pressure supply case CPK-PC is used for on-site pressure provision. The pressure supply case is available in a low-pressure and high-pressure version and is equipped with a 2-litre nitrogen cylinder, a precision pressure reducer with self-venting, an inlet and output pressure gauge, overpressure protection, two test connections, fine metering valves as well as a filling hose.

Applications

- Adjustment and calibration of pressure measuring instruments on site
- Pressure provision for pressure controllers (CPC3000, CPC6000 and CPC8000)

Components

- Pressure supply case
- Filling hose

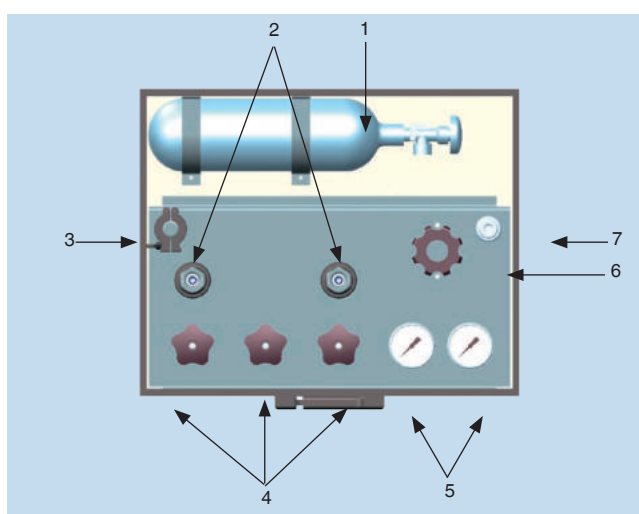
Supplementary individual components

- Clamping and centring rings
- Threaded inserts (see model CPK-TP)
- Replacement sealing inserts
- Removable trolley attachment



Pressure supply case with optional trolley

Controls



- 1) Storage cylinder
- 2) Test connections
- 3) Vacuum connection (DN16)
- 4) Fine metering valves

- 5) Input / output pressure gauge
- 6) Pressure reducer for working pressure
- 7) Filling connection, for filling the storage cylinder by means of the filling hose

Specifications

Pressure supply case			
Pressure range	-1 ... 35 bar (-15 ... 500 psi)	0 ... 200 bar (0 ... 3,000 psi)	-1 ... 200 bar (-15 ... 3,000 psi)
Working pressure control range	0 ... 35 bar (0 ... 500 psi)	1.7 ... 200 bar (25 ... 3,000 psi)	1.7 ... 200 bar (25 ... 3,000 psi)
Pressure accumulator	2 litres, max. 200 bar (3,000 psi)		
Connection for vacuum pump	DN16	-	DN16
Test connections	Quick-release connector M28 x 1.5 female thread, incl. changeable threaded inserts (as standard G ½ female thread)		
Dimensions	W x L x H : 520 x 420 x 220 mm (20.5 x 16.5 x 8.7 inches)		

Pressure supply case, model CPK-PC

Quick order code

Field no.	Code	Version
Measuring range (PC-MR)		
①	1	-1 ... 35 bar (-15 ... 500 psi)
	2	-1 ... 200 bar (-15 ... 3,000 psi)
	3	0 ... 200 bar (0 ... 3,000 psi)

Order code: CPK-PC-P ^① - Z - Z

Individual components for pressure supply case, model CPK-PC

Quick order code

Field no.	Code	Version
Accessories/individual components (PC-A)		
①	1	Filling hose for pressure supply case, length = 2 m (6 ft)
	2	Adapter for pressure supply case DN25 to DN16
	3	Adapter for pressure supply case 6 mm Swagelok® tube fitting to DN16
	4	KF16C clamping ring
	5	KF16 centring ring
	6	KF25C clamping ring
	7	KF25 centring ring
	8	Replacement sealing sets for low-pressure metering valve
	9	Removable trolley attachment

Order code: CPK-PC-AZ- ^① - Z

Test port package, model CPK-TP

The test port package CPK-TP is a total package ready-to-connect for adapting test items, typically, to pressure controllers of the CPC series and for reference pressure measuring instruments of the CPG series. It consists of a measuring instrument stand or a table flange, as desired, as well as a connection column, dirt trap, separator or angled connection piece. The test item is usually mounted without tools via a knurled nut using changeable threaded inserts.

Applications

- Adaptation of test items to pressure controllers and reference pressure measuring instruments
- Separator for calibrating test items with different media
- Dirt trap for avoiding impurities in the test system

Components

- Measuring instrument stand or table flange
- Connection column, dirt trap, separator or angled connection piece
- Connecting hose (see model CPK-HO)

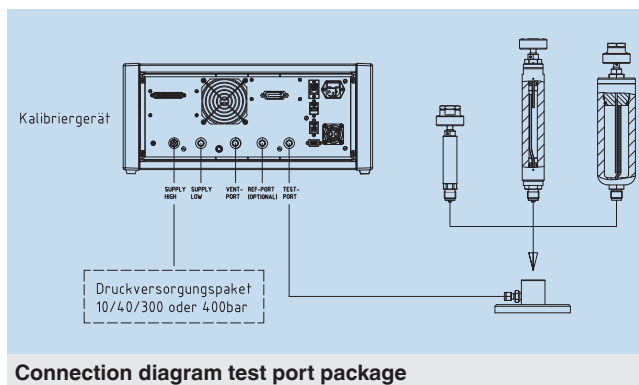
Supplementary individual components

- Threaded inserts
- Sealing sets
- Adapter sets
- Blind plugs

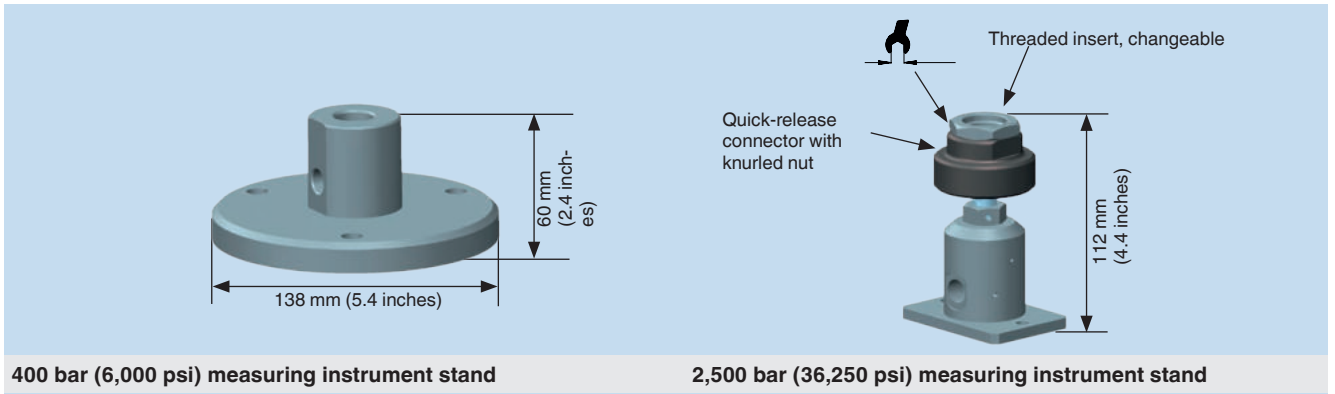
Specifications

	Measuring instrument stand		Table flange	
P_{max} ¹⁾	400 bar (6,000 psi)	2,500 bar (36,250 psi)	400 bar (6,000 psi)	1,600 bar (23,200 psi)
Pressure inlet	G ¼ female, incl. adapter on 6 mm Swagelok® tube fitting	9/16-18 UNF female	G ¼ female, incl. adapter on 6 mm Swagelok® tube fitting	9/16-18 UNF female
Pressure outlet	G ½ female	Quick-release connector M28 x 1.5 female thread, incl. changeable threaded inserts (as standard G ½ female thread)	G ½ female	

1) P_{max} refers to a single component. In combination with other components, for example hoses, the smallest admissible pressure applies

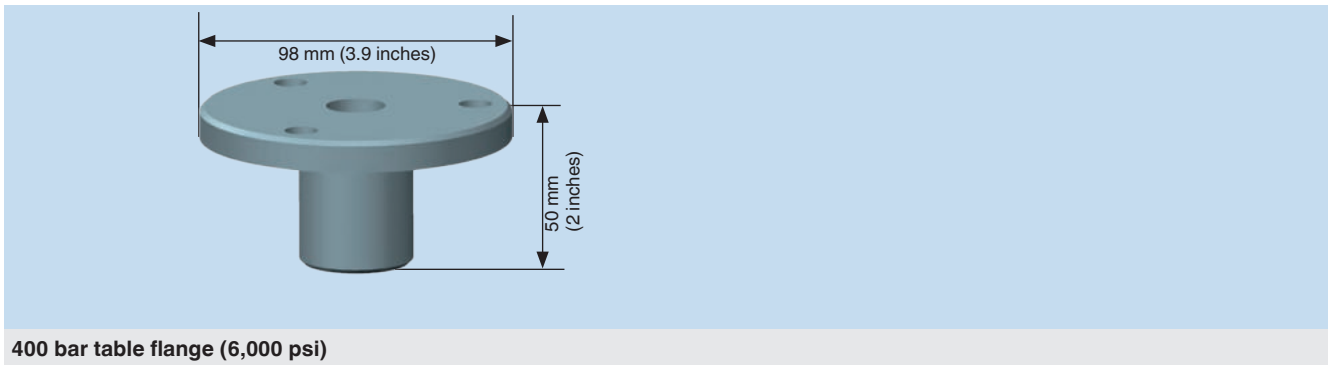


Connection diagram test port package



400 bar (6,000 psi) measuring instrument stand

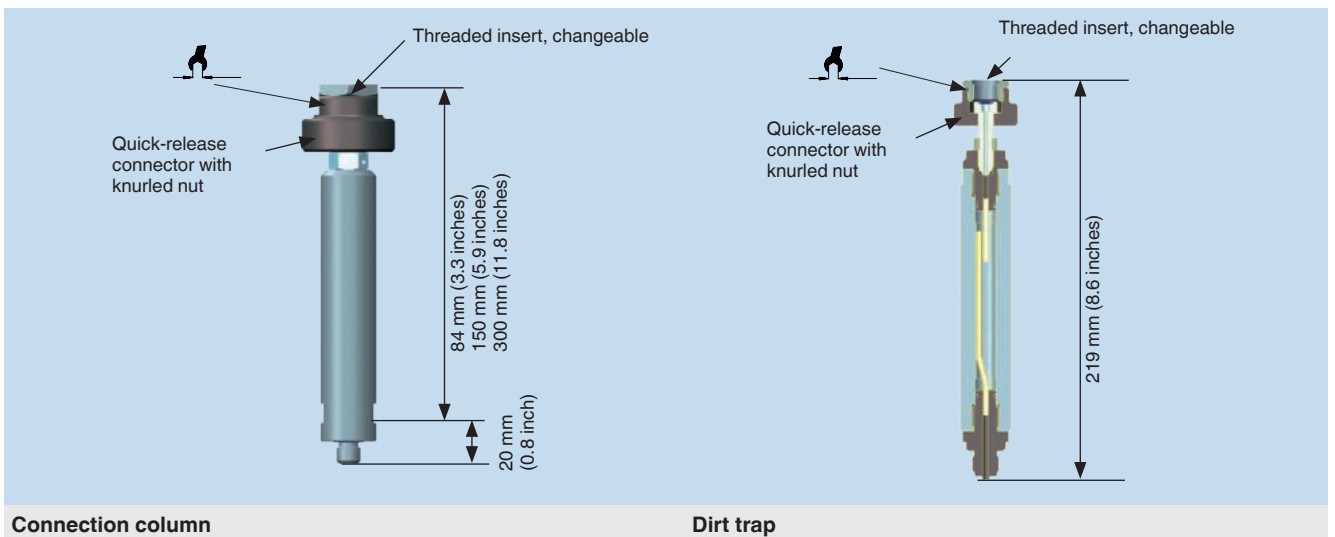
2,500 bar (36,250 psi) measuring instrument stand



400 bar table flange (6,000 psi)

	Connection column	Dirt trap	Separator without diaphragm	Separator with diaphragm
$P_{max}^{1)}$	2,500 bar (36,250 psi)	1,000 bar (14,500 psi)		1,200 bar (17,400 psi)
Pressure connection	G ½ male			
Test item connection	Quick-release connector M28 x 1.5 female thread, incl. changeable threaded inserts (as standard G ½ female thread)			G ½ female thread

1) P_{max} refers to a single component. In combination with other components, for example hoses, the smallest admissible pressure applies

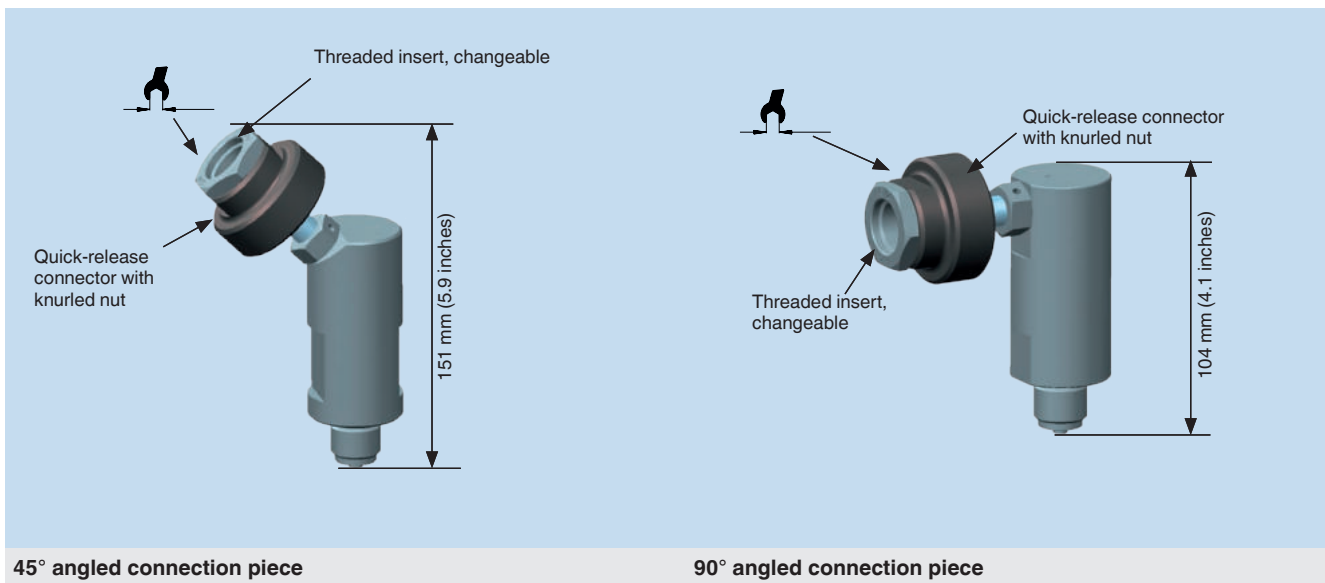
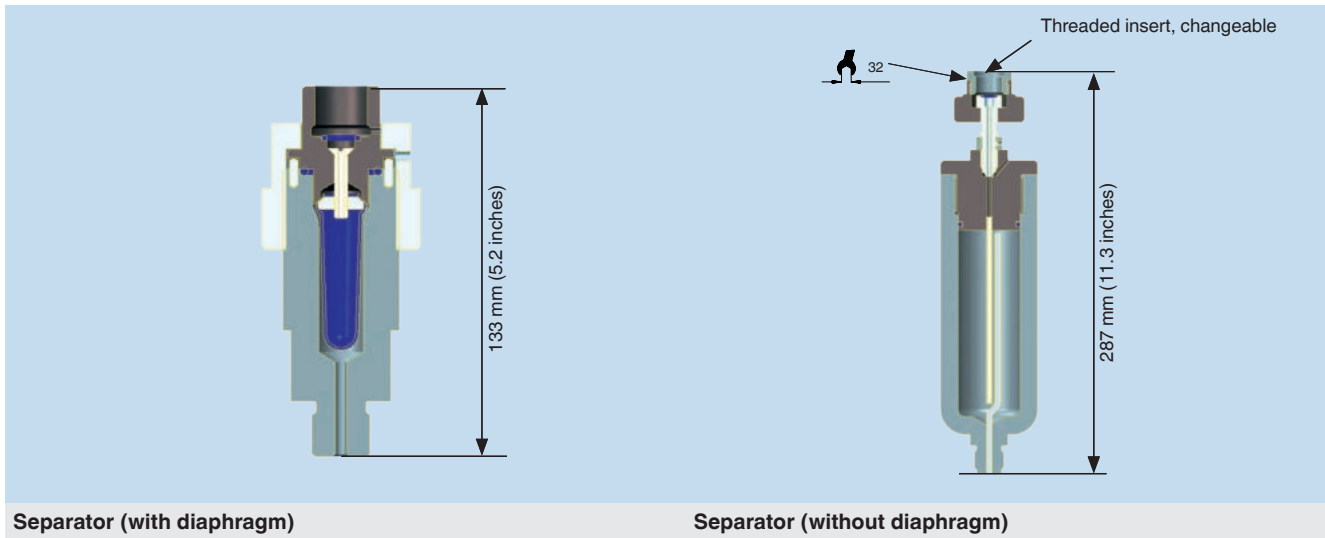


Connection column

Dirt trap

Test port package, model CPK-TP

Specifications



Test port package, model CPK-TP

Quick order code

Field no.	Code	Version
Measuring instrument stand (TP-GA)		
①	1	Measuring instrument stand, P _{max} = 400 bar (6,000 psi), incl. pressure connection adapter G ¼ on 6 mm Swagelok®
	2	Measuring instrument stand complete with connection column, P _{max} = 2,500 bar (36,250 psi), pressure connection 9/16 - 18 UNF
	3	Table flange, P _{max} = 400 bar (6,000 psi), incl. pressure connection adapter G ¼ on 6 mm Swagelok®
	4	Table flange, P _{max} = 1,600 bar (23,200 psi), pressure connection 9/16 - 18 UNF
Instrument adaptation (TP-AD)		
②	1	Connection column 84 mm (3.3 inches) incl. threaded insert G ½ female, P _{max} = 2,500 bar (36,250 psi)
	2	Connection column 150 mm (5.9 inches) incl. threaded insert G ½ female, P _{max} = 2,500 bar (36,250 psi)
	3	Connection column 300 mm (11.8 inches) incl. threaded insert G ½ female, P _{max} = 1,600 bar (23,200 psi)
	4	Dirt trap -1 ... 1,000 bar (-15 ... 14,500 psi) incl. threaded insert G ½ female, 0.2 ltr.
	5	Dirt trap -1 ... 1,000 bar (-15 ... 14,500 psi) incl. threaded insert G ½ female, 0.03 ltr.
	6	Separator (without diaphragm) incl. threaded insert G ½ female, P _{max} = 1,000 bar (14,500 psi)
	7	Separator (with diaphragm) incl. threaded insert G ½ female, P _{max} = 1,200 bar (17,400 psi)
	8	Angled connection piece 90° incl. threaded insert G ½ female, P _{max} = 2,500 bar (36,250 psi)
	9	Angled connection piece 45° incl. threaded insert G ½ female, P _{max} = 1,000 bar (14,500 psi)

Order code: CPK-TP-P- ① - ② Z - Z - Z*

*The order code includes the selected measuring instrument stand or table flange and optionally a connection column, a dirt trap, a separator or an angled connection piece. A connecting hose is available via the model CPK-HO.

Individual components for test port package model CPK-TP

Quick order code

Field no.	Code	Version
Accessories/individual components (TP-A)		
①	1	Threaded insert G ½
	2	Threaded insert G ¼ (sealing insert required for short threads)
	3	Threaded insert G ⅜ (sealing insert required for short threads)
	4	Threaded insert G ⅝
	5	Threaded insert G ¾
	6	Threaded insert ½ NPT
	7	Threaded insert G ¼ NPT (sealing insert required for short threads)
	8	Threaded insert ⅜ NPT (sealing insert required for short threads)
	9	Threaded insert ⅝ NPT (sealing insert required for short threads)
	A	Threaded insert M10 x 1 (sealing insert required for short threads)
	B	Threaded insert M12 x 1.5 (sealing insert required for short threads)
	C	Threaded insert M14 x 1.5 (sealing insert required for short threads)
	D	Threaded insert M20 x 1.5
	E	Threaded insert M20 x 1.5 LH
	F	Sealing insert for short threads with stud
	G	Sealing insert for short threads without stud
	H	O-ring set: 10 replacement seals (8 x 2) for the test connections, mat.: NBR
	I	Sealing set for separator: 1 Viton® seal ¹⁾ , 2 O-rings each 10 x 2 + 24 x 3, mat.: NBR 90
	J	Sealing set for separator: 1 butyl sealing, 2 O-rings each 10 x 2 + 24 x 3, mat.: EPDM
	K	Sealing set: 5 replacement seals G ¼ for changeable column/dirt trap
L	Adapter set for quick-release connector in case G ¼, G ⅝, ½ NPT, ¼ NPT and M20 x 1.5	
M	Adapter set "NPT" for quick-release connector in case E NPT, ¼ NPT, ⅜ NPT, and ½ NPT female	
N	Blind plug G ½, P _{max} = 2,500 bar (36,250 psi), mat.: stainless steel	

Order code: CPK-TP-AZZZ- ① - Z

1) Viton® is a registered trademark of DuPont Performance Elastomers.

Multiple distributor, model CPK-MD

The multiple distributors CPK-MD are used for mounting several test items. They are available in different versions, screw-on or stand-alone, with admissible pressure ranges between 1,600 bar (23,200 psi) and 7,000 bar (101,500 psi). The difference is that the stand-alone version has two mounting flanges and a lateral pressure connection, allowing it to be mounted on a solid surface. The screw-on version can be adapted directly to a connection column (e.g. of a dead-weight tester) or a test port package, using the pressure connection pointing downward.

Applications

- Adaptation of several test items for testing, calibrating and adjusting
- Test benches
- Adaptation to connection columns, dirt traps or separators

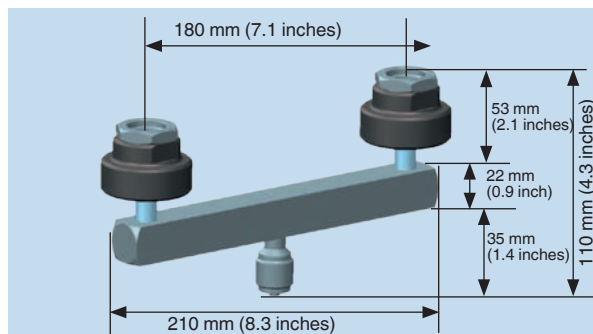
Supplementary individual components

- Connection adapters
- O-ring set
- Threaded inserts (see model CPK-TP)

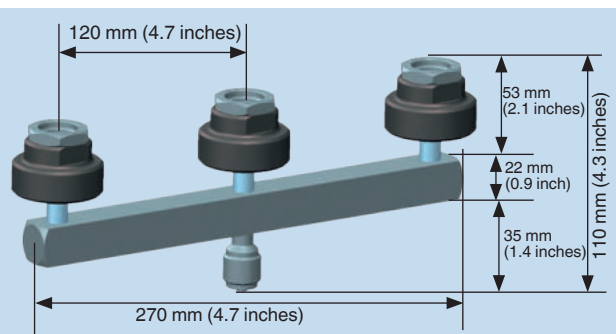
Specifications

Multiple distributor with pressure range up to 1,600 bar (23,200 psi)

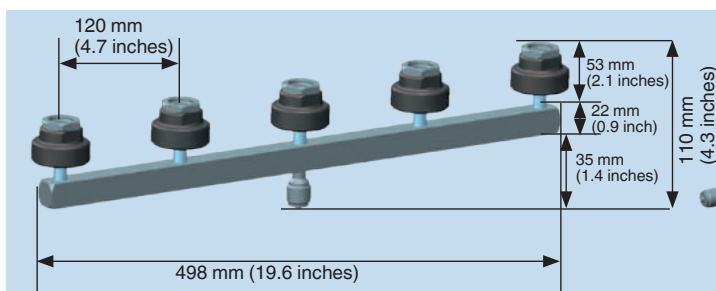
Version	Two-way distributor (screw-on)	Three-way distributor (screw-on)	Five-way distributor (screw-on)	Five-way distributor (stand-alone)
Pressure connection	G ½ male thread			
Connection location	lower mount			lateral
Test connections	Quick-release connector M28 x 1.5 female thread, incl. changeable threaded inserts (as standard G ½ female thread)			
Distance of the test connections	180 mm (7.1 inches)	120 mm (4.7 inches)		



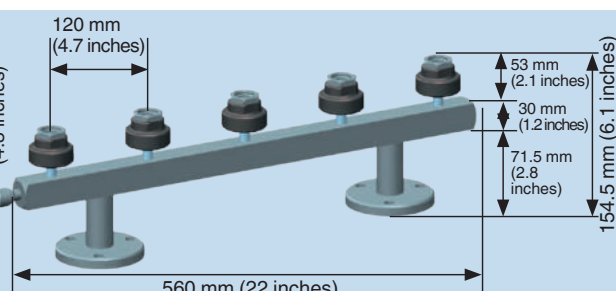
1,600 bar (23,200 psi) two-way distributor, screw-on



1,600 bar (23,200 psi) three-way distributor, screw-on



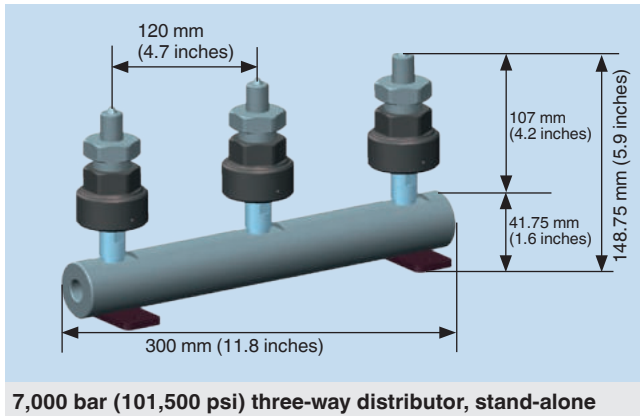
1,600 bar (23,200 psi) five-way distributor, screw-on



1,600 bar (23,200 psi) five-way distributor, stand-alone

Multiple distributor with pressure range up to 7,000 bar (101,500 psi)

Version	Three-way distributor (stand-alone)
Pressure connection	M16 x 1.5 female with sealing cone
Connection location	lateral
Test connections	Knurled nut G 3/4 incl. changeable thread adapters with sealing cone (as standard M16 x 1.5 male thread)
Distance of the test connections	120 mm (4.7 inches)



Multiple distributor, model CPK-MD

Quick order code

Field no.	Code	Version
Distributor (MD-D)		
①	1	Two-way distributor, screw-on, G 1/2 male, P _{max} = 1,600 bar (23,200 psi)
	2	Three-way distributor, screw-on, G 1/2 male, P _{max} = 1,600 bar (23,200 psi)
	3	Three-way distributor for high-pressure applications, stand-alone, M16 x 1.5 female, P _{max} = 7,000 bar (101,500 psi)
	4	Five-way distributor, screw-on, G 1/2 male, P _{max} = 1,600 bar (23,200 psi)
	5	Five-way distributor, stand-alone, G 1/2 male, P _{max} = 1,600 bar (23,200 psi)

Order code: CPK-MD-P - Z - Z

Individual components for multiple distributor, model CPK-MD

Quick order code

Field no.	Code	Version
Accessories/individual components (MD-A)		
①	1	O-ring set: 10 replacement seals (8 x 2) for the test connections, mat.: NBR
	2	Connection adapter G 1/2 female on 6 mm Swagelok® tube fitting, P _{max} = 400 bar (6,000 psi)
	3	Connection adapter G 1/2 female on Autoclave F250/HIP HF4 (Sno-Trik), P _{max} = 2,000 bar (30,000 psi)

Order code: CPK-MD-AZ - Z

Adapter, model CPK-AD

The adapters CPK-AD are designed for screwing them onto the hose ends of the connecting hoses of model CPK-HO. This allows adaptation of different calibration instruments or pressure supply components. The adapters are available in different versions matching the pressure range.

Applications

- Adapted to connecting hoses (model CPK-HO)
- Connection of different calibration instruments

Versions

Depending on the pressure range, the adapters are fitted with the following connections matching the connecting hoses of model CPK-HO:

- Vacuum: small flange DN16 or DN25 (optionally also with 6 mm Swagelok® tube fitting)
- ≤ 630 bar (9,135 psi): 6 mm Swagelok® tube fitting
- ≤ 2,000 bar (30,000 psi): Autoclave F250C/HIP HF4 (Sno-Trik)

The adapters are available in different thread sizes and types (see "Connection 2" in the quick order code).

Supplementary individual components

- MINIMESS® systems



Top: Adapter 6 mm Swagelok® on G ½ male

Bottom: Adapter 6 mm Swagelok® on G ½ female

Adapter, model CPK-AD

Quick order code for adapters

Field no.	Code	Version
Connection 1 (AD-C1)		
①	1	6 mm Swagelok® tube fitting
	2	Autoclave F250C/HIP HF4 (Sno-Trik)
Connection 2 (AD-C2)		
②	1	G ½ (only with 6 mm Swagelok® tube fitting)
	2	G ¼ (only with 6 mm Swagelok® tube fitting)
	3	G ⅙ (only with 6 mm Swagelok® tube fitting)
	4	G ⅜ (only with 6 mm Swagelok® tube fitting)
	5	½ NPT
	6	¼ NPT
	7	⅙ NPT (only with 6 mm Swagelok® tube fitting)
	8	⅜ NPT
	9	Knurled nut M28 x 1.5 incl. threaded insert G ½ (only with female connection type)
	A	Connection for pressure tapping point, MINIMESS® system, M16 x 2 G ¼ A, P _{max} = 400 bar (6,000 psi) (only with 6 mm Swagelok® tube fitting and connection type male)
	B	Connection for pressure tapping point, MINIMESS® system, M16 x 1.5 G ¼ A, P _{max} = 630 bar (9,135 psi) (only with 6 mm Swagelok® tube fitting and connection type male)
	C	M16 x 1.5 with sealing cone
	D	M20 x 1.5 with sealing cone
E	9/16-18 UNF with sealing cone	
Connection type (AD-CT)		
③	F	Female
	M	Male

Order code: CPK-AD- - Z

Adapter, MINIMESS® systems

Description	Order number
Connection for pressure transmitter, MINIMESS® system, M16 x 2 G ½ female, P _{max} = 400 bar (6,000 psi)	9072306
Connection for pressure transmitter, MINIMESS® system, M16 x 1.5 G ½ female, P _{max} = 630 bar (9,135 psi)	9072314

Connecting hoses, model CPK-HO

The connecting hoses are used for connecting calibration instruments to the pressure supply and for assembling complete calibration set-ups. The different hose types depend on the pressure range and the medium used. They are available in different lengths and different connections.

Applications

- Connection between calibration instrument and pressure supply
- Assembly of calibration and adjustment stations

Versions

The connecting hoses are available in different materials, depending on the pressure range and medium. They are available in sections up to 5 m (15 ft) max. in length and can be extended as desired by means of bulkhead fittings.

Supplementary individual components

- Threaded connections for hose extension
- Connection adapter (see model CPK-AD)



Connecting hose with 6 mm Swagelok® tube fitting both sides

Specifications

Pressure range	Material	Allowed media	Bending radius	Diameter	Connection ¹⁾
Vacuum ²⁾	Stainless steel 1.4301 and 1.4404	-	DN16: 146 mm DN25: 103 mm	DN16 DN25	Small flange DN16 / DN25
≤ 27 bar (390 psi)	Polyamide	non-aggressive gases and liquids	20 mm	Inner Ø 4 mm Outer Ø 6 mm	6 mm Swagelok® union nut
≤ 630 bar (9,135 psi)	Polyamide	non-aggressive gases and liquids	20 mm	Inner Ø 2 mm Outer Ø 5 mm	6 mm Swagelok® union nut
≤ 2,000 bar (30,000 psi)	Polyoxymethylene (POM), polyamide (PA)	non-aggressive liquids	110 mm	Inner Ø 3.4 mm Outer Ø 8 mm	Autoclave F250/HIP HF4

¹⁾ Standard connections on both ends, other connections are possible via adapters (see model CPK-AD)

²⁾ Maximum hose length 1 m (3 ft)

Connecting hoses, model CPK-HO

Quick order code

Field no.	Code	Version
Pressure range (HO-PR)		
①	2	≤ 27 bar (390 psi)
	5	≤ 630 bar (9,135 psi)
	7	≤ 2,000 bar (30,000 psi) (only possible with connections A and B: Autoclave F250C/HIP HF4 (Sno-Trik))
	V	Vacuum (only 1 m (3 ft) of hose length possible)
Hose length (HO-LE)		
②	1	0.5 m (1.5 ft) (only possible with pressure range ≤ 2,000 bar (30,000 psi))
	2	1 m (3 ft)
	3	2 m (6 ft)
	4	3 m 9 ft
	5	5 m (15 ft) (only possible with pressure range ≤ 2,000 bar (30,000 psi))
Medium (HO-MED)		
③	G	Gaseous
	H	Hydraulic
Connection A (HO-CA)		
④	1	DN25
	2	6 mm Swagelok®
	3	Autoclave F250C/HIP HF4 (Sno-Trik)
	4	DN16
Connection B (HO-CB)		
⑤	1	DN25
	2	6 mm Swagelok®
	3	Autoclave F250C/HIP HF4 (Sno-Trik)
	4	DN16

Order code: CPK-HO-P -Z -Z

Individual components for connecting hoses, model CPK-HO

Quick order code

Field no.	Code	Version
Accessories/individual components (HO-A)		
①	1	Straight screw connection on 6 mm Swagelok® tube fitting for hose extension
	2	Straight screw connection on Sno-Trik for hose extension
	3	Centring and clamping ring on DN25 for hose extension
	4	Centring and clamping ring on DN16 for hose extension

Order code: CPK-HO-AZZZZZ - -Z

Pressure manifold, model CPK-PM

The pressure manifold CPK-PM allows adjustment and calibration of pressure measuring instruments of a wide range of versions with gaseous media. It is available as a low-pressure and high-pressure version and equipped with two test connections for mounting a reference instrument and test item. Fine metering valves allow the desired pressure or vacuum to be set very precisely.

Applications

- Adjustment and calibration of pressure measuring instruments
- Holder for test item and reference instrument
- Pressure control by means of fine metering valves

Components

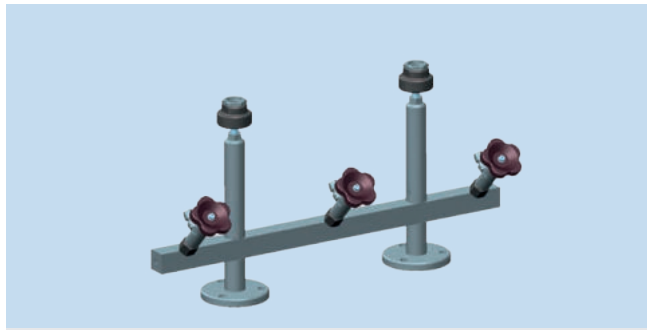
The pressure manifold is available with changeable column (1) or dirt trap (2), as desired

Changeable column

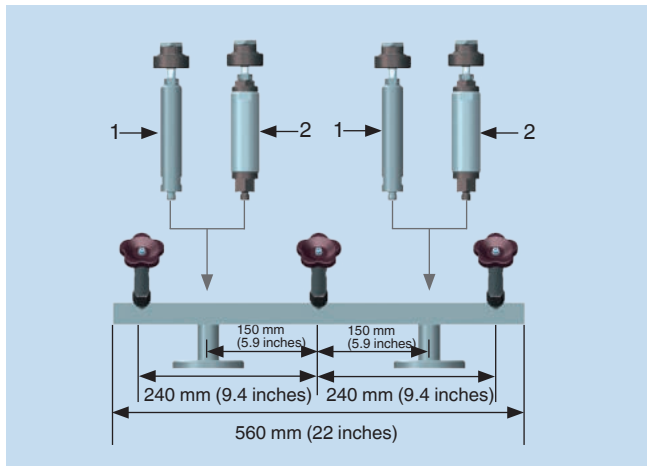
Changeable columns are used for mounting pressure measuring instruments.

Dirt trap

Using a dirt trap prevents impurities of the test item from entering the test system.



Pressure manifold with changeable columns



Pressure manifold with changeable column (1) and dirt trap (2)

Supplementary individual components

- Fine adjustment valves
- Maintenance, sealing and O-ring set
- Threaded inserts (see model CPK-TP)

Specifications

Pressure manifold

Version	-1 ... 30 bar (-15 ... 435 psi)	0 ... 30 bar (0 ... 435 psi)	-1 ... 400 bar (-15 ... 6,000 psi)
Pressure inlet	6 mm Swagelok® tube fitting		
Medium	Clean, dry, non-corrosive gases (e.g. air or nitrogen)		
Connection for changeable column	G ¼ B female thread		
Test item connection	S quick-release connector M28 x 1.5 female thread, incl. changeable threaded inserts (as standard G ½ female thread)		

Pressure manifold, model CPK-PM

Quick order code

Field no.	Code	Version
Measuring range (PM-MR)		
①	1	-1 ... 30 bar (-15 ... 435 psi)
	2	0 ... 30 bar (0 ... 435 psi)
	3	-1 ... 400 bar (-15 ... 6,000 psi)
	4	0 ... 400 bar (0 ... 6,000 psi)
Connection column right (PM-CCR)		
②	1	Changeable column
	2	Dirt trap -1 ... 400 bar (-15 ... 6,000 psi), small volume
	3	Dirt trap -1 ... 400 bar (-15 ... 6,000 psi), large volume
Connection column left (PM-CCL)		
③	1	Changeable column
	2	Dirt trap -1 ... 400 bar (-15 ... 6,000 psi), small volume
	3	Dirt trap -1 ... 400 bar (-15 ... 6,000 psi), large volume

Order code: CPK-PM-P - Z - Z

Individual components for pressure manifold, model CPK-PM

Quick order code

Field no.	Code	Version
Accessories/individual components (PM-A)		
①	1	Changeable column
	2	Dirt trap -1 ... 400 bar (-15 ... 6,000 psi), small volume: 0.03 litre
	3	Dirt trap -1 ... 400 bar (-15 ... 6,000 psi), large volume: 0.2 litre
	4	Fine adjustment valve for 30 bar pressure manifold (435 psi)
	5	Fine adjustment valve for 400 bar pressure manifold (6,000 psi)
	6	Table fixing device for 30 bar fine adjustment valve (435 psi)
	7	Maintenance set: 5 replacement seals for 30 bar fine metering valve (435 psi)
	8	O-ring set: 10 replacement seals (8 x 2) for the test connections, mat.: NBR
	9	Sealing set: 5 replacement seals G ¼ for changeable column/dirt trap
	A	Blind plug G ½, P _{max} = 2,500 bar (36,250 psi), mat.: stainless steel

Order code: CPK-PM-AZZZ- - Z

Cylinder pressure reducer, model CPK-PR

Precision pressure reducers CPK-PR are used for test pressure presetting in calibration and adjustment of pressure measuring instruments. The pressure reducers are completely fitted with inlet and output pressure gauges, connection pieces for compressed-air and nitrogen cylinders and hose connections. The pressure reducers are available in different versions, depending on the medium used, the input and output pressures and the cylinder connection.

Applications

- Pressure supply of pressure controllers (CPC3000, CPC6000 and CPC8000)
- Test pressure presetting in adjustment and calibration applications

Components

- Pressure reducer
- Input and output pressure gauge
- Adapter on 6 mm Swagelok® tube fitting



One-stage pressure reducer



Two-stage pressure reducer

Specifications

Cylinder pressure/input pressure 200 bar

Control range	0 ... 170 mbar (0 ... 2.5 psi)	0 ... 500 mbar (0 ... 7.25 psi)	0 ... 2.1 bar (0 ... 30.5 psi)	1 ... 17 bar (15 ... 247 psi)	1 ... 50 bar (15 ... 725 psi)	5 ... 200 bar (72.5 ... 3,000 psi)
Version	Two-stage with initial pressure compensation			One-stage		
Pressure outlet	E NPT female thread, incl. adapter on 6 mm Swagelok® tube fitting			¼ NPT female thread, incl. adapter on 6 mm Swagelok® tube fitting		
Pressure inlet/cylinder connection	Nitrogen cylinder: W24.32 x 1/14" to DIN 477, part 1, no. 10					
	Compressed-air cylinder: G G to DIN 477, part 1, no. 13					

Cylinder pressure/input pressure 300 bar (4,350 psi)

Control range	1 ... 17 bar (15 ... 247 psi)	1 ... 50 bar (15 ... 725 psi)	5 ... 300 bar (72.5 ... 4,350 psi)
Version	One-stage		
Pressure outlet	¼ NPT female thread, incl. adapter on 6 mm Swagelok® tube fitting		
Pressure inlet/cylinder connection	Nitrogen cylinder: W30 x 2 (15.9/20.1) to DIN 477, part 5, no. 54		
	Compressed-air cylinder: W30 x 2 (16.6/19.4) to DIN 477, part 5, no. 56		

Pressure reducer, model CPK-PR

Quick order code for pressure reducers

Field no.	Code	Version
Medium (PR-MED)		
①	C	Compressed air
	N	Nitrogen
Cylinder pressure/input pressure (PR-IP)		
②	1	200 bar (3,000 psi)
	2	300 bar (4,350 psi)
Output pressure (PR-OP)		
③	1	0 ... 170 mbar (0 ... 2.5 psi) (only possible with 200 bar cylinder pressure/input pressure)
	2	0 ... 500 mbar (0 ... 7.25 psi) (only possible with 200 bar cylinder pressure/input pressure and pressure outlet connection 1/8 NPT)
	3	0 ... 2.1 mbar (0 ... 30.5 psi) (only possible with 200 bar cylinder pressure/input pressure and pressure outlet connection 1/8 NPT)
	4	1 ... 17 bar (15 ... 247 psi) (only possible with pressure outlet connection 1/4 NPT)
	5	1 ... 50 bar (15 ... 725 psi) (only possible with pressure outlet connection 1/4 NPT)
	7	5 ... 200 bar (72.5 ... 3,000 psi) (only possible with 200 bar cylinder pressure/input pressure and pressure outlet connection 1/4 NPT)
	8	5 ... 300 bar (72.5 ... 4,350 psi) (only possible with 200 bar cylinder pressure/input pressure and pressure outlet connection 1/4 NPT)
	Pressure outlet connection (PR-COP)	
④	1	1/4 NPT female incl. adapter on 6 mm Swagelok® tube fitting
	2	1/8 NPT female incl. adapter on 6 mm Swagelok® tube fitting

Order code: CPK-PR- ^① - ^② - ^③ - Z

Volume displacer

Volume displacers are designed for fine adjustment when approaching the individual measuring points during adjustment and calibration of pressure measuring instruments.

Applications

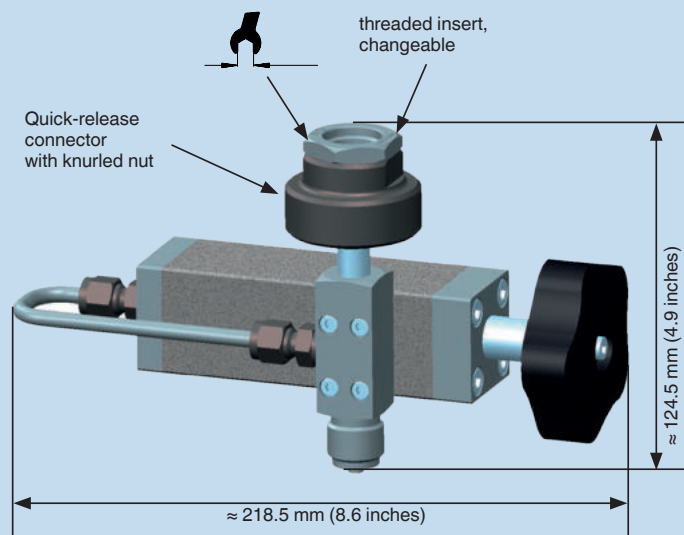
- Adjustment and calibration of pressure measuring instruments
- Fine adjustment of measuring points
- Mounted to pressure manifolds, pressure supply cases or connection columns

Special features

Volume displacers are designed for use with gaseous test media. They are fitted with a threaded connection G ½ B male. On the measuring instrument side the volume displacers are fitted with a knurled nut M28 x 1.5 and a threaded insert G ½.

Supplementary individual components

- Threaded inserts (see model CPK-TP)

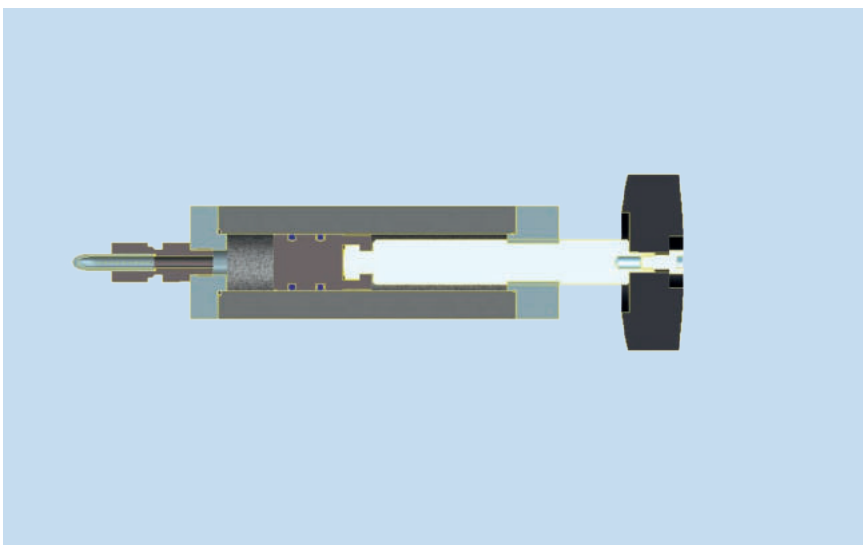


Volume displacer -1 ... 30 bar (-15 ... 435 psi)

Specifications

Volume displacer

Pressure range	-1 ... 30 bar (-15 ... 435 psi)
Pressure connection	G ½ male thread
Test connection	Quick-release connector M28 x 1.5 female thread, incl. changeable threaded inserts (as standard G ½ female thread)



Volume displacer -1 ... 30 bar (-15 ... 435 psi), sectional view

Description	Order number
Volume displacer, -1 ... 30 bar (-15 ... 435 psi)	1565419

Calibration and adjustment tools

Rinsing glass

Applications

The rinsing glass is adapted to connection adapters and changeable columns for rinsing measuring systems to remove impurities. On the pressure side it is fitted with a threaded connection G ½ B and on the measuring instrument side with a knurled nut M28 x 1.5 with changeable threaded insert G ½. P_{max} 10 bar (145 psi).



Rinsing glass

Rinsing glass-Sectional view

Order number

1564919

Filling glass

Applications

The filling glass is used for filling measuring systems with liquid testing media prior to adjustment or calibration. The liquid test medium in the filling glass is sucked into the measuring system by evacuation of the measuring system and subsequent venting. On the vacuum side it is fitted with a threaded connection G ½ male and on the measuring instrument side with a knurled nut M28 x 1.5 with changeable threaded insert G ½.



Filling glass

Order number

2040603

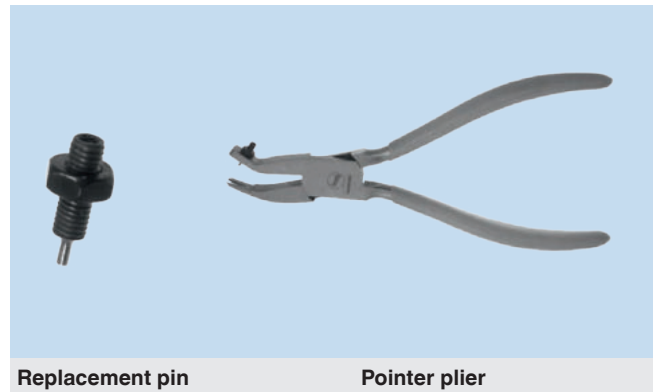
Pointer plier

Applications

The pointer pliers allow the pointers on mechanical pressure measuring instruments to be removed without electrical accessories.

Order number for pointer plier 9091823

Order number for replacement pin 1312405



Replacement pin

Pointer plier

Table fixing device for fine adjustment valves

Applications

The table fixing device is used for mounting fine adjustment valves on table tops. Alternatively, the table fixing device can be used for adapting the fine adjustment valve to a pressure manifold.

Order number 2048396

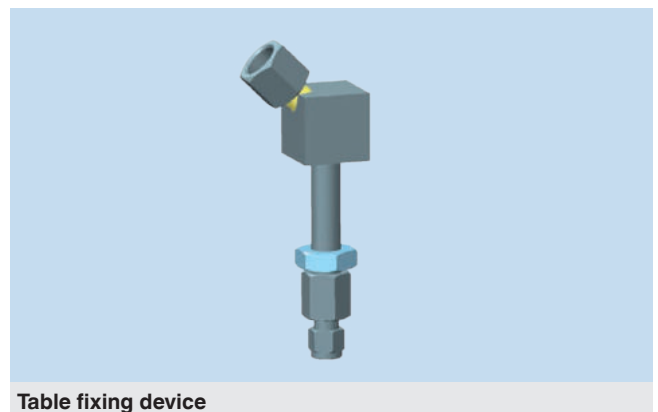


Table fixing device