

Ultra High Purity transducer, model WUD-2x

EN

Ultra High Purity Transducer, Typ WUD-2x

DE



Model WUD-20



Model WUD-25



Model WUD-26

EN	Operating instructions model WUD-2x	Page	1 - 39
DE	Betriebsanleitung Typ WUD-2x	Seite	41 - 77

© 11/2013 WIKA Alexander Wiegand SE & Co. KG
All rights reserved. / Alle Rechte vorbehalten.
WIKA® is a registered trademark in various countries.
WIKA® ist eine geschützte Marke in verschiedenen Ländern.

Prior to starting any work, read the operating instructions!
Keep for later use!

Vor Beginn aller Arbeiten Betriebsanleitung lesen!
Zum späteren Gebrauch aufbewahren!

Contents

1. General information	4
2. Design and function	5
2.1 Overview	5
2.2 Description	6
2.3 Scope of delivery	6
3. Safety	7
3.1 Explanation of symbols	7
3.2 Intended use	8
3.3 Improper use	8
3.4 Personnel qualification	9
3.5 Labelling, safety markings	10
3.6 Ex marking	11
4. Transport, packaging and storage	12
5. Commissioning, operation	14
5.1 Mechanical mounting	14
5.2 Electrical mounting	16
5.3 Menu navigation, operation	20
5.4 Setting the zero point	26
6. Faults	27
7. Maintenance and cleaning	29
8. Dismounting, return and disposal	31
9. Specifications	34
Appendix 1: EC Declaration of conformity model WUD-2x	38
Appendix 2: Control drawing 14097836	39

1. General information

1. General information

EN

- The transducer described in the operating instructions has been designed and manufactured using state-of-the-art technology. All components are subject to stringent quality and environmental criteria during production. Our management systems are certified to ISO 9001 and ISO 14001.
- These operating instructions contain important information on handling the instrument. Working safely requires that all safety instructions and work instructions are observed.
- Observe the relevant local accident prevention regulations and general safety regulations for the instrument's range of use.
- The operating instructions are part of the product and must be kept in the immediate vicinity of the instrument and readily accessible to skilled personnel at any time. Pass the operating instructions onto the next operator or owner of the instrument.
- Skilled personnel must have carefully read and understood the operating instructions prior to beginning any work.
- The general terms and conditions contained in the sales documentation shall apply.
- Subject to technical modifications.
- Further information:

2. Design and function

2. Design and function

2.1 Overview

EN



- ① Display
- ② Main key
- ③ Product label
- ④ Spanner flats
- ⑤ Process connection (depending on version)
- ⑥ Zero point adjustment
- ⑦ Down key
- ⑧ Up key
- ⑨ Status LEDs

2. Design and function

2.2 Description

The transducer is an electronic pressure measuring instrument with a digital display. The applied pressure is converted into an analogue electrical output signal. The analogue output signal is picked up through a plug connection. Using the digital display, the pressure can be read directly from the pressure measuring instrument.

Optionally 2 settable switching outputs are available.

Functions

- Analogue output signal
- 2 switching outputs (optional)
- Display
- Switching functions (hysteresis, delay (damping))
- Zero point adjustment

2.3 Scope of delivery

- Transducer
- Protection cap for process connection
- Operating instructions

Cross-check scope of delivery with delivery note.

3. Safety

3. Safety

EN

3.1 Explanation of symbols



DANGER!

... indicates a potentially dangerous situation in the hazardous area that results in serious injury or death, if not avoided.



WARNING!

... indicates a potentially dangerous situation that can result in serious injury or death, if not avoided.



CAUTION!

... indicates a potentially dangerous situation that can result in light injuries or damage to equipment or the environment, if not avoided.



Information

... points out useful tips, recommendations and information for efficient and trouble-free operation.

3. Safety

3.2 Intended use

The transducer is an electronic pressure measuring instrument for indoor use. The areas of use are industrial applications within clean rooms. Gaseous or liquid media can be measured.

Only use the transducer in applications that lie within its technical performance limits. Compatibility of the media and the materials must be checked by the operator.

→ Performance limits see chapter 9 “Specifications”.

For applications in hazardous areas

Within Class 1 Division 2 hazardous areas, only install and operate transducers with FM marking. For marking, see chapter 3.5 “Labelling, safety markings”.

The instrument has been designed and built solely for the intended use described here, and may only be used accordingly.

The manufacturer shall not be liable for claims of any type based on operation contrary to the intended use.

3.3 Improper use



WARNING!

Injuries through improper use

Improper use of the instrument can lead to hazardous situations and injuries.

- ▶ Refrain from unauthorised modifications to the instrument.
- ▶ Do not use the instrument within hazardous areas, if it is not correspondingly marked.

Any use beyond or different to the intended use is considered as improper use.

3. Safety

3.4 Personnel qualification



WARNING!

Risk of injury should qualification be insufficient

Improper handling can result in considerable injury and damage to equipment.

- ▶ The activities described in these operating instructions may only be carried out by personnel who have the qualifications described below.

Skilled electrical personnel

Skilled electrical personnel are understood to be personnel who, based on their technical training, know-how and experience as well as their knowledge of country-specific regulations, current standards and directives, are capable of carrying out work on electrical systems and independently recognising and avoiding potential hazards. The skilled electrical personnel have been specifically trained for the work environment they are working in and know the relevant standards and regulations. The skilled electrical personnel must comply with current legal accident prevention regulations.

Special knowledge for working with instruments for hazardous areas:

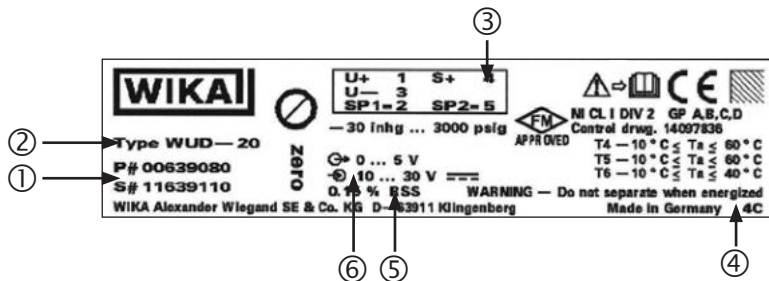
The skilled electrical personnel must have knowledge of ignition protection types, regulations and provisions for equipment in hazardous areas.



Special operating conditions require further appropriate knowledge, e.g. of aggressive media.

3. Safety

3.5 Labelling, safety markings

EN



- ① P# Product no.
S# Article no.
- ② Model
- ③ Pin assignment
- ④ Code manufacture date
- ⑤ Accuracy
- ⑥  Power supply
 Output signal

Symbols



Before mounting and commissioning the instrument, ensure you read the operating instructions!



Instruments bearing this mark comply with the relevant European directives.



FM, Factory Mutual

The instrument was inspected and certified by FM Approvals.

Instruments bearing this mark comply with the applicable US standards on safety (including explosion protection).

3. Safety

3.6 Ex marking



DANGER!

Danger to life due to loss of explosion protection

Non-observance of these instructions and their contents may result in the loss of explosion protection.

- ▶ Observe the safety instructions in this chapter and further explosionprotective instructions in these operating instructions.
- ▶ Observe the information given in the applicable type examination certificate and the relevant country-specific regulations for installation and use in hazardous areas (e.g. IEC 60079-14, NEC, CEC).

Check whether the classification is suitable for the application. Observe the relevant national regulations.

NI CL I DIV 2 Grp A, B, C, D

Marking	Designation	Significance
NI	Non-incendive	Non-incendive
CL I	Class 1	Explosive gases, vapours
DIV 2	Division 2	Temporarily hazardous
Grp A, B, C, D	Explosion groups A, B, C, D	All gases and vapours

Temperature class	Maximum permissible ambient temperature
T4	-10 ... +60 °C (14 ... 140 °F)
T5	-10 ... +60 °C (14 ... 140 °F)
T6	-10 ... +40 °C (14 ... 104 °F)

4. Transport, packaging and storage

4. Transport, packaging and storage

EN

4.1 Transport



CAUTION!

Damage through improper transport

With improper transport, damage to property can occur.

- ▶ When unloading packed goods upon delivery as well as during internal transport, proceed carefully and observe the symbols on the packaging.
- ▶ With internal transport, observe the instructions in chapter 4.2 “Packaging and storage”.

Before transport

1. Place the protection cap onto the process connection.
2. Pack the transducer in accordance with clean room specifications.
3. Protect against impacts and dropping.

After transport

- ▶ Check the transducer for any damage that may have been caused by transport. Obvious damage must be reported immediately.
- ▶ If the instrument is transported from a cold into a warm environment, the formation of condensation may result in instrument malfunction. Before putting it back into operation, wait for the instrument temperature and the room temperature to equalise.

4. Transport, packaging and storage

4.2 Packaging and storage

Do not remove packaging until within the clean room and just before mounting.

Keep the packaging as it will provide optimum protection during transport (e.g. change in installation site, sending for repair).

Permissible conditions at the place of storage:

Storage temperature: -10 ... +60 °C (14 ... 140 °F)

Humidity: 35 ... 85 % relative humidity (no condensation)

Avoid exposure to the following factors:

- Direct sunlight or proximity to hot objects
- Mechanical vibration, mechanical shock (putting it down hard)
- Soot, vapour, dust and corrosive gases

Store the instrument in its original packaging in a location that fulfils the conditions listed above. If the original packaging is not available, pack and store the instrument as described below:

1. Place the protection cap onto the process connection.
2. Pack the instrument in an antistatic plastic film in accordance with clean room specifications.
3. Place the instrument, along with the shock-absorbent material, in the packaging.
4. If stored for a prolonged period of time (more than 30 days), place a bag containing a desiccant inside the packaging.

5. Commissioning, operation

5. Commissioning, operation

EN



DANGER!

Potentially explosive atmosphere

Explosion

- ▶ Only use transmitters which are marked as suitable for use in hazardous areas.
- ▶ Before commissioning, ensure that the surrounding environment is free from any hazardous atmosphere.
- ▶ If there is any doubt, obtain a hot-working permit.

5.1 Mechanical mounting



CAUTION!

Improper mounting

Transducer is damaged.

- ▶ Remove the protection cap not until shortly before mounting.
- ▶ Protect the case from any forces being applied (e.g. lever force).
- ▶ Do not cross the threads.

Tools required

- Flats 16 and flats 19 open-ended spanner
- Screwdriver 1 ... 1.5 mm
- Scissors
- Set of hexagon wrench keys (for WUD-26)

5. Commissioning, operation

Model WUD-20, single end

- ▶ Tighten the transducer using the spanner flats.
The correct torque depends on the dimensions of the process connection and the gasket used (form/material). Observe the manufacturer's instructions for the connections.

Model WUD-25, flow through

1. Tighten the union nut hand-tight and align the instrument.
2. Tighten the union nut.

Model WUD-26, modular surface mount

- ▶ Before arc-welding, ensure the transducer is not connected to any other devices.
- ▶ Disconnect the electrical connection.
- ▶ Do not let any supply lines from the bare wire come into contact with metal surfaces.
- ▶ Minimise the current and heat impact that the transducer is subjected to.
- ▶ During the welding process, allow argon to flow through the line.
- ▶ Check the zero point and, if required, adjust it (see chapter 5.4 "Setting the zero point").

5. Commissioning, operation

5.2 Electrical mounting

EN



WARNING!
Insufficient equipotential bonding

Explosion

- ▶ The transducer must be grounded via the process connection.

For guidance on US installations, see ANSI/ISA-RP12.06.01 “Installation of Intrinsically Safe Systems for Hazardous (Classified) Locations”.

Installations in the US shall comply with the relevant requirements of the National Electrical Code® (ANSI/NFPA-70 (NEC®)).

5.2.1 Setting up a voltage supply



WARNING!
Incorrect voltage supply

Explosion

- ▶ Follow the specifications in accordance with control drawing 14097836 (see appendix).
- ▶ Do not exceed a power supply of DC 30 V.

Power supply U+

DC 10 ... 30 V with output signal 4 ... 20 mA / DC 0 ... 5 V

DC 14 ... 30 V with output signal DC 0 ... 10 V

Maximum current I_{\max}

50 mA (without switching outputs)

250 mA (with switching outputs)

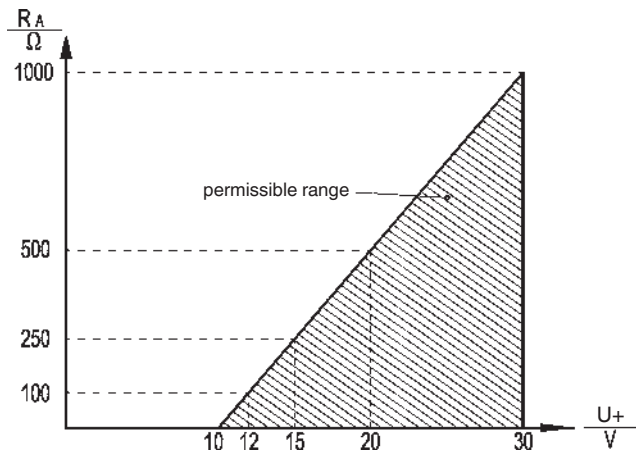
Additionally for operation in hazardous areas

$C_i = 42 \text{ nF}$ (+0.3 nF/m with cable outlet)

$L_i = 10 \text{ } \mu\text{H}$ (+2 μH /m with cable outlet)

5. Commissioning, operation

Relationship between power supply and load (R_A)



Current output (3-wire)

4 ... 20 mA:

$$R_A \leq (U_+ - 10 \text{ V}) / 0.02 \text{ A}$$

Voltage output (3-wire)

DC 0 ... 5 V: $R_A > 5 \text{ k}\Omega$

DC 0 ... 10 V: $R_A > 10 \text{ k}\Omega$

with R_A in Ω and U_+ in Volt

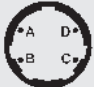


EN

5. Commissioning, operation

5.2.2 Making the electrical connection

- ▶ Screw the connector in hand-tight. The ingress protection is only ensured if the installation instructions for the seals are followed.
- ▶ Ensure that no moisture can enter at the cable end.
- ▶ The transducer must be grounded via the process connection.
- ▶ Use a shielded cable, if the line is longer than 30 m or leaves the building.
- ▶ Do not connect the cable shield on the instrument side.



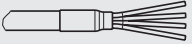
Pin assignment

	Bayonet circular connector 4-pin			Circular connector M12 x 1 4-pin			Circular connector M12 x 1 5-pin		
									
3-wire	U+ = A	U- = D	S+ = B	U+ = 1	U- = 3	S+ = 4	U+ = 1	U- = 3	S+ = 4
Switch points	-			SP1 = 2			SP1 = 2 SP2 = 5		
Wire cross-section	-			-					
Cable diameter	-			-					
Ingress protection per IEC 60529	IP 67			IP 67			IP 67		

Ingress protection only applies when plugged in using mating connectors that have the appropriate ingress protection.

5. Commissioning, operation

EN

	Sub-D HD connector 15-pin			Sub-D connector 9-pin			Cable outlet		
									
3-wire	U+ = 7	U- = 5 U- = 12	S+ = 2	U+ = 4	U- = 8 U- = 9	S+ = 1	U+ = red	U- = black	S+ = brown
Switch points	SP1 = 14 SP2 = 13			SP1 = 3 SP2 = 6			SP1 = blue SP2 = white		
Wire cross-section	-			-			0.22 mm ² (AWG 24)		
Cable diameter	-			-			4.8 mm		
Ingress protection per IEC 60529	IP 20			IP 20			IP 65		

Ingress protection only applies when plugged in using mating connectors that have the appropriate ingress protection.

- U+ Positive power supply terminal
- U- Negative power supply terminal
- S+ Signal output
- SP1 Switching output 1
- SP2 Switching output 2

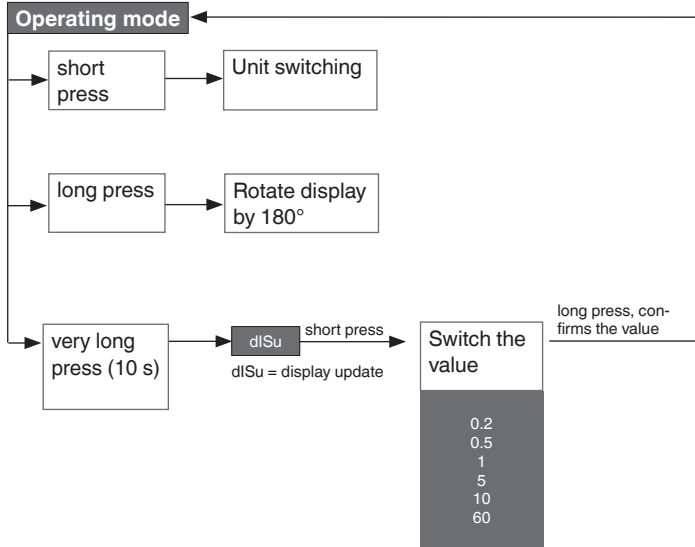
11611057.04.03/2019 EN/DE

5. Commissioning, operation

5.3 Menu navigation, operation

5.3.1 Instrument version with one key



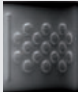

EN



If no key is pressed during one minute, then the transducer reverts back to operating mode.

5. Commissioning, operation

5.3.2 Instrument version with three keys

	Operating mode	Programming mode
Main key 		short press - Select menu item - Confirm setting
	long press Rotate display by 180°	long press - Select menu item - Confirm setting
Down key 		short press - Scroll the menu downwards - Reduce parameter value
	long press Switch to programming mode	long press - Scroll the menu downwards - Reduce parameter value
Up key 		short press - Scroll the menu upwards - Increase parameter value
		long press - Scroll the menu upwards - Increase parameter value
Up and down keys 		short press (both keys simultaneously): Switch to operating mode

EN

5. Commissioning, operation

5.3.3 Status LEDs

Instrument version with one key

A lit LED indicates power on and unit set.

Instrument version with three keys

LED (red) - Status switching output 1 (SP1)

LED (red) - Status switching output 2 (SP2)

LED (red) - Ready LED with unit

5.3.4 Parameters

Parameters	Description	Setting range	Factory setting
SP1 / SP2	Hysteresis function: Switch point, switching output (1 or 2)	Min: MBA +0.5 % Max: MBE	60 % of the measuring instrument's nominal pressure
RP1 / RP2	Hysteresis function: Reset point, switching output (1 or 2)	Min: MBA Max: SP1/SP2 -0.5 %	40 % of the measuring instrument's nominal pressure
EF	Extended programming functions		
RES	Reset to factory settings	Yes/No	
DS1 / DS2	Switch delay time, which must occur without interruption before any electrical signal change occurs (SP1 or SP2)	0 ... 50 s	0 s
DR1 / DR2	Switch delay time, which must occur without interruption before any electrical signal change occurs (RP1 or RP2)	0 ... 50 s	0 s
OU1 / OU2	Switching function, switching output (1 or 2)	OFF = always off ON = always on NO = normally open NC = normally closed	NO

5. Commissioning, operation

Parameters	Description	Setting range	Factory setting
DISU	Display update	0.2 / 0.5 / 1 / 5 / 10 / 60 s	0.2 s
DISO	Display of zero offset (The setting has no influence on the output signal. Only the display-indicated value is set.)	± 10 % of span	0 %

MBA = Start of measuring range

MBE = End of measuring range

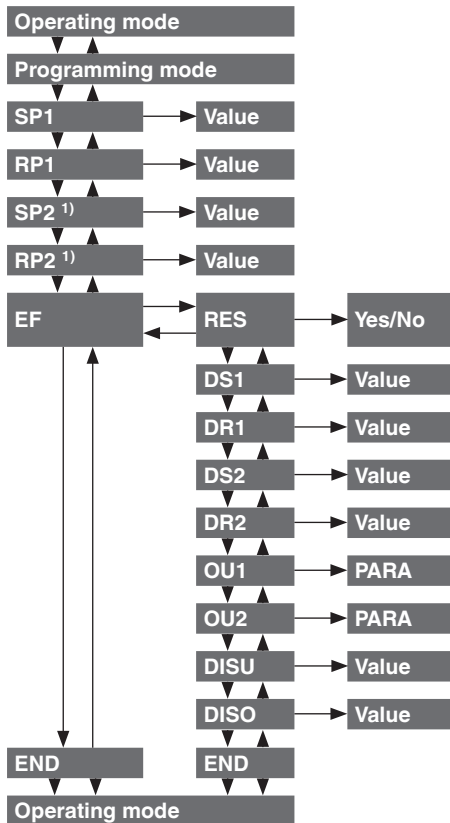
5.3.5 Error display

Error	Description
ATT	Setting lies outside the range (To acknowledge the error display, press the main key)
OL	Pressure too high, measuring range exceeded > approx. 5 % (display blinks)
UL	Pressure too low, below the measuring range < approx. 2 % (display blinks)

5. Commissioning, operation

5.3.6 Menu navigation

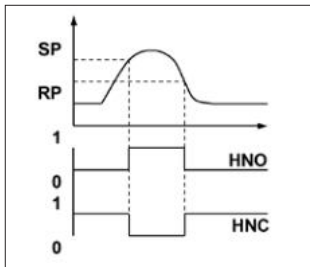
EN



5. Commissioning, operation

5.3.7 Switching functions

Hysteresis



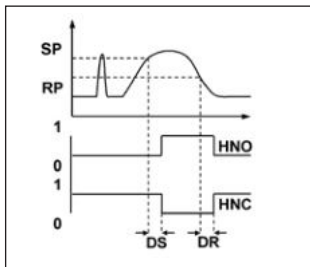
If the pressure remains below the switch point, the switching status will be maintained. If the switch point (SP) is reached, the transducer switches.

- Switching output (NO): on
- Switching output (NC): off

If, with falling pressure, the reset point (RP) is reached, the transducer switches back.

- Switching output (NO): off
- Switching output (NC): on

Delay (damping)



Short-term or high-frequency pressure spikes will be filtered (damping).

The pressure must be present for at least a certain pre-set time for the output to switch on. The output does not immediately change its status when it reaches the switching event (SP), but rather only after the pre-set delay time (DS).

If the switching event is no longer present after the delay time, the switch output does not change. The output only switches back when the pressure has fallen down to the reset point (PR) and stays at or below the reset point (RP) for at least the pre-set delay time (DR).

If the switching event is no longer present after the delay time, the switch output does not change.

5. Commissioning, operation

5.4 Setting the zero point

EN

Tools required

Screwdriver (1 ... 1.5 mm)

For instruments with absolute pressure measuring ranges or +/- ranges, appropriate calibration equipment and a vacuum pump are required.

Procedure

1. Switch the transducer to a depressurised state.
2. Connect the power supply.
3. Lift up the adhesive label.
4. Adjust zero point.
 - Rotating clockwise: shifts zero offset upwards.
 - Rotating anti-clockwise: shifts zero offset downwards.
5. Check the zero point.
6. Press the adhesive label back down.



Personnel: Skilled electrical personnel



DANGER!

Danger to life from explosion

Through working in flammable atmospheres, there is a risk of explosion which can cause death.

- ▶ Rectify faults in non-flammable atmospheres!



CAUTION!

Physical injuries and damage to property and the environment

If faults cannot be eliminated by means of the measures listed above, the instrument must be shut down immediately.

- ▶ Ensure that pressure or signal is no longer present and protect against accidental commissioning.
- ▶ Contact the manufacturer.
- ▶ If a return is needed, please follow the instructions given in chapter 8.2 "Return".

WARNING!

Physical injuries and damage to property and the environment caused by hazardous media

In the event of contact with hazardous media (e.g. oxygen, acetylene, flammable or toxic substances), harmful media (e.g. corrosive, toxic, carcinogenic, radioactive), and also with refrigeration plants and compressors, there is a danger of physical injury and damage to property and the environment.

Should a failure occur, aggressive media with extremely high temperature and under high pressure or vacuum may be present at the instrument.

- ▶ For these media, in addition to all standard regulations, the appropriate existing codes or regulations must also be followed.
- ▶ Wear the requisite protective equipment.

6. Faults



For contact details, please see chapter 1 “General information” or the back page of the operating instructions.

EN

Faults	Causes	Measures
Constant output signal upon change in pressure	Mechanical overload caused by overpressure	Replace instrument
	Power supply too high	Replace instrument
No output signal	No/wrong power supply or current pulse	Rectify the power supply
	Cable break	Replace cable
No/wrong output signal	Wiring error	Rectify the wiring
Deviating output or zero point signal	Zero point maladjusted	Adjust the zero point
Deviating zero point signal	Medium or ambient temperature too high/low	Operate the instrument within the permissible temperature range; note the permissible temperature error.
	Diaphragm damaged, corrosion at diaphragm or process connection	Replace instrument.
Signal span drops/too small	Diaphragm damaged, corrosion at diaphragm or process connection	Replace instrument.
Signal span too small	Wrong power supply	Rectify the power supply.
	Mechanical overload caused by overpressure	Calibrate the instrument

7. Maintenance and cleaning

7. Maintenance and cleaning

Personnel: Skilled electrical personnel

Protective equipment: Protective gloves, safety goggles

EN



DANGER!

Danger to life from explosion

Through working in flammable atmospheres, there is a risk of explosion which can cause death.

- ▶ Only service or clean the transducer in a non-flammable atmosphere.



For contact details, please see chapter 1 “General information” or the back page of the operating instructions.

7.1 Maintenance

The transducer is maintenance-free.

Repairs must only be carried out by the manufacturer.

7.2 Cleaning



CAUTION!

Physical injuries and damage to property and the environment

Improper cleaning may lead to physical injuries and damage to property and the environment. Residual media in the dismounted instrument can result in a risk to personnel, the environment and equipment.

- ▶ Carry out the cleaning process as described below.
- ▶ Use the requisite protective equipment.

7. Maintenance and cleaning

1. Before cleaning, correctly disconnect the instrument from the pressure supply, switch it off and disconnect it from the mains.

EN

2.



CAUTION!

Damage to property

Improper cleaning may lead to damage to the instrument!

- ▶ Do not use any aggressive cleaning agents.
- ▶ Do not use any pointed and hard objects for cleaning.

Clean the instrument with a moist cloth.

Electrical connections must not come into contact with moisture!

3. Wash or clean the dismantled instrument, in order to protect personnel and the environment from exposure to residual media.

8. Dismounting, return and disposal

8. Dismounting, return and disposal

Personnel: Skilled electrical personnel

EN



WARNING!

Physical injuries and damage to property and the environment through residual media

Residual media in the dismantled instrument can result in a risk to personnel, the environment and equipment.

- ▶ Wear the requisite protective equipment.
- ▶ Observe the information in the material safety data sheet for the corresponding medium.
- ▶ Wash or clean the dismantled instrument, in order to protect personnel and the environment from exposure to residual media.

8.1 Dismounting



DANGER!

Danger to life from explosion

Through working in flammable atmospheres, there is a risk of explosion which can cause death.

- ▶ Only dismantle the transducer in a non-flammable atmosphere.



WARNING!

Physical injury

When dismantling, there is a danger from aggressive media and high pressures.

- ▶ Wear the requisite protective equipment.
- ▶ Observe the information in the material safety data sheet for the corresponding medium.
- ▶ Only disconnect the pressure measuring instrument/measuring assembly/test and calibration installations once the system has been depressurised.

8. Dismounting, return and disposal

8.2 Return

Strictly observe the following when shipping the instrument:

All instruments delivered to WIKA must be free from any kind of hazardous substances (acids, bases, solutions, etc.) and must therefore be cleaned before being returned.



WARNING!

Physical injuries and damage to property and the environment through residual media

Residual media in the dismantled instrument can result in a risk to personnel, the environment and equipment.

- ▶ With hazardous substances, include the material safety data sheet for the corresponding medium.
- ▶ Clean the instrument, see chapter 8.7 “Cleaning”.

When returning the instrument, use the original packaging or a suitable transport packaging.

To avoid damage:

1. Wrap the instrument in an antistatic plastic film.
2. Place the instrument, along with the shock-absorbent material, in the packaging.
Place shock-absorbent material evenly on all sides of the transport packaging.
3. If possible, place a bag containing a desiccant inside the packaging.
4. Label the shipment as carriage of a highly sensitive measuring instrument.



Information on returns can be found under the heading “Service” on our local website.

8. Dismounting, return and disposal

8.3 Disposal

Incorrect disposal can put the environment at risk.

Dispose of instrument components and packaging materials in an environmentally compatible way and in accordance with the country-specific waste disposal regulations.

EN

9. Specifications

9. Specifications

EN

Specifications		Models WUD-20, WUD-25 and WUD-26										
		WUD-20 / WUD-25										
		WUD-26										
Measuring range	psi	-	30	60	100	160	250	350	500	1.000	1.500	
	bar	-	2	4	7	11	17	25	36	70	100	
Overpressure limit ¹⁾	psi	120	120	120	210	320	500	750	1.100	2.100	3.000	
Burst pressure ¹⁾	psi	1.800	1.800	1.800	2.200	2.600	4.800	6.200	7.400	8.000	10.500	
Measuring range	psi							2.000	3.000	5.000		
	bar							145	225	360		
Overpressure limit ¹⁾	psi							4.200	6.600	10.000		
Burst pressure ¹⁾	psi							10.500	10.500	10.500		
Measuring principle	Thin-film sensor											
Material												
■ Wetted parts												
- Process connection	316L stainless steel, according to SEMI F20 (option: 316L VIM/VAR)											
- Pressure sensor	2.4711 / UNSR 30003											
■ Case												
- Lower body	304 SS											
- Plastic head	PBT											
- Keyboard	TPE											
- Display cap	PC											
Inboard helium leak test	< 1 x 10 ⁻⁹ mbar l/sec (atm STD cc/sec) per SEMI F1											
Surface quality	Electropolished, typ. Ra ≤ 0.13 µm (RA 5); max. Ra ≤ 0.18 µm (RA 7) per SEMI F19											
Dead volume	WUD-20 < 1.5 cm ³ , WUD-25 < 1 cm ³ , WUD-26 < 1 cm ³											
Permissible media	Speciality gases, mist, liquids											

1) 1 psi = 0.,069 bar

11611067_04_03/2019 EN/DE

9. Specifications

Specifications	Models WUD-20, WUD-25 and WUD-26
Power supply U+	DC 10 ... 30 V with output 4 ... 20 mA / 0 ... 5 V DC 14 ... 30 V with output 0 ... 10 V
Output signal and max. permissible resistive load R _A	4 ... 20 mA, 3-wire, R _A ≤ (U+ - 10 V) / 0.02 A DC 0 ... 5 V, 3-wire, R _A > 5 kΩ DC 0 ... 10 V, 3-wire, R _A > 10 kΩ
Power P _{max}	1 W
Current consumption	max. 50 mA
Total current consumption	max. 250 mA (incl. switching current)
Adjustability of zero point	-3.5 ... +3.5 % of span (via potentiometer) current output signal -2 ... +3.5 % of span (via potentiometer) voltage output signal
Response time (10 ... 90 %)	≤ 300 ms
Switching output	
■ Switch points	individually adjustable
■ Model	Transistor switching output NPN
■ Number	1 or 2
■ Function	Normally open, normally closed, on, off
■ Switching current	SP1: max. 100 mA SP2: max. 100 mA
■ Accuracy	≤ 0.5 % of span
Insulation voltage	DC 500 V
Display	
■ Principle	7-segment LED, red, 4-digit, character size 8 mm, electronically 180° rotatable
■ Accuracy	≤ 1.0 % of span ± 1 digit
■ Update	0.2 / 0.5 / 1 / 5 / 10 / 60 s (adjustable)
Accuracy	≤ 0.15 % of span (≤ 0.4 with measuring ranges ≤ 2 bar) RSS (root sum squares) ≤ 0.3 % of span (≤ 0.6 with measuring ranges ≤ 2 bar) BFSL
Non-linearity	≤ 0.1 % of span (≤ 0.15 with measuring ranges ≤ 2 bar) (BFSL) per IEC 61298-2
Non-repeatability	≤ 0.12 % of span
Stability per year	≤ 0.25 % of span typ. (at reference conditions)

EN

9. Specifications

EN

Specifications	Models WUD-20, WUD-25 and WUD-26
Permissible temperature ranges	
■ Medium	-20 ... +100 °C (-4 ... +212 °F)
■ Ambient	-10 ... +60 °C (14 ... 140 °F)
■ Storage	-10 ... +60 °C (14 ... 140 °F)
Rated temperature range	-20 ... +80 °C (-4 ... +176 °F) (actively compensated)
Temperature coefficients in rated temperature range (actively compensated)	
■ Mean TC of zero	≤ 0.1 % of span/10 K
■ Mean TC of span	≤ 0.15 % of span/10 K
CE mark	
■ Pressure equipment directive	2014/68/EU
■ EMC directive	2014/30/EU, EN 61326 emission (group 1, class B) and interference immunity (industrial application)
■ RoHS directive	2011/65/EU
Production environment	Clean room class 5 per ISO 14644
Packaging	Double-bagged per SEMI E49.6
Shock resistance	15 g (11 ms); 30 g (6 ms)
Vibration resistance	7.5 mm or 2 g (1 ... 200 Hz) / 5 g
Electrical safety	
■ Short-circuit resistance	S+ vs. U-
■ Reverse polarity protection	U+ vs. U-
Weight	approx. 0.2 kg
Explosion protection	
■ FM approval	Non-incendive installation Class I, division 2, groups A, B, C, D Control drawing 14097836
■ Permissible ambient temperature	-10 ... +60 °C (14 ... 140 °F) (T4) -10 ... +60 °C (14 ... 140 °F) (T5) -10 ... +40 °C (14 ... 104 °F) (T6)

9. Specifications

Specifications	Models WUD-20, WUD-25 and WUD-26
■ Power supply U_+	DC 10 ... 30 V (corresponds to U_i or V_{\max})
■ Max. current I_{\max}	50 mA (without switching outputs) 250 mA (with switching outputs)
■ Internal capacitance C_i	42 nF (+0.3 nF/m with cable outlet)
■ Internal inductance L_i	10 μ H (+2 μ H/m with cable outlet)

EN



EU-Konformitätserklärung EU Declaration of Conformity

Dokument Nr.: 14083883.03
Document No.: 14083883.03
Wir erklären in alleiniger Verantwortung, dass die mit CE gekennzeichneten Produkte
We declare under our sole responsibility that the CE marked products

Typenbezeichnung: WUD-20, WUD-25, WUD-26
Type Designation:

Beschreibung: Ultra High Purity Transducer
Description: Ultra High Purity Transducer

gemäß gültigem Datenblatt: PE 87.08
according to the valid data sheet:


die wesentlichen Schutzanforderungen der folgenden Richtlinien erfüllen: Harmonisierte Normen:
comply with the essential protection requirements of the directives: Harmonized standards:


2011/65/EU	Gefährliche Stoffe (RoHS) Hazardous substances (RoHS)	EN 50581:2012
2014/68/EU	Druckgeräterichtlinie (DGRL) ⁽¹⁾ Pressure Equipment Directive (PED) ⁽¹⁾	
2014/30/EU	Elektromagnetische Verträglichkeit (EMV) Electromagnetic Compatibility (EMC)	EN 61326-1:2013 EN 61326-2-3:2013

(1) PS > 200 bar: Modul A, druckhaltendes Ausrüstungsteil
PS > 200 bar: Module A, pressure accessory

Unterschriftet für und im Namen von / Signed for and on behalf of

WIKAL Alexander Wiegand SE & Co. KG
Klingenberg, 2017-05-02


Fokko Stake, Director Operations
Electronic Products – Industrial Instrumentation


Steffen Schlesionsa, Director Quality Management
Industrial Instrumentation

WIKAL Alexander Wiegand SE & Co. KG
Alexander Wiegand Straße 57
63074 Klingenberg
Germany

Tel +49 9271 152-0
Fax +49 9271 152-495
E-Mail: info@wika.de
www.wika.de

Kommunikationsfach: Stk. Klingenberg –
Anlagenbau: Anstalt/Klingenberg, H&A 1813
Kundenservice: WIKAL Service/SE & Co. KG –
Stk. Klingenberg – Anlagenbau Anstalt/Klingenberg
H&A 4055

Konzeption:
WIKAL International SE, Stk. Klingenberg –
Anlagenbau/Kaufleute/BA 1918 10103
Vorstand: Alexander Wiegand
Vizevorstand: Hans Aufhäuser, Dr. Udo Egel

Appendix 2: Control drawing 14097836

Hazardous (Classified) Location

Non-Hazardous Location

For 1 and 2 Installation
 Class 1, Division 2, Groups A, B, C and D
 Class 1, Zone 2, Group III
 (More ...)

EN



Standard Parameters

$V_{max} = 0C \dots 10 V$, with C being $30 \dots 60 mA / 30 \dots 9 V$

$V_{min} = 0V \dots 10 V$, with C being $30 \dots 90 mA$

$I_{max} = 50 mA$ with 1 switching current (max)

$I_{min} = 250 mA$ with 1 switching output (max)

$I_{sw} = 12 V$ (max) with 1 output

$I_{sw} = 12 V$ (max) with 1 output

Notes

1. The non-accidental wiring correct allows the interconnection of two devices with non-inductive parameters not specified, examined in combination as a system with the parameters V_{max} , I_{max} , I_{sw} and I_{sw} .

2. For this control valve, circuit, the parameter I_{sw} is not required to be signed with the parameter I_{sw} of non-inductive wiring equipment.

3. Installation should be done in accordance with the National Code (in France: NF S61472), Section 304 and 305.

4. The connection to Control Equipment must be done in accordance with the local and IEC standards.

5. Control Equipment manufacturer's installation drawing must be followed when installing this equipment.

6. See notes on this drawing without prior approval by WIKA.

	name	WUD-15 pins	WUD-15 pins	WUD-15 pins	WUD-15 pins	WUD-15 pins
Control	WUD-15 pins	Pin 1	Pin 2	Pin 3	Pin 4	Pin 5
Supply	WUD-15 pins	Pin 6	Pin 7	Pin 8	Pin 9	Pin 10
Signal	WUD-15 pins	Pin 11	Pin 12	Pin 13	Pin 14	Pin 15
Switching current 1	WUD-15 pins	Pin 16	Pin 17	Pin 18	Pin 19	Pin 20
Switching current 2	WUD-15 pins	Pin 21	Pin 22	Pin 23	Pin 24	Pin 25

Wiring to be in accordance with the drawing.

Inhalt

DE

1. Allgemeines	42
2. Aufbau und Funktion	43
2.1 Überblick	43
2.2 Beschreibung	44
2.3 Lieferumfang	44
3. Sicherheit	45
3.1 Symbolerklärung	45
3.2 Bestimmungsgemäße Verwendung	46
3.3 Fehlgebrauch	46
3.4 Personalqualifikation	47
3.5 Beschilderung, Sicherheitskennzeichnungen	48
3.6 Ex-Kennzeichnung	49
4. Transport, Verpackung und Lagerung	50
5. Inbetriebnahme, Betrieb	52
5.1 Mechanische Montage	52
5.2 Elektrische Montage	54
5.3 Menüführung, Bedienung	58
5.4 Nullpunkt einstellen	64
6. Störungen	65
7. Wartung und Reinigung	67
8. Demontage, Rücksendung und Entsorgung	69
9. Technische Daten	72
Anlage 1: EG-Konformitätserklärung Typ WUD-2x	76
Anlage 2: Control drawing 14097836	77

1. Allgemeines

1. Allgemeines

- Der in der Betriebsanleitung beschriebene Transducer wird nach dem aktuellen Stand der Technik konstruiert und gefertigt. Alle Komponenten unterliegen während der Fertigung strengen Qualitäts- und Umweltkriterien. Unsere Managementsysteme sind nach ISO 9001 und ISO 14001 zertifiziert.
- Diese Betriebsanleitung gibt wichtige Hinweise zum Umgang mit dem Gerät. Voraussetzung für sicheres Arbeiten ist die Einhaltung aller angegebenen Sicherheitshinweise und Handlungsanweisungen.
- Die für den Einsatzbereich des Gerätes geltenden örtlichen Unfallverhütungsvorschriften und allgemeinen Sicherheitsbestimmungen einhalten.
- Die Betriebsanleitung ist Produktbestandteil und muss in unmittelbarer Nähe des Gerätes für das Fachpersonal jederzeit zugänglich aufbewahrt werden. Betriebsanleitung an nachfolgende Benutzer oder Besitzer des Gerätes weitergeben.
- Das Fachpersonal muss die Betriebsanleitung vor Beginn aller Arbeiten sorgfältig durchgelesen und verstanden haben.
- Es gelten die allgemeinen Geschäftsbedingungen in den Verkaufsunterlagen.
- Technische Änderungen vorbehalten.
- Weitere Informationen:

DE

2. Aufbau und Funktion

2. Aufbau und Funktion

2.1 Überblick



- ① Display
- ② Haupt-Taste
- ③ Typenschild
- ④ Schlüsselfläche
- ⑤ Prozessanschluss (je nach Ausführung)
- ⑥ Nullpunkteinstellung
- ⑦ Ab-Taste
- ⑧ Auf-Taste
- ⑨ Status-LEDs

2. Aufbau und Funktion

2.2 Beschreibung

Der Transducer ist ein elektronisches Druckmessgerät mit Digitalanzeige. Der anliegende Druck wird in ein analoges elektrisches Ausgangssignal umgewandelt. Das analoge Ausgangssignal wird über eine Steckverbindung abgegriffen. Über die Digitalanzeige kann der Druck direkt am Druckmessgerät abgelesen werden.

Optional sind 2 einstellbare Schaltausgänge verfügbar.

Funktionen

- Analoges Ausgangssignal
- 2 Schaltausgänge (optional)
- Display
- Schaltfunktionen (Hysterese, Verzögerung (Dämpfung))
- Nullpunkteinstellung

2.3 Lieferumfang

- Transducer
- Schutzkappe für Prozessanschluss
- Betriebsanleitung

Lieferumfang mit dem Lieferschein abgleichen.

3. Sicherheit

3. Sicherheit

3.1 Symbolerklärung



GEFAHR!

... weist auf eine möglicherweise gefährliche Situation im explosionsgefährdeten Bereich hin, die zum Tod oder zu schweren Verletzungen führen kann, wenn sie nicht gemieden wird.



WARNUNG!

... weist auf eine möglicherweise gefährliche Situation hin, die zum Tod oder zu schweren Verletzungen führen kann, wenn sie nicht gemieden wird.



VORSICHT!

... weist auf eine möglicherweise gefährliche Situation hin, die zu geringfügigen oder leichten Verletzungen bzw. Sach- und Umweltschäden führen kann, wenn sie nicht gemieden wird.



Information

... hebt nützliche Tipps und Empfehlungen sowie Informationen für einen effizienten und störungsfreien Betrieb hervor.

DE

3. Sicherheit

3.2 Bestimmungsgemäße Verwendung

Der Transducer ist ein elektronisches Druckmessgerät für den Inneneinsatz. Einsatzgebiet sind industrielle Anwendungen in Reinräumen. Messbar sind gasförmige oder flüssige Messstoffe.

DE

Den Transducer nur in Anwendungen verwenden, die innerhalb seiner technischen Leistungsgrenzen liegen. Verträglichkeit von Messstoff und Werkstoffen ist vom Betreiber zu prüfen.

→ Leistungsgrenzen siehe Kapitel 9 „Technische Daten“.

Für Anwendungen in explosionsgefährdeten Bereichen

Nur Transducer mit FM-Kennzeichnung in explosionsgefährdeten Bereichen Class I Division 2 installieren und betreiben.

→ Kennzeichnung siehe Kapitel 3.5 „Beschilderung, Sicherheitskennzeichnungen“.

Das Gerät ist ausschließlich für den hier beschriebenen bestimmungsgemäßen Verwendungszweck konzipiert und konstruiert und darf nur dementsprechend verwendet werden.

Ansprüche jeglicher Art aufgrund von nicht bestimmungsgemäßer Verwendung sind ausgeschlossen.

3.3 Fehlgebrauch



WARNING!

Verletzungen durch Fehlgebrauch

Fehlgebrauch des Gerätes kann zu gefährlichen Situationen und Verletzungen führen.

- ▶ Eigenmächtige Umbauten am Gerät unterlassen.
- ▶ Gerät nicht in explosionsgefährdeten Bereichen einsetzen, sofern nicht entsprechend gekennzeichnet.

Jede über die bestimmungsgemäße Verwendung hinausgehende oder andersartige Benutzung gilt als Fehlgebrauch.

3. Sicherheit

3.4 Personalqualifikation



WARNUNG!

Verletzungsgefahr bei unzureichender Qualifikation

Unsachgemäßer Umgang kann zu erheblichen Personen- und Sachschäden führen.

- ▶ Die in dieser Betriebsanleitung beschriebenen Tätigkeiten nur durch Personal nachfolgend beschriebener Qualifikation durchführen lassen.

Elektrofachpersonal

Das Elektrofachpersonal ist aufgrund seiner fachlichen Ausbildung, Kenntnisse und Erfahrungen sowie Kenntnis der landesspezifischen Vorschriften, geltenden Normen und Richtlinien in der Lage, Arbeiten an elektrischen Anlagen auszuführen und mögliche Gefahren selbstständig zu erkennen und zu vermeiden. Das Elektrofachpersonal ist speziell für das Arbeitsumfeld, in dem es tätig ist, ausgebildet und kennt die relevanten Normen und Bestimmungen. Das Elektrofachpersonal muss die Bestimmungen der geltenden gesetzlichen Vorschriften zur Unfallverhütung erfüllen.

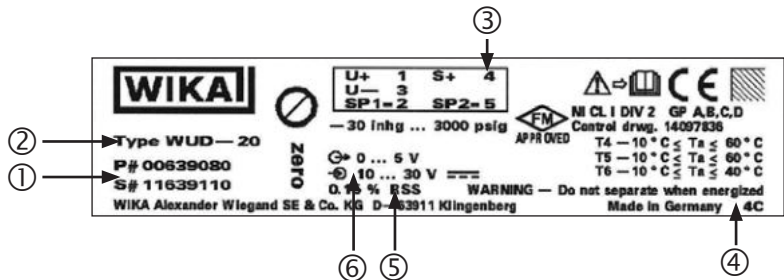
Besondere Kenntnisse bei Arbeiten mit Geräten für explosionsgefährdete Bereiche:

Das Elektrofachpersonal muss Kenntnisse haben über Zündschutzarten, Vorschriften und Verordnungen für Betriebsmittel in explosionsgefährdeten Bereichen.

Spezielle Einsatzbedingungen verlangen weiteres entsprechendes Wissen, z. B. über aggressive Medien.

3. Sicherheit

3.5 Beschilderung, Sicherheitskennzeichnungen



- ① P# Erzeugnis-Nr.
S# Artikel-Nr.
- ② Typ
- ③ Anschlussbelegung
- ④ Codiertes Herstellungsdatum
- ⑤ Genauigkeit
- ⑥ ⊕ Hilfsenergie
⊕ Ausgangssignal

Symbole



Vor Montage und Inbetriebnahme Betriebsanleitung lesen!



Geräte mit dieser Kennzeichnung sind konform mit den zutreffenden europäischen Richtlinien.



FM, Factory Mutual

Das Gerät wurde von FM Approvals geprüft und zertifiziert.
Geräte mit dieser Kennzeichnung stimmen überein mit den anwendbaren US-amerikanischen Normen zur Sicherheit (einschließlich Explosionsschutz).

3. Sicherheit

3.6 Ex-Kennzeichnung



GEFAHR!

Lebensgefahr durch Verlust des Explosionsschutzes

Die Nichtbeachtung dieser Inhalte und Anweisungen kann zum Verlust des Explosionsschutzes führen.

- ▶ Sicherheitshinweise in diesem Kapitel sowie weitere Explosionsschutzhinweise in dieser Betriebsanleitung beachten.
- ▶ Die Angaben der geltenden Baumusterprüfbescheinigung sowie die jeweiligen landesspezifischen Vorschriften zur Installation und Einsatz in explosionsgefährdeten Bereichen (z. B. IEC 60079-14, NEC, CEC) einhalten.

Überprüfen, ob die Klassifizierung für den Einsatzfall geeignet ist. Die jeweiligen nationalen Vorschriften und Bestimmungen beachten.

NI CL I DIV 2 Grp A, B, C, D

Kenzeichnung	Benennung	Bedeutung
NI	Non-incendive	Nicht-zündend
CL I	Class 1	Explosionsfähige Gase, Dämpfe
DIV 2	Division 2	Zeitweilig explosionsgefährdet
Grp A, B, C, D	Explosionsgruppen A, B, C, D	alle Gase und Dämpfe

Temperaturklasse	Maximal zulässige Umgebungstemperatur
T4	-10 ... +60 °C (14 ... 140 °F)
T5	-10 ... +60 °C (14 ... 140 °F)
T6	-10 ... +40 °C (14 ... 104 °F)

4. Transport, Verpackung und Lagerung

4. Transport, Verpackung und Lagerung

4.1 Transport

DE



VORSICHT!

Beschädigungen durch unsachgemäßen Transport

Bei unsachgemäßem Transport können Sachschäden entstehen.

- ▶ Beim Abladen der Packstücke bei Anlieferung sowie innerbetrieblichem Transport vorsichtig vorgehen und die Symbole auf der Verpackung beachten.
- ▶ Bei innerbetrieblichem Transport die Hinweise unter Kapitel 4.2 „Verpackung und Lagerung“ beachten.

Vor Transport

1. Schutzkappe auf Prozessanschluss stecken.
2. Transducer gemäß Reinraumspezifikation verpacken.
3. Gegen Stöße und Herunterfallen sichern.

Nach Transport

- ▶ Transducer auf eventuell vorhandene Transportschäden untersuchen. Offensichtliche Schäden unverzüglich mitteilen.
- ▶ Wird das Gerät von einer kalten in eine warme Umgebung transportiert, so kann durch Kondensatbildung eine Störung der Gerätefunktion eintreten. Vor einer erneuten Inbetriebnahme die Angleichung der Gerätetemperatur an die Raumtemperatur abwarten.

4. Transport, Verpackung und Lagerung

4.2 Verpackung und Lagerung

Verpackung erst im Reinraum und unmittelbar vor der Montage entfernen.

Die Verpackung aufbewahren, denn diese bietet bei einem Transport einen optimalen Schutz (z. B. wechselnder Einbauort, Reparatursendung).

Zulässige Bedingungen am Lagerort:

Lagertemperatur: -10 ... +60 °C (14 ... 140 °F)

Feuchtigkeit: 35 ... 85 % relative Feuchte (keine Betauung)

Folgende Einflüsse vermeiden:

- Direktes Sonnenlicht oder Nähe zu heißen Gegenständen
- Mechanische Vibration, mechanischer Schock (hartes Aufstellen)
- Ruß, Dampf, Staub und korrosive Gase

Das Gerät in der Originalverpackung an einem Ort lagern, der die oben gelisteten Bedingungen erfüllt. Wenn die Originalverpackung nicht vorhanden ist, dann das Gerät wie folgt verpacken und lagern:

1. Schutzkappe auf Prozessanschluss stecken.
2. Das Gerät gemäß Reinraumspezifikation in eine antistatische Plastikfolie verpacken.
3. Das Gerät mit dem Dämmmaterial in der Verpackung platzieren.
4. Bei längerer Einlagerung (mehr als 30 Tage) einen Beutel mit Trocknungsmittel der Verpackung beilegen.

5. Inbetriebnahme, Betrieb

5. Inbetriebnahme, Betrieb



GEFAHR!

Explosionsfähige Atmosphäre

Explosion

- ▶ Nur Transmitter verwenden, die für den Einsatz in explosionsgefährdeten Bereichen gekennzeichnet sind.
- ▶ Vor Inbetriebnahme sicherstellen, dass die Umgebung frei von explosionsfähiger Atmosphäre ist.
- ▶ Im Zweifelsfall Feuererlaubnisschein einholen.

5.1 Mechanische Montage



VORSICHT!

Unsachgemäße Montage

Transducer wird beschädigt.

- ▶ Schutzkappe erst kurz vor Montage entfernen.
- ▶ Gehäuse vor Kräfteinwirkung schützen (z. B. Hebelkraft).
- ▶ Gewindegänge nicht verkanten.

Benötigtes Werkzeug

- Gabelschlüssel SW 16 und SW 19
- Schraubendreher 1 ...1,5 mm
- Schere
- Satz Sechskantschlüssel (für WUD-26)

5. Inbetriebnahme, Betrieb

Typ WUD-20, Single End

- ▶ Transducer über Schlüssel­fläche anziehen.
Richtiges Drehmoment ist abhängig von Dimension des Prozessanschlusses und der Dichtung (Form/Werkstoff). Herstellerangaben der Anschlüsse beachten.

Typ WUD-25, Flow Through

1. Überwurfmutter handfest anziehen und Gerät ausrichten.
2. Überwurfmutter festziehen.

Typ WUD-26, Modular Surface Mount

- ▶ Vor dem Lichtbogenschweißen sicherstellen, dass der Transducer an keine weiteren Geräte angeschlossen ist.
- ▶ Elektrischen Anschluss trennen.
- ▶ Zuleitungen aus der Anschluss­litze nicht mit Metalloberflächen in Berührung bringen.
- ▶ Strom und Hitzeeintrag gegenüber Transducer minimieren.
- ▶ Während Schweißprozess Argon durch Leitung fließen lassen.
- ▶ Nullpunkt überprüfen und ggf. abgleichen (siehe Kapitel 5.4 „Nullpunkt einstellen“).

DE

5. Inbetriebnahme, Betrieb

5.2 Elektrische Montage



WARNUNG!

Unzureichender Potenzialausgleich

Explosion

- ▶ Transducer über Prozessanschluss erden.

Für Hinweise zu Installationen in den USA, siehe ANSI/ISA-RP12.06.01 „Installation of Intrinsically Safe Systems for Hazardous (Classified) Locations“.

Installationen in den USA müssen übereinstimmen mit den relevanten Anforderungen des National Electrical Code® (ANSI/NFPA-70 (NEC®)).

5.2.1 Spannungsversorgung einrichten



WARNUNG!

Falsche Spannungsversorgung

Explosion

- ▶ Angaben nach Control drawing 14097836 einhalten (siehe Anhang).
- ▶ Hilfsenergie DC 30 V nicht überschreiten.

Hilfsenergie U+

DC 10 ... 30 V bei Ausgangssignal 4 ... 20 mA / DC 0 ... 5 V

DC 14 ... 30 V bei Ausgangssignal DC 0 ... 10 V

Maximaler Strom I_{max}

50 mA (ohne Schaltausgänge)

250 mA (mit Schaltausgängen)

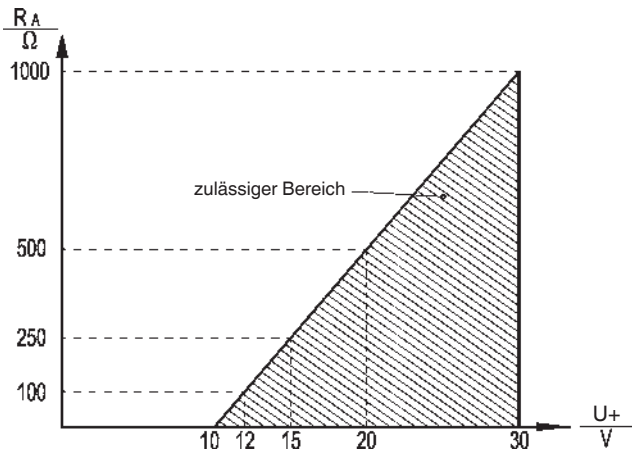
Zusätzlich für Betrieb in explosionsgefährdeten Bereichen

$C_i = 42 \text{ nF}$ (+0,3 nF/m bei Kabelausgang)

$L_i = 10 \text{ }\mu\text{H}$ (+2 $\mu\text{H}/\text{m}$ bei Kabelausgang)

5. Inbetriebnahme, Betrieb

Zusammenhang zwischen Hilfsenergie und Bürde (R_A)



Stromausgang (3-Leiter)

4 ... 20 mA:

$$R_A \leq (U_+ - 10 \text{ V}) / 0,02 \text{ A}$$

Spannungsausgang (3-Leiter)

DC 0 ... 5 V: $R_A > 5 \text{ k}\Omega$

DC 0 ... 10 V: $R_A > 10 \text{ k}\Omega$

mit R_A in Ω und U_+ in Volt

DE

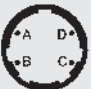


5. Inbetriebnahme, Betrieb

5.2.2 Elektrischen Anschluss herstellen

- ▶ Stecker handfest anziehen. Schutzart ist nur gewährleistet, wenn Einbauvorschriften für Dichtungen eingehalten werden.
- ▶ Sicherstellen, dass am Kabelende keine Feuchtigkeit eintreten kann.
- ▶ Transducer über Prozessanschluss erden.
- ▶ Geschirmtes Kabel verwenden, wenn Leitung länger ist als 30 m oder das Gebäude verlässt.
- ▶ Kabelschirm nicht auf Geräteseite auflegen.



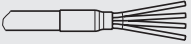
DE

Anschlussbelegung

	Bajonett-Rundstecker 4-polig			Rundstecker M12 x 1 4-polig			Rundstecker M12 x 1 5-polig		
									
3-Leiter	U+ = A	U- = D	S+ = B	U+ = 1	U- = 3	S+ = 4	U+ = 1	U- = 3	S+ = 4
Schaltpunkte	-			SP1 = 2			SP1 = 2 SP2 = 5		
Aderquerschnitt	-			-					
Kabeldurchmesser	-			-					
Schutzart nach IEC 60529	IP 67			IP 67			IP 67		

Schutzart gilt nur im gesteckten Zustand mit Gegensteckern entsprechender Schutzart.

5. Inbetriebnahme, Betrieb

	Sub-D HD Stecker 15-polig			Sub-D Stecker 9-polig			Kabelausgang		
									
3-Leiter	U+ = 7	U- = 5 U- = 12	S+ = 2	U+ = 4	U- = 8 U- = 9	S+ = 1	U+ = rot	U- = schwarz	S+ = braun
Schaltpunkte	SP1 = 14 SP2 = 13			SP1 = 3 SP2 = 6			SP1 = blau SP2 = weiß		
Aderquerschnitt	-			-			0,22 mm ² (AWG 24)		
Kabeldurchmesser	-			-			4,8 mm		
Schutzart nach IEC 60529	IP 20			IP 20			IP 65		

Schutzart gilt nur im gesteckten Zustand mit Gegensteckern entsprechender Schutzart.

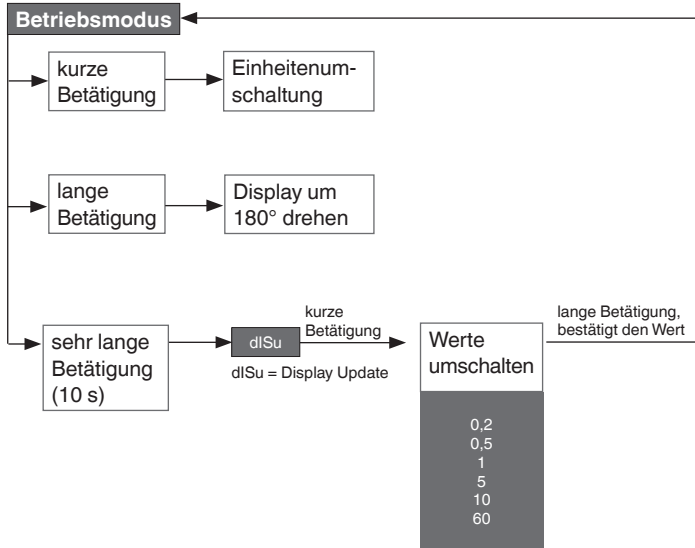
- U+ Positiver Versorgungsanschluss
- U- Negativer Versorgungsanschluss
- S+ Signalausgang
- SP1 Schaltausgang 1
- SP2 Schaltausgang 2

5. Inbetriebnahme, Betrieb

5.3 Menüführung, Bedienung

5.3.1 Geräteausführung mit einer Taste


DE



Wird eine Minute keine Taste gedrückt, kehrt der Transducer in Betriebsmodus zurück.

5. Inbetriebnahme, Betrieb

5.3.2 Geräteausführung mit drei Tasten

	Betriebsmodus	Programmiermodus
Haupt-Taste 		kurze Betätigung: - Menüpunkt auswählen - Einstellung bestätigen
	lange Betätigung: Display um 180° drehen	lange Betätigung: - Menüpunkt auswählen - Einstellung bestätigen
Ab-Taste 		kurze Betätigung: - Menü nach unten durchblättern - Parameter-Wert reduzieren
	lange Betätigung: In Programmiermodus wechseln	lange Betätigung: - Menü nach unten durchblättern - Parameter-Wert reduzieren
Auf-Taste 		kurze Betätigung: - Menü nach oben durchblättern - Parameter-Wert erhöhen
		lange Betätigung: - Menü nach oben durchblättern - Parameter-Wert erhöhen
Auf- und Ab-Taste 		kurze Betätigung (beide Tasten gleichzeitig): In Betriebsmodus wechseln

DE

5. Inbetriebnahme, Betrieb

5.3.3 Status LEDs

Geräteausführung mit einer Taste

Leuchtende LED zeigt Betriebsbereitschaft und eingestellte Einheit an.

DE

Geräteausführung mit drei Tasten

LED (rot) - Status Schaltausgang 1 (SP1)

LED (rot) - Status Schaltausgang 2 (SP2)

LED (rot) - Bereit LED mit Einheit

5.3.4 Parameter

Parameter	Beschreibung	Einstellbereich	Werkseinstellung
SP1 / SP2	Hysteresefunktion: Schaltpunkt, Schaltausgang (1 oder 2)	Min: MBA +0,5 % Max: MBE	60 % des Messgeräte-Nenndrucks
RP1 / RP2	Hysteresefunktion: Rückschaltpunkt, Schaltausgang (1 oder 2)	Min: MBA Max: SP1/SP2 -0,5 %	40 % des Messgeräte-Nenndrucks
EF	Erweiterte Programmierfunktionen		
RES	Auf Werkseinstellungen zurücksetzen	Ja/Nein	
DS1 / DS2	Schaltverzögerungszeit, die ununterbrochen anstehen muss, bis ein elektrischer Signalwechsel erfolgt (SP1 ggf. SP2)	0 ... 50 s	0 s
DR1 / DR2	Schaltverzögerungszeit, die ununterbrochen anstehen muss, bis ein elektrischer Signalwechsel erfolgt (RP1 ggf. RP2)	0 ... 50 s	0 s
OU1 / OU2	Schaltfunktion, Schaltausgang (1 oder 2)	OFF = immer aus ON = immer an NO = Schließer NC = Öffner	NO
DISU	Display-Update	0,2 / 0,5 / 1 / 5 / 10 / 60 s	0,2 s

5. Inbetriebnahme, Betrieb

Parameter	Beschreibung	Einstellbereich	Werkseinstellung
DISO	Display Nullpunktverschiebung (Einstellung hat keinen Einfluss auf Ausgangssignal. Nur Display-Anzeigewert wird eingestellt.)	± 10 % der Spanne	0 %

MBA = Messbereichsanfang

MBE = Messbereichsende

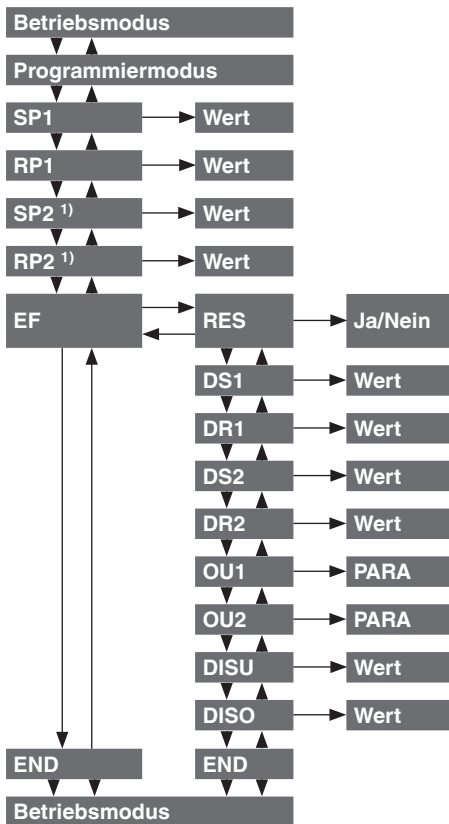
5.3.5 Fehleranzeige

Fehler	Beschreibung
ATT	Einstellung liegt außerhalb des Bereiches (Zur Quittierung der Fehleranzeige, die Haupt-Taste drücken)
OL	Druck zu hoch, Messbereich überschritten > ca. 5 % (Anzeige blinkt)
UL	Druck zu niedrig, unterhalb des Messbereichs < ca. 2 % (Anzeige blinkt)

5. Inbetriebnahme, Betrieb

5.3.6 Menüführung

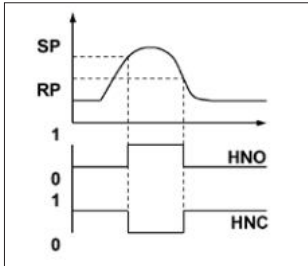
DE



5. Inbetriebnahme, Betrieb

5.3.7 Schaltfunktionen

Hysteresese



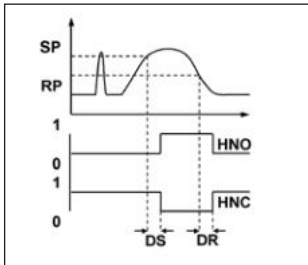
Bleibt der Druck unterhalb des Schaltschwertes, wird Schaltzustand gehalten. Wird Schaltschwert (SP) erreicht, schaltet der Transducer.

- Schaltausgang (NO): an
- Schaltausgang (NC): aus

Wird bei fallendem Druck der Rückschaltwert (RP) erreicht, schaltet der Transducer zurück.

- Schaltausgang (NO): aus
- Schaltausgang (NC): an

Verzögerung (Dämpfung)



Kurze oder hochfrequente Druckspitzen werden gefiltert (Dämpfung).

Der Druck muss mindestens eine voreingestellte Zeit anstehen, damit der Ausgang schaltet. Der Ausgang ändert seinen Zustand nicht sofort bei Erreichen des Schaltereignisses (SP), sondern erst nach Ablauf der eingestellten Verzögerungszeit (DS).

Besteht das Schaltereignis nach Ablauf der Verzögerungszeit nicht mehr, ändert sich der Schaltausgang nicht. Der Ausgang schaltet erst wieder zurück, wenn der Druck auf den Rückschaltwert (RP) abgefallen ist und mindestens die eingestellte Verzögerungszeit (DR) auf bzw. unter dem Rückschaltwert (RP) bleibt.

Besteht das Schaltereignis nach Ablauf der Verzögerungszeit nicht mehr, ändert sich der Schaltausgang nicht.

5. Inbetriebnahme, Betrieb

5.4 Nullpunkt einstellen

Benötigtes Werkzeug

Schraubendreher 1 ... 1,5 mm

DE

Für Geräte mit Absolutdruck-Messbereich oder +/- Messbereich ist eine ausreichende Kalibrier-ausstattung und eine Vakuumpumpe erforderlich.

Vorgehensweise

1. Transducer drucklos schalten.
2. Hilfsenergie anlegen.
3. Klebeschild anheben.
4. Nullpunkt einstellen.

- Drehen im Uhrzeigersinn: Nullpunktverschiebung nach oben.
- Drehen entgegen Uhrzeigersinn: Nullpunktverschiebung nach unten.

5. Nullpunkt überprüfen.
6. Klebeschild andrücken.



Personal: Elektrofachpersonal



GEFAHR!

Lebensgefahr durch Explosion

Durch Arbeiten in endzündlichen Atmosphären besteht Explosionsgefahr, die zum Tod führen kann.

- ▶ Störungen in nicht-endzündlichen Atmosphären beseitigen!



VORSICHT!

Körperverletzungen, Sach- und Umweltschäden

Können Störungen mit Hilfe der oben aufgeführten Maßnahmen nicht beseitigt werden, Gerät unverzüglich außer Betrieb setzen.

- ▶ Sicherstellen, dass kein Druck bzw. Signal mehr anliegt und gegen versehentliche Inbetriebnahme schützen.
- ▶ Kontakt mit dem Hersteller aufnehmen.
- ▶ Bei notwendiger Rücksendung die Hinweise unter Kapitel 8.2 „Rücksendung“ beachten.



WARNUNG!

Körperverletzungen, Sach- und Umweltschäden durch gefährliche Messstoffe

Bei Kontakt mit gefährlichen Messstoffen (z. B. Sauerstoff, Acetylen, brennbaren oder giftigen Stoffen), gesundheitsgefährdenden Messstoffen (z. B. ätzend, giftig, krebserregend, radioaktiv) sowie bei Kälteanlagen, Kompressoren besteht die Gefahr von Körperverletzungen, Sach- und Umweltschäden.

Am Gerät können im Fehlerfall aggressive Medien mit extremer Temperatur und unter hohem Druck oder Vakuum anliegen.

- ▶ Bei diesen Messstoffen müssen über die gesamten allgemeinen Regeln hinaus die einschlägigen Vorschriften beachtet werden.
- ▶ Notwendige Schutzausrüstung tragen.

6. Störungen



Kontaktdaten siehe Kapitel 1 „Allgemeines“ oder Rückseite der Betriebsanleitung.

DE

Störungen	Ursachen	Maßnahmen
Gleichbleibendes Ausgangssignal bei Druckänderung	Mechanische Überlastung durch Überdruck	Gerät austauschen
	Hilfsenergie zu hoch	Gerät austauschen
Kein Ausgangssignal	Keine/Falsche Hilfsenergie oder Stromstoß	Hilfsenergie korrigieren
	Leitungsbruch	Leitung austauschen
Kein/Falsches Ausgangssignal	Verdrahtungsfehler	Verdrahtung korrigieren
Abweichendes Ausgangs- oder Nullpunktsignal	Nullpunkt verstellt	Nullpunkt korrigieren
Abweichendes Nullpunktsignal	Messstoff- bzw. Umgebungstemperatur zu hoch/niedrig	Gerät innerhalb zulässigem Temperaturbereich betreiben; zulässigen Temperaturfehler beachten
	Membranbeschädigung, Korrosion an Membrane oder Prozessanschluss	Gerät austauschen
Signalspanne fällt ab/zu klein	Membranbeschädigung, Korrosion an Membrane oder Prozessanschluss	Gerät austauschen
Signalspanne zu klein	Falsche Hilfsenergie	Hilfsenergie korrigieren
	Mechanische Überlastung durch Überdruck	Gerät kalibrieren

7. Wartung und Reinigung

7. Wartung und Reinigung

Personal: Elektrofachpersonal

Schutzausrüstung: Schutzhandschuhe, Schutzbrille



GEFAHR!

Lebensgefahr durch Explosion

Durch Arbeiten in endzündlichen Atmosphären besteht Explosionsgefahr, die zum Tod führen kann.

- ▶ Transducer nur in nicht-endzündlicher Atmosphäre warten oder reinigen.



Kontakt Daten siehe Kapitel 1 „Allgemeines“ oder Rückseite der Betriebsanleitung.

7.1 Wartung

Der Transducer ist wartungsfrei.

Reparaturen sind ausschließlich vom Hersteller durchzuführen.

7.2 Reinigung



VORSICHT!


Körperverletzungen, Sach- und Umweltschäden

Eine unsachgemäße Reinigung führt zu Körperverletzungen, Sach- und Umweltschäden. Messstoffreste im ausgebauten Gerät können zur Gefährdung von Personen, Umwelt und Einrichtung führen.

- ▶ Reinigungsvorgang wie folgt beschrieben durchführen.
- ▶ Notwendige Schutzausrüstung verwenden.

7. Wartung und Reinigung

1. Vor der Reinigung das Gerät ordnungsgemäß von der Druckversorgung trennen, ausschalten und vom Netz trennen.

2.  **VORSICHT!**
Sachbeschädigung
Eine unsachgemäße Reinigung führt zur Beschädigung des Gerätes!
 - ▶ Keine aggressiven Reinigungsmittel verwenden.
 - ▶ Keine harten und spitzen Gegenstände zur Reinigung verwenden.

Das Gerät mit einem feuchten Tuch reinigen.

Elektrische Anschlüsse nicht mit Feuchtigkeit in Berührung bringen!

3. Ausgebautes Gerät spülen bzw. säubern, um Personen und Umwelt vor Gefährdung durch anhaftende Messstoffreste zu schützen.

8. Demontage, Rücksendung und Entsorgung

8. Demontage, Rücksendung und Entsorgung

Personal: Elektrofachpersonal



WARNUNG!

Körperverletzungen, Sach- und Umweltschäden durch Messstoffreste

Messstoffreste im ausgebauten Gerät können zur Gefährdung von Personen, Umwelt und Einrichtung führen.

- ▶ Notwendige Schutzausrüstung tragen.
- ▶ Angaben im Sicherheitsdatenblatt für den entsprechenden Messstoff beachten.
- ▶ Ausgebautes Gerät spülen bzw. säubern, um Personen und Umwelt vor Gefährdung durch anhaftende Messstoffreste zu schützen.

DE

8.1 Demontage



GEFAHR!

Lebensgefahr durch Explosion

Durch Arbeiten in endzündlichen Atmosphären besteht Explosionsgefahr, die zum Tod führen kann.

- ▶ Transducer nur in nicht-endzündlicher Atmosphäre demontieren.



WARNUNG!

Körperverletzung

Bei der Demontage besteht Gefahr durch aggressive Medien und hohe Drücke.

- ▶ Notwendige Schutzausrüstung tragen.
- ▶ Angaben im Sicherheitsdatenblatt für den entsprechenden Messstoff beachten.
- ▶ Druckmessgerät/Messanordnung/Prüf-/und Kalibrierlaufbauten im drucklosen Zustand demontieren.

8. Demontage, Rücksendung und Entsorgung

8.2 Rücksendung

Beim Versand des Gerätes unbedingt beachten:

Alle an WIKA gelieferten Geräte müssen frei von Gefahrstoffen (Säuren, Laugen, Lösungen, etc.) sein und sind daher vor der Rücksendung zu reinigen.



WARNUNG!

Körperverletzungen, Sach- und Umweltschäden durch Messstoffreste

Messstoffreste im ausgebauten Gerät können zur Gefährdung von Personen, Umwelt und Einrichtung führen.

- ▶ Bei Gefahrstoffen das Sicherheitsdatenblatt für den entsprechenden Messstoff beilegen.
- ▶ Gerät reinigen, siehe Kapitel 7.2 „Reinigung“.

Zur Rücksendung des Gerätes die Originalverpackung oder eine geeignete Transportverpackung verwenden.

Um Schäden zu vermeiden:

1. Das Gerät in eine antistatische Plastikfolie einhüllen.
2. Das Gerät mit dem Dämmmaterial in der Verpackung platzieren.
Zu allen Seiten der Transportverpackung gleichmäßig dämmen.
3. Wenn möglich einen Beutel mit Trocknungsmittel der Verpackung beifügen.
4. Sendung als Transport eines hochempfindlichen Messgerätes kennzeichnen.



Hinweise zur Rücksendung befinden sich in der Rubrik „Service“ auf unserer lokalen Internetseite.

8. Demontage, Rücksendung und Entsorgung

8.3 Entsorgung

Durch falsche Entsorgung können Gefahren für die Umwelt entstehen.

Gerätekomponenten und Verpackungsmaterialien entsprechend den landesspezifischen Abfallbehandlungs- und Entsorgungsvorschriften umweltgerecht entsorgen.

DE

9. Technische Daten

9. Technische Daten

DE

Technische Daten		Typen WUD-20, WUD-25 und WUD-26										
		WUD-20 / WUD-25										
		WUD-26										
Messbereich	psi	-	30	60	100	160	250	350	500	1,000	1,500	
	bar	-	2	4	7	11	17	25	36	70	100	
Überlastgrenze ¹⁾	psi	120	120	120	210	320	500	750	1,100	2,100	3,000	
Berstdruck ¹⁾	psi	1,800	1,800	1,800	2,200	2,600	4,800	6,200	7,400	8,000	10,500	
Messbereich	psi							2,000	3,000	5,000		
	bar							145	225	360		
Überlastgrenze ¹⁾	psi							4,200	6,600	10,000		
Berstdruck ¹⁾	psi							10,500	10,500	10,500		
Messprinzip	Dünnschichtsensor											
Werkstoff												
■ Messstoffberührte Teile												
- Prozessanschluss	Prozessanschluss: CrNi-Stahl 316L, nach SEMI F20 (Option: 316L VIM/VAR)											
- Drucksensor	2.4711 / UNSR 30003											
■ Gehäuse												
- Unterteil	304 SS											
- Kunststoffkopf	PBT											
- Tastatur	TPE											
- Displaykappe	PC											
Inboard Helium-Lecktest	< 1 x 10 ⁻⁹ mbar l/sec (atm STD cc/sec) nach SEMI F1											
Oberflächengüte	Elektropoliert, typ. Ra ≤ 0,13 µm (RA 5); max. Ra ≤ 0,18 µm (RA 7) nach SEMI F19											
Totraumvolumen	WUD-20 < 1,5 cm ³ , WUD-25 < 1 cm ³ , WUD-26 < 1 cm ³											
Zulässige Messstoffe	Spezialgase, Nebel, Flüssigkeiten											

1) 1 psi = 0,069 bar

11611057.04.03/2019 EN/DE

9. Technische Daten

Technische Daten	Typen WUD-20, WUD-25 und WUD-26
Hilfsenergie U+	DC 10 ... 30 V bei Ausgang 4 ... 20 mA / 0 ... 5 V DC 14 ... 30 V bei Ausgang 0 ... 10 V
Ausgangssignal und zulässige max. ohmsche Bürde R _A	4 ... 20 mA, 3-Leiter, R _A ≤ (U ₊ – 10 V) / 0,02 A DC 0 ... 5 V, 3-Leiter, R _A > 5 kΩ DC 0 ... 10 V, 3-Leiter, R _A > 10 kΩ
Leistung P _{max}	1 W
Stromverbrauch	max. 50 mA
Gesamtstromaufnahme	max. 250 mA (inkl. Schaltstrom)
Einstellbarkeit Nullpunkt	-3,5 ... +3,5 % der Spanne (durch Potentiometer) Ausgangssignal Strom -2 ... +3,5 % der Spanne (durch Potentiometer) Ausgangssignal Spannung
Antwortzeit (10 ... 90 %)	≤ 300 ms
Schaltausgang	
■ Schaltpunkte	individuell einstellbar
■ Typ	Transistorschaltausgang NPN
■ Anzahl	1 oder 2
■ Funktion	Schließer, Öffner, An, Aus
■ Schaltstrom	SP1: max. 100 mA SP2: max. 100 mA
■ Genauigkeit	≤ 0,5 % der Spanne
Isolationsspannung	DC 500 V
Anzeige	
■ Prinzip	7-Segment-LED, rot 4-stellig, Ziffernhöhe 8 mm, elektronisch um 180° drehbar
■ Genauigkeit	≤ 1,0 % der Spanne ± 1 Digit
■ Aktualisierung	0,2 / 0,5 / 1 / 5 / 10 / 60 s (einstellbar)
Genauigkeit	≤ 0,15 % der Spanne (≤ 0,4 bei Messbereich ≤ 2 bar) RSS (Root Sum Squares) ≤ 0,3 % der Spanne (≤ 0,6 bei Messbereich ≤ 2 bar) BFSL
Nichtlinearität	≤ 0,1 % der Spanne (≤ 0,15 bei Messbereich ≤ 2 bar) (BFSL) nach IEC 61298-2
Nichtwiederholbarkeit	≤ 0,12 % der Spanne
Stabilität pro Jahr	≤ 0,25 % der Spanne typ. (bei Referenzbedingungen)

DE

9. Technische Daten

Technische Daten	Typen WUD-20, WUD-25 und WUD-26
Zulässige Temperaturbereiche	
■ Messstoff	-20 ... +100 °C (-4 ... +212 °F)
■ Umgebung	-10 ... +60 °C (14 ... 140 °F)
■ Lagerung	-10 ... +60 °C (14 ... 140 °F)
Nenntemperaturbereich	-20 ... +80 °C (-4 ... +176 °F) (aktiv kompensiert)
Temperaturkoeffizienten im Nenntemperaturbereich (aktiv kompensiert)	
■ Mittlerer TK des Nullpunktes	≤ 0,1 % der Spanne/10 K
■ Mittlerer TK der Spanne	≤ 0,15 % der Spanne/10 K
CE-Kennzeichen	
■ Druckgeräterichtlinie	2014/68/EU
■ EMV-Richtlinie	2014/30/EU, EN 61326 Emission (Gruppe 1, Klasse B) und Störfestigkeit (industrieller Bereich)
■ RoHS-Richtlinie	2011/65/EU
Fertigungsumgebung	Reinraumklasse 5 nach ISO 14644
Verpackung	Doppelt verpackt nach SEMI E49.6
Schockbelastbarkeit	15 g (11 ms); 30 g (6 ms)
Vibrationsbelastbarkeit	7,5 mm oder 2 g (1 ... 200 Hz) / 5 g
Elektrische Sicherheit	
■ Kurzschlussfestigkeit	S+ gegen U-
■ Verpolschutz	U+ gegen U-
Gewicht	ca. 0,2 kg
Explosionsschutz	
■ FM-Zulassung	Non-incendive installation Class I, Division 2, Groups A, B, C, D Control drawing 14097836
■ Zulässige Umgebungstemperatur	-10 ... +60 °C (14 ... 140 °F) (T4) -10 ... +60 °C (14 ... 140 °F) (T5) -10 ... +40 °C (14 ... 104 °F) (T6)

9. Technische Daten

Technische Daten	Typen WUD-20, WUD-25 und WUD-26
■ Hilfsenergie U_+	DC 10 ... 30 V (entspricht U_i oder V_{\max})
■ Max. Strom I_{\max}	50 mA (ohne Schaltausgänge) 250 mA (mit Schaltausgängen)
■ Innere Kapazität C_i	42 nF (+0,3 nF/m bei Kabelausgang)
■ Innere Induktivität L_i	10 μ H (+2 μ H/m bei Kabelausgang)

DE

Anlage 1: EG-Konformitätserklärung Typ WUD-2x



EU-Konformitätserklärung EU Declaration of Conformity

Dokument Nr.: 14083883.03
Document No.: 14083883.03
Wir erklären in alleiniger Verantwortung, dass die mit CE gekennzeichneten Produkte
We declare under our sole responsibility that the CE marked products

Typenbezeichnung: WUD-20, WUD-25, WUD-26
Type Designation:

Beschreibung: Ultra High Purity Transducer
Description: Ultra High Purity Transducer

gemäß gültigem Datenblatt: PE 87.08
according to the valid data sheet:


die wesentlichen Schutzanforderungen der folgenden Richtlinien erfüllen: Harmonisierte Normen:
comply with the essential protection requirements of the directives: Harmonized standards:


2011/65/EU	Gefährliche Stoffe (RoHS) Hazardous substances (RoHS)	EN 50581:2012
2014/68/EU	Druckgerätekategorie (DGRL) (1) Pressure Equipment Directive (PED) (1)	
2014/30/EU	Elektromagnetische Verträglichkeit (EMV) Electromagnetic Compatibility (EMC)	EN 61326-1:2013 EN 61326-2-3:2013

(1) PS > 200 bar: Modul A, druckhaltendes Ausrüstungsteil
PS > 200 bar: Module A, pressure accessory

Unterschriftet für und im Namen von / Signed for and on behalf of

WIKAL Alexander Wiegand SE & Co. KG
Klingenberg, 2017-05-02


Fokko Stuke, Director Operations
Electronic Products – Industrial Instrumentation


Steffen Schlesionsa, Director Quality Management
Industrial Instrumentation

WIKAL Alexander Wiegand SE & Co. KG
Alexander Wiegand Straße 57
52074 Klingenberg
Germany

Tel +49 871 152-0
Fax +49 871 152-495
E-Mail: info@wika.de
www.wika.de

Kommunikationsfachkraft: Sigi Klingenberg –
Anlagenfachkraft/URB: HBA 1815
Kommunikationsfachkraft: WIKAL Verwaltungs SE & Co. KG –
Sigi Klingenberg – Anlagenfachkraft/URB:
HBA 4055

Konformitätserklärung:
WIKAL International SE, Sigi Klingenberg –
Anlagenfachkraft/URB: 1918 10103
Vorstand: Alexander Wiegand
Vorsitzende des Aufsichtsrats: Dr. Ulrike Egel

Anlage 2: Control drawing 14097836

Hazardous (Classified) Location

Not-Hazardous Location

For 1 and 2 Installation
 Class 1, Group 2, Divs. A, B, C and D
 Class 2, Group 2, Div. III
 (Note 3)



Additional Parameters

$V_{max} = 0V \dots 30V$, with a tolerance of $\pm 10\%$ and $0V \dots 30V \dots 0V$

$V_{min} = 0V \dots 30V$, with a tolerance of $\pm 10\%$ and $0V \dots 0V$

$I_{max} = 50mA$ with a switching current (max)

$I_{min} = 250mA$ with a switching current (max)

$I_{off} = 12mA$ with a switching current (max)

$I_{off} = 12mA$ with a switching current (max)

Notes

1. The non-accidental switching circuit allows the interconnection of two devices with non-inductive parameters (not specified) examined in combination as a system with the parameters SW1, SW2, SW3, SW4.

2. For this control cabinet, circuit, the parameter I_{max} is not required to be signed with the parameter I_{off} of non-inductive wiring equipment.

3. Installation should be in accordance with the National Code (EN 60364-4-41:2007) Section 742 and 743.

4. The connection to Control Equipment must be carried out in accordance with the local and PE Authorized.

5. Control Equipment manufacturer's installation drawing must be followed when installing this equipment.

6. All keys on the drawing without special approval by:

	name	WUD-2* pins	WUD-2* pins	WUD-2* pins	WUD-2* pins	WUD-2* pins
	CONTROL	Pin 1	Pin 2	Pin 3	Pin 4	Pin 5
Supply +	+V	Pin 1	Pin 2	Pin 3	Pin 4	Pin 5
Supply -	0V	Pin 1	Pin 2	Pin 3	Pin 4	Pin 5
Switching current 1	SW1	Pin 1	Pin 2	Pin 3	Pin 4	Pin 5
Switching current 2	SW2	Pin 1	Pin 2	Pin 3	Pin 4	Pin 5
Switching current 3	SW3	Pin 1	Pin 2	Pin 3	Pin 4	Pin 5
Switching current 4	SW4	Pin 1	Pin 2	Pin 3	Pin 4	Pin 5

Wiring to be in accordance with the drawing.



