

Pressure Measurement

Pressure transmitters
for gauge pressure for the paper industry

SITRANS P DS III and P300 with PMC connection - Technical description

1

Overview



The SITRANS P300 and DS III pressure transmitters have been fitted with special process connections for the paper industry. With the two process connection threads 1½" and 1" flush at the front, the SITRANS P300 and DS III transmitters can be used for all processes in the paper industry.

SITRANS P300 and SITRANS PDS III series pressure transmitters are digital pressure transmitters featuring extensive user-friendliness and high accuracy. The parameterization is performed using control keys via HART, PROFIBUS-PA or FOUNDATION Fieldbus interface.

Extensive functionality enables the pressure transmitter to be precisely adapted to the plant's requirements. Operation is very simple in spite of the numerous setting options.

Transmitters with type of protection "Intrinsic safety" and "Explosion-proof" may be installed within potentially explosive atmospheres (zone 1) or in zone 0. The transmitters are provided with an EC type examination certificate and comply with the corresponding harmonized European standards (ATEX).

Various versions of the pressure transmitters are available for measuring:

- Gauge pressure
- Level
- Mass level
- Volume level

Benefits

- High quality and service life
- High reliability even under extreme chemical and mechanical loads, e.g. abrasion.
- For aggressive and non-aggressive gases, vapors and liquids
- Extensive diagnosis and simulation functions
- Minimum conformity error
- Small long-term drift
- Wetted parts made of Hastelloy
- Infinitely adjustable measuring spans from 0.03 bar to 16 bar (0.43 psi to 232 psi) for DS III with HART interface
- Nominal measuring range from 1 bar to 16 bar (14.5 psi to 232 psi) for DS III with PROFIBUS PA and FOUNDATION Fieldbus interface
- Infinitely adjustable measuring spans from 0.03 bar to 16 bar (0.43 psi to 232 psi) for SITRANS P300 with HART interface
- Nominal measuring range from 1 bar to 16 bar (14.5 psi to 232 psi) for SITRANS P300 with PROFIBUS PA interface
- High measuring accuracy
- Parameterization over control keys and HART Communication, or over PROFIBUS PA or FOUNDATION Fieldbus interface (DS III only).

Application

The pressure transmitters of the DS III series, can be used in industrial areas with extreme chemical and mechanical loads. Electromagnetic compatibility in the range 10 kHz to 1 GHz makes the DS III pressure transmitters suitable for locations with high electromagnetic emissions.

Pressure transmitters with type of protection "Intrinsic safety" and "Explosion-proof" may be installed within potentially explosive atmospheres (zone 1) or in zone 0. The pressure transmitters are provided with an EC type examination certificate and comply with the corresponding harmonized European standards (ATEX).

Pressure transmitters with the type of protection "Intrinsic safety" for use in zone 0 may be operated with power supply units of category "ia" and "ib".

The transmitters can be equipped with various designs of remote seals for special applications such as the measurement of highly viscous substances.

The pressure transmitter can be operated locally over 3 control keys or programmed externally over HART or over PROFIBUS-PA or FOUNDATION Fieldbus interface (only DS III).

SITRANS P, DS III series

Measured variable: Gauge pressure of aggressive and non-aggressive gases, vapors and liquids.

Measuring span (infinitely adjustable)

For DS III with HART: 0.03 ... 16 bar (0.433 ... 232 psi)

Nominal measuring range

For DS III with PROFIBUS PA or FOUNDATION Fieldbus: 1 ... 16 bar (14.5 ... 232 psi)

SITRANS P300

Measuring span (infinitely adjustable)

For DS III with HART: 0.03 ... 16 bar (0.433 ... 232 psi)

Nominal measuring range

For DS III with PROFIBUS PA or FOUNDATION Fieldbus: 1 ... 16 bar (14.5 ... 232 psi)

Pressure Measurement

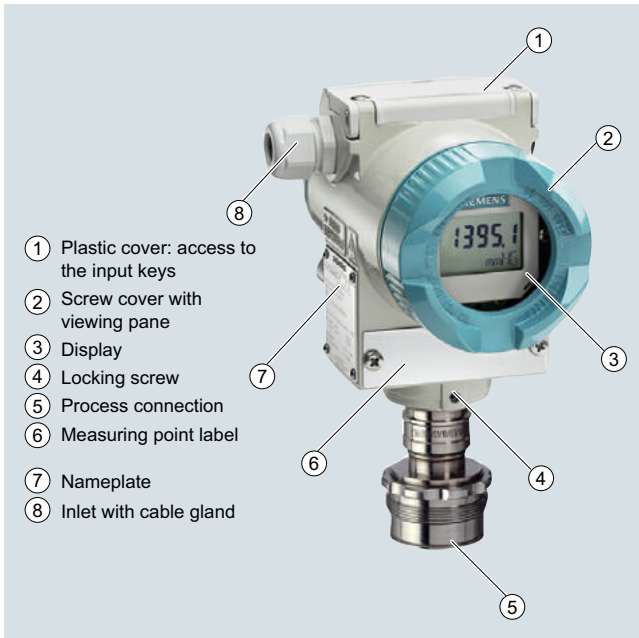
Pressure transmitters for gauge pressure for the paper industry

SITRANS P DS III and P300 with PMC connection - Technical description

1

Design

SITRANS P DS III



Device front view, SITRANS P DS III

The transmitter consists of various components depending on the order. The possible versions are listed in the ordering information. The components described below are the same for all transmitters.

The rating plate (7, Figure "Device front view") with the Article No. is located on the side of the enclosure. The specified number together with the ordering information provide details on the optional design details and on the possible measuring range (physical properties of built-in sensor element).

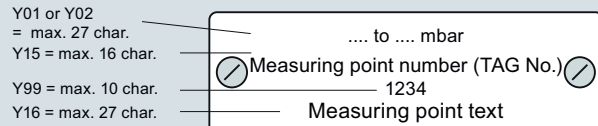
The approval label is located on the opposite side.

The enclosure is made of die-cast aluminium or stainless steel precision casting. A round cover is screwed on at the front and rear of the enclosure. The front cover (2) can be fitted with a viewing pane so that the measured values can be read directly on the display. The inlet (8) for the electrical connection is located either on the left or right side. The unused opening on the opposite side is sealed by a blanking plug. The protective earth connection is located on the rear of the enclosure.

The electrical connections for the power supply and screen are accessible by unscrewing the rear cover. The bottom part of the enclosure contains the measuring cell with process connection (5). The measuring cell is prevented from rotating by a locking screw (4). As the result of this modular design, the measuring cell and the electronics can be replaced separately from each other. The set parameter data are retained.

At the top of the enclosure is a plastic cover (1), which hides the input keys.

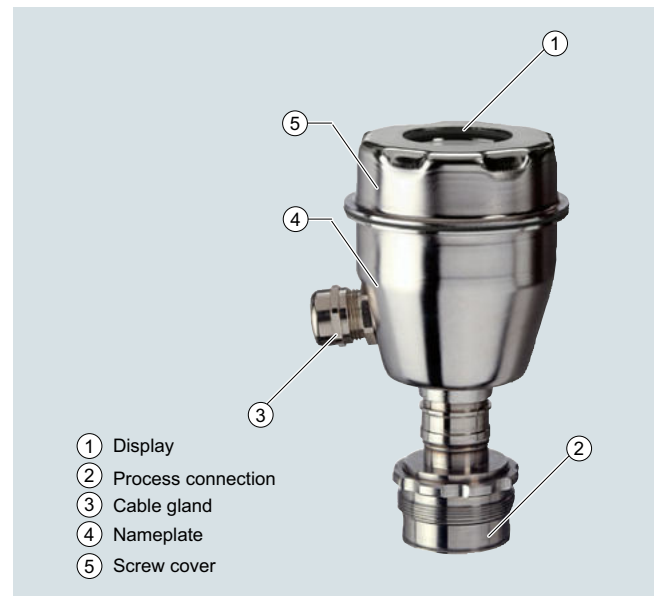
Example for an attached measuring point label



SITRANS P300

The device comprises:

- Electronics
- Enclosure
- Measuring cell



Perspective view of the SITRANS P300

The enclosure has a screw-on lid (5) and, depending on the version, is with or without an inspection window. The electrical terminal enclosure, the buttons for operation of the device are located under this lid and, depending on the version, the display. The connections for the auxiliary power UH and the shield are in the terminal enclosure. The cable gland is on the side of the enclosure. The measuring cell with the process connection (2) is located on the bottom of the enclosure. The measuring cell with the process connection may differ from the one shown in the diagram, depending on the device version.

Pressure Measurement

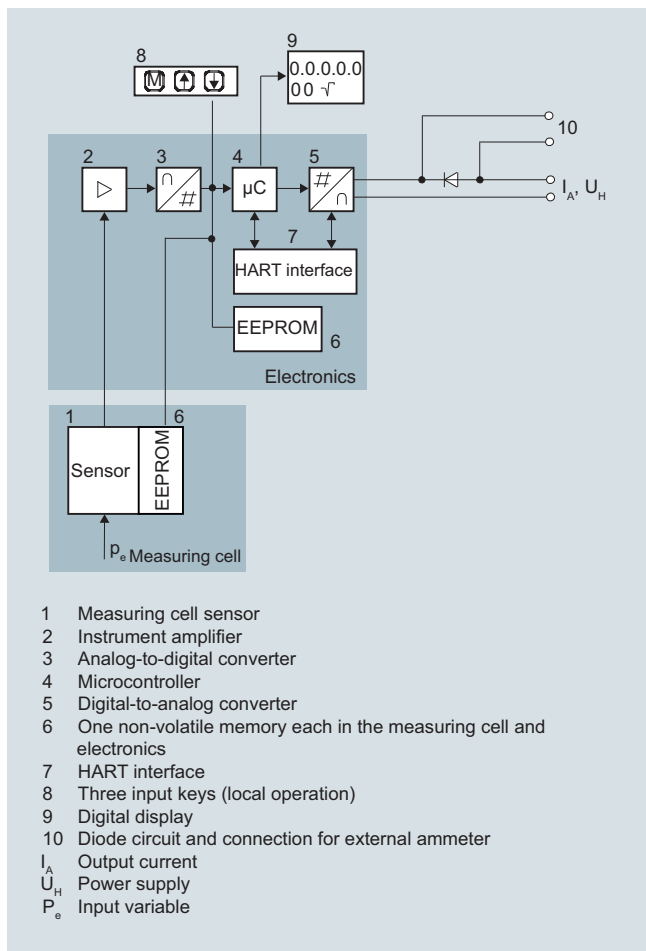
Pressure transmitters
for gauge pressure for the paper industry

SITRANS P DS III and P300 with PMC connection - Technical description

1

Function

Operation of electronics with HART communication



Function diagram of electronics

The bridge output voltage created by the sensor (1, Figure "Function diagram of electronics") is amplified by the measuring amplifier (2) and digitized in the analog-to-digital converter (3). The digital information is evaluated in a microcontroller, its linearity and temperature response corrected, and converted in a digital-to-analog converter (5) into an output current of 4 to 20 mA.

The diode circuit (10) protects against incorrect polarity.

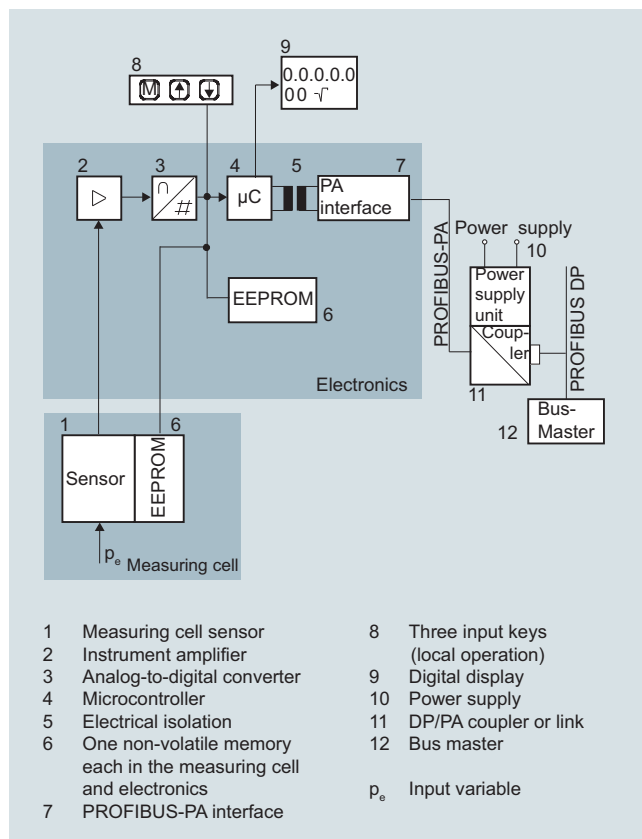
The data specific to the measuring cell, the electronics data, and the parameter data are stored in the two non-volatile memories (6). The one memory is coupled to the measuring cell, the other to the electronics. As the result of this modular design, the electronics and the measuring cell can be replaced separately from each other.

Using the 3 input keys (8) you can parameterize the pressure transmitter directly at the measuring point. The input buttons can also be used to control the view of the results, the error messages and the operating modes on the display (9).

The HART modem (7) permits parameterization using a protocol according to the HART specification.

The pressure transmitters with measuring measuring spans ≤ 63 bar (914 psi) measure the input pressure compared to atmosphere, the transmitters with measuring measuring spans 160 bar (2320 psi) measure compared to vacuum.

Operation of electronics with PROFIBUS PA communication



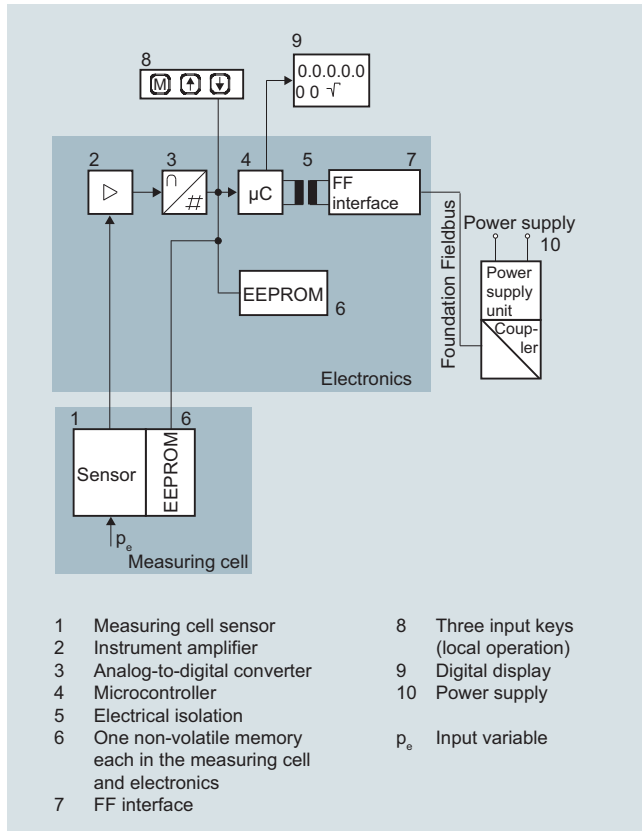
Function diagram of electronics

The bridge output voltage created by the sensor (1, Figure "Function diagram of electronics") is amplified by the measuring amplifier (2) and digitized in the analog-to-digital converter (3). The digital information is evaluated in the microcontroller, its linearity and temperature response corrected, and provided on the PROFIBUS PA through an electrically isolated PA interface (7).

The data specific to the measuring cell, the electronics data, and the parameter data are stored in the two non-volatile memories (6). The first memory is linked with the measuring cell, the second with the electronics. This modular design means that the electronics and the measuring cell can be replaced separately from one another.

Using the three input buttons (8) you can parameterize the pressure transmitter directly at the measuring point. The input buttons can also be used to control the view of the results, the error messages and the operating modes on the display (9).

The results with status values and diagnostic values are transferred by cyclic data transmission on the PROFIBUS PA. Parameterization data and error messages are transferred by acyclic data transmission. Special software such as SIMATIC PDM is required for this.

Operation of electronics with FOUNDATION Fieldbus communication

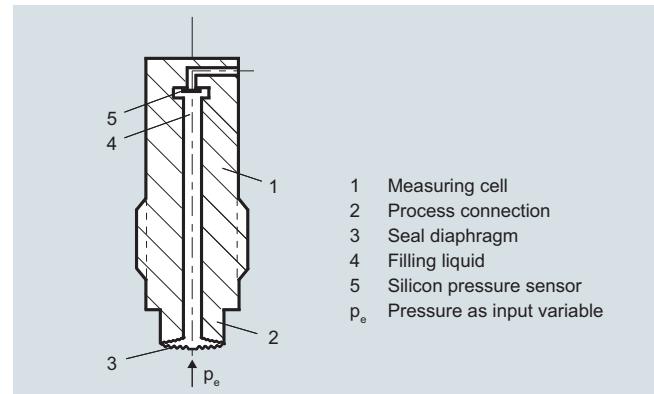
Function diagram of electronics

The bridge output voltage created by the sensor (1, Figure "Function diagram of electronics") is amplified by the measuring amplifier (2) and digitized in the analog-to-digital converter (3). The digital information is evaluated in the microcontroller, its linearity and temperature response corrected, and provided on the FOUNDATION Fieldbus through an electrically isolated FOUNDATION Fieldbus interface (7).

The data specific to the measuring cell, the electronics data, and the parameter data are stored in the two non-volatile memories (6). The one memory is coupled to the measuring cell, the other to the electronics. As the result of this modular design, the electronics and the measuring cell can be replaced separately from each other.

Using the three input buttons (8) you can parameterize the pressure transmitter directly at the measuring point. The input buttons can also be used to control the view of the results, the error messages and the operating modes on the display (9).

The results with status values and diagnostic values are transferred by cyclic data transmission on the FOUNDATION Fieldbus. Parameterization data and error messages are transferred by acyclic data transmission. Special software such as National Instruments Configurator is required for this.

Mode of operation of the measuring cell**Measuring cell for gauge pressure with front-flush diaphragm**

Measuring cell for gauge pressure, with front-flush diaphragm for paper industry, function diagram

The pressure p_e is applied through the process connection (2, Figure "Measuring cell for gauge pressure, with front-flush diaphragm for paper industry, function diagram") to the measuring cell (1). This pressure is subsequently transmitted further through the seal diaphragm (3) and the filling liquid (4) to the silicon pressure sensor (5) whose measuring diaphragm is then flexed. This changes the resistance of the four piezo-resistors fitted in the diaphragm in a bridge circuit. This change in resistance results in a bridge output voltage proportional to the absolute pressure.

Parameterization

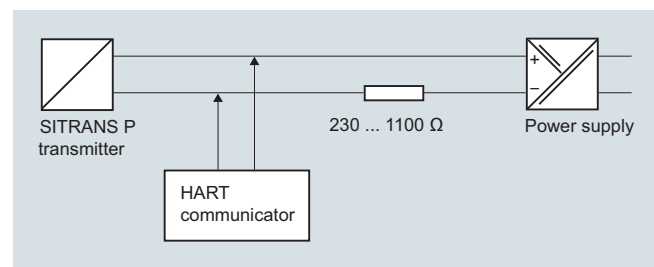
Depending on the version, there are a range of options for parameterizing the pressure transmitter and for setting or scanning the parameters.

Parameterization using the input buttons (local operation)

With the input buttons you can easily set the most important parameters without any additional equipment.

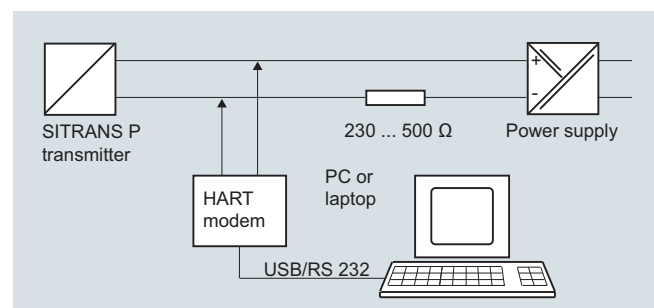
Parameterization using HART

Parameterization using HART is performed with a HART Communicator or a PC.



Communication between a HART Communicator and a pressure transmitter

When parameterizing with the HART Communicator, the connection is made directly to the 2-wire cable.



HART communication between a PC communicator and a pressure transmitter

Pressure Measurement

Pressure transmitters
for gauge pressure for the paper industry

1

SITRANS P DS III and P300 with PMC connection - Technical description

When parameterizing with a PC, the connection is made through a HART modem.

The signals needed for communication in conformity with the HART 5.x or 6.x protocols are superimposed on the output current using the Frequency Shift Keying (FSK) method.

Adjustable parameter DS III with HART and P300 with HART

Parameters	Input keys	HART communication
Lower range value	x	x
Upper range value	x	x
Electrical damping	x	x
Lower range value without application of a pressure ("Blind setting")	x	x
Upper range value without application of a pressure ("Blind setting")	x	x
Zero adjustment	x	x
current transmitter	x	x
Fault current	x	x
Disabling of buttons, write protection	x	x ¹⁾
Type of dimension and actual dimension	x	x
Characteristic (linear)	x	x
Input of characteristic		x
Freely-programmable LCD		x
Diagnostic functions		x

¹⁾ Cancel apart from write protection

Diagnostic functions for DS III with HART and P300 with HART

- Zero correction display
- Event counter
- Limit transmitter
- Saturation alarm
- Slave pointer
- Simulation functions
- Maintenance timer

Available physical units of display for DS III with HART and P300 with HART

Physical variable	Physical dimensions
Pressure (setting can also be made in the factory)	Pa, MPa, kPa, bar, mbar, torr, atm, psi, g/cm ² , kg/cm ² , inH ₂ O, inH ₂ O (4 °C), mmH ₂ O, ftH ₂ O (20 °C), inHg, mmHg
Level (height data)	m, cm, mm, ft, in
Volume	m ³ , dm ³ , hl, yd ³ , ft ³ , in ³ , US gallon, Imp. gallon, bushel, barrel, barrel liquid
Mass	g, kg, t, lb, Ston, Lton, oz
Temperature	K, °C, °F, °R
Miscellaneous	%, mA

Parameterization through PROFIBUS PA interface

Fully digital communication through PROFIBUS PA, profile 3.0, is particularly user-friendly. The PROFIBUS connects the DS III PA to a process control system, e.g. SIMATIC PSC 7. Communication is possible even in a potentially explosive environment.

For parameterization through PROFIBUS you need suitable software, e.g. SIMATIC PDM (Process Device Manager).

Parameterization through FOUNDATION Fieldbus interface

Fully digital communication through FOUNDATION Fieldbus is particularly user-friendly. Through the FOUNDATION Fieldbus the DS III with FOUNDATION Fieldbus is connected to a process control system. Communication is possible even in a potentially explosive environment.

For parameterization through the FOUNDATION Fieldbus you need suitable software, e.g. National Instruments Configurator.

Adjustable parameters for DS III with PROFIBUS PA and FOUNDATION Fieldbus, and P300 with PROFIBUS PA and FOUNDATION Fieldbus

Adjustable parameters	Input keys	PROFIBUS PA and FOUNDATION Fieldbus interface
Electrical damping	x	x
Zero adjustment (correction of position)	x	x
Buttons and/or function disabling	x	x
Source of measured-value display	x	x
Physical dimension of display	x	x
Position of decimal point	x	x
Bus address	x	x
Adjustment of characteristic	x	x
Input of characteristic		x
Freely-programmable LCD		x
Diagnostic functions		x

Diagnostic functions for DS III with PROFIBUS PA and FOUNDATION Fieldbus, and P300 with PROFIBUS PA and FOUNDATION Fieldbus

- Event counter
- Slave pointer
- Maintenance timer
- Simulation functions
- Display of zero correction
- Limit transmitter
- Saturation alarm

Physical dimensions available for the display

Physical variable	Physical dimensions
Pressure (setting can also be made in the factory)	MPa, hPa, kPa, Pa, bar, mbar, torr, atm, psi, g/cm ² , kg/cm ² , mmH ₂ O, mmH ₂ O (4 °C), inH ₂ O, inH ₂ O (4 °C), ftH ₂ O, mmHg, inHg
Level (height data)	m, cm, mm, ft, in, yd
Mass	g, kg, t, lb, Ston, Lton, oz
Volume	m ³ , dm ³ , hl, yd ³ , ft ³ , in ³ , US gallon, Imp. gallon, bushel, barrel, barrel liquid
Temperature	K, °C, °F, °R
Miscellaneous	%

Technical specifications

SITRANS P, DS III series for gauge pressure with PMC connection for the paper industry

Input		Gauge pressure			
		HART	PROFIBUS PA/ FOUNDATION Fieldbus		
		Measuring span	Nominal measuring range	Max. operating pressure MAWP (PS)	Max. perm. test pressure
Measured variable		0.01 ... 1 bar	1 bar	4 bar	6 bar
Measuring span (infinitely adjustable) or nominal measuring range, max. operating pressure and max. test pressure		1 ... 100 kPa	100 kPa	400 kPa	600 kPa
		0.15 ... 14.5 psi	14.5 psi	58 psi	87 psi
		0.04 ... 4 bar	4 bar	7 bar	10 bar
		4 ... 400 kPa	400 kPa	0.7 MPa	1 MPa
		0.58 ... 58 psi	58 psi	102 psi	145 psi
		0.16 ... 16 bar	16 bar	21 bar	32 bar
		16 ... 1600 kPa	1600 kPa	2.1 MPa	3.2 MPa
		2.3 ... 232 psi	232 psi	305 psi	464 psi
Lower measuring limit (For PMC-Style Minibolt no measuring span < 500 mbar adjustable)		100 mbar a/10 kPa a/1.45 psi a			
Upper measuring limit		100% of max. measuring span			
Output		HART	PROFIBUS PA/ FOUNDATION Fieldbus		
Output signal		4 ... 20 mA	Digital PROFIBUS PA and FOUNDATION Fieldbus signal		
• Lower limit (infinitely adjustable)		3.55 mA, factory preset to 3.84 mA	-		
• Upper limit (infinitely adjustable)		23 mA, factory preset to 20.5 mA or optionally set to 22.0 mA	-		
Load		$R_B \leq (U_H - 10.5 \text{ V})/0.023 \text{ A in } \Omega$ U_H : Power supply in V	-		
• Without HART communication			-		
• With HART communication		$R_B = 230 \dots 500 \Omega$ (SIMATIC PDM) or $R_B = 230 \dots 1100 \Omega$ (HART-Communicator)	-		
Physical bus		-	IEC 61158-2		
Protection against polarity reversal		Protected against short-circuit and polarity reversal. Each connection against the other with max. supply voltage.			
Electrical damping (step width 0.1 s)		Set to 2 s (0 ... 100 s)			
Measuring accuracy		Acc. to IEC 60770-1			
Reference conditions (All error data refer always refer to the set span)		<ul style="list-style-type: none"> Increasing characteristic Lower range value 0 bar/kPa/psi Stainless steel seal diaphragm Silicone oil filling Room temperature 25 °C (77 °F) 			
Measuring span ratio r (spread, Turn-Down)		$r = \text{max. measuring span/set measuring span or nom. pressure range}$			
Error in measurement at limit setting incl. hysteresis and reproducibility		<ul style="list-style-type: none"> Linear characteristic - $r \leq 5$ $\leq 0.075 \%$ - $5 < r \leq 100$ $\leq (0.005 \cdot r + 0.05) \%$ 			
Influence of ambient temperature (in percent per 28 °C (50 °F))		$\leq (0.08 \cdot r + 0.16) \%$			
Long-term stability (temperature change $\pm 30 \text{ }^\circ\text{C}$ ($\pm 54 \text{ }^\circ\text{F}$))		$\leq (0.25 \cdot r) \%$ in 5 years			
Effect of mounting position		$\leq 0.1 \text{ mbar}/0.01 \text{ kPa}/0.00145 \text{ psi}$ per 10° inclination (zero point correction is possible with position error compensation)			
Effect of auxiliary power supply (in percent per change in voltage)		0.005 % per 1 V			
Measuring value resolution for PROFIBUS PA and FOUNDATION Fieldbus		$3 \cdot 10^{-5}$ of nominal measuring range			

Pressure Measurement

Pressure transmitters
for gauge pressure for the paper industry

SITRANS P DS III with PMC connection

1

SITRANS P, DS III series for gauge pressure with PMC connection for the paper industry		
	HART	PROFIBUS PA and FOUNDATION Fieldbus
Operating conditions		
Degree of protection	IP66 (optional IP66/IP68)	
<ul style="list-style-type: none"> • according to EN 60529 • according to NEMA 250 	Type 4X	
Temperature of medium	-40 ... +100 °C (-40 ... +212 °F)	
Ambient conditions		
<ul style="list-style-type: none"> • Ambient temperature 	-20 ... +85 °C (-4 ... +185 °F)	
- Transmitter	-40 ... +85 °C (-40 ... +185 °F)	
<ul style="list-style-type: none"> • Storage temperature 	-50 ... +85 °C (-58 ... +185 °F)	
<ul style="list-style-type: none"> • Climatic class 		
- Condensation	Relative humidity 0 ... 100 % Condensation permissible, suitable for use in the tropics	
<ul style="list-style-type: none"> • Electromagnetic Compatibility 		
- Emitted interference and interference immunity	Acc. to IEC 61326 and NAMUR NE 21	
Design		
Weight (without options)	≈ 1.5 kg (≈ 3.3 lb)	
Enclosure material	Low-copper die-cast aluminum, GD-AISI12 or stainless steel precision casting, mat. no. 1.4408	
Wetted parts materials		
<ul style="list-style-type: none"> • Gasket (standard) 	PTFE flat gasket	
<ul style="list-style-type: none"> • O-ring (minibolt) 	FPM (Viton) or optionally: FFPM or NBR	
Measuring cell filling	Silicone oil or inert filling liquid	
Process connection (standard)	Flush-mounted, 1½", PMC Standard design	
Process connection (minibolt)	Flush-mounted, 1", minibolt design	
Power supply U_H		
Terminal voltage on transmitter	10.5 ... 45 V DC 10.5 ... 30 V DC in intrinsically-safe mode	-
Power supply	-	Supplied through bus
Separate supply voltage	-	Not necessary
Bus voltage		
<ul style="list-style-type: none"> • Not Ex 	-	9 ... 32 V
<ul style="list-style-type: none"> • With intrinsically-safe operation 	-	9 ... 24 V
Current consumption		
<ul style="list-style-type: none"> • Basic current (max.) 	-	12.5 mA
<ul style="list-style-type: none"> • Start-up current ≤ basic current 	-	Yes
<ul style="list-style-type: none"> • Max. current in event of fault 	-	15.5 mA
Fault disconnection electronics (FDE) available	-	Yes
Certificates and approvals		
Classification according to PED 2014/68/EU	For gases of fluid group 1 and liquids of fluid group 1; complies with requirements of article 4, paragraph 3 (sound engineering practice)	

Pressure Measurement

Pressure transmitters for gauge pressure for the paper industry

SITRANS P DS III with PMC connection

1

HART communication		FOUNDATION Fieldbus communication	
HART communication	230 ... 1100 Ω	Function blocks	3 function blocks analog input, 1 function block PID
Protocol	HART Version 5.x	• Analog input	Yes, linearly rising or falling characteristic
Software for computer	SIMATIC PDM	- Adaptation to customer-specific process variables	0 ... 100 s
PROFIBUS PA communication		- Electrical damping, adjustable	Output/input (can be locked within the device with a bridge)
Simultaneous communication with master class 2 (max.)	4	- Simulation function	parameterizable (last good value, substitute value, incorrect value)
The address can be set using	Configuration tool or local operation (standard setting address 126)	- Failure mode	Yes, one upper and lower warning limit and one alarm limit respectively
Cyclic data usage		- Limit monitoring	Yes
• Output byte	5 (one measured value) or 10 (two measured values)	- Square-rooted characteristic for flow measurement	Standard FOUNDATION Fieldbus function block
• Input byte	0, 1, or 2 (register operating mode and reset function for metering)	• PID	1 resource block
Internal preprocessing		• Physical block	1 transducer block Pressure with calibration, 1 transducer block LCD
Device profile	PROFIBUS PA Profile for Process Control Devices Version 3.0, class B	Transducer blocks	
Function blocks	2	• Pressure transducer block	
• Analog input		- Can be calibrated by applying two pressures	Yes
- Adaptation to customer-specific process variables	Yes, linearly rising or falling characteristic	- Monitoring of sensor limits	Yes
- Electrical damping, adjustable	0 ... 100 s	- Simulation function: Measured pressure value, sensor temperature and electronics temperature	Constant value or over parameterizable ramp function
- Simulation function	Input /Output		
- Failure mode	parameterizable (last good value, substitute value, incorrect value)		
- Limit monitoring	Yes, one upper and lower warning limit and one alarm limit respectively		
• Register (totalizer)	Can be reset, preset, optional direction of counting, simulation function of register output		
- Failure mode	parameterizable (summation with last good value, continuous summation, summation with incorrect value)		
- Limit monitoring	One upper and lower warning limit and one alarm limit respectively		
• Physical block	1		
Transducer blocks	2		
• Pressure transducer block			
- Can be calibrated by applying two pressures	Yes		
- Monitoring of sensor limits	Yes		
- Specification of a container characteristic with	Max. 30 nodes		
- Square-rooted characteristic for flow measurement	Yes		
- Gradual volume suppression and implementation point of square-root extraction	Parameterizable		
- Simulation function for measured pressure value and sensor temperature	Constant value or over parameterizable ramp function		

Pressure Measurement

Pressure transmitters
for gauge pressure for the paper industry

SITRANS P DS III with PMC connection

1

Selection and Ordering data	Article No.
SITRANS P pressure transmitters for gauge pressure, with PMC connection series DS III with HART	7 MF 4 1 3 3 -
Click on the Article No. for the online configuration in the PIA Life Cycle Portal.	
Measuring cell filling	
Silicone oil	1
Inert liquid	3
Measuring cell-cleaning	
normal	1
grease-free to cleanliness level 2	3
Measuring span (min. ... max.)	
0.01 ... 1 bar ¹⁾ (0.15 ... 14.5 psi) ¹⁾	B
0.04 ... 4 bar (0.58 ... 58 psi)	C
0.1.6 ... 16 bar (2.32 ... 232 psi)	D
Wetted parts materials	
Seal diaphragm	
Connection shank	
Hastelloy	B
Stainless steel	
Process connection	
• PMC Style Standard: Thread 1½"	2
• PMC Style Minibolt: front-flush 1" (not with minimum measuring span: 500 mbar (7.25 psi) - version "B")	3
Non-wetted parts materials	
• Enclosure made of die-cast aluminium	0
• Enclosure stainless steel precision casting	3
Version	
• Standard version, German plate inscription, setting for pressure unit: bar	1
• International version, English plate inscription, setting for pressure unit: bar	2
• Chinese version, English plate inscription, setting for pressure unit: Pascal	3
All versions include DVD with compact operating instructions in various EU languages.	
Explosion protection	
• None	A
• With ATEX, Type of protection:	
- "Intrinsic safety (Ex ia)"	B
- "Explosion-proof (Ex d)" ²⁾	D
- „Ex nA/ic (Zone 2)" ³⁾	E
• FM + CSA intrinsic safe (is) ⁴⁾	F
• With FM + CSA, Type of protection:	
- "Intrinsic Safe and Explosion Proof (is + xp)" ³⁾⁴⁾	NC
Electrical connection / cable entry	
• Female thread M20 x 1.5	B
• Female thread ½-14 NPT	C
• Device plugs M12 (stainless steel) ^{5) 6)}	F
Display	
• Without display	0
• Without visible display (display concealed, setting: mA)	1
• With visible display (setting: mA)	6
• With customer-specific display (setting as specified, Order code "Y21" required)	7

Power supply units see Chap. 7 "Supplementary Components".

Included in delivery of the device:

- Quick-start guide
- Sealing ring

- 1) Only with "PMC Style Standard" process connection
- 2) Without cable gland, with blanking plug
- 3) Configurations with device plugs M12 are only available in Ex ic.
- 4) Explosion protection acc. to FM/CSA: suitable for installations according to NEC 500/505.
- 5) Only in connection with Ex approval A, B, E or F.
- 6) M12 delivered without cable socket

Selection and Ordering data	Article No.
SITRANS P pressure transmitter for gauge pressure, with PMC connection DS III with PROFIBUS PA (PA)	7 MF 4 1 3 4 -
DS III with FOUNDATION Fieldbus (FF)	7 MF 4 1 3 5 -
Click on the Article No. for the online configuration in the PIA Life Cycle Portal.	
Measuring cell filling	
Silicone oil	1
Inert liquid	3
Meas. cell cleaning	
normal	1
grease-free to cleanliness level 2	3
Nominal measuring range	
1 bar ¹⁾ (14.5 psi) ¹⁾	B
4 bar (58 psi)	C
16 bar (232 psi)	D
Wetted parts materials	
Seal diaphragm	
Connection shank	
Hastelloy	B
Stainless steel	
Process connection²⁾	
• PMC Style Standard: Thread 1½"	2
• PMC Style Minibolt: front-flush 1" (minimum measuring span: 500 mbar (7.25 psi), not available with 1-bar-measuring cell (Option B))	3
Non-wetted parts materials	
• Enclosure made of die-cast aluminium	0
• Enclosure stainless steel precision casting	3
Version	
• Standard version, German plate inscription, setting for pressure unit: bar	1
• International version, English plate inscription, setting for pressure unit: bar	2
• Chinese version, English plate inscription, setting for pressure unit: Pascal	3
All versions include DVD with compact operating instructions in various EU languages.	
Explosion protection	
• None	A
• With ATEX, Type of protection:	
- "Intrinsic safety (Ex ia)"	B
- "Explosion-proof (Ex d)" ³⁾	D
- „Ex nA/ic (Zone 2)" ⁴⁾	E
• FM + CSA intrinsic safe (is) ⁵⁾	F
• With FM + CSA, Type of protection:	
- "Intrinsic Safe and Explosion Proof (is + xp)" ³⁾⁵⁾	NC
Electrical connection / cable entry	
• Female thread M20 x 1.5	B
• Female thread ½-14 NPT	C
• Device plugs M12 (stainless steel) ^{6) 7)}	F
Display	
• Without display	0
• Without visible display (display concealed, setting: bar)	1
• With visible display (setting: bar)	6
• With customer-specific display (setting as specified, Order code "Y21" required)	7

Included in delivery of the device:

- Quick-start guide
- Sealing ring

- 1) Only with "PMC Style Standard" process connection
- 2) Sealing is included in delivery.
- 3) Without cable gland, with blanking plug
- 4) Configurations with device plugs M12 are only available in Ex ic.
- 5) Explosion protection acc. to FM/CSA: suitable for installations according to NEC 500/505
- 6) Only in connection with Ex approval A, B, E or F.
- 7) M12 delivered without cable socket

Pressure Measurement

Pressure transmitters for gauge pressure for the paper industry

SITRANS P DS III with PMC connection

1

Selection and Ordering data	Order code			
Further designs		HART	PA	FF
Add "-Z" to Article No. and specify Order code.				
Device plugs				
• Angled	A32	✓		
• Han 8D (metal, gray)	A33	✓		
M12 cable sockets (metal (CuZn))	A50	✓	✓	✓
Rating plate inscription (instead of German)				
• English	B11	✓	✓	✓
• French	B12	✓	✓	✓
• Spanish	B13	✓	✓	✓
• Italian	B14	✓	✓	✓
• Cyrillic (russian)	B16	✓	✓	✓
English rating plate	B21	✓	✓	✓
Pressure units in inH ₂ O and/or psi				
Quality test certificate, 5-point factory calibration (IEC 60770-2)	C11	✓	✓	✓
Inspection certificate Acc. to EN 10204-3.1	C12	✓	✓	✓
Factory certificate Acc. to EN 10204-2.2	C14	✓	✓	✓
"Functional safety (SIL2)" certificate acc. to IEC 61508	C20	✓		
"Functional safety (SIL2/3)" certificate acc. to IEC 61508	C23	✓		
PED for Russia with initial calibration mark	C99	✓	✓	✓
Setting of the upper saturation limit of the output signal to 22.0 mA	D05	✓	✓	✓
Degree of protection IP66/IP68 (only for M20 x 1.5 and ½-14 NPT)	D12	✓	✓	✓
Export approval Korea	E11	✓	✓	✓
Explosion-proof "Intrinsic safety" to NEPSI (China) (only for transmitter 7MF4...-...-B..)	E55 ¹⁾	✓	✓	✓
Explosion protection "Explosion-proof" to NEPSI (China) (only for transmitter 7MF4...-...-D..)	E56 ¹⁾	✓	✓	✓
Ex protection "Zone 2" to NEPSI (China) (only for transmitter 7MF4...-...-E..)	E57 ¹⁾	✓	✓	✓
Ex protection „Ex ia", „Ex d" and „Zone 2" to NEPSI (China) (only for transmitter 7MF4...-...-R..)	E58 ¹⁾	✓	✓	✓
Mounting				
• Weldable sockets for standard 1½" threaded connection	P01	✓	✓	✓
• Weldable socket for minibolt connection 1" (incl. screw 5/16-18 UNC-2B and washer)	P02	✓	✓	✓

Selection and Ordering data	Order code			
Additional data		HART	PA	FF
Please add "-Z" to Article No. and specify Order code(s) and plain text.				
Measuring range to be set	Y01	✓	✓ ¹⁾	
Specify in plain text (max. 5 characters): Y01: ... up to ... mbar, bar, kPa, MPa, psi				
Stainless steel tag plate and entry in device variable (measuring point description)	Y15	✓	✓	✓
Max. 16 characters, specify in plain text: Y15:				
Measuring point text (entry in device variable)	Y16	✓	✓	✓
Max. 27 characters, specify in plain text: Y16:				
Entry of HART address (TAG)	Y17	✓		
Max. 8 characters, specify in plain text: Y17:				
Setting of pressure indication in pressure units	Y21	✓	✓	✓
Specify in plain text (standard setting: bar): Y21: mbar, bar, kPa, MPa, psi, ... Note: The following pressure units can be selected: bar, mbar, mm H ₂ O ^{*)} , inH ₂ O ^{*)} , ftH ₂ O ^{*)} , mmHG, inHG, psi, Pa, kPa, MPa, g/cm ² , kg/cm ² , Torr, ATM or % *) ref. temperature 20 °C				
Setting of pressure indication in non-pressure units²⁾	Y22 + Y01	✓		
Specify in plain text: Y22: up to l, m ³ , m, USg, ... (specification of measuring range in pressure units "Y01" is essential, unit with max. 5 characters)				
Preset bus address	Y25		✓	✓
possible between 1 and 126 Max. 8 characters, specify in plain text: Y25:				
Only "Y01" and "Y21" can be factory preset ✓ = available				
ordering example				
Item line: 7MF4133-1DB20-1AB7-Z				
B line: C11 + Y01 + Y21				
C line: Y01: 1 ... 10 bar (14.5 ... 145 psi)				
C line: Y21: bar (psi)				
¹⁾ Measuring accuracies for PROFIBUS PA transmitters with Option Y01 are calculated in the same way as for HART devices.				
²⁾ Preset values can only be changed over SIMATIC PDM.				

¹⁾ When the additional ex option is selected, the ATEX marking on the device is omitted. Only the Ex option selected via the Z option is marked.

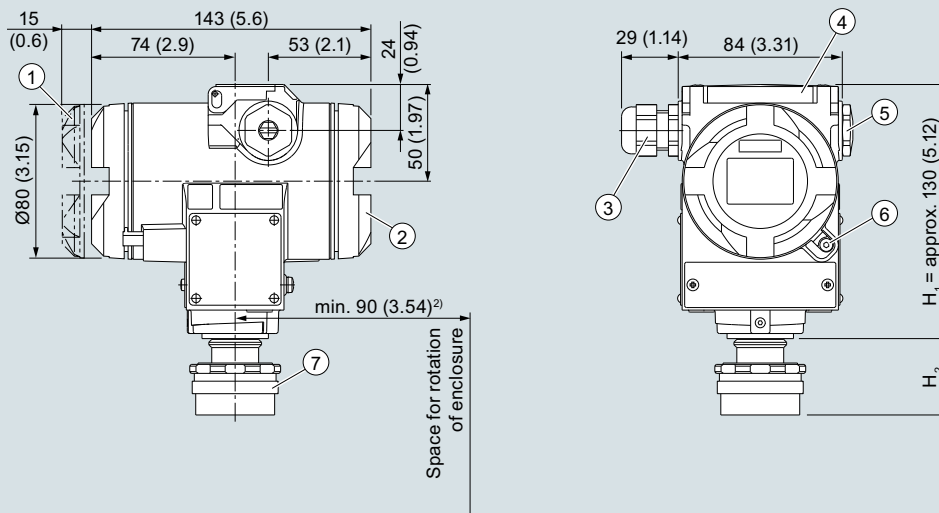
Pressure Measurement

Pressure transmitters
for gauge pressure for the paper industry

SITRANS P DS III with PMC connection

1

Dimensional drawings



- ① Electronics side, local display (longer overall length for cover with inspection window)¹⁾
- ② Connection side¹⁾
- ③ Electrical connection:
 - M20 x 1,5 screw gland
 - ½-14 NPT screw gland
 - M12 device plug

- ④ Cover over buttons
- ⑤ Blanking plug
- ⑥ Safety catch (only for "flameproof enclosure" type of protection; not shown in the drawing)
- ⑦ Process connection: PMC standard

¹⁾ In addition, allow approx. 20 mm (0.79 inch) for the thread length
²⁾ 92 mm (3.62 inch) minimum distance for rotating with indicator

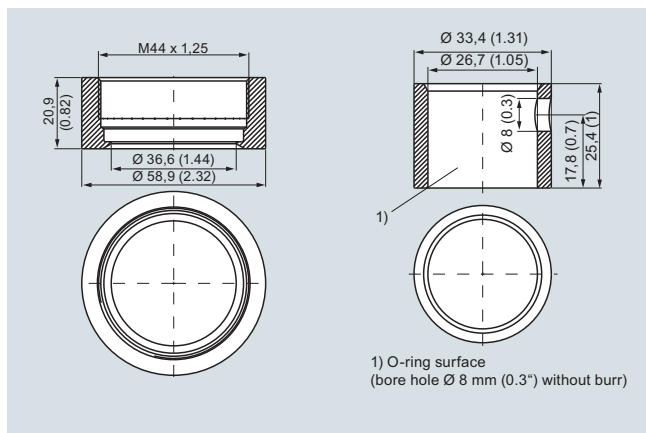
SITRANS P DS III pressure transmitters for gauge pressure, with PMC connection, dimensions in mm (inch)

The diagram shows a SITRANS P DS III with an example of a flange. In this drawing the height is subdivided into H₁ and H₂.

H₁ = Height of the SITRANS P DS III up to a defined cross-section

H₂ = Height of the flange up to this defined cross-section

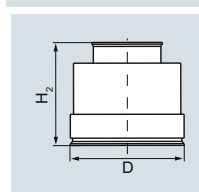
Only the height H₂ is indicated in the dimensions of the flanges.



PMC Style Standard (left) and PMC Style Minibolt (right) weldable sockets, dimensions in mm (inch)

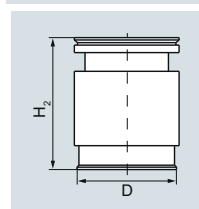
Material: Stainless steel, Mat. No. 1.4404/316L

PMC Style standard



DN	PN	ØD	H ₂
		40.9 mm (1.6")	approx. 36.8 mm (1.4")

PMC Style minibolt



DN	PN	ØD	H ₂
		26.3 mm (1.0")	approx. 33.1 mm (1.3")

Technical specifications

SITRANS P300 for gauge pressure with PMC connection for the paper industry

Input																					
Measured variable	Gauge pressure (front-flush)																				
Measuring span (infinitely adjustable) or nominal measuring range and max. permissible test pressure	<table border="1"> <thead> <tr> <th>HART</th> <th>PROFIBUS PA/ FOUNDATION Fieldbus</th> <th>Max. operating pressure MAWP (PS)</th> <th>Max. perm. test pressure</th> </tr> </thead> <tbody> <tr> <td>Measuring span</td> <td>Nominal measuring range</td> <td></td> <td></td> </tr> <tr> <td>0.01 ... 1 bar 1 ... 100 kPa 0.15 ... 14.5 psi</td> <td>1 bar 100 kPa 14.5 psi</td> <td>4 bar 400 kPa 58 psi</td> <td>6 bar 600 kPa 87 psi</td> </tr> <tr> <td>0.04 ... 4 bar 4 ... 400 kPa 0.58 ... 58 psi</td> <td>4 bar 400 kPa 58 psi</td> <td>7 bar 0.7 MPa 102 psi</td> <td>10 bar 1 MPa 145 psi</td> </tr> <tr> <td>0.16 ... 16 bar 16 ... 1600 kPa 2.3 ... 232 psi</td> <td>16 bar 1600 kPa 232 psi</td> <td>21 bar 2.1 MPa 305 psi</td> <td>32 bar 3.2 MPa 464 psi</td> </tr> </tbody> </table>	HART	PROFIBUS PA/ FOUNDATION Fieldbus	Max. operating pressure MAWP (PS)	Max. perm. test pressure	Measuring span	Nominal measuring range			0.01 ... 1 bar 1 ... 100 kPa 0.15 ... 14.5 psi	1 bar 100 kPa 14.5 psi	4 bar 400 kPa 58 psi	6 bar 600 kPa 87 psi	0.04 ... 4 bar 4 ... 400 kPa 0.58 ... 58 psi	4 bar 400 kPa 58 psi	7 bar 0.7 MPa 102 psi	10 bar 1 MPa 145 psi	0.16 ... 16 bar 16 ... 1600 kPa 2.3 ... 232 psi	16 bar 1600 kPa 232 psi	21 bar 2.1 MPa 305 psi	32 bar 3.2 MPa 464 psi
HART	PROFIBUS PA/ FOUNDATION Fieldbus	Max. operating pressure MAWP (PS)	Max. perm. test pressure																		
Measuring span	Nominal measuring range																				
0.01 ... 1 bar 1 ... 100 kPa 0.15 ... 14.5 psi	1 bar 100 kPa 14.5 psi	4 bar 400 kPa 58 psi	6 bar 600 kPa 87 psi																		
0.04 ... 4 bar 4 ... 400 kPa 0.58 ... 58 psi	4 bar 400 kPa 58 psi	7 bar 0.7 MPa 102 psi	10 bar 1 MPa 145 psi																		
0.16 ... 16 bar 16 ... 1600 kPa 2.3 ... 232 psi	16 bar 1600 kPa 232 psi	21 bar 2.1 MPa 305 psi	32 bar 3.2 MPa 464 psi																		
Lower measuring limit (For PMC-Style Minibolt no measuring span < 500 mbar adjustable)	100 mbar a/10 kPa a/1.45 psi a																				
Upper measuring limit	100 % of max. measuring span																				
Output																					
Output signal	<table border="1"> <thead> <tr> <th>HART</th> <th>PROFIBUS PA/ FOUNDATION Fieldbus</th> </tr> </thead> <tbody> <tr> <td>4 ... 20 mA</td> <td>Digital PROFIBUS PA and FOUNDATION Fieldbus signal</td> </tr> <tr> <td>• Lower limit (infinitely adjustable)</td> <td>-</td> </tr> <tr> <td>• Upper limit (infinitely adjustable)</td> <td>-</td> </tr> <tr> <td>Load</td> <td></td> </tr> <tr> <td>• Without HART communication</td> <td>-</td> </tr> <tr> <td>• With HART communication</td> <td>-</td> </tr> <tr> <td>Physical bus</td> <td>IEC 61158-2</td> </tr> </tbody> </table>	HART	PROFIBUS PA/ FOUNDATION Fieldbus	4 ... 20 mA	Digital PROFIBUS PA and FOUNDATION Fieldbus signal	• Lower limit (infinitely adjustable)	-	• Upper limit (infinitely adjustable)	-	Load		• Without HART communication	-	• With HART communication	-	Physical bus	IEC 61158-2				
HART	PROFIBUS PA/ FOUNDATION Fieldbus																				
4 ... 20 mA	Digital PROFIBUS PA and FOUNDATION Fieldbus signal																				
• Lower limit (infinitely adjustable)	-																				
• Upper limit (infinitely adjustable)	-																				
Load																					
• Without HART communication	-																				
• With HART communication	-																				
Physical bus	IEC 61158-2																				
Protection against polarity reversal	Protected against short-circuit and polarity reversal. Each connection against the other with max. supply voltage.																				
Electrical damping (step width 0.1 s)	Set to 2 s (0 ... 100 s)																				
Measuring accuracy																					
Reference conditions	Acc. to IEC 60770-1																				
Measuring span ratio r (spread, Turn-Down)	<ul style="list-style-type: none"> Increasing characteristic Lower range value 0 bar/kPa/psi Stainless steel seal diaphragm Measuring cell with silicone oil Room temperature 25 °C (77 °F) 																				
Error in measurement at limit setting incl. hysteresis and reproducibility	$r = \text{max. measuring span/set measuring span or nominal measuring range}$																				
Linear characteristic																					
- $r \leq 5$	$\leq 0.075 \%$																				
- $5 < r \leq 100$	$\leq (0.005 \cdot r + 0.05) \%$																				
Influence of ambient temperature (in percent per 28 °C (50 °F))	$\leq (0.08 \cdot r + 0.16) \%$																				
Long-term stability (temperature change ± 30 °C (± 54 °F))	$\leq (0.25 \cdot r) \%$ in 5 years																				
Effect of mounting position	$\leq 0.1 \text{ mbar}/0.01 \text{ kPa}/0.00145 \text{ psi}$ per 10° inclination (zero point correction is possible with position error compensation)																				
Effect of auxiliary power supply (in percent per change in voltage)	0.005 % per 1 V																				
Measuring value resolution for PROFIBUS PA and FOUNDATION Fieldbus	$3 \cdot 10^{-5}$ of nominal measuring range																				

Pressure Measurement

Pressure transmitters
for gauge pressure for the paper industry

SITRANS P300 with PMC connection

1

SITRANS P300 for gauge pressure with PMC connection for the paper industry

Operating conditions

Installation conditions

Ambient temperature

- Measuring cell with silicone oil
- Display readable
- Storage temperature

Climatic class

Condensation

Degree of protection

- according to EN 60529
- according to NEMA 250

Electromagnetic Compatibility

- Emitted interference and interference immunity

Medium conditions

Temperature of medium

- Measuring cell with silicone oil

Observe the temperature class in areas subject to explosion hazard.

-40 ... +85 °C (-40 ... +185 °F)

-30 ... +85 °C (-22 ... +185 °F)

-50 ... +85 °C (-58 ... +185 °F)

Relative humidity 0 ... 100 %

Condensation permissible, suitable for use in the tropics

IP65, IP68

Type 4X, enclosure cleaning, resistant to lyes, steam to 150 °C (302 °F)

Acc. to IEC 61326 and NAMUR NE 21

-40 ... +100 °C (-40 ... +212 °F)

Design

Weight (without options)

Approx. 1 kg (2.2 lb)

Enclosure material

Stainless steel, mat. no. 1.4301/304

Material of parts in contact with the medium

- Seal diaphragm
- Measuring cell filling

Hastelloy C276, mat. no. 2.4819

Silicone oil

Surface quality touched-by-media

Ra-values ≤ 0.8 μm (32 μ inch)/welds Ra ≤ 1.6 μm (64 μ inch)

Power supply U_H

Terminal voltage on transmitter

HART

10.5 ... 42 V DC
for intrinsically safe operation:
10.5 ... 30 V DC

PROFIBUS PA/ FOUNDATION Fieldbus

Power supply

Supplied through bus

Separate supply voltage

-

Not necessary

Bus voltage

- Without Ex
- With intrinsically-safe operation

-

9 ... 32 V

-

9 ... 24 V

Current consumption

- Max. basic current
- Start-up current ≤ basic current
- Max. fault current in the event of a fault

-

12.5 mA

-

Yes

-

15.5 mA

Fault disconnection electronics (FDE) available

-

Yes

Pressure Measurement

Pressure transmitters for gauge pressure for the paper industry

SITRANS P300 with PMC connection

1

SITRANS P300 for gauge pressure with PMC connection for the paper industry		
Certificates and approvals	HART	PROFIBUS PA/ FOUNDATION Fieldbus
Classification according to PED 2014/68/EU	For gases of fluid group 1 and liquids of fluid group 1; complies with requirements of Article 4, paragraph 3 (sound engineering practice)	
Explosion protection		
Intrinsic safety "i"	PTB 05 ATEX 2048	
Marking	II 1/2 G Ex ia IIC/IIB T4/T5/T6 Ga/Gb	
Permissible ambient temperature		
• Temperature class T4	-40 ... +85 °C (-40 ... +185 °F)	
• Temperature class T5	-40 ... +70 °C (-40 ... +158 °F)	
• Temperature class T6	-40 ... +60 °C (-40 ... +140 °F)	
Connection	To certified intrinsically-safe circuits with peak values: $U_i = 30 \text{ V}$, $I_i = 100 \text{ mA}$, $P_i = 750 \text{ mW}$, $R_i = 300 \Omega$	To certified intrinsically-safe circuits with peak values: FISCO supply unit: $U_i = 17.5 \text{ V}$, $I_i = 380 \text{ mA}$, $P_i = 5.32 \text{ W}$ Linear barrier: $U_i = 24 \text{ V}$, $I_i = 250 \text{ mA}$, $P_i = 1.2 \text{ W}$
Effective inner capacitance:	$C_i = 6 \text{ nF}$	$C_i = 1.1 \text{ nF}$
Effective internal inductance:	$L_i = 0.4 \text{ mH}$	$L_i \leq 7 \mu\text{H}$
Explosion protection to FM for USA <u>and</u> Canada (cFM _{US})		
• Identification (DIP) or (IS): (NI)	Certificate of Compliance 3025099 CL I, DIV 1, GP ABCD T4 ... T6; CL II, DIV 1, GP EFG; CL III; CL I, ZN 0/1 AEx ia IIC T4 ... T6; CL I, DIV 2, GP ABCD T4 ... T6; CL II, DIV 2, GP FG; CL III	
• Identification (DIP) or (IS)	Certificate of Compliance 3025099C CL I, DIV 1, GP ABCD T4 ... T6; CL II, DIV 1, GP EFG; CL III; Ex ia IIC 4 ... T6; CL I, DIV 2, GP ABCD T4 ... T6; CL II, DIV 2, GP FG; CL III	

Pressure Measurement

Pressure transmitters
for gauge pressure for the paper industry

SITRANS P300 with PMC connection

1

HART communication		FOUNDATION Fieldbus communication	
HART	230 ... 1100 Ω	Function blocks	3 function blocks analog input, 1 function block PID
Protocol	HART Version 5.x	• Analog input	Yes, linearly rising or falling characteristic
Software for computer	SIMATIC PDM	- Adaptation to customer-specific process variables	0 ... 100 s
PROFIBUS PA communication		- Electrical damping, adjustable	Output/input (can be locked within the device with a bridge)
Simultaneous communication with master class 2 (max.)	4	- Simulation function	parameterizable (last good value, substitute value, incorrect value)
The address can be set using	Configuration tool Local operation (standard setting Address 126)	- Failure mode	Yes, one upper and lower warning limit and one alarm limit respectively
Cyclic data usage		- Limit monitoring	Yes
• Output byte	One measured value: 5 bytes Two measured values: 10 bytes	- Square-rooted characteristic for flow measurement	Standard FOUNDATION Fieldbus function block
• Input byte	Register operating mode: 1 bytes Reset function due to metering: 1 bytes	• PID	1 resource block
Device profile	PROFIBUS PA Profile for Process Control Devices Version 3.0, class B	• Physical block	1 transducer block Pressure with calibration, 1 transducer block LCD
Function blocks	2	Transducer blocks	
• Analog input		• Pressure transducer block	
- Adaptation to customer-specific process variables	Linearly rising or falling characteristic	- Can be calibrated by applying two pressures	Yes
- Electrical damping	0 ... 100 s adjustable	- Monitoring of sensor limits	Yes
- Simulation function	Input /Output	- Simulation function: Measured pressure value, sensor temperature and electronics temperature	Constant value or over parameterizable ramp function
- Limit monitoring	One upper and lower warning limit and one alarm limit respectively		
• Register (totalizer)	Can be reset and preset Optional direction of counting Simulation function of the register output		
- Limit monitoring	One upper and lower warning limit and one alarm limit respectively		
• Physical block	1		
Transducer blocks	2		
• Pressure transducer block			
- Monitoring of sensor limits	Yes		
- Specification of a container characteristic with	Max. 31 nodes		
- Characteristic curve	Linear		
- Simulation function	Available		
• Transducer block "Electronic temperature"			
Simulation function	Available		

Pressure Measurement

Pressure transmitters for gauge pressure for the paper industry

SITRANS P300 with PMC connection

1

Selection and Ordering data	Article No.
SITRANS P300 pressure transmitters with PMC connection , single-chamber measuring enclosure, rating plate inscription in English	
with 4 ... 20 mA / HART	➤ 7 MF 8 1 2 3 -
with PROFIBUS PA	➤ 7 MF 8 1 2 4 -
with FOUNDATION Fieldbus (FF)	➤ 7 MF 8 1 2 5 -
➤ Click on the Article No. for the online configuration in the PIA Life Cycle Portal.	
Measuring cell filling	
Silicone oil	1
Inert liquid	3
Measuring cell cleaning	
normal	B
Cleanliness level 2 to DIN 25410	C
	D
Measuring span	
1 bar ¹⁾	B
4 bar	C
16 bar	D
Wetted parts materials	
Seal diaphragm	B
Hastelloy	B
Measuring cell	B
Stainless steel	B
Process connection	
• PMC Style Standard: Thread 1½"	2
• PMC Style Minibolt: front-flush 1" (minimum measuring span: 500 mbar (7.25 psi), not available with 1-bar-measuring cell (Option B))	3
Non-wetted parts materials	
• Stainless steel, deep-drawn and electrolytically polished	4
Version	
• Standard versions	1
Explosion protection	
• None	A
• With ATEX, Type of protection:	
- "Intrinsic safety (Ex ia)"	B
• Zone 20/21/22 ²⁾	C
• Ex nA/nL (Zone 2) ³⁾	E
• With FM + CSA, Type of protection:	
- "Intrinsic Safe (is)" (planned) ⁴⁾	M
Electrical connection/cable entry	
• Screwed gland M20 x .5 (polyamide) ⁵⁾	A
• Screwed gland M20 x 1.5 (metal)	B
• Screwed gland M20 x 1.5 (stainless steel)	C
• Device plug M12 (stainless steel), without cable socket	G
• ½-14 NPT metal thread ⁶⁾	H
• ½-14 NPT stainless steel thread ⁶⁾	J

Selection and Ordering data	Article No.
SITRANS P300 pressure transmitters with PMC connection , single-chamber measuring enclosure, rating plate inscription in English	
with 4 ... 20 mA / HART	7 MF 8 1 2 3 -
with PROFIBUS PA	7 MF 8 1 2 4 -
with FOUNDATION Fieldbus (FF)	7 MF 8 1 2 5 -
➤ Click on the Article No. for the online configuration in the PIA Life Cycle Portal.	
Display	
• Without display, with keys, closed lid	1
• With display and keys, closed lid ⁷⁾	2
• With display and keys, lid with polycarbonate disc (setting on HART devices: mA, with PROFIBUS PA and FOUNDATION Fieldbus equipment: pressure units) ⁷⁾	4
• With display and keys (setting acc. to specifications, Order code "Y21" or "Y22" required), lid with polycarbonate disc ⁷⁾	5
• With display and keys, lid with glass pane (setting on HART devices: mA, with PROFIBUS PA and FOUNDATION Fieldbus equipment: pressure unit) ⁷⁾	6
• With display (setting acc. to specifications, Order code "Y21" or "Y22" required), lid with glass panel ⁷⁾	7

Power supply units see Chap. 7 "Supplementary Components".

Included in delivery of the device:

- Quick-start guide
- Sealing ring

- 1) Only with "Standard" process connection"
- 2) Not in conjunction with electrical connection option A.
- 3) Only available together with electrical connection options B, C or G.
- 4) Explosion protection acc. to FM/CSA: suitable for installations according to NEC 500/505.
- 5) Only together with HART electronics.
- 6) Without cable gland.
- 7) Display cannot be turned.

Pressure Measurement

Pressure transmitters
for gauge pressure for the paper industry

SITRANS P300 with PMC connection

1

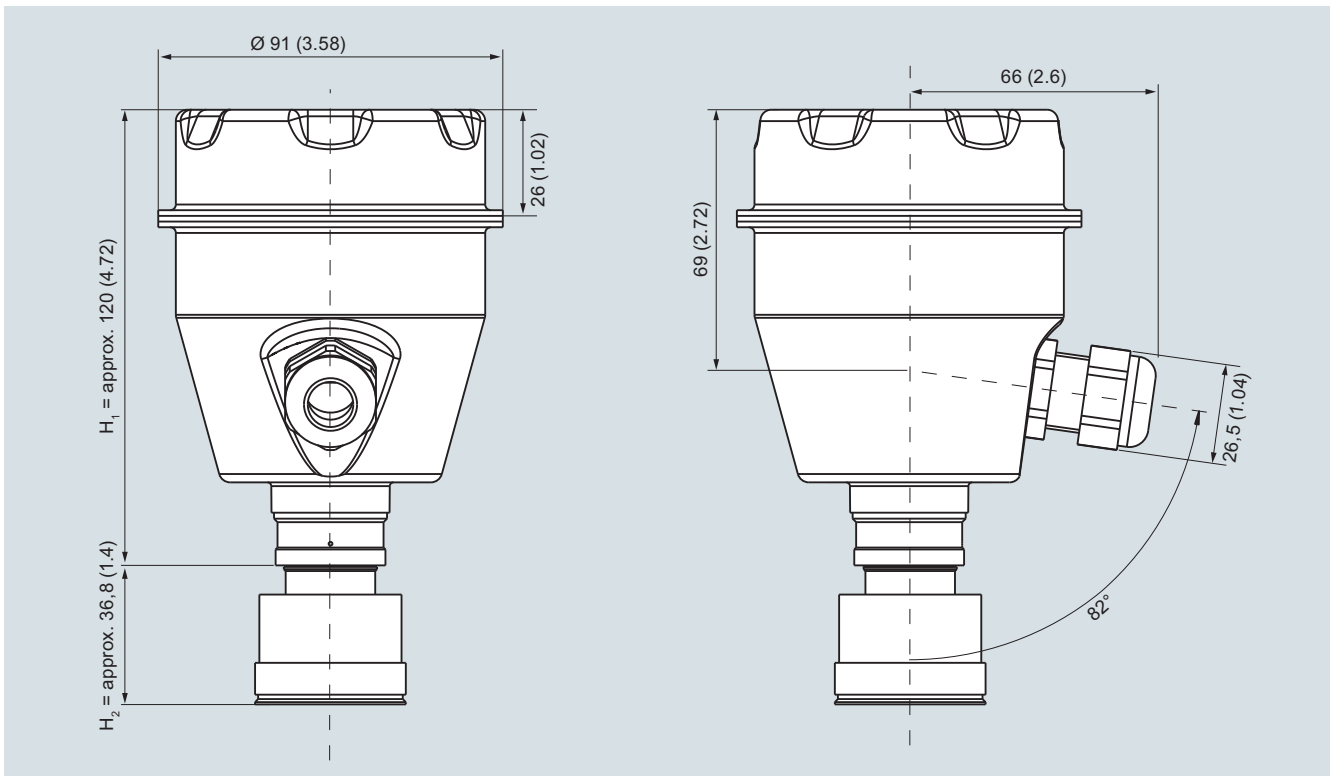
Selection and Ordering data	Order code				Selection and Ordering data	Order code			
Further designs Add "-Z" to Article No. and specify Order code.		HART	PA	FF	Additional data Please add "-Z" to Article No. and specify Order code(s) and plain text.		HART	PA	FF
Cable socket for device plugs M12 • Stainless steel	A51	✓	✓	✓	Measuring range to be set Specify in plain text (max. 5 characters): Y01: ... up to ... mbar, bar, kPa, MPa, psi	Y01	✓	✓ ¹⁾	
Rating plate inscription (instead of English) • German • French • Spanish • Italian	B10 B12 B13 B14	✓ ✓ ✓ ✓	✓ ✓ ✓ ✓	✓ ✓ ✓ ✓	Stainless steel tag plate and entry in device variable (measuring point description) Max. 16 characters, specify in plain text: Y15:	Y15	✓	✓	✓
English rating plate Pressure units in inH ₂ O and/or psi	B21	✓	✓	✓	Measuring point text (entry in device variable) Max. 27 char., specify in plain text: Y16:	Y16	✓	✓	✓
Quality test certificate, 5-point factory calibration (IEC 60770-2)	C11	✓	✓	✓	Entry of HART address (TAG) Max. 8 char., specify in plain text: Y17:	Y17	✓		
Inspection certificate Acc. to EN 10204-3.1	C12	✓	✓	✓	Setting of pressure indication in pressure units Specify in plain text (standard setting: bar): Y21: mbar, bar, kPa, MPa, psi, ... Note: The following pressure units can be selected: bar, mbar, mm H ₂ O ^{*)} , inH ₂ O ^{*)} , ftH ₂ O ^{*)} , mmHG, inHG, psi, Pa, kPa, MPa, g/cm ² , kg/cm ² , Torr, ATM or %) ref. temperature 20 °C	Y21	✓	✓	✓
Factory certificate Acc. to EN 10204-2.2	C14	✓	✓	✓	Setting of pressure indication in non-pressure units²⁾ Specify in plain text: Y22: up to l, m ³ , m, USg, ... (specification of measuring range in pressure units "Y01" is essential, unit with max. 5 characters)	Y22 + Y01	✓		
Setting of the upper saturation limit of the output signal to 22.0 mA	D05	✓	✓	✓	Preset bus address possible between 1 and 126 Specify in plain text: Y25:	Y25		✓	✓
Degree of protection IP65/IP68 (only for M20x1.5 and ½-14 NPT)	D12	✓	✓	✓					
Mounting • Weldable sockets for standard 1½" threaded connection • Weldable socket for minibolt connection 1" (incl. screw 5/16-18 UNC-2B and washer)	P01 P02	✓ ✓	✓ ✓	✓ ✓					

✓ = available

¹⁾ Measuring accuracies for PROFIBUS PA transmitters with Option Y01 are calculated in the same way as for HART devices.

²⁾ Preset values can only be changed over SIMATIC PDM.

Dimensional drawings



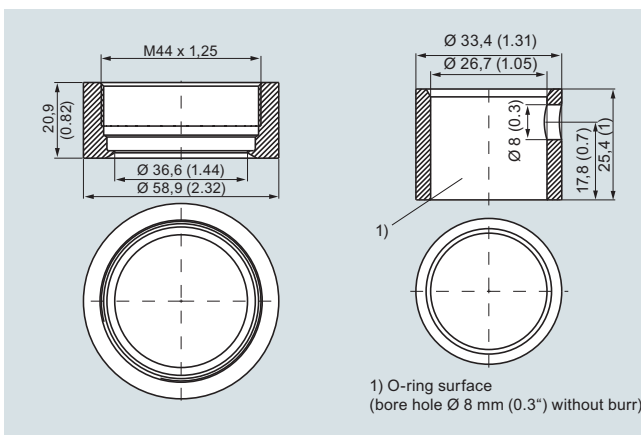
SITRANS P300 pressure transmitters for gauge pressure, with PMC connection, dimensions in mm (inch)

The diagram shows a SITRANS P300 with an example of a flange. In this drawing the height is subdivided into H_1 and H_2 .

H_1 = Height of the SITRANS P300 up to a defined cross-section

H_2 = Height of the flange up to this defined cross-section

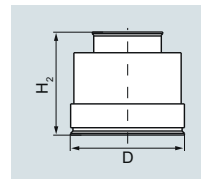
Only the height H_2 is indicated in the dimensions of the flanges.



PMC Style Standard (left) and PMC Style Minibolt (right) weldable sockets, dimensions in mm (inch)

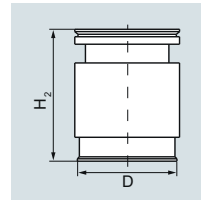
Material: Stainless steel, mat. No. 1.4404 / 316L

PMC Style Standard



DN	PN	ØD	H_2
		40.4 mm (1.6")	Approx. 36.8 mm (1.4")

PMC Style Mini bolt



DN	PN	ØD	H_2
		26.3 mm (1.0")	Approx. 33.1 mm (1.3")