

# Recalibration valve for retrofitting

## For gas density monitors and other leakage detection systems

### Model GLTC-CV

#### Applications

- Medium and high-voltage switchgear
- Calibration of gas density monitors

#### Special features

- Retrofitting for leakage detection systems
- Functional check or recalibration possible without dismounting, in accordance with EU regulation No. 517/2014 on fluorinated greenhouse gases
- Test connection from stainless steel



Recalibration valve, model GLTC-CV

#### Description

This connection part is used for retrofitting in order to be able to calibrate an existing gas density monitor.

The model GLTC-CV is fitted between the gas tank and the gas density monitor. With the help of the calibration valve, the gas density monitor can be shut off from the process and recalibrated without having to disassemble it. This not only reduces maintenance time but also minimises the risks of SF<sub>6</sub> gas emissions and potential leakages during recommissioning.

#### Easy and fast recalibration

With regard to switchgear safety, asset protection and environmental protection, it is common to perform functional checks of a gas density monitor on a regular basis. Article 5 of EU regulation No. 517/2014 on fluorinated greenhouse gases, provides for checking of the leakage detection system at least every 6 years if it contains > 22 kg SF<sub>6</sub> gas and the plant was commissioned after 01 January 2017.

When connecting a test instrument (e.g. model ACS-10 or model BCS-10) to the recalibration valve, the gas density monitor is automatically disconnected from the gas compartment and a recalibration can be performed. The test instrument can then be disconnected from the recalibration valve and the connection to the gas compartment is re-established automatically.

## Specifications

### Calibration valve

All weld seams are qualified in accordance with DIN EN ISO 15613 in combination with DIN EN ISO 15614-1 and DIN EN ISO 15614-12 by the notified body TÜV Süd.

Tightening torque, test connection: 40 Nm  $\pm$ 10 %

## Approvals

Logo	Description	Country
CE	EU declaration of conformity	European Union
	Low voltage directive	

## Manufacturer's information and certificates

Logo	Description
-	China RoHS directive

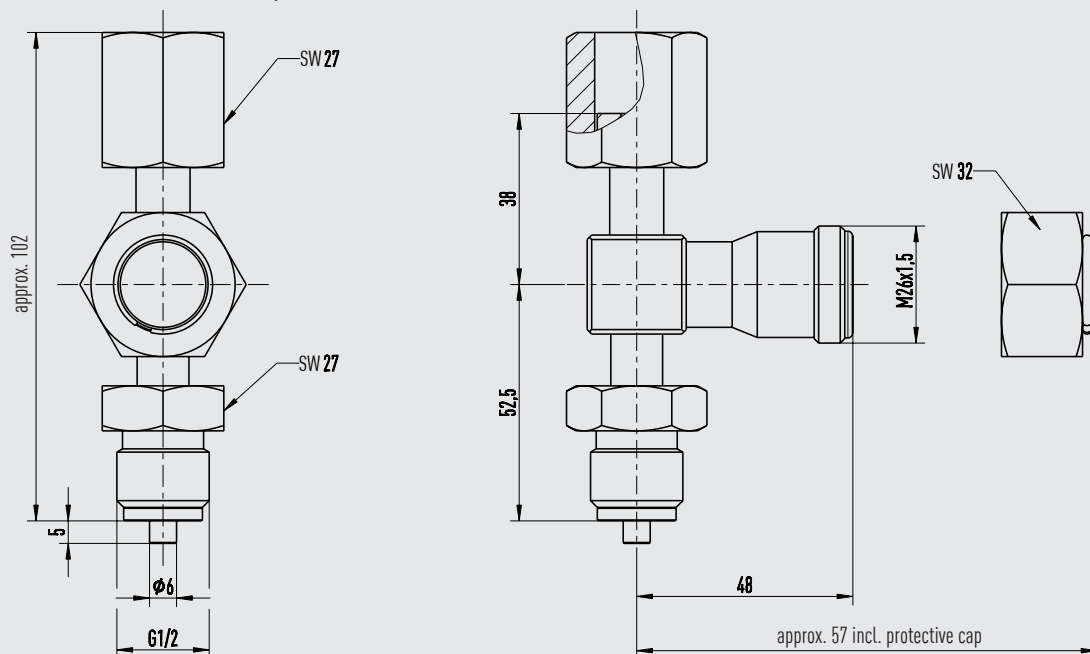
→ Approvals and certificates, see website

## Dimensions in mm

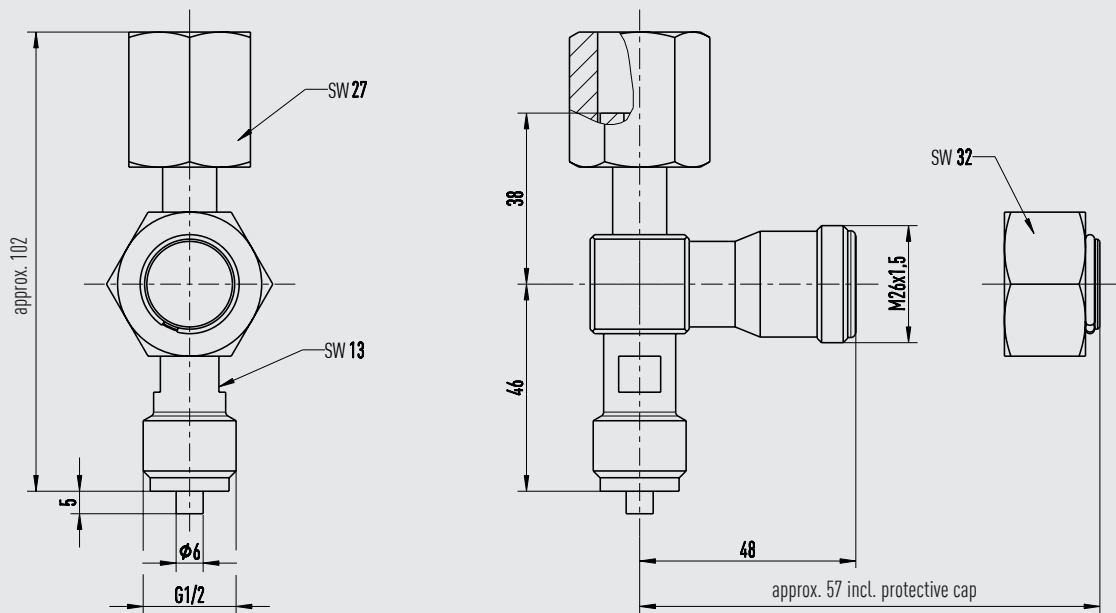
Recalibration valve with swivel connection, model GLTC-CV

Any arrangement of the test valve possible


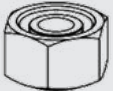

Other process connections on request



Recalibration valve, model GLTC-CV  
 Any arrangement of the test valve possible  
 Other process connections on request



## Accessories and spare parts

	Description	Order number
	Adapter from test connection (M26 x 1.5) to quick coupling	14146937
	Protective cap for test connection (M26 x 1.5)	14193772
	Calibration system for SF <sub>6</sub> gas density measuring instruments	See WIKA data sheet SP 60.08