

Portable SF₆ gas cylinder scale Model GWS-10

WIKA data sheet SP 63.09

Applications

- Monitoring of the filling or removal of SF₆ gas
- Inventory of gas cylinders
- Incoming inspection of gas cylinders

Special features

- High accuracy of ± 30 g
- Ingress protection IP 65
- Ergonomic design, compact lightweight design
- Folding weigh frame made of high-quality galvanised steel
- Easy handling due to low platform height



Portable SF₆ gas cylinder scale, model GWS-10

Description

Portable service equipment series

The model GWS-10 gas cylinder scale is a module of the portable service equipment series.

Modules of the series:

- Portable vacuum pump, model GVP-10
- Portable SF₆ filter unit, model GPF-10
- Portable SF₆ vacuum compressor, model GVC-10
- Portable SF₆ transfer unit, model GTU-10
- Portable SF₆ gas cylinder scale, model GWS-10

The gas cylinder scale model GWS-10 is a precise weighing system consisting of a folding weigh frame, a digital display and a load cell.

Thanks to the low platform height, heavy gas cylinders can be placed on the scale without great effort.

Functional design

The product design combines easy operation, robustness and precision. The folding gas cylinder scale is a lightweight and can be transported and stored in a space-saving manner. The fixing chain on the frame of the scale increases the stability of the gas cylinder.

Filled amount of gas

During the filling process, the high-precision weighing technology determines the filled amount of gas with an accuracy of up to ± 30 g.

The tare functionality of the display enables an exact reading of the filled weight.

Gas filling of a cylinder

The tare weight of the gas cylinder is indicated on the cylinder. The GWS-10 can be used to determine the total weight of a filled cylinder.

The net gas weight is obtained by deducting the tare weight from the measured total weight.

Specifications

Calibrated unit

| Selectable units | |
|------------------|---------------|
| Standard | Kilogram (kg) |
| Option | Pounds (lb) |

The unit can be changed only by means of a recalibration using certified test weights.

Measuring range

0 ... 150 kg (0 ... 300 lb)

Accuracy

±30 g (0.07 lb / 0.96 oz)

Resolution

10 g (0.02 lb / 0.32 oz)

LC display

- 6-digit
- Character size: 25 mm (1")
- Backlighting ON/OFF
- 5 function keys
- Functions: Zero, Tare ON/OFF (net / gross)
- ABS case

Power supply

Battery for approx. 60 h operating time
Integrated battery charger AC 110 ... 240 V, 50/60 Hz

Gas cylinder holder

Chain, galvanised steel

Material

Hot-dip galvanised steel

Permissible ambient temperature

Storage: -10 ... +40 °C (14 ... 104 °F)
Operation: -10 ... +40 °C (14 ... 104 °F)

Permissible humidity

≤ 90 % r. h. (non-condensing)

Ingress protection

IP 65 (per EN 60529)

Dimensions of the weighing platform

265 x 260 mm (10.43 x 10.24")
Suitable for all standard sizes of SF₆ gas cylinders

Weight

Approx. 17 kg (37.5 lb)

CE conformity

EMC directive

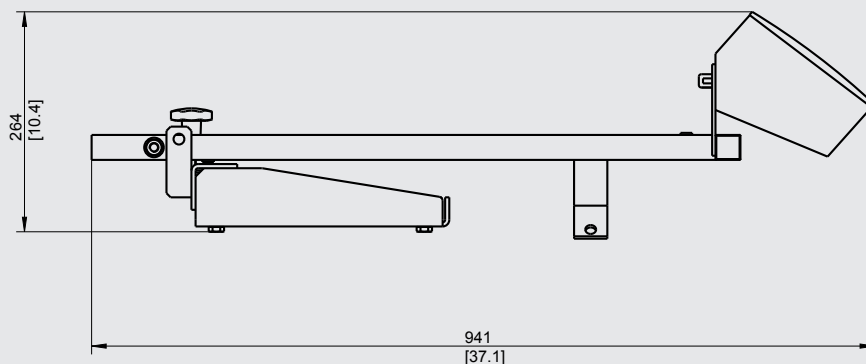
2004/108/EC, EN 61326 emission (group 1, class B) and interference immunity (industrial application)

Low voltage directive

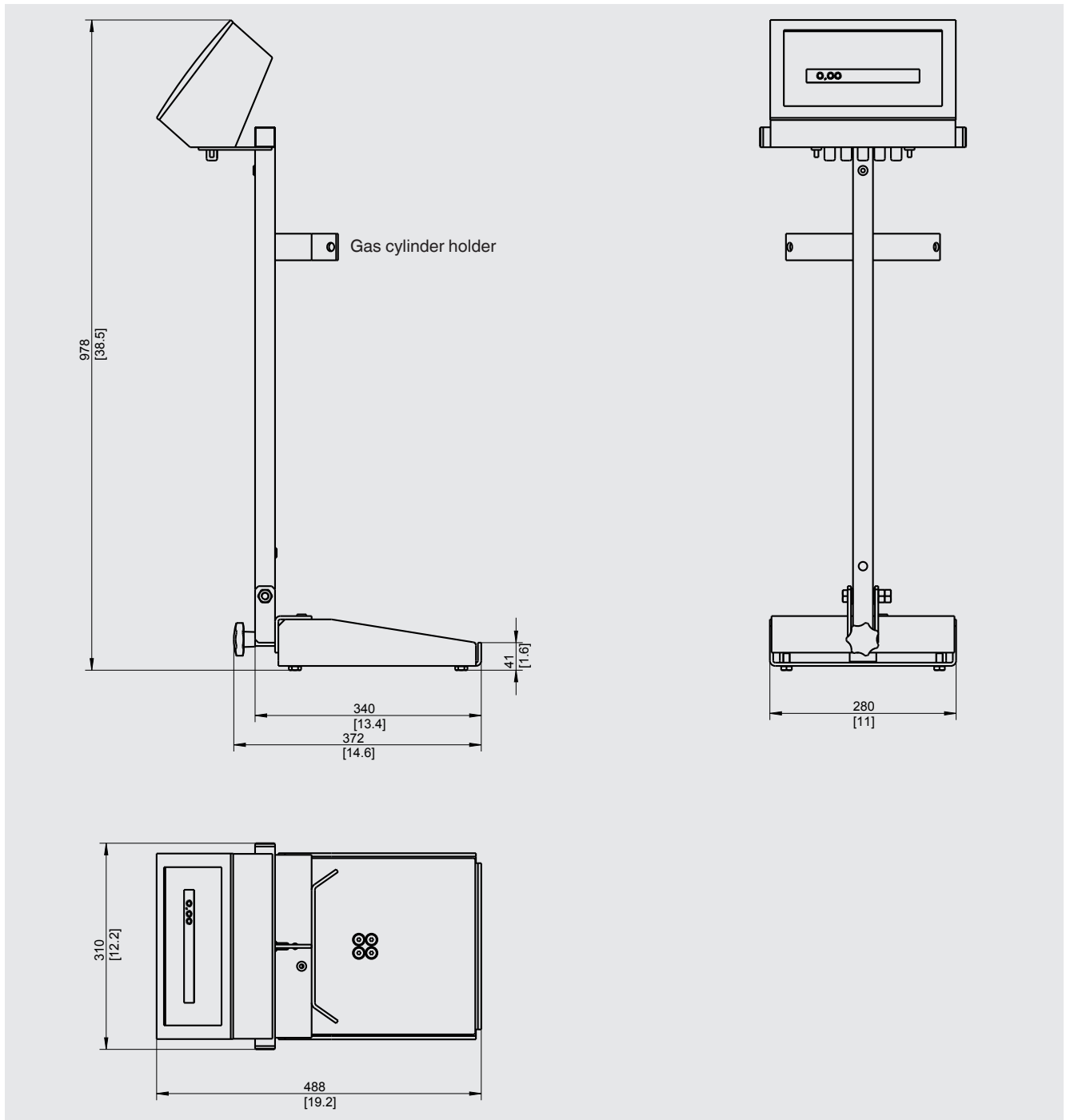
2006/95/EC, EN 61010-1

Dimensions in mm [inch]

Folded



Assembled



Ordering information

Model / Calibrated unit

© 2014 WIKA Alexander Wiegand SE & Co. KG, all rights reserved.
The specifications given in this document represent the state of engineering at the time of publishing.
We reserve the right to make modifications to the specifications and materials.

