

SF₆ service equipment For filling, cleaning and recovery of SF₆ gas Model GPU-B-2000

Applications

Filling, cleaning, recovery, evacuation and venting of SF₆ gas-filled switchgear, linear accelerators and other SF₆ gas-filled equipment

Special features

- Oil-less compressor and vacuum compressor
- Option for on-site gas filtration to the desired humidity
- Low maintenance effort



SF₆ service equipment with 300-litre tank

Description

The right equipment for each application - The GPU platform

The gas-handling equipments of the GPU platform enable the complete process from initial filling to processing to be carried out safely and intuitively.

The platform is available in 4 versions.

- Model GPU-B-2000
SF₆ service equipment in fully automated basic version
- Model GPU-S-2000
SF₆ service equipment with additional SIL2 safety control
- Model GPU-B-3000
SF₆ service equipment at the highest performance level
- Model GPU-S-3000
SF₆ service equipment with additional SIL2 safety control and the highest performance level

High standards and quality – model series B

Like the entire product range, the fully automated basic model offers high-performance components and an optimum design. The products have a USB port and an Ethernet port for remote maintenance. The 10" IntelliTouch touchscreen promises a comfortable and intuitive handling.

All models of the GPU platform are optionally available with a filter process that allows the SF₆ gas to be brought to the desired air humidity directly on site.

The SF₆ service equipment is an efficient and reliable solution that exceeds the current IEC standards for handling SF₆ gas. Low downtimes through long service intervals of more than 2,500 hours make them an extremely durable product that is always ready for use.

Specifications

Voltage supply

Voltage supply	
Option 1	AC 360 ... 440 V, 3-phase, 50/60 Hz
Option 2	AC 220 ... 265 V, 3-phase, 50/60 Hz
Option 3	AC 190 ... 230 V, 3-phase, 50/60 Hz

Oil-less compressor (SF₆ gas)

Oil-less compressor (SF ₆ gas)	
Gas flow rate	9.8 m ³ /h (with medium suction pressure)
Output pressure	50 bar abs.

Oil-less vacuum compressor (SF₆ gas)

Oil-less vacuum compressor (SF ₆ gas)		
	Gas flow rate	Final vacuum
Option 1	6 m ³ /h	< 1 mbar abs.
Option 2	10 m ³ /h	< 1 mbar abs.
Option 3	15 m ³ /h	< 1 mbar abs.

Vacuum pump (air)

Vacuum pump (air)		
	Gas flow rate	Final vacuum
Option 1	25 m ³ /h	< 1 mbar abs.
Option 2	40 m ³ /h	< 1 mbar abs.
Option 3	63 m ³ /h	< 1 mbar abs.
Option 4	100 m ³ /h	< 1 mbar abs.

Integrated tank, storage capacity

Integrated tank, storage capacity	
Option 1	without tank
Option 2	300 litres
Option 3	600 litres
Option 4	Stowage for 6 gas cylinders

Integrated gas cylinder scales

Integrated gas cylinder scales	
Option 1	without scales
Option 2	Measuring range 0 ... 136 kg Tare function Accuracy ±30 g

Connections

Connections	
GIS	1 valve DN 20, pressure range 0 ... 10 bar abs.
Gas cylinder	2 valves DN 20, pressure range 0 ... 50 bar abs.

Filter element

Molecular sieve, aluminium oxide, particle filter 1 µm
Max. water absorption: 75 g

Control element

10" touchscreen

Permissible input and output pressure

≤ 10 bar abs.
≤ 50 bar abs. at high-pressure connection

Permissible ambient temperature

Operation: -10 ... 40 °C
Storage: -20 ... + 60 °C

Permissible air humidity

< 95 % r. h. (non-condensing)

Ingress protection

IP42

Weight

approx. 665 kg without tank
approx. 1,000 kg with empty 300-litre tank
approx. 1,300 kg with empty 600-litre tank
approx. 1,050 kg with empty gas cylinder stowage

Tyres

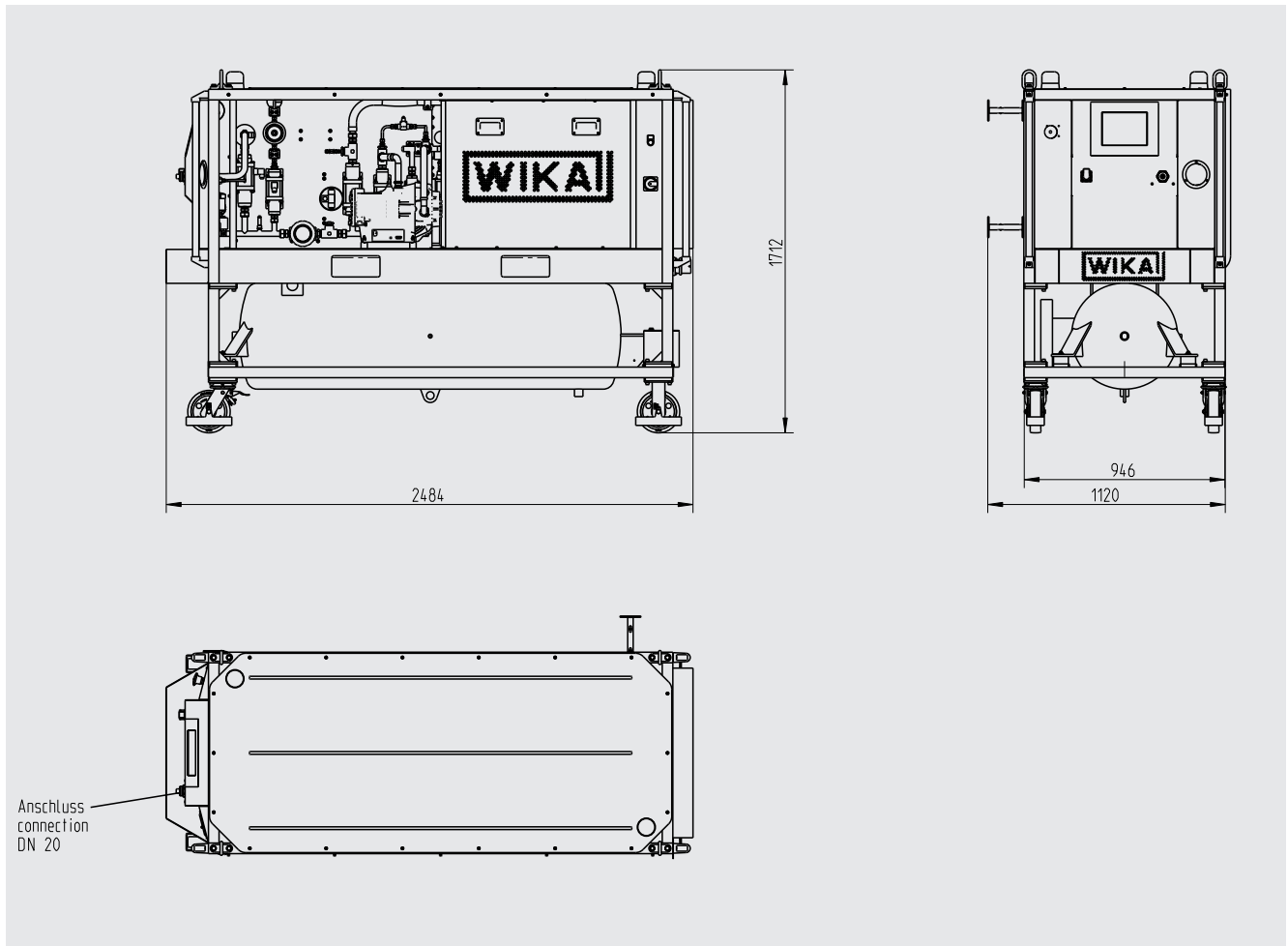
Solid rubber, Ø 200 mm, with rollover protection

Approvals

Logo	Description	Country
CE	EU declaration of conformity <ul style="list-style-type: none">■ EMC directive, EN 61326 emission (group 1, class B) and immunity (industrial application)■ RoHS directive■ Machinery directive	European Union

Approvals and certificates, see website

Dimensions in mm



Accessories

Hoses		Order number	
Nominal width	Length	Stainless steel	Rubber
DN 8	3 m	14294449	on request
	5 m	14330878	on request
	10 m	14335098	on request
	15 m	14307929	on request
DN 20	3 m	14290070	on request
	5 m	14307900	on request
	10 m	14327574	on request
	15 m	14307926	on request

Adapter	Order number
DN 8 (male) to DN 20 (female), brass	14096583
DN 8 (female) to DN 20 (male), brass	14284870

Spare parts and service kits	Order number
Oil for vacuum pump, 1 litre	14199926
Filter cartridge for GPF-10	14118800
Filter cartridge for particle filter	14140385
Service kit for compressor (SF ₆ gas)	on request (serial number of the system is required)
Service kit for vacuum compressor (SF ₆ gas)	on request (serial number of the system is required)
Service kit for vacuum pump (air)	on request (serial number of the system is required)
Rain cover GPU-x-x000	14182499
Pavillion with side pieces for outdoor applications	14182512
Trailer	on request