

Overview



SITRANS FVA250 variable area meter

Benefits

- Standard version available at short notice
- Robust all-metal valve with impact-resistant housing cover
- Can also be used for corrosive and flammable media
- Can be used at high pressures and temperatures
- Product and percentage scales
- Can be optionally fitted with heating and cooling sheaths
- Contamination-resistant guiding for float

Application

The devices are particularly suitable for measuring:

- Water
- Liquids
- Anti-corrosives and lubricants
- Solvents
- Saturated and superheated steam
- Food and beverages
- Industrial gases

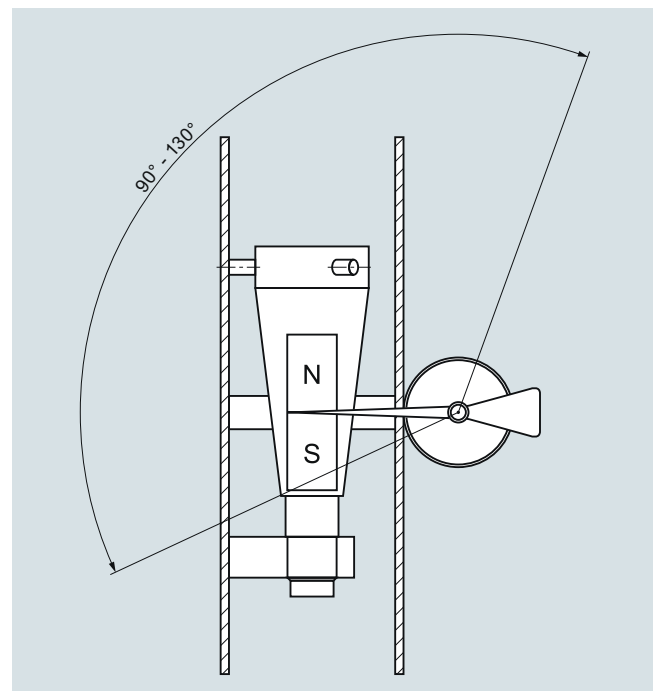
Design

Due to its full metal design, the SITRANS FVA250 variable area meter with a standard length of 250 mm (9.84 inch) can be used to measure many different types of liquids and gases passing through closed piping. The robust design means that it can also be used in harsh conditions. The various types of flange connections, linings and float materials satisfy the requirements of the pharmaceutical and chemical industries.

The measured value is displayed directly on the scale with the standard version. For process monitoring and control, the device can be equipped with a transmitter (MEM) as well as limit switches.

Function

Flow measurement with the SITRANS FVA250 is performed according to the float principle. The flowing medium lifts the conical float in the measuring ring. This increases the ring gap until an equilibrium is established between the buoyant force of the medium and the weight of the float. The height of the float is directly proportional to the flow rate. The movement of the float is transmitted from one magnet to another magnet in the display unit outside of the measuring tube.



Measuring cone/scale angle

Flow Measurement

SITRANS FVA

SITRANS FVA250

Technical specifications

Application	See page 3/395
Design and function	See page 3/395
Principle of measurement	Variable-area flowmeter
Input	
Measuring range	See table on page 3/397
Pressure ratings	PN 16 to PN 100 (232 to 1 450 psi) depending on the version (see table on page 3/397)
Installation / flow direction	Vertical/from bottom to top
Rated conditions	
Ambient temperature	
• With local display	-40 ... +80 °C (-40 ... +176 °F)
• With limit switches	-40 ... +65 °C (-40 ... +149 °F)
• With electric remote encoder (MEM)	-40 ... +70 °C (-40 ... +158 °F)
Measuring accuracy acc. to VDI/VDE 3513-2	
• For liquids	± 1.6 % (q _G = 50 %)
• For gases	± 2.0 % (q _G = 50 %)
Reproducibility	0.5 % of the measuring range limit (URV)
Operating temperature	See page 3/397
Operating pressure	Minimum operating pressure > 2x pressure drop (see table on page 3/397)
Design	
Flanges	EN 1092-1, ANSI B16.5
Material	
• Fitting	Stainless steel, Hastelloy
• Float	Stainless steel, Hastelloy, PTFE
• Wetted parts materials	Stainless steel, PTFE, Hastelloy depending on version
Degree of protection (display unit)	
• Display unit made of aluminum	IP65
• Display unit made of stainless steel	IP66
Electromagnetic compatibility	
• EN 61000-6-2: 2011	Interference immunity industrial sector
• EN 61000-6-3	Interference immunity residential sector
• EN 55011: 2011	Group 1, Class B
• NAMUR recommendation	NE 21

Classification according to pressure equipment directive (PED 2014/68/EU)

	Article No. 7ME586.-	Permissible media	Category
DN 15	xAxxx-xxxx	Gases of fluid group 1 and liquids of fluid group 1	Article 4.3
DN 20	xBxxx-xxxx		Article 4.3
DN 25	xCxxx-xxxx		Article 4.3
DN 32	xDxxx-xxxx		III
DN 40	xExxx-xxxx		III
DN 50	xFxxx-xxxx		III
DN 65	xGxxx-xxxx		III
DN 80	xHxxx-xxxx		III
DN 100	xJxxx-xxxx		III

Technical specifications of contacts

Limit switch	
Cable gland	M20x1.5
Auxiliary power supply	5 ... 25 V DC
Isolation (2 contacts)	Electrically isolated
Limit switch	SJ3.5-N-BU
• Switching function	NAMUR NC
Nominal voltage U _O	8.2 V DC (R _i approx. 1 kΩ)
Explosion protection	II 2G EEx ia IIC T6 - T4 Gb
EC Type Examination Certificate for Directive 2014/34/EU	PTB 99 ATEX 2219 X
Transmitter (MEM) with 4 to 20 mA, pulse output and limit switch	
Cable gland	M20x1.5
Auxiliary power supply	14 ... 30 V DC
Analog output	4 ... 20 mA (2-wire)
Binary output	Pulses, limit switch
• Pulses	Max. pulse rate 10 Hz
• Limit switch	SJ3.5-N-BU (NAMUR, IEC 60947-5-6:1999)
Temperature influence	≤ ± 0.5% of the measuring range limit (URV)/10 K
Explosion protection	II 2G Ex ia IIC T6 Gb
EC Type Examination Certificate for Directive 2014/34/EU	BVS 07 ATEX E 033
Transmitter (MEM) PROFIBUS PA	
Cable gland	M20x1.5
Auxiliary power supply	10 ... 25 V DC
Basic current	< 16.5 mA
Fault current	< 18 mA
Transfer rate	31.25 Kbaud
Temperature influence	≤ ± 0.5% of the measuring range limit (URV)/10 K
Explosion protection	II 2G Ex ia IIC T6 Gb
EC Type Examination Certificate for Directive 2014/34/EU	BVS 07 ATEX E 033

Float damping

Float damping is recommended

- Generally for gas measurement
- When air bubbles in the medium cannot be avoided
- When there are pressure surges in the lines caused by a delay in the flow, for example, due to rapid throttling or blocking
- When turbulence, pulsations or other instabilities cause the float to vibrate
- When the flow pressure cannot be built up slowly
- When vibrations in the line cannot be avoided

Technical specifications (continued)

Measuring range availability guide

Version	CF-S	EF-H	FF-P
Wetted parts materials	Mat. No. 1.4404/AISI 316L	Hastelloy	PTFE
Fitting	Mat. No. 1.4404/AISI 316L	≤ DN 25 (1"): Hastelloy > DN 25 (1"): Hastelloy/Mat. No. 1.4404/AISI 316L	Mat. No. 1.4404/AISI 316L with PTFE lining
Flange	Mat. No. 1.4404/AISI 316L	≤ DN 25 (1"): Hastelloy > DN 25 (1"): Hastelloy/Mat. No. 1.4404/AISI 316L	Mat. No. 1.4404/AISI 316L with PTFE lining
Float/flow tube	Mat. No. 1.4404/AISI 316L	Hastelloy	PTFE
Max. media temperature	-20 ... +200 °C (-4 ... +392 °F) (optional -80 ... +350 °C (-112 ... +662 °F))		-20 ... +125 °C (-4 ... +257 °F)
Nominal pressure	DN15 ... 50 (1/2" ... 2") PN 40 (580 psi) DN 65 ... 100 (2 1/2" ... 4") PN 16 (232 psi)	DN15 ... 50 (1/2" ... 2") PN 40 (580 psi) DN 65 ... 100 (2 1/2" ... 4") PN 16 (232 psi)	PN 16 (232 psi)
Reference data for measuring range specifications	Fluid in l/h with density: 1.0 kg/l, temperature 20 °C (68 °F), viscosity: 1 mPa.s Gas in m ³ /h with density: 1.293 kg/m ³ , temperature 0 °C (32 °F), viscosity: 0.0181 mPa.s, p _e = 0 bar (0 psi)		

Order code	Pressure loss [mbar]							Measuring ranges (dynamic 1:10)			
	Measurement cone							Liquids		Gases	
	1	2	3	4	5	6	7	[l/h]	[USgpm]	[m ³ /h]	[scfm]
10	40 ¹⁾	-	-	-	-	-	-	0.5 ... 5	0.0022 ... 0.022	0.015 ... 0.15	0.0088 ... 0.088
11	44 ¹⁾	-	-	-	-	-	-	0 ... 10	0.0044 ... 0.044	0.03 ... 0.3	0.0177 ... 0.177
12	40 ¹⁾	-	-	-	-	-	-	1.6 ... 16	0.007 ... 0.07	0.045 ... 0.48	0.0265 ... 0.283
13	40 ¹⁾	-	-	-	-	-	-	2.5 ... 25	0.11 ... 0.11	0.075 ... 0.75	0.0441 ... 0.441
14	40 ¹⁾	-	-	-	-	-	-	4 ... 40	0.018 ... 0.18	0.13 ... 1.3	0.0765 ... 0.765
15	-	40 ²⁾	-	-	-	-	-	5 ... 50	0.022 ... 0.22	0.15 ... 1.5	0.0883 ... 0.883
16	-	40 ²⁾	-	-	-	-	-	7 ... 70	0.031 ... 0.31	0.2 ... 2.1	0.12 ... 1.24
17	-	60	-	-	-	-	-	10 ... 100	0.044 ... 0.44	0.3 ... 3	0.177 ... 1.77
20	-	60	-	-	-	-	-	16 ... 160	0.07 ... 0.7	0.5 ... 4.6	0.29 ... 2.71
21	-	60	-	-	-	-	-	25 ... 250	0.11 ... 1.1	0.07 ... 7	0.412 ... 4.12
22	-	70	-	-	-	-	-	40 ... 400	0.176 ... 1.76	1.0 ... 11	0.589 ... 6.47
23	-	80	-	-	-	-	-	60 ... 600	0.264 ... 2.64	1.7 ... 17	1 ... 10
24	-	-	60	-	-	-	-	100 ... 1 000	0.44 ... 4.4	2 ... 30	1.77 ... 17.66
25	-	-	70	-	-	-	-	160 ... 1 600	0.7 ... 7	3 ... 46	2.35 ... 27.07
26	-	-	100	50 ²⁾	-	-	-	250 ... 2 500	1.1 ... 11	6 ... 70	4.12 ... 41.2
27	-	-	240 ²⁾	120 ²⁾	80	-	-	400 ... 4 000	1.76 ... 17.6	10 ... 110	6.47 ... 64.74
30	-	-	-	180 ²⁾	90	-	-	600 ... 6 000	2.64 ... 26.4	16 ... 170	10 ... 100
31	-	-	-	-	110	-	-	1 000 ... 10 000	4.4 ... 44	28 ... 290	17.1 ... 170.7
32	-	-	-	-	230	70	-	1 600 ... 16 000	7 ... 70	45 ... 460	27.1 ... 270.7
33	-	-	-	-	230	70 ²⁾	-	2 000 ... 20 000	8.8 ... 88	55 ... 550	32.4 ... 323.7
34	-	-	-	-	500 ²⁾	100	-	2 500 ... 25 000	11 ... 110	69 ... 700	41.2 ... 412
35	-	-	-	-	-	350 ²⁾	120	4 000 ... 40 000	17.6 ... 176	109 ... 1 100	64.7 ... 647.4
36	-	-	-	-	-	350 ²⁾	120 ²⁾	5 000 ... 50 000	22 ... 220	134 ... 1 350	79.5 ... 794.6
37	-	-	-	-	-	-	360 ²⁾	6 000 ... 60 000	26.4 ... 264	169 ... 1 700	100 ... 1 000
40	-	-	-	-	-	-	600 ²⁾	8 000 ... 80 000	35.2 ... 352	239 ... 2 400	141.3 ... 1 413
41	-	-	-	-	-	-	600 ²⁾	10 000 ... 100 000	44 ... 440	299 ... 3 000	176.6 ... 1 766

- Not available

1) Not available for EF-H and FF-P

2) Not available for FF-P

Note: Female thread connector (DIN ISO 228, NPT ANSI B 1.20.1) not available for FF-P.

Flow Measurement

SITRANS FVA

SITRANS FVA250

Technical specifications (continued)

Sensor size availability guide

Type CF-S and EF-H

Order code	Diameter		Flow tube						
	Flange		1	2	3	4	5	6	7
A	DN 15	½"	• ¹⁾	•	•	-	-	-	-
B	DN 20	¾"	• ¹⁾	•	•	-	-	-	-
C	DN 25	1"	• ¹⁾	•	•	• ²⁾	-	-	-
D	DN 32	1¼"	• ¹⁾	•	•	•	-	-	-
E	DN 40	1½"	• ¹⁾	•	•	•	• ²⁾	-	-
F	DN 50	2"	• ¹⁾	•	•	•	•	-	-
G	DN 65	2½"	-	-	•	•	•	• ²⁾	-
H	DN 80	3"	-	-	-	•	•	•	-
J	DN 100	4"	-	-	-	-	•	•	•

Type FF-P

Order code	Diameter		Flow tube						
	Flange		1	2	3	4	5	6	7
A	DN 15	½"	-	• ²⁾	-	-	-	-	-
B	DN 20	¾"	-	• ³⁾	-	-	-	-	-
C	DN 25	1"	-	•	•	-	-	-	-
D	DN 32	1¼"	-	-	-	-	-	-	-
E	DN 40	1½"	-	-	-	•	-	-	-
F	DN 50	2"	-	-	-	-	•	-	-
G	DN 65	2½"	-	-	-	-	-	-	-
H	DN 80	3"	-	-	-	-	-	•	-
J	DN 100	4"	-	-	-	-	-	-	•

Type CF-S and EF-H

Order code	Diameter		Flow tube						
	Female thread		1	2	3	4	5	6	7
Q	G ¼"	¼" NPT	•	•	-	-	-	-	-
R	G 3/8"	3/8" NPT	•	•	-	-	-	-	-
S	G ½"	½" NPT	•	•	•	•	-	-	-
T	G ¾"	¾" NPT	•	•	•	•	-	-	-
U	G 1"	1" NPT	•	•	•	•	•	-	-
V	G 1¼"	1¼" NPT	•	•	-	•	•	-	-
W	G 1½"	1½" NPT	-	-	-	•	•	-	-
X	G 2"	2" NPT	-	-	-	-	•	-	-

Note: Female thread not available for type FF-P.

• Available

- Not available

¹⁾ Not available for type EF-H.

²⁾ Only with EN 1092-1 flange.

³⁾ Only with ANSI B16.5 flange.

Technical specifications (continued)

Flange sealing surface selection guide

Order code	Diameter flange EN 1092-1	Flow tube						
		1	2	3	4	5	6	7
A	DN 15	N11	N11	N11	-	-	-	-
B	DN 20	N12	N12	N12	-	-	-	-
C	DN 25	-	-	N13	N13	-	-	-
D	DN 32	-	-	-	N14	-	-	-
E	DN 40	-	-	-	N15	N15	-	-
F	DN 50	-	-	-	-	N16	-	-
G	DN 65	-	-	-	-	-	N17	-
H	DN 80	-	-	-	-	-	N18	-
J	DN 100	-	-	-	-	-	-	N19

Type FF-P

Order code	Diameter flange ASME B16.5	Flow tube						
		1	2	3	4	5	6	7
A	½"	N21	N21	N21	-	-	-	-
B	¾"	N22	N22	N22	-	-	-	-
C	1"	-	-	N23	-	-	-	-
D	1¼"	-	-	-	N24	-	-	-
E	1½"	-	-	-	N25	-	-	-
F	2"	-	-	-	-	N26	-	-
G	2½"	-	-	-	-	N27	-	-
H	3"	-	-	-	-	-	N28	-
J	4"	-	-	-	-	-	-	N29

Flow Measurement

SITRANS FVA

SITRANS FVA250

Selection and ordering data

Article No.

SITRANS FVA250 Full metal variable area meter



7ME586

Click on the Article No. for the online configuration in the PIA Life Cycle Portal.

Flow tube

Liquid	Gas
5 ... 40 l/h	0.15 ... 1.3 m ³ /h
50 ... 600 l/h	1.5 ... 17 m ³ /h
1 000 ... 4 000 l/h	30 ... 110 m ³ /h
2.5 ... 6 m ³ /h	70 ... 170 m ³ /h
4 ... 25 m ³ /h	30 ... 700 m ³ /h
16 ... 50 m ³ /h	460 ... 1 350 m ³ /h
60 ... 100 m ³ /h	1 700 ... 3 000 m ³ /h

1
2
3
4
5
6
7

Design

Type: CF-S (standard)

Fitting: Stainless steel
Flange: Stainless steel
Float: Stainless steel

Type: EF-H

Fitting: Stainless steel, Hastelloy
Flange: Stainless steel, Hastelloy
Float: Hastelloy

Type: FF-P

Fitting: Stainless steel with PTFE lining
Flange: Stainless steel with PTFE lining
Float: PTFE

2
4
5

Diameter

- DN 15/ANSI ½"
- DN 20/ANSI ¾"
- DN 25/ANSI 1"
- DN 32/ANSI 1¼"
- DN 40/ANSI 1½"
- DN 50/ANSI 2"
- DN 65/ANSI 2½"
- DN 80/ANSI 3"
- DN 100/ANSI 4"
- Female thread ¼"
- Female thread 3/8"
- Female thread ½"
- Female thread ¾"
- Female thread 1"
- Female thread 1¼"
- Female thread 1½"
- Female thread 2"

A
B
C
D
E
F
G
H
J
K
Q
R
S
T
U
V
W
X

Process connection

- EN 1092-1, PN 16, Form B1
- EN 1092-1, PN 40, Form B1
- EN 1092-1, PN 63, Form B2
- EN 1092-1, PN 100, Form B2
- ANSI B16.5, class 150 RF
- ANSI B16.5, class 300 RF
- ANSI B16.5, class 600 RF
- ISO 228-1 G pipe thread PN 63
- ISO 228-1 G pipe thread PN 100
- ANSI B1.20.1 NPT pipe thread 900 lbs
- ANSI B1.20.1 NPT pipe thread 1500 lbs

B
D
E
F
J
K
L
T
U
N
P

3

Selection and ordering data

Article No.

SITRANS FVA250 Full metal variable area meter

7ME586 - - - - -

Measuring ranges

Liquids		Gases		
l/h	(USgpm)	m ³ /h	(scfm)	
0.5 ... 5	(0.0022 ... 0.022)	0.015 ... 0.15	(0.0088 ... 0.088)	1 0
0 ... 10	(0.0044 ... 0.044)	0.03 ... 0.3	(0.0177 ... 0.177)	1 1
1.6 ... 16	(0.007 ... 0.07)	0.045 ... 0.45	(0.0265 ... 0.283)	1 2
2.5 ... 25	(0.011 ... 0.11)	0.075 ... 0.75	(0.0441 ... 0.441)	1 3
4 ... 40	(0.018 ... 0.18)	0.13 ... 1.3	(0.0765 ... 0.765)	1 4
5 ... 50	(0.022 ... 0.22)	0.15 ... 1.5	(0.0883 ... 0.883)	1 5
7 ... 70	(0.031 ... 0.31)	0.2 ... 2	(0.12 ... 1.24)	1 6
10 ... 100	(0.044 ... 0.44)	0.3 ... 3	(0.177 ... 1.77)	1 7
16 ... 160	(0.07 ... 0.7)	0.5 ... 5	(0.29 ... 2.71)	2 0
25 ... 250	(0.11 ... 1.1)	0.7 ... 7	(0.412 ... 4.12)	2 1
40 ... 400	(0.176 ... 1.76)	1.0 ... 11	(0.589 ... 6.47)	2 2
60 ... 600	(0.264 ... 2.64)	1.7 ... 17	(1 ... 10)	2 3
100 ... 1 000	(0.44 ... 4.4)	2 ... 30	(1.77 ... 17.66)	2 4
160 ... 1 600	(0.7 ... 7)	3 ... 46	(2.35 ... 27.07)	2 5
250 ... 2 500	(1.1 ... 11)	6 ... 70	(4.12 ... 41.2)	2 6
400 ... 4 000	(1.76 ... 17.6)	10 ... 110	(6.47 ... 64.74)	2 7
600 ... 6 000	(2.64 ... 26.4)	16 ... 170	(10 ... 100)	3 0
1 000 ... 10 000	(4.4 ... 44)	28 ... 290	(17.1 ... 170.7)	3 1
1 600 ... 16 000	(7 ... 70)	45 ... 460	(27.1 ... 270.7)	3 2
2 000 ... 20 000	(8.8 ... 88)	55 ... 550	(32.4 ... 323.7)	3 3
2 500 ... 25 000	(11 ... 110)	69 ... 700	(41.2 ... 412)	3 4
4 000 ... 40 000	(17.6 ... 176)	109 ... 1 100	(64.7 ... 647.4)	3 5
5 000 ... 50 000	(22 ... 220)	134 ... 1 350	(79.5 ... 794.6)	3 6
6 000 ... 60 000	(26.4 ... 264)	169 ... 1 700	(100 ... 1 000)	3 7
8 000 ... 80 000	(35.2 ... 352)	239 ... 2 400	(141.3 ... 1 413)	4 0
10 000 ... 100 000	(44 ... 440)	299 ... 3 000	(176.6 ... 1 766)	4 1

Display unit / process temperature

Standard (aluminum) - up to 200 °C with local display/150 °C with electrical output	0
Standard (aluminum) with displaced display - up to 350 °C with local display and electrical outputs	1
Stainless steel IP66 - up to 200 °C with local display/150 °C with electrical outputs	2
Stainless steel IP66 with displaced display - up to 350 °C with local display and electrical outputs	3

Heating/cooling jacket

Without (standard)	A
With flange connection EN1092-1 DN 15 PN 40	B
With flange connection ½ " ANSI B16.5 Class 150 RF	C

Display/outputs

With display	A
With display, 1 limit switch	B
With display, 2 limit switches	C
With display, HART and 4 to 20 mA	D
With display, HART, 4 to 20 mA, 2 limit switches	E
With display, HART, 4 to 20 mA, 1 limit switch	F
With display, PROFIBUS PA	G

Calibration

Standard calibration	0
• Without calibration certificate	1
• With calibration certificate	

Flow Measurement

SITRANS FVA

SITRANS FVA250

Selection and ordering data

Order code

Article No.

Other types of liquid and gas measurement

Please add "-Z" to Article No. and specify Order code.

Certificates

Certificate of compliance EN 10204-2.1	C10
Factory inspection certificate EN 10204-2.2	C11
Material certificate according to EN 10204-3.1	C12
Dye penetration test on pressure bearing weldings	C13
X-ray test of pressure bearing weldings	C14
Pressure test with acceptance test certificate 3.1 according to EN 10204	C15
PMI (positive material identification) test of pressure bearing metal parts	C16

Float damping

With float damping	D01
--------------------	------------

Flange sealing surface

Sealing surface according to EN 1092-1 welding neck flange

• DN 15	N11
• DN 20	N12
• DN 25	N13
• DN 32	N14
• DN 40	N15
• DN 50	N16
• DN 65	N17
• DN 80	N18
• DN 100	N19

Sealing surface according to ANSI B16.5 welding neck flange

• ½ inch	N21
• ¾ inch	N22
• 1 inch	N23
• 1¼ inch	N24
• 1½ inch	N25
• 2 inch	N26
• 2½ inch	N27
• 3 inch	N28
• 4 inch	N29

Specification of medium process data (specify in plain text)

Specification always required for each order: Medium Operating pressure Operating temperature Density (only for customer-specified medium) Viscosity (only for customer-specified medium) Measuring range	Y01
--	------------

TAG plate

TAG plate in stainless steel (add plain text)	Y17
---	------------

Cleaning to company standard

Cleaning Class 2, with identification free of oil and grease	K46
Cleaning Class 1, with identification free of oil, grease and silicon	K48

Approvals

With ATEX approval	M51
--------------------	------------

Special version (specify in plain text)

	Y99
--	------------

Note:

For possible combinations of nominal sizes and flow tube, see table on page 3/403

Operating instructions

SITRANS FVA250

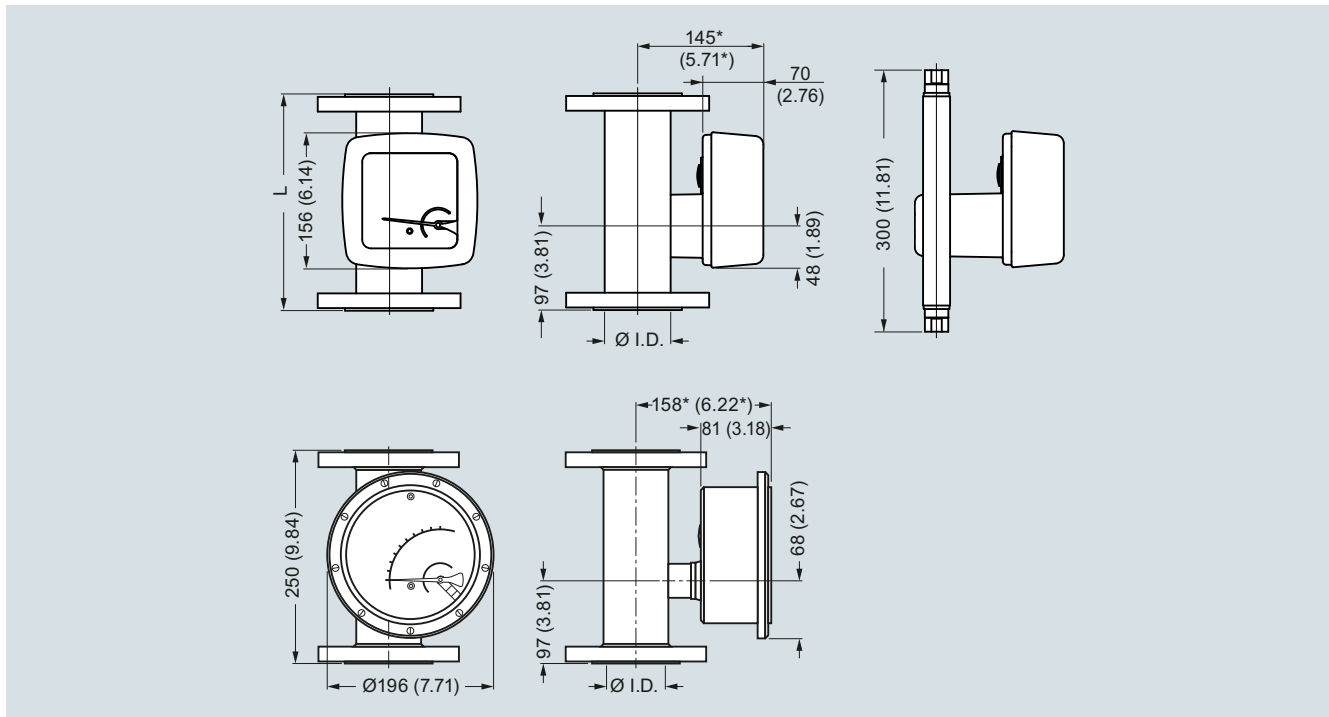
- English
- German

A5E03821131
A5E32108136

All literature is available to download for free, in a range of languages, at

<https://www.siemens.com/processinstrumentation/documentation>

Dimensional drawings



SITRANS FVA250, dimensions in mm

Order code	Diameter flange EN 1092-1	Flow tube I.D. [mm]						
		1	2	3	4	5	6	7
A	DN 15	26 ¹⁾	26 ¹⁾	32 ¹⁾	-	-	-	-
B	DN 20	26 ¹⁾	26 ¹⁾	32 ¹⁾	-	-	-	-
C	DN 25	26	26	32 ¹⁾	46 ¹⁾	-	-	-
D	DN 32	26	26	32	46 ¹⁾	-	-	-
E	DN 40	26	26	32	46 ¹⁾	70 ¹⁾	-	-
F	DN 50	26	26	32	46	70 ¹⁾	-	-
G	DN 65	-	-	32	46	70	102 ¹⁾	-
H	DN 80	-	-	-	46	70	102 ¹⁾	-
J	DN 100	-	-	-	-	70	102	125 ¹⁾

*) +100 mm with pulled-out display unit

1) Flange sealing surface not according to EN 1092-1 (Please select N-option for EN 1092-1 compliant flange sealing surface)

Order code	Diameter flange ANSI 1092-1	Flow tube I.D. [mm]						
		1	2	3	4	5	6	7
A	½"	1.02 ¹⁾	1.02 ¹⁾	1.26 ¹⁾²⁾	-	-	-	-
B	¾"	1.02 ¹⁾	1.02 ¹⁾	1.26 ¹⁾	-	-	-	-
C	1"	1.02	1.02	1.26 ¹⁾	-	-	-	-
D	1¼"	1.02	1.02	1.26	1.81 ¹⁾	-	-	-
E	1½"	1.02	1.02	1.26	1.81 ¹⁾	-	-	-
F	2"	1.02	1.02	1.26	1.81	2.76 ¹⁾	-	-
G	2½"	-	-	1.26	1.81	2.76	-	-
H	3"	-	-	-	1.81	2.76	4.02 ¹⁾	-
J	4"	-	-	-	-	2.76	4.02	4.92 ¹⁾

*) +3.94 inch with pulled-out display unit

1) Flange sealing surface not according to ANSI B16.5 (Please select N-option for ANSI B16.5 compliant flange sealing surface)

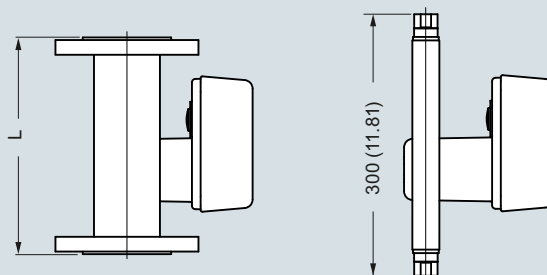
2) Flange with threaded holes

Flow Measurement

SITRANS FVA

SITRANS FVA250

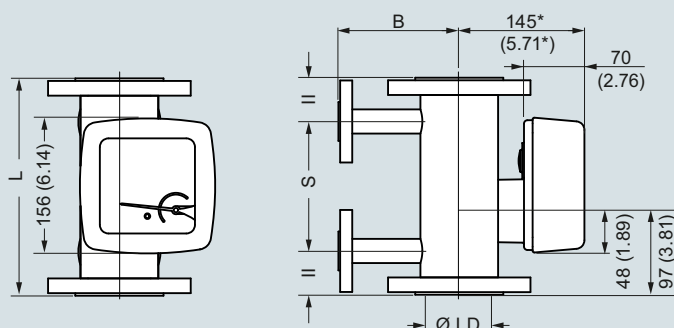
Dimensional drawings (continued)



SITRANS FVA250 build-in length, dimensions in mm (inch)

Diameter	EN 1092-1				Diameter	ANSI B16.5		
	PN 16	PN 16	PN 16	PN 16		class 150	class 300	class 600
DN 15	-	250 (9.84)	-	250 (9.84)	½"	250 (9.84)	250 (9.84)	250 (9.84)
DN 20	-	250 (9.84)	-	250 (9.84)	¾"	250 (9.84)	250 (9.84)	250 (9.84)
DN 25	-	250 (9.84)	-	250 (9.84)	1"	250 (9.84)	250 (9.84)	250 (9.84)
DN 32	-	250 (9.84)	-	250 (9.84)	1¼"	250 (9.84)	250 (9.84)	250 (9.84)
DN 40	-	250 (9.84)	-	250 (9.84)	1½"	250 (9.84)	250 (9.84)	250 (9.84)
DN 50	-	250 (9.84)	250 (9.84)	300 (11.81)	2"	250 (9.84)	250 (9.84)	300 (11.81)
DN 65	250 (9.84)	250 (9.84)	-	-	2½"	250 (9.84)	300 (11.81)	300 (11.81)
DN 80	250 (9.84)	250 (9.84)	-	-	3"	250 (9.84)	300 (11.81)	300 (11.81)
DN 100	250 (9.84)	250 (9.84)	-	-	4"	250 (9.84)	300 (11.81)	300 (11.81)

- not available



SITRANS FVA250 with heating/cooling jacket, dimensions, in mm (inch)

Diameter	B (flange)		B (Ermeto)		S		Weight	
	mm	inch	mm	inch	mm	inch	kg	lbs
15	110	4.33	53	2.09	150	5.91	3,0	6.6
20	110	4.33	53	2.09	150	5.91	3,0	6.6
25	110	4.33	58,5	2.3	150	5.91	4,2	9.3
32	110	4.33	58,5	2.3	150	5.91	5,2	11.5
40	130	5.12	63	2.48	150	5.91	6,0	13.2
50	140	5.51	77,5	3.05	150	5.91	7,5	16.5
65	140	5.51	77,5	3.05	150	5.91	8,5	18.7
80	160	6.3	93,5	3.68	150	5.91	13	28.7
100	175	6.89	110	4.33	120	4.72	18	39.7

* + 100 mm (3.94 inch) with pulled-out display unit