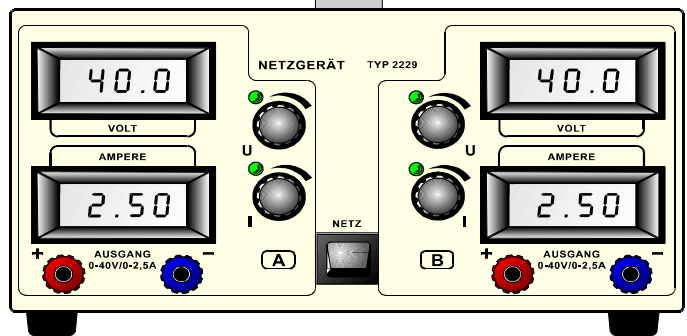
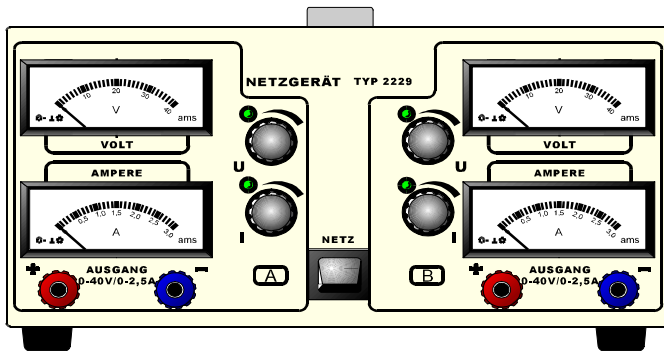
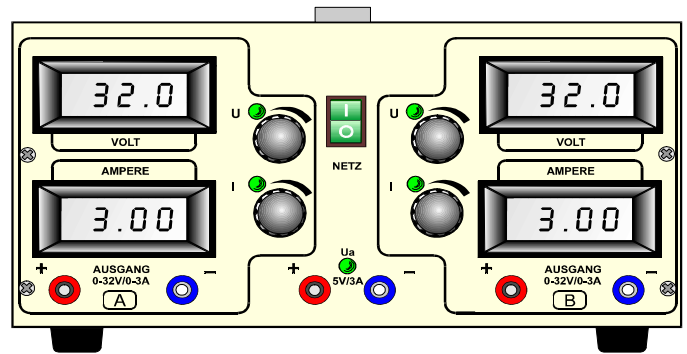


Equipment qualities

- Linear regulator
- Excess temperature protection
- short-circuit proof
- galvanically separated to input
- automatic switch over cv/cc
- separate LCD for current and voltage
- output mass free
- with 5V/3A (type 2229.5)



technical parameter

specification	type	2229.1		2229.2		2229.5		
DC output voltage		0-40V	0-40V	0-40V	0-40V	0-32V	0-32V	5V
DC output current		0-2,5A	0-2,5A	0-2,5A	0-2,5A	0-3A	0-3A	3A
CV stability net +5/-7%		20mV	20mV	20mV	20mV	20mV	20mV	5mV
CV stability load 0-100%		40mV	40mV	40mV	40mV	40mV	40mV	30mV
CV remaining ripple U _{eff}		2mV	2mV	2mV	2mV	2mV	2mV	1mV
CC stability net +5/-7%		2,5mA	2,5mA	2,5mA	2,5mA	2,5mA	2,5mA	
CC stability load 0-100%		5mA	5mA	5mA	5mA	5mA	5mA	
CC remaining ripple I _{eff}		2mA	2mA	2mA	2mA	2mA	2mA	
correction time load 10-100%		100µs						
adjuster U _{output} / I _{output}		wirewound potentiometers /potentiometer 270°				wirewound potentiometer		
dissolution of adjusting		0,10%						
characteristic		U / I						
display for U / I		analog class 5		digital LCD 3½ digit 13mm				LED
operating temperature		0 - 35°C						
max. relative humidity		85% by 35°C						
AC input voltage		230 V +6 / -10% 50Hz						
AC testing voltages		EN 61010 ; EN 61558-2-4						
safety class		I						
electromagnetic compatibility		EN 61000-6-3 ; EN 61000-6-2						
dimensions WxHxD mm		260x140x230						
weight kg		ca. 8kg				ca. 8,5kg		