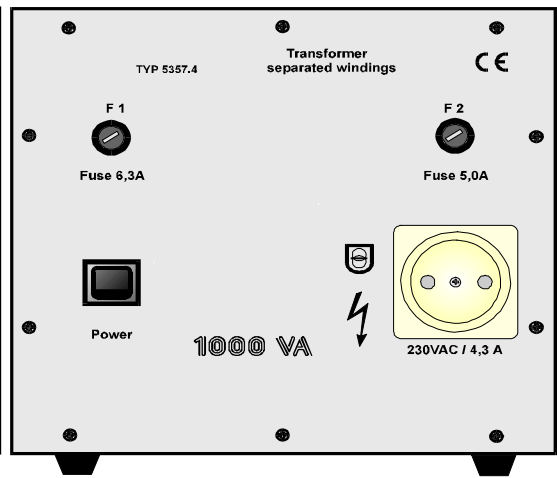
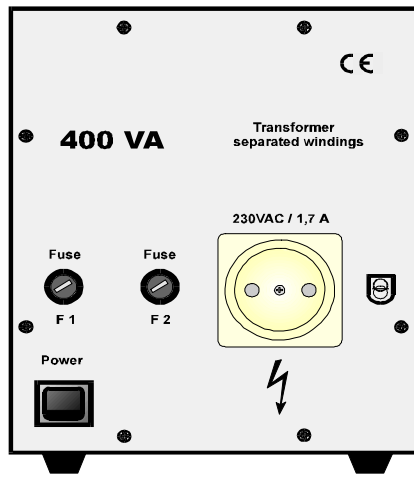
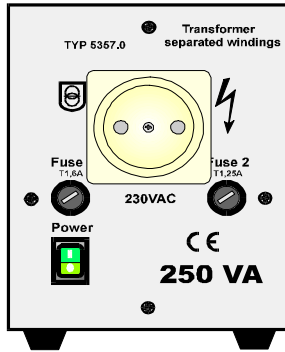
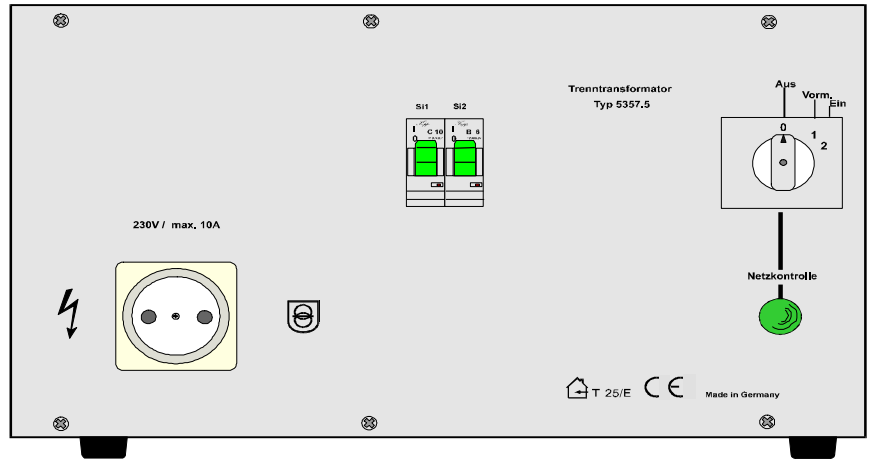


equipment qualities

- thermalmagnetic protective switches at front
- one phases transformer
- security primarily / secondarily
- galvanically separated



technical parameter:

spezifikation / type		5357.0	5357.1	5357.2	5357.3	5357.4	5357.5	
		galvanically separated transformer						
AC	output voltage	230V AC						
AC	output current	1,0A	1,7 A	2,6 A	3,5 A	4,4 A	10A	
AC	rated output power	250 VA	400 VA	600 VA	800 VA	1000 VA	2300 VA	
	dimensions WxHxD mm	122x156x220	183x180x252	244x232x252	244x232x252	380x225x330		
	weight	5 kg	7 kg	11 kg	14 kg	17 kg	40 kg	
AC	input voltage	230V +/- 10% 48-62Hz						
	display	lighted power switch					lamp	
	safety class	I						
	color	front Alu eloxiert / korpus RAL 7036						
	degree of protection	IP 30						
	electric connections input	cable						
	electric connections output	power connector 2 pools						
AC	testing voltages	EN 61010 ; EN 61558-2-4						
	operating temperature	0 - 50°C						
	max.relative humidity	85% by 35°C						
	electromagnetic compatibility	EN 61000-6-3 ; EN 61000-6-2						

option

No.

- 5 AC input voltage 115V