

## Pressure Measurement

Pressure transmitters

Single-range transmitters for general applications

1

### SITRANS LH300 Transmitter for hydrostatic level

#### Overview



The pressure transmitter SITRANS LH300 is a submersible sensor for hydrostatic level measurement with cap made of PPE (left), stainless steel (mid) and ETFE (right).

The pressure transmitter measures the liquid levels in tanks, containers, channels and dams. The SITRANS LH300 pressure transmitters are available for various measuring ranges and with explosion protection as an option.

A junction box and a cable hanger are available as accessories for simple installation.

#### Benefits

- Compact design
- Simple installation
- Small error in measurement (0.15 % typical)
- Degree of protection IP68

#### Application

SITRANS LH300 pressure transmitters are used in the following branches, for example:

- Shipbuilding
- Water/waste water supply
- Drinking water facilities
- For use in unpressurized/open vessels and wells
- Desalination plants

#### Design

The pressure transmitter has a built-in ceramic sensor which is equipped with a Wheatstone resistance bridge.

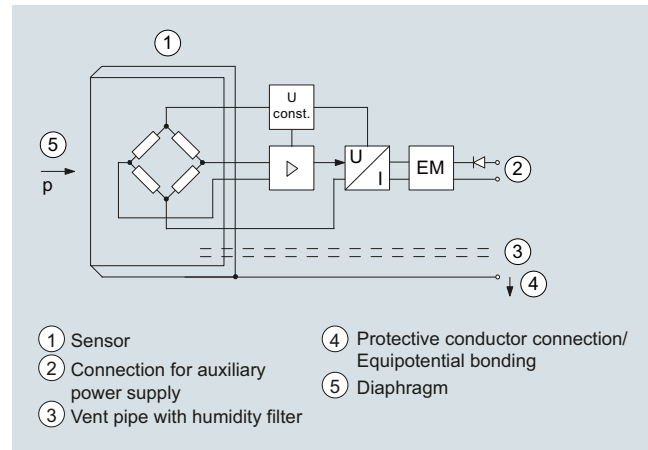
These pressure transmitters are equipped with an electronic circuit fitted together with the sensor in a stainless steel enclosure. In addition, the connecting cable contains a vent pipe which is equipped with a humidity filter to prevent the build-up of condensation.

The diaphragm is protected against external influences by a protective cap.

The sensor, the electronics and the connecting cable are housed in an enclosure with small dimensions.

The pressure transmitter is temperature-compensated for a wide temperature range.

#### Function



SITRANS LH300 pressure transmitter, mode of operation and connection diagram

On one side of the sensor (1), the diaphragm (5) is exposed to the hydrostatic pressure which is proportional to the submersion depth. This pressure is compared with atmospheric pressure. Pressure compensation is carried out using the vent pipe (3) in the connecting cable. The vent pipe is equipped with a humidity filter which prevents the build-up of condensation in the vent pipe.

The hydrostatic pressure of the liquid column acts on the diaphragm of the sensor and transmits the pressure to the Wheatstone resistance bridge in the sensor.

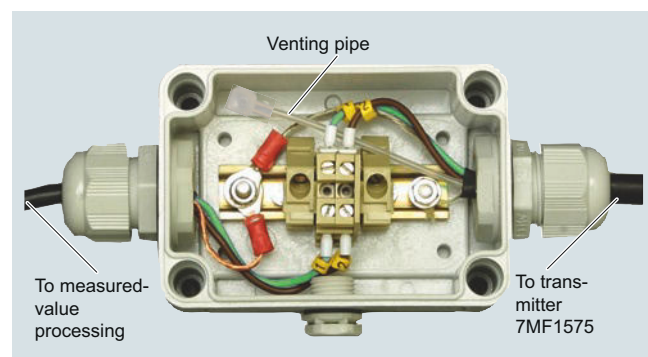
The output voltage of the sensor is applied to the electronic circuit where it is converted into an output current of 4 to 20 mA.

The protective conductor connection/equipotential bonding (4) is connected to the enclosure.

#### Integration

It is generally recommended that the connecting cable of the SITRANS LH300 transmitter is connected to the cable box, which can be ordered separately, and secured with an anchoring clamp, also available separately. The cable plug is to be installed near the measuring point, but outside the medium.

Likewise, in the case of media other than water the compatibility with the specified materials of the transmitter, cable and seal must be checked.



Junction box 7MF1575-8AA, open, schematic diagram

## Pressure Measurement

### Pressure transmitters Single-range transmitters for general applications

#### SITRANS LH300 Transmitter for hydrostatic level

1



Measuring point setup, generally with junction box 7MF1575-8AA and 7MF1575-8AB cable hanger

#### Technical specifications

##### Pressure transmitter SITRANS LH300 (submersible sensor)

Mode of operation	
Measuring principle	Piezo-resistive
Input	
Measured variable	Hydrostatic level
Measuring range	Max. permissible operating pressure
• 0 ... 1 mH <sub>2</sub> O (0 ... 3 ftH <sub>2</sub> O)	• 1.5 bar (21.8 psi) (corresponds to 15 mH <sub>2</sub> O (45 ftH <sub>2</sub> O))
• 0 ... 2 mH <sub>2</sub> O (0 ... 6 ftH <sub>2</sub> O)	• 1.5 bar (21.8 psi) (corresponds to 15 mH <sub>2</sub> O (45 ftH <sub>2</sub> O))
• 0 ... 3 mH <sub>2</sub> O (0 ... 9 ftH <sub>2</sub> O)	• 1.5 bar (21.8 psi) (corresponds to 15 mH <sub>2</sub> O (45 ftH <sub>2</sub> O))
• 0 ... 4 mH <sub>2</sub> O (0 ... 12 ftH <sub>2</sub> O)	• 2 bar (29 psi) (corresponds to 20 mH <sub>2</sub> O (60 ftH <sub>2</sub> O))
• 0 ... 5 mH <sub>2</sub> O (0 ... 15 ftH <sub>2</sub> O)	• 2 bar (29 psi) (corresponds to 20 mH <sub>2</sub> O (60 ftH <sub>2</sub> O))
• 0 ... 6 mH <sub>2</sub> O (0 ... 18 ftH <sub>2</sub> O)	• 2 bar (29 psi) (corresponds to 20 mH <sub>2</sub> O (60 ftH <sub>2</sub> O))
• 0 ... 10 mH <sub>2</sub> O (0 ... 30 ftH <sub>2</sub> O)	• 5 bar (72.5 psi) (corresponds to 50 mH <sub>2</sub> O (150 ftH <sub>2</sub> O))
• 0 ... 20 mH <sub>2</sub> O (0 ... 60 ftH <sub>2</sub> O)	• 10 bar (145 psi) (corresponds to 100 mH <sub>2</sub> O (300 ftH <sub>2</sub> O))
• 0 ... 40 mH <sub>2</sub> O (0 ... 120 ftH <sub>2</sub> O)	• 20 bar (290 psi) (corresponds to 200 mH <sub>2</sub> O (600 ftH <sub>2</sub> O))
Special measuring ranges	
• Up to 100 mH <sub>2</sub> O (300 ftH <sub>2</sub> O)	• 20 bar (290 psi) (corresponds to 200 mH <sub>2</sub> O (600 ftH <sub>2</sub> O))
• Up to 160 mH <sub>2</sub> O (480 ftH <sub>2</sub> O)	• 24 bar (348 psi) (corresponds to 240 mH <sub>2</sub> O (720 ftH <sub>2</sub> O))
Measuring range	
• 0 ... 0.1 bar	• 1.5 bar
• 0 ... 0.2 bar	• 1.5 bar
• 0 ... 0.3 bar	• 1.5 bar
• 0 ... 0.4 bar	• 2 bar
• 0 ... 0.5 bar	• 2 bar
• 0 ... 0.6 bar	• 2 bar
• 0 ... 1 bar	• 5 bar
• 0 ... 2 bar	• 10 bar
• 0 ... 4 bar	• 20 bar
Special measuring range	
• Up to 10 bar	• 20 bar
• Up to 16 bar	• 24 bar
Output	
Output signal	4 ... 20 mA
Measuring accuracy	
Error in measurement at limit setting including hysteresis and reproducibility	According to IEC 60770-1 ≤ 0.15 % of upper range value (typical) ≤ 0.3 % of upper range value (maximum)
Influence of ambient temperature	≤ 0.05 %/10 K of upper range value (zero and span)
Long-term stability	≤ 0.15 % of upper range value/year (zero and span)
Operating conditions	
Ambient conditions	
• Process temperature	-10 ... +80 °C (14 ... 176 °F)
• Storage temperature	-20 ... +80 °C (-4 ... +176 °F)
Degree of protection according to IEC 60529	IP68

## Pressure Measurement

### Pressure transmitters

#### Single-range transmitters for general applications

1

#### SITRANS LH300 Transmitter for hydrostatic level

##### Design

Weight	≈ 0.4 kg (≈ 0.88 lb)
• Pressure transmitter	0.08 kg/m (≈ 0.059 lb/ft)
• Cable	
Maximal freely suspended length	300 m (990 ft)
Electrical connection	Cable with 2 conductors, vent pipe and integrated humidity filters
Material	
• Seal diaphragm	Al <sub>2</sub> O <sub>3</sub> ceramic, 99.6 %
• Enclosure	Stainless steel, mat. no. 1.4404/316L and 1.4539/904L (sea water applications) respectively
• Gasket	FPM (standard) EPDM (optional)
• Connecting cable	PE (standard/drinking water applications) FEP (for aggressive media)
• Cap	Stainless steel, PPE or ETFE

##### Auxiliary power

Terminal voltage on pressure transmitter $U_B$	10 ... 33 V DC for transmitter without explosion protection 10 ... 30 V DC for transmitter with intrinsic safety explosion protection
------------------------------------------------	------------------------------------------------------------------------------------------------------------------------------------------

##### Certificates and approvals

Drinking water approval (ACS)	17 ACC NY 055
EAC	TC N RU Д-DE.ГА02.В.05092
Underwriters Laboratories (UL)	ML File No. E344532, issued 2017-08-17
Shipbuilding approval (LR)	LR_18/20074
Shipbuilding approval (DNV/GL)	TAA00000CE
Shipbuilding approval (BV)	56926/A0 BV
Shipbuilding approval (ABS)	HG1881314_P
Shipbuilding approval (RINA)	ELE067319XG
Pressure equipment directive	The transmitter is not subject to the pressure equipment directive (PED 2014/68/EU)
Explosion protection	
• ATEX	SEV 16 ATEX 0121
• IEC Ex	IEC Ex SEV 16.0003
• EAC Ex	TC RU C-DE.AA87.B.00324
• Intrinsic safety "i"	
- Marking	II 1 G Ex ia IIC T4 Ga

##### Junction box

<b>Application</b>	For connecting the transmitter cable
--------------------	--------------------------------------

##### Design

Weight	0.2 kg (0.44 lb)
Electrical connection	2 x 3-way (28 to 18 AWG)
Cable entry	2 x PG 13.5
Enclosure material	Polycarbonate
Vent valve for atmospheric pressure	

##### Operating conditions

Degree of protection according to IEC 60529	IP65
---------------------------------------------	------

##### Cable hanger

<b>Application</b>	For mounting the transmitter
--------------------	------------------------------

##### Design

Weight	0.16 kg (0.35 lb)
Material	Galvanized steel, polyamide
Terminal area	For cable with a diameter of 5.5 ... 9.5 mm

**Pressure Measurement**

Pressure transmitters

Single-range transmitters for general applications

**SITRANS LH300 Transmitter for hydrostatic level**

Selection and ordering data		Article No.	Order code	Selection and ordering data		Article No.	Order code
<b>Pressure transmitter</b> <b>SITRANS LH300 (submersible sensor)</b> For hydrostatic level measurement, submersible transmitter, two-wire connection, 4 ... 20 mA, enclosure material see Order option, measuring cell Al <sub>2</sub> O <sub>3</sub> ceramics (99.6 % purity), with fixed mounted cable, material of protective cap at PE cable: PPE (colour black) material of protective cap at FEP cable: PPE (colour white) Note: junction box and cable hanger have to be ordered separately. ↗ Click on the Article No. for the online configuration in the PLA Life Cycle Portal.		7MF1575-		<b>Pressure transmitter</b> <b>SITRANS LH300 (submersible sensor)</b> <b>PE cable for general purpose and drinking water applications</b> Special cable length Please add „-Z“ to Article No. and specify Order code and plain text: Y01: Cable length .....		7MF1575-	
<b>Measuring range</b>	<b>Cable length (PE cable)</b>						
0 ... 1 mH <sub>2</sub> O	5 m	1 A		3 m (≈ 10 ft)		H 1 A	
0 ... 2 mH <sub>2</sub> O	5 m	1 B		5 m (≈ 16 ft)		H 1 B	
0 ... 3 mH <sub>2</sub> O	10 m	1 C		7 m (≈ 23 ft)		H 1 C	
0 ... 4 mH <sub>2</sub> O	10 m	1 D		10 m (≈ 33 ft)		H 1 D	
0 ... 5 mH <sub>2</sub> O	10 m	1 E		15 m (≈ 50ft)		H 1 E	
0 ... 6 mH <sub>2</sub> O	10 m	1 F		20 m (≈ 65 ft)		H 1 F	
0 ... 10 mH <sub>2</sub> O	20 m	1 H		25 m (≈ 80 ft)		H 1 G	
0 ... 20 mH <sub>2</sub> O	30 m	1 K		30 m (≈ 100 ft)		H 1 H	
0 ... 40 mH <sub>2</sub> O	50 m	1 L		40 m (≈ 130 ft)		H 1 J	
0 ... 3 ftH <sub>2</sub> O	5 m (≈ 15 ft)	2 A		50 m (≈ 160 ft)		H 1 K	
0 ... 6 ftH <sub>2</sub> O	5 m (≈ 15 ft)	2 B		60 m (≈ 200 ft)		H 1 L	
0 ... 9 ftH <sub>2</sub> O	10 m (≈ 30 ft)	2 C		70 m (≈ 230 ft)		H 1 M	
0 ... 12 ftH <sub>2</sub> O	10 m (≈ 30 ft)	2 D		80 m (≈ 265 ft)		H 1 N	
0 ... 15 ftH <sub>2</sub> O	10 m (≈ 30 ft)	2 E		90 m (≈ 295 ft)		H 1 P	
0 ... 18 ftH <sub>2</sub> O	10 m (≈ 30 ft)	2 F		100 m (≈ 330 ft)		H 1 Q	
0 ... 30 ftH <sub>2</sub> O	20 m (≈ 60 ft)	2 H		125 m (≈ 410 ft)		H 1 R	
0 ... 60 ftH <sub>2</sub> O	30 m (≈ 90 ft)	2 K		150 m (≈ 495 ft)		H 1 S	
0 ... 120 ftH <sub>2</sub> O	50 m (≈ 150 ft)	2 L		175 m (≈ 575 ft)		H 1 T	
0 ... 0.1 bar	5 m	3 A		200 m (≈ 650 ft)		H 1 U	
0 ... 0.2 bar	5 m	3 B		225 m (≈ 740 ft)		H 1 V	
0 ... 0.3 bar	10 m	3 C		250 m (≈ 820 ft)		H 1 W	
0 ... 0.4 bar	10 m	3 D		275 m (≈ 900 ft)		H 1 X	
0 ... 0.5 bar	10 m	3 E		300 m (≈ 990 ft)		H 2 A	
0 ... 0.6 bar	10 m	3 F		350 m (≈ 1150 ft)		H 2 B	
0 ... 1 bar	20 m	3 H		400 m (≈ 1320 ft)		H 2 C	
0 ... 2 bar	30 m	3 K		450 m (≈ 1480 ft)		H 2 D	
0 ... 4 bar	50 m	3 L		500 m (≈ 1650 ft)		H 2 E	
Special versions:				550 m (≈ 1815 ft)		H 2 F	
<u>Measuring ranges for special versions between</u>				600 m (≈ 1980 ft)		H 2 G	
0 ... 1 mH <sub>2</sub> O and 0 ... 160 mH <sub>2</sub> O or				650 m (≈ 2145 ft)		H 2 H	
0 ... 3 ftH <sub>2</sub> O and 0 ... 530 ftH <sub>2</sub> O or				700 m (≈ 2310 ft)		H 2 J	
0 ... 0.1 bar and 0 ... 16 bar possible.				750 m (≈ 2475 ft)		H 2 K	
				800 m (≈ 2640 ft)		H 2 L	
				850 m (≈ 2800 ft)		H 2 M	
				900 m (≈ 2970 ft)		H 2 N	
				950 m (≈ 3135 ft)		H 2 P	
				1000 m (≈ 3300 ft)		H 2 Q	
				Other special cable length	9 X	H 1 Y	
				Please add „-Z“ to Article No. and specify		+	
				Order codes and plain text:		Y 0 1	
				H1Y: Cable length .....			
				Y01: Measuring range .....			

## Pressure Measurement

Pressure transmitters

Single-range transmitters for general applications

1

### SITRANS LH300 Transmitter for hydrostatic level

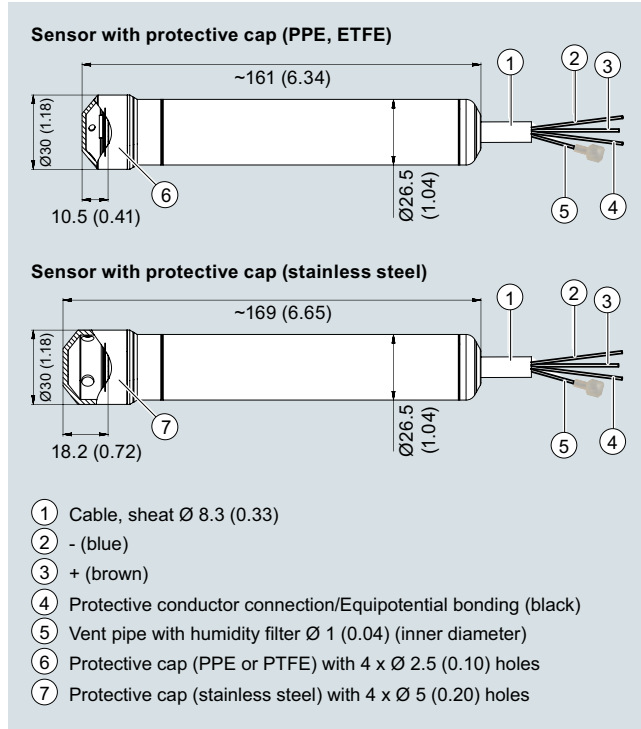
Selection and ordering data	Article No.	Order code	Selection and ordering data	Article No.	Order code
<b>Pressure transmitter SITRANS LH300 (submersible sensor)</b>	<b>7MF1575-</b>		<b>Pressure transmitter SITRANS LH300 (submersible sensor)</b>	<b>7MF1575-</b>	
<b>FEP cable for aggressive media</b>			<b>Enclosure material</b>		
Special cable length Please add „-Z“ to Article No. and specify Order code and plain text: Y01: Cable length .....	<b>9 X</b>	<b>H . . + Y 0 1</b>	<b>Material of protective cap</b>		
3 m (≈ 10 ft)		<b>H 5 A</b>	Stainless steel 316L (1.4404)	<b>A</b>	
5 m (≈ 16 ft)		<b>H 5 B</b>	Stainless steel 316L (1.4404)	<b>B</b>	
7 m (≈ 23 ft)		<b>H 5 C</b>	Stainless steel 316L (1.4404)	<b>C</b>	
10 m (≈ 33 ft)		<b>H 5 D</b>	Stainless steel 904L (1.4539) for sea water applications	<b>D</b>	
15 m (≈ 50ft)		<b>H 5 E</b>	Stainless steel 904L (1.4539) for sea water applications	<b>E</b>	
20 m (≈ 65 ft)		<b>H 5 F</b>	Stainless steel 904L (1.4539) for seawater applications	<b>F</b>	
25 m (≈ 80 ft)		<b>H 5 G</b>			
30 m (≈ 100 ft)		<b>H 5 H</b>			
40 m (≈ 130 ft)		<b>H 5 J</b>			
50 m (≈ 160 ft)		<b>H 5 K</b>			
60 m (≈ 200 ft)		<b>H 5 L</b>			
70 m (≈ 230 ft)		<b>H 5 M</b>			
80 m (≈ 265 ft)		<b>H 5 N</b>			
90 m (≈ 295 ft)		<b>H 5 P</b>			
100 m (≈ 330 ft)		<b>H 5 Q</b>			
125 m (≈ 410 ft)		<b>H 5 R</b>			
150 m (≈ 495 ft)		<b>H 5 S</b>			
175 m (≈ 575 ft)		<b>H 5 T</b>			
200 m (≈ 650 ft)		<b>H 5 U</b>			
225 m (≈ 740 ft)		<b>H 5 V</b>			
250 m (≈ 820 ft)		<b>H 5 W</b>			
275 m (≈ 900 ft)		<b>H 5 X</b>			
300 m (≈ 990 ft)		<b>H 6 A</b>			
350 m (≈ 1150 ft)		<b>H 6 B</b>			
400 m (≈ 1320 ft)		<b>H 6 C</b>			
450 m (≈ 1480 ft)		<b>H 6 D</b>			
500 m (≈ 1650 ft)		<b>H 6 E</b>			
550 m (≈ 1815 ft)		<b>H 6 F</b>			
600 m (≈ 1980 ft)		<b>H 6 G</b>			
650 m (≈ 2145 ft)		<b>H 6 H</b>			
700 m (≈ 2310 ft)		<b>H 6 J</b>			
750 m (≈ 2475 ft)		<b>H 6 K</b>			
800 m (≈ 2640 ft)		<b>H 6 L</b>			
850 m (≈ 2800 ft)		<b>H 6 M</b>			
900 m (≈ 2970 ft)		<b>H 6 N</b>			
950 m (≈ 3135 ft)		<b>H 6 P</b>			
1000 m (≈ 3300 ft)		<b>H 6 Q</b>			
Other special cable length Please add „-Z“ to Article No. and specify Order codes and plain text: H1Y: Cable length .....	<b>9 X</b>	<b>H 5 Y + Y 0 1</b>	<b>Sealing material between sensor and enclosure</b>		
Y01: Measuring range .....			FPM (Standard)	<b>1</b>	
			EPDM (for drinking water)	<b>2</b>	
			<b>Explosion protection</b>		
			without	<b>0</b>	
			With ATEX II1 G Ex ia IIC T4 Ga, IECEx Ex ia IIC T4 Ga and EAC Ex (only possible for cable length ≤ 300 m (990 ft))	<b>1</b>	
			<b>Additional versions</b>		Order code
			Quality test certificate, 5-point factory calibration (IEC 60770-2)		<b>C11</b>
			<b>Accessories/spare parts</b>		Article No.
			<b>Junction box</b>		<b>7MF1575-8AA</b>
			<b>Cable hanger</b>		<b>7MF1575-8AB</b>
			<b>Protective caps, PPE, as spare part (10-pack)</b>		<b>7MF1575-8AD</b>
			<b>Protective caps, ETFE, as spare part (10-pack)</b>		<b>7MF1575-8AE</b>
			<b>Humidity filters as spare part (10-pack)</b>		<b>7MF1575-8AF</b>
			<b>Protective cap, stainless steel 316L (1.4404) for waste water applications</b>		<b>7MF1575-8AG</b>
			<b>Protective cap, stainless steel 904L (1.4539) for sea water applications</b>		<b>7MF1575-8AH</b>

## Pressure Measurement

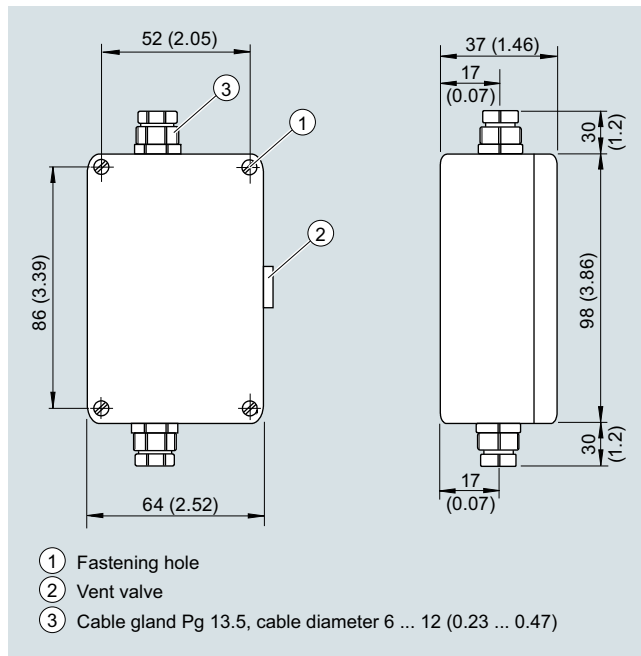
Pressure transmitters  
Single-range transmitters for general applications

### SITRANS LH300 Transmitter for hydrostatic level

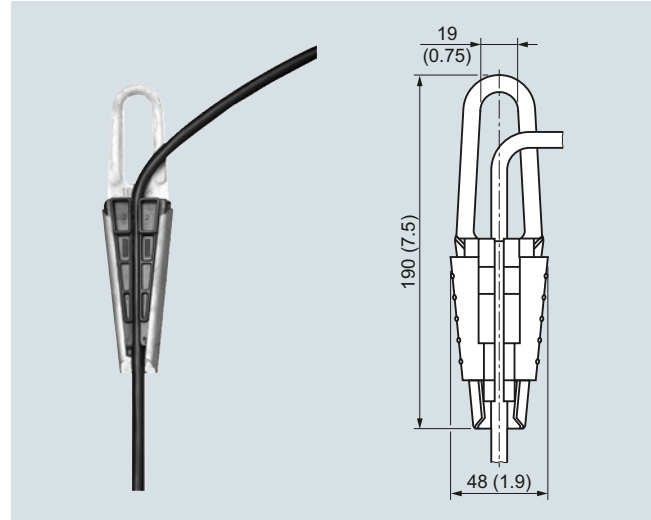
#### Dimensional drawings



SITRANS LH300 pressure transmitter, dimensions in mm (inch)



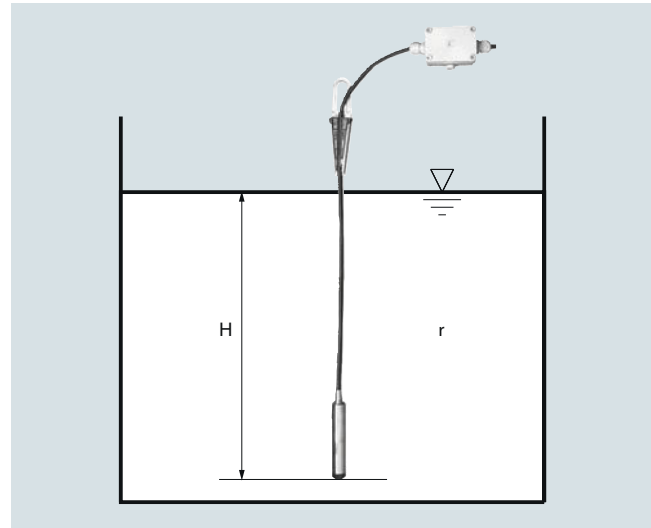
Junction box, dimensions in mm (inch)



Cable hanger, dimensions in mm (inch)

#### More information

##### Determination of the measuring range for medium water



Calculation of the measuring range:

$$p = \rho \times g \times H$$

with:

$\rho$  = density of medium

$g$  = local acceleration due to gravity

$H$  = maximum level

Example:

Medium: Water,  $\rho = 1\,000\text{ kg/m}^3$

Acceleration due to gravity:  $9.81\text{ m/s}^2$

Lower range value: 0 m

Maximum level: 6.0 m

Cable length: 10 m

Calculation:

$$p = 1\,000\text{ kg/m}^3 \times 9.81\text{ m/s}^2 \times 6.0\text{ m}$$

$$p = 58\,860\text{ N/m}^2$$

$$p = 589\text{ mbar}$$

Transmitter to be ordered:

**7MF1575-1FA10**

Plus, if required, junction box 7MF1575-8AA and cable hanger 7MF1575-8AB