



# IPA 440

## Field Display for Current Loop with Contacts

### Functional range

- ▶ free scalable display
- ▶ switch mode, hysteresis, parameterizable deceleration of the contacts
- ▶ no external power supply necessary

### Product characteristics

- ▶ field display for pressure transmitter with output signal: 4 ... 20 mA / 2-wire or 0 ... 10 V / 3-wire
- ▶ 4-digit LCD display
- ▶ plastic housing
- ▶ pressure compensation element with PTFE-Filter

### Optional versions

- ▶ IS-version
- ▶ 2 contacts
- ▶ 4-digit LED display

### Typical application

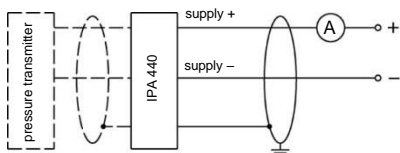


in situ display at e.g. for tank batteries, pumping stations and much more

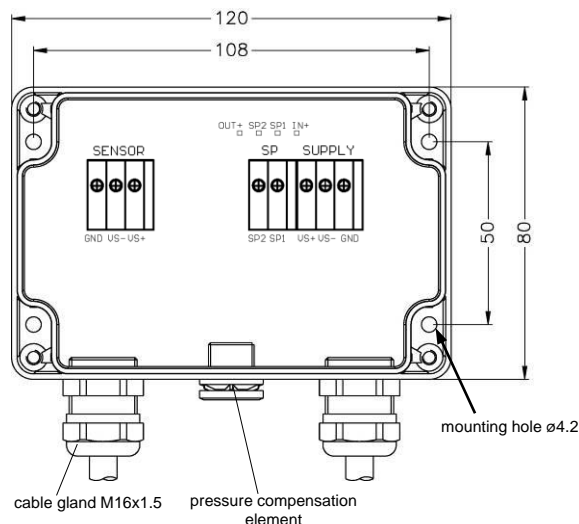


<b>Analogue signal</b>	
Standard	2-wire: 4 ... 20 mA
Option IS-version	2-wire: 4 ... 20 mA
Option 3-wire	0 ... 10 V (in preparation)
Accuracy	$\leq \pm 0.1\%$ FSO $\pm 1$ digit
<b>Supply</b>	
2-wire system	supplied by current loop; voltage drop $\leq 6.5$ V IS version: max. 28 V <sub>DC</sub> (for combination with transmitter and IPA 440)
3-wire system	display is supplied parallel with transmitter; V <sub>S</sub> = 8 V <sub>DC</sub> ... 36 V <sub>DC</sub>
<b>Contact</b>	
Number, type	2 independent PNP open collector contacts
Switching performance	contact rating max. 125 mA, short-circuit resistant
Switching frequency	max. 8/sec
Delay time	0 ... 100 sec
<b>Miscellaneous</b>	
Electrical protection	reverse polarity protection (no damage, but also no function); electromagnetic compatibility (emission and immunity according to EN 61326); short-circuit protection
Ingress protection	IP 65
Display	4-digit, 7-segment LC display, range of indication -1999 ... +9999; accuracy 0.2 % $\pm 1$ digit; standard: LC display, digit height 18 mm option: LED display, digit height 10 mm, red
Permissible temperatures	electronics / environment / storage: -20 ... 70 °C
Material display housing	plastic ABS, grey
Cable entries	cable gland M16x1.5 Polyamide, seals NBR, diameter range: standard 5 ... 10 mm
Atmospheric pressure compensation	pressure compensation element with PTFE filter
Terminal clamps	vertical clamps for stranded and solid wires up to 2.5 mm <sup>2</sup>
Dimensions (height/width/depth)	80 mm x 120 mm x 57 mm
Weight	approx. 220 g
CE-conformity	EMC Directive: 2014/30/EU
<b>Explosion protection (optionally)</b>	
Approval AX15-IPA 440	IBExU 08 ATEX1126 X / IECEx IBE 21.0023X zone 1: II 2G Ex ia IIB T4 Gb
Safety technical maximum values	U <sub>i</sub> = 28 V <sub>DC</sub> , I <sub>i</sub> = 93 mA, P <sub>i</sub> = 660 mW, C <sub>i</sub> = 0 nF, L <sub>i</sub> = 0 $\mu$ H
Ambient temperature range	from -20 °C to +70 °C

### Wiring diagram

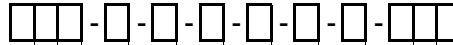


### Dimensions (in mm)



## Ordering code IPA 440

IPA 440



<b>Standard version</b>									
	8	5	1						
<b>Analogue output</b>									
				1					
				E					
				9					consult
<b>Contact</b>									
				0					
				2					
<b>Unit</b>									
				0					
				1					
				2					
				3					
				P					
				A					
				9					consult
<b>Label on display</b>									
				1					
				N					
				9					consult
<b>Display</b>									
						C			
						D			
<b>Housing material</b>									
						G			
<b>Special version</b>									
						0	0	0	
						1	0	1	
						9	9	9	consult

<sup>1</sup> only possible in combination with LED display

<sup>2</sup> the unit signs are loose-settled

<sup>3</sup> not possible for IS version

01.04.2020