

Additional information for hazardous areas (Ex i)
Resistance thermometers and thermocouples, models TRxx, TCxx

EN

Zusatzinformation für explosionsgefährdete Bereiche (Ex i)
Widerstandsthermometer und Thermoelemente, Typen TRxx, TCxx

DE

Informations complémentaires concernant les zones explosives (Ex i)
Sondes à résistance et thermocouples, types TRxx, TCxx

FR

Información adicional para zonas potencialmente explosivas (Ex i)
Termorresistencias y termopares, modelos TRxx, TCxx

ES



Examples/Beispiele/Exemples/Ejemplos

EN	Additional information models TRxx and TCxx (Ex i)	Page	3 - 26
DE	Zusatzinformation Typen TRxx und TCxx (Ex i)	Seite	27 - 46
FR	Informations complémentaires types TRxx et TCxx (Ex i)	Page	47 - 66
ES	Información adicional modelos TRxx y TCxx (Ex i)	Página	67 - 85

© 04/2016 WIKA Alexander Wiegand SE & Co. KG
 All rights reserved. / Alle Rechte vorbehalten.
 WIKA® is a registered trademark in various countries.
 WIKA® ist eine geschützte Marke in verschiedenen Ländern.

Prior to starting any work, read the operating instructions!
 Keep for later use!

Vor Beginn aller Arbeiten Betriebsanleitung lesen!
 Zum späteren Gebrauch aufbewahren!

Lire le mode d'emploi avant de commencer toute opération !
 A conserver pour une utilisation ultérieure !

¡Leer el manual de instrucciones antes de comenzar cualquier trabajo!
 ¡Guardar el manual para una eventual consulta!

Contents

1. Ex marking	4
2. Safety	6
3. Commissioning, operation	7
4. Special conditions for safe use (X conditions)	15
5. Calculation examples for self-heating at the sensor/ thermowell tip	17
Appendix 1: EU declaration of conformity	22
Appendix 2: EPL matrix	25

Declarations of conformity can be found online at www.wika.com.

1. Ex marking

EN

Supplementary documentation:

- ▶ This additional information for hazardous areas applies in conjunction with the operating instructions “Resistance thermometers and thermocouples, models TRxx and TCxx” (article number 14150915).

Models concerned:

- ▶ These operating instructions are valid for a whole range of products. For a detailed listing of these models see “Appendix: EU declaration of conformity” (page 24).

1. Ex marking



DANGER!

Danger to life due to loss of explosion protection

Non-observance of these instructions and their contents may result in the loss of explosion protection.

- ▶ Observe the safety instructions in this chapter and further explosion instructions in these operating instructions.
- ▶ Follow the requirements of the ATEX directive.
- ▶ Observe the information given in the applicable type examination certificate and the relevant regulations for installation and use in hazardous areas (e.g. IEC 60079-11, IEC 60079-10 and IEC 60079-14).

Check whether the classification is suitable for the application. Observe the relevant national regulations.

ATEX

IECEX

- | | |
|---------|--|
| II 1G | Ex ia IIC T1, T2 T3, T4, T5, T6 Ga |
| II 1/2G | Ex ia IIC T1, T2, T3, T4, T5, T6 Ga/Gb |
| II 2G | Ex ia IIC T1, T2, T3, T4, T5, T6 Gb |
| II 2G | Ex ib IIC T1, T2, T3, T4, T5, T6 Gb |
| II 1D | Ex ia IIIC T65 °C, T95 °C, T125 °C Da |
| II 1/2D | Ex ia IIIC T65 °C, T95 °C, T125 °C Da/Db |
| II 2D | Ex ia IIIC T65 °C, T95 °C, T125 °C Db |
| II 2D | Ex ib IIIC T65 °C, T95 °C, T125 °C Db |

1. Ex marking

For applications without transmitters (digital displays) that require group II instruments (potentially explosive gas atmospheres), the following temperature class classification and ambient temperature ranges apply:

Table 1

Marking		Temperature class	Ambient temperature range (T_a)	Max. surface temperature (T_{max}) at the sensor or thermowell tip
ATEX	IECEX			
II 1G	Ex ia IIC T1, T2 T3, T4, T5, T6 Ga	T1 ... T6	(-50) ¹⁾ -40 ... +80 °C	T_M (medium temperature) + self-heating For this, the special conditions must be observed (see chapter 4 "Special conditions for safe use (X conditions)").
II 1/2G	Ex ia IIC T1, T2, T3, T4, T5, T6 Ga/Gb			
II 2G	Ex ia IIC T1, T2, T3, T4, T5, T6 Gb			
II 2G	Ex ib IIC T1, T2, T3, T4, T5, T6 Gb			

For applications requiring instruments of equipment group II (potentially explosive dust atmospheres), the following surface temperatures and ambient temperature ranges apply:

Table 2

Marking		Power P_i	Ambient temperature range (T_a)	Max. surface temperature (T_{max}) at the sensor or thermowell tip
ATEX	IECEX			
II 1D	Ex ia IIIC T65 °C Da	750 mW	(-50) ¹⁾ -40 ... +40 °C	T_M (medium temperature) + self-heating For this, the special conditions must be observed (see chapter 4 "Special conditions for safe use (X conditions)").
II 1/2D	Ex ia IIIC T65 °C Da/Db			
II 2D	Ex ia IIIC T65 °C Db			
II 2D	Ex ib IIIC T65 °C Db			
II 1D	Ex ia IIIC T95 °C Da	650 mW	(-50) ¹⁾ -40 ... +70 °C	T_M (medium temperature) + self-heating For this, the special conditions must be observed (see chapter 4 "Special conditions for safe use (X conditions)").
II 1/2D	Ex ia IIIC T95 °C Da/Db			
II 2D	Ex ia IIIC T95 °C Db			
II 2D	Ex ib IIIC T95 °C Db			
II 1D	Ex ia IIIC T125 °C Da	550 mW	(-50) ¹⁾ -40 ... +80 °C	T_M (medium temperature) + self-heating For this, the special conditions must be observed (see chapter 4 "Special conditions for safe use (X conditions)").
II 1/2D	Ex ia IIIC T125 °C Da/Db			
II 2D	Ex ia IIIC T125 °C Db			
II 2D	Ex ib IIIC T125 °C Db			

When there is a built-in transmitter and/or a digital display, the special conditions from the type examination certificate (see chapter 4 "Special conditions for safe use (X conditions)") apply.

1) The values in brackets apply to special designs. These sensors are manufactured using special sealing compounds. Moreover, they feature cases made of stainless steel and cable glands for low-temperature ranges.

1. Ex marking / 2. Safety


1.1 Instrument use in different explosion protection zones (EPL)

For applications that require an EPL Gb, instruments with an EPL Ga can also be used. If an instrument with EPL Ga is used in an application that requires EPL Gb, then the instrument may not be re-used in an application that requires EPL Ga.

EN

For applications that require an EPL Gc, instruments with an EPL Ga or Gb can also be used. If an instrument with EPL Ga or Gb is used in an application that requires EPL Gc, then the instrument may not be re-used in an application that requires EPL Ga or Gb.

1.2 “Quasi grounded” sensor

Versions with \varnothing 3 mm with 2 x 4-wire, \varnothing < 3 mm or “grounded” versions do not conform to section 6.3.13, IEC/EN 60079-11 and are identified as “quasi grounded” .

Observe the special conditions (see chapter 4 “Special conditions for safe use (X conditions)”, point 1).

1.3 Use in methane atmospheres

Due to the higher minimum ignition current of methane, the instruments can also be used where methane causes a potentially explosive gas atmosphere.

2. Safety

2.1 Explanation of symbols



DANGER!

... indicates a potentially dangerous situation in the hazardous area that can result in serious injury or death, if not avoided.

2.2 Intended use

The thermometers described here are suitable for temperature measurement in hazardous areas.

The non-observance of the instructions for use in hazardous areas can lead to the loss of the explosion protection. Adhere to the limit values and instructions (see data sheet).

Sensors with connectors

For versions with connector, Ex i, dust the following applies: Position of the connector only permissible outside the hazardous area.

2. Safety / 3. Commissioning, operation

2.3 Responsibility of the operator

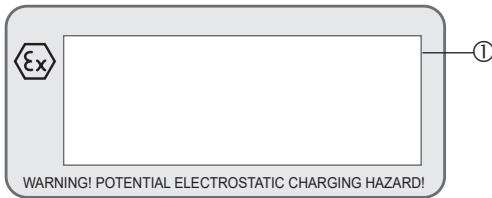
The responsibility for classification of zones lies with the plant operator and not the manufacturer/supplier of the equipment.

2.4 Personnel qualification

The skilled electrical personnel must have knowledge of ignition protection types, regulations and provisions for equipment in hazardous areas.

2.5 Labelling, safety marks

Additional product label (example)



① Approval-related data

❄ ATEX/IECEx: Minimum permissible ambient temperature -50 °C

In this case, the usability of the instrument is indicated by a snowflake symbol.

3. Commissioning, operation



DANGER!

Danger to life from explosion

By using a measuring insert without a suitable connection head (case), an explosion risk occurs which can cause fatalities.

- ▶ Only use measuring insert in the connection head designed for it.



DANGER!

Danger to life from missing grounding

With missing or incorrect grounding, there exists a risk of dangerous voltages (leading to, for example, mechanical damage, electrostatic charge or induction).

- ▶ Ground thermometer!

Observe the special conditions (see chapter 4 “Special conditions for safe use (X conditions)”, point 2).

3. Commissioning, operation

3.1 Mechanical mounting

3.1.1 Multipoint assemblies

In this design, several, exchangeable (if required) thermocouples or resistance thermometers are combined into a complete instrument so that measurements can be carried out at different immersion depths. Multipoint assemblies are usually equipped with a case in which transmitters or terminal blocks are mounted.

The transmitters/digital displays are fastened using a rail system in a case or holder in the connection head and wired in accordance with IEC/EN 60079-11 and IEC/EN 60079-14. Optionally, depending on design, the cases can be equipped with or without connection terminals (e.g. terminal blocks, etc.) in accordance with IEC/EN 60079-11 and IEC/EN 60079-14.

When using several transmitters/digital displays, a larger case is used in order to account for the increased self-heating. This guarantees that the case surface temperature does not increase significantly.

3.1.2 Cable probe

When using cable probes in conjunction with an additional case (with terminal blocks or transmitters), the components used must correspond to the explosion protection of the cable probe.

Observe the special conditions (see chapter 4 “Special conditions for safe use (X conditions)”, point 7).

3.2 Electrical mounting

Using a transmitter/digital display (option):

Observe the contents of the operating instructions for the transmitter/digital display (see scope of delivery).

Built-in transmitters/digital displays have own certificates. For instruments with built-in transmitter or digital display, the permissible ambient temperature ranges specified in their certificates also apply to the entire instrument.

Observe the special conditions (see chapter 4 “Special conditions for safe use (X conditions)”, point 3).

3. Commissioning, operation

3.2.1 Electrical connection values

■ Electrical data without built-in transmitter or digital display

Parameters	Instrument group II	
	Potentially explosive gas atmosphere ¹⁾	Potentially explosive dust atmosphere
Voltage U_i	DC 30 V	DC 30 V
Current I_i	550 mA	250 mA ²⁾
Power P_i (at the sensor)	1.5 W ³⁾	For values, see "table 2" (column 2), chapter 1 "Ex marking" ⁴⁾
Effective internal capacitance C_i of standard measuring inserts in accordance with DIN 43735	Negligible ⁵⁾	Negligible ⁵⁾
Effective internal inductance L_i of standard measuring inserts in accordance with DIN 43735	Negligible ⁵⁾	Negligible ⁵⁾

1) Use in methane atmospheres

Owing to the higher minimum ignition energy of methane, the instruments can also be used where methane causes a potentially explosive gas atmosphere.

2) Current per IEC 60079-11 table 4

3) The permissible power to the sensor depends on the temperature of the medium T_M , the temperature class and the thermal resistance R_{th} , but shall not be more than 1.5 W.

Calculation examples see chapter 5 "Calculation examples for self-heating at the sensor/thermowell tip".

4) The permissible power to the sensor depends on the temperature of the medium T_M , the maximum allowed surface temperature and the thermal resistance R_{th} , but shall not be more than the values from "table 2" (column 2), chapter 1 "Ex marking".

5) The internal inductance ($L_i = 1 \mu\text{H/m}$) and capacitance ($C_i = 200 \text{ pF/m}$) for cable probes must be taken into account when connecting to an intrinsically-safe voltage supply.

■ Electrical data with built-in transmitter or digital display

U_i = depending on the transmitter/digital display

I_i = depending on the transmitter/digital display

P_i = in the case: depending on the transmitter/digital display

C_i = depending on the transmitter/digital display

L_i = depending on the transmitter/digital display

■ Electrical data with built-in transmitter in accordance with the FISCO model

The transmitters/digital displays used for the application range in accordance with the FISCO model are considered FISCO field instruments. The requirements in accordance with IEC/EN 60079-27, and the connection conditions of the approvals in accordance with FISCO, apply.

EN

3. Commissioning, operation

■ TC95 and TR95 multipoint thermocouples

Assembly of multipoint thermocouples from individual sheathed elements

For the individual ungrounded sheathed element, the values mentioned in 3.2.1 apply. For operationally grounded multipoint thermocouples, the sum of all the sensors must comply with the above-mentioned values. For applications in dust areas, observe the values from “table 2” (column 2) in chapter 1 “Ex marking”.

3.3 Temperature class classification, ambient temperatures

The permissible ambient temperatures depend on the temperature class, the cases used and the optionally built-in transmitter and/or digital display.

Where there are neither transmitters nor digital displays mounted within the case, there will also be no additional warming. With a built-in transmitter (optionally with digital display), heating caused by operating the transmitter or digital display may occur.

For applications without transmitters (digital displays) that require group II instruments (potentially explosive gas atmospheres), the following temperature class classification and ambient temperature ranges apply:

Temperature class	Ambient temperature range (T_a)
T1 ... T6	(-50) -40 ... +80 °C

The permissible ambient temperatures and surface temperatures for third-party products can be seen from the relevant approvals and/or data sheets and must be observed.

For applications requiring instruments of equipment group II (potentially explosive dust atmospheres), the following ambient temperature ranges apply:

Power P_i	Ambient temperature range (T_a)
750 mW	(-50) -40 ... +40 °C
650 mW	(-50) -40 ... +70 °C
550 mW	(-50) -40 ... +80 °C

The values in brackets apply to special designs. These sensors are manufactured using special sealing compounds. Moreover, they feature connection heads made of stainless steel and cable glands for low-temperature ranges.

According to approval, these thermometers are suitable for the temperature classes T1 ... T6. This applies for instruments with or without built-in transmitters and/or digital displays. Make sure the maximal ambient temperature for the safe use of the instrument is not exceeded.

3. Commissioning, operation

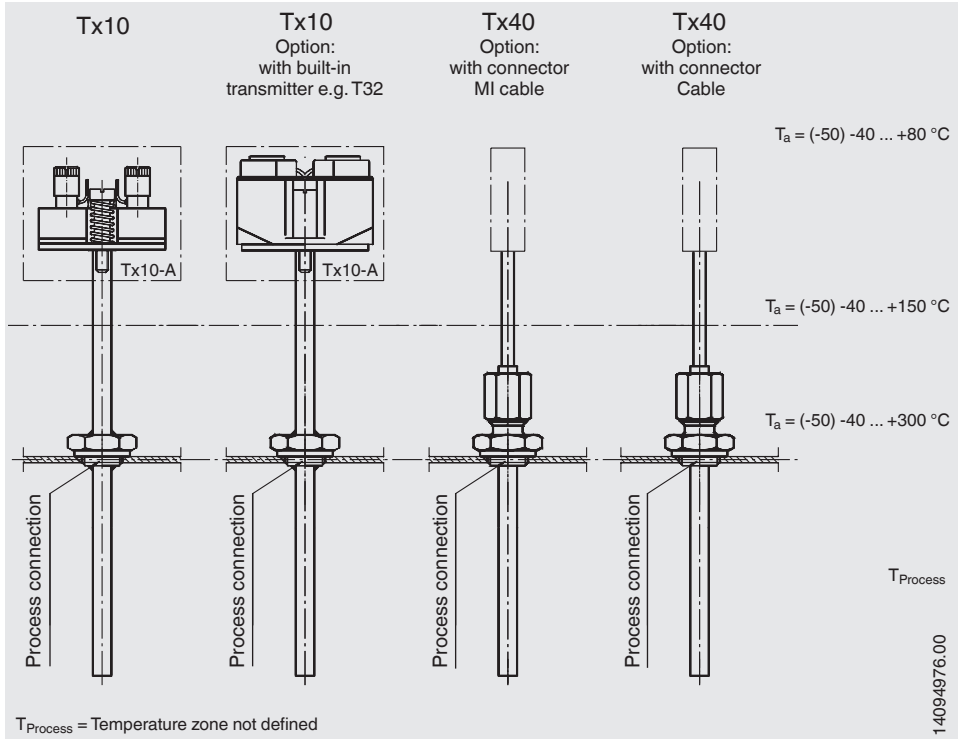
3.4 Temperature carry-over from the process

Prevent any heat reflux from the process!

Observe the special conditions (see chapter 4 “Special conditions for safe use (X conditions)”, point 4).

EN

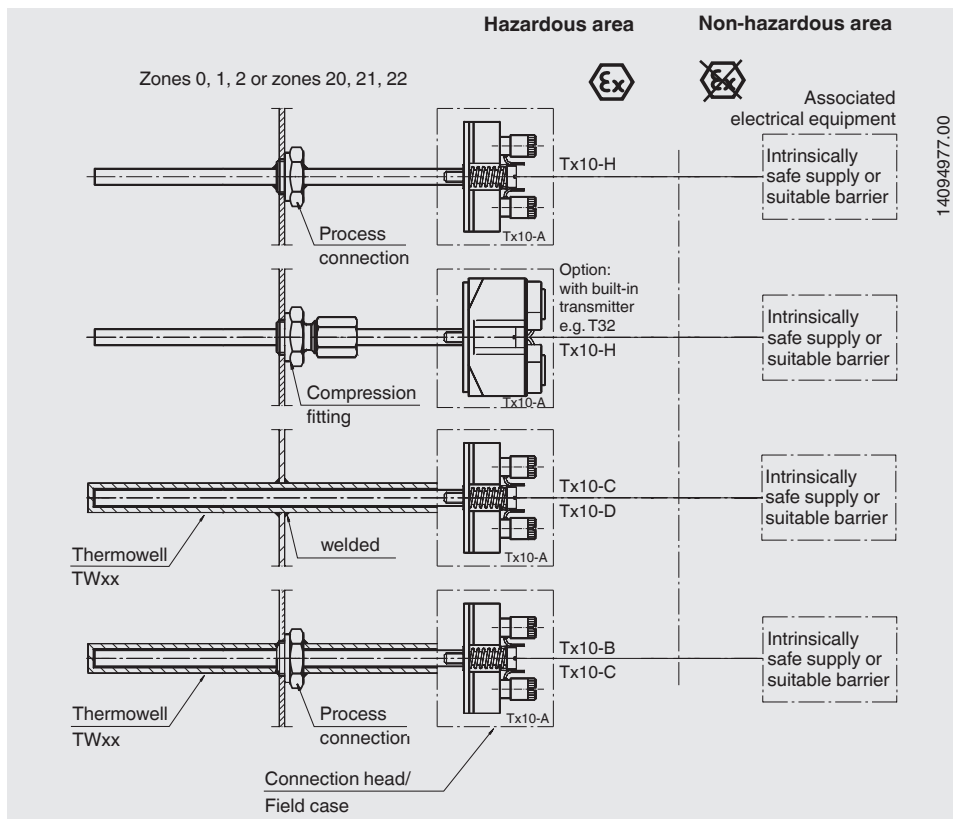
Overview of the temperature zones



3. Commissioning, operation

3.5 Mounting examples

3.5.1 Possible installation methods with the marking II 1G Ex ia IIC T6 Ga or II 1D Ex ia IIIC T65 °C Da



The sensor together with case or connection head is located in zone 0 (zone 20). An Ex ia type circuit must be used. Connection heads/cases made of aluminium are usually not permitted in zone 0. At this position, WIKA recommends connection heads/cases made of stainless steel.

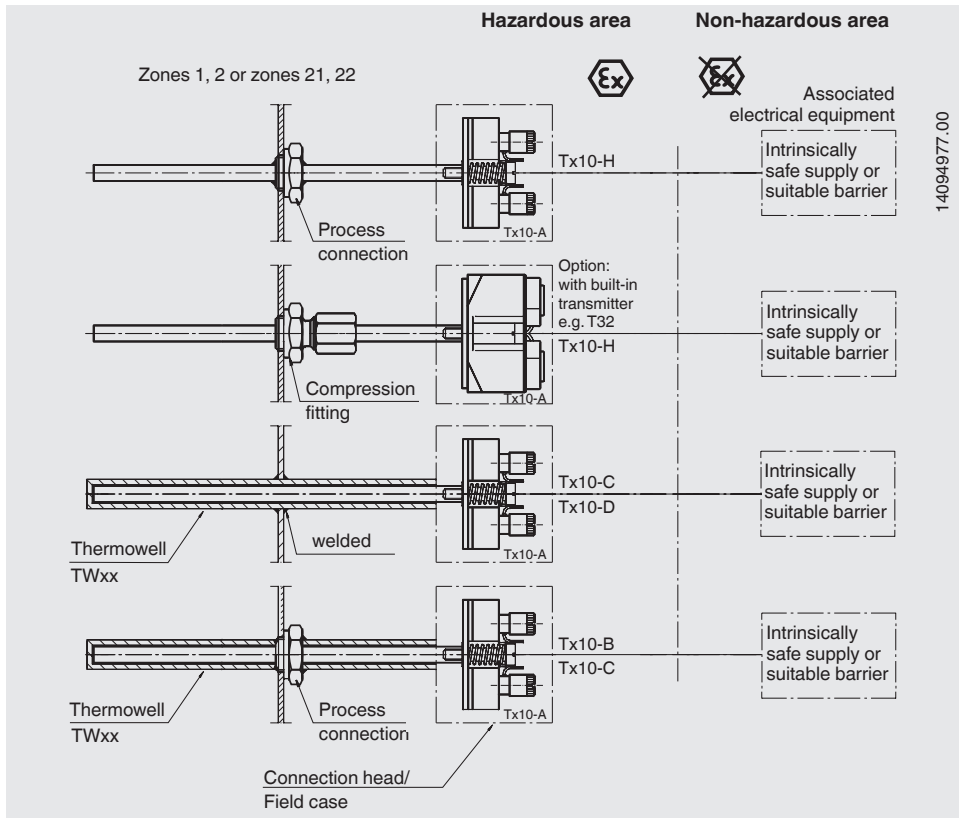
Protection measures for applications that require EPL Ga or Da:

For the case where a light metal case is used in zone 0, the following protective measures apply: Operationally based friction or impacts between light metal instrument components or their alloys (e.g. aluminium, magnesium, titanium or zirconium) and instrument components from iron/steel, are not permitted. Operationally based friction or impacts between light metals are permitted.

Observe the special conditions (see chapter 4 “Special conditions for safe use (X conditions)”, point 5 and 7).

3. Commissioning, operation

3.5.3 Possible installation methods with the marking II 2G Ex ia IIC T1 ... T6 Gb or II 2D Ex ia IIIC T65 ... T125 °C Db



3.5.4 Partition walls for separation between zone 0 and the less hazardous zone or separation between hazardous and non-hazardous area

The wall thickness of the partition wall should be at least 1 mm (stainless steel).

If the wall thickness is < 1 mm, please note the following:

In case a mineral-insulated sheathed cable is a partition wall, the minimum wall thickness is 10 % of the outer diameter of the mineral-insulated sheathed cable. If a transition sleeve between flexible cable and mineral-insulated sheathed cable is part of the partition wall, the minimum wall thickness of the transition sleeve is 0.4 mm.

The operator must not create an ambient condition that negatively affects the minimum wall thickness of the partition wall. This is particularly the case for the models TR10-D, TC10-D, TR10-H, TC10-H, TR40, TC40, TR41, TR50, TC50, TR53 and TC53.


3. Commissioning ... / 4. Special conditions for safe use ...

Observe the special conditions (see chapter 4 “Special conditions for safe use (X conditions)”, point 5).

Alternatively, a thermowell of suitable minimum wall thickness may be used by the customer. For this, observe the special conditions (see chapter 4 “Special conditions for safe use (X conditions)”, point 6).

EN

4. Special conditions for safe use (X conditions)

- 1) Versions with $\varnothing < 3$ mm or “grounded measuring points” do not comply to clause 6.3.13 of IEC/EN 60079-11 because of the kind of use. By that from a safety-related view this intrinsically safe circuits shall be considered as galvanically connected (“quasi grounded” ) to ground potential. Potential equalisation shall exist in the complete course of the erection of the intrinsically safe circuits. Furthermore, for the connection the requirements of IEC/EN 60079-14 shall be considered.
- 2) For instruments that do not comply to the electrostatic requirements of IEC/EN 60079-0 and IEC/EN 60079-26 due to their construction, electrostatic charging shall be avoided.
- 3) The used transmitters/digital displays shall be provided with their own EC-type examination certificate in accordance with IEC. The installation conditions, electrical connection values, temperature classes resp. the maximum surface temperatures of instruments for the use in explosive dust atmospheres and the permissible ambient temperature shall be taken from the corresponding EC-type examination certificates and shall be considered.
- 4) A reverse heat flow from the process exceeding the permissible ambient temperature of the transmitter, digital display or enclosure is not allowed and shall be avoided by a suitable thermal insulation or a suitable neck length of the tubing.
- 5) In case of a wall thickness less than 1 mm, the instrument may not be exposed to environmental conditions which may negatively affect the partition wall. A thermowell with a suitable minimum wall thickness can be used alternatively.
- 6) Using a thermowell/neck tube the instrument shall be constructed in a way that allows an installation that results in a sufficiently tight joint (IP66 or IP67) or a flameproof joint (IEC/EN 60079-1) in the direction of the less endangered area.
- 7) *Not relevant for this instrument (see X conditions in EC-type examination certificate)*

4. Special conditions for safe use (X conditions)

- EN
- 8) For the use of enclosures they shall either be provided with their own EC-type examination certificate or they shall comply to the minimum requirements.
IP protection: At least IP20 (at least IP6x for dust), applies to all enclosures.
Light metal enclosures, however, shall comply with clause 8.3 and 8.4 of IEC/EN 60079-0. Non-metallic enclosures or powder-coated enclosures shall also comply with 7.4 of IEC/EN 60079-0 or have a corresponding warning marking.
 - 9) Accessible parts of metallic enclosures which are not connected to ground and accessible parts of metallic enclosures which are connected to ground but do not comply to clause 6.5 of IEC/EN 60079-11, shall comply with clause 7.5 of IEC/EN 60079-0 or have a corresponding warning marking.
 - 10) In case it is impracticable to include the ambient temperature range within the marking of the instrument, because the instrument is a small instrument according to 29.10 of IEC/EN 60079-0, the ambient temperature range shall be specified in the supplied manual. If the instrument is not a small instrument according to 29.10 of IEC/EN 60079-0 and the ambient temperature range is not included within the marking, the marking shall additionally include an advisory marking referring to the supplied manual.

Protection measures for applications that require EPL Ga or Da:

Operationally based friction or impacts between light metal instrument components or their alloys (e.g. aluminium, magnesium, titanium or zirconium) and instrument components from iron/steel, are not permitted. Operationally based friction or impacts between light metals are permitted.

5. Calculation examples for self-heating at the sensor/ thermowell tip

The self-heating at the sensor tip or thermowell tip depends upon the sensor type (resistance thermometer/thermocouple), the sensor diameter, the thermowell design and the power supplied to the temperature transmitter in the event of a failure. The table below shows the possible combinations. The table shows that when a failure occurs, thermocouples produce much less self-heating than resistance thermometers.

EN

Thermal resistance [R_{th} in K/W]

Sensor type	Resistance thermometer (RTD)				Thermocouple (TC)			
	2.0 ... < 3.0	3.0 ... < 6.0	6.0 ... 8.0	3.0 ... 6.0 ¹⁾	0.5 ... < 1.5	1.5 ... < 3.0	3.0 ... < 6.0	6.0 ... 12.0
Without thermowell	245	110	75	225	105	60	20	5
With fabricated thermowell (straight and tapered), e.g. TW22, TW35, TW40, TW45 etc.	135	60	37	-	-	-	11	2.5
With thermowell - solid-body material (straight and tapered), e.g. TW10, TW15, TW20, TW25, TW30, TW50, TW55, TW60, etc.	50	22	16	-	-	-	4	1
Special thermowell in accordance with EN 14597	-	-	33	-	-	-	-	2.5
Tx55 (retaining tube)	-	110	75	225	-	-	20	5
Built into a blind bore (minimum wall thickness 5 mm)	50	22	16	45	22	13	4	1

1) surface-sensitive

When using multiple sensors and simultaneous operation, the sum of the individual powers must not exceed the value of the maximum permissible power. The maximum permissible power must be limited to 1.5 W maximum. This must be guaranteed by the plant operator.

5.1 Calculation for RTD measuring point with thermowell

- ▶ Use at the partition to zone 0

Calculate the maximum possible temperature, T_{\max} , at the thermowell tip for the following combination:

- ▶ RTD measuring insert \varnothing 6 mm with built-in model T32.1S head-mounted transmitter, fitted into a design 3F fabricated thermowell
- ▶ Power supply is, for example, via a model IS Barrier isolated barrier (WIKA article number: 14117118)

T_{\max} is obtained by adding the temperature of the medium and the self-heating. The self-heating of the thermowell tip depends on the supplied power P_o of the transmitter and the thermal resistance R_{th} .

The following formula is used for the calculation: $T_{\max} = P_o * R_{th} + T_M$

T_{\max} = Surface temperature (max. temperature at the thermowell tip)

P_o = from transmitter data sheet

R_{th} = Thermal resistance [K/W]

T_M = Medium temperature

Example

Resistance thermometer RTD

Diameter: 6 mm

Medium temperature: $T_M = 150$ °C

Supplied power: $P_o = 15.2$ mW

Temperature class T3 (200 °C) must not be exceeded

Thermal resistance [R_{th} in K/W] from table = 37 K/W

Self-heating: $0.0152 \text{ W} * 37 \text{ K/W} = 0.56 \text{ K}$

$T_{\max} = T_M + \text{self-heating: } 150 \text{ °C} + 0.56 \text{ °C} = 150.56 \text{ °C}$

The result shows that in this case self-heating at the thermowell tip is negligible. As safety margin for type-examined instruments (for T6 to T3), an additional 5 °C must be subtracted from the 200 °C; hence 195 °C would be permissible. This means that in this case temperature class T3 is not exceeded.

Additional information:

Temperature class for T3 = 200 °C

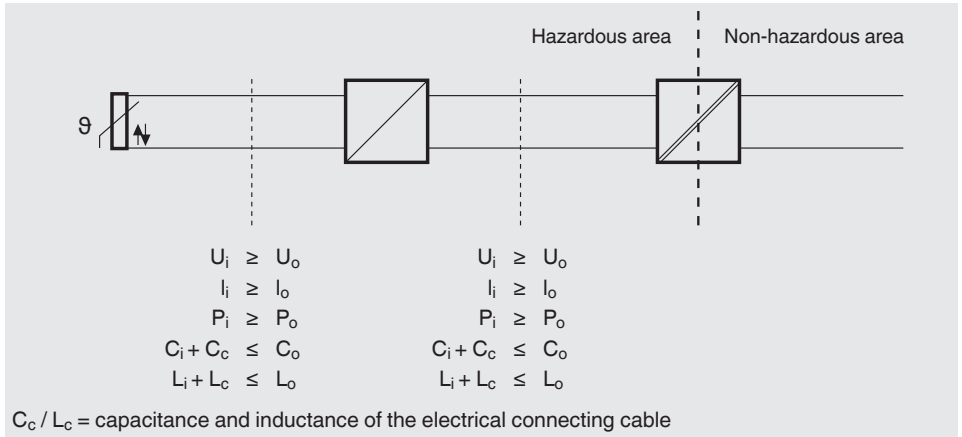
Safety margin for type-tested instruments (for T3 to T6)²⁾ = 5 K

Safety margin for type-tested instruments (for T1 to T2)²⁾ = 10 K

2) IEC/EN 60079-0: 2009 section 26.5.1

5. Calculation examples for self-heating at the sensor ...

Sensor with transmitter and barrier



Simplified verification of intrinsic safety for the above-mentioned combination

Measuring insert		Head-mounted transmitter		Isolated barrier
U_i : DC 30 V	\geq	U_o : DC 6.5 V	U_i : DC 30 V	\geq U_o : DC 25.2 V
I_i : 550 mA	\geq	I_o : 9.3 mA	I_i : 130 mA	\geq I_o : 93 mA
P_i (max) at the sensor = 1.5 W	\geq	P_o : 15.2 mW	P_i : 800 mW	\geq P_o : 587 mW
C_i : negligible	\leq	C_o : 24 μ F	C_i : 7.8 nF	\leq C_o : 107 nF
L_i : negligible	\leq	L_o : 365 mH	L_i : 100 μ H	\leq L_o : 2.0 mH

Upon comparing the values, it is obvious that it is permissible to connect these instruments to one another. However, the operator must also take into account the values for inductance and capacitance of the electrical connection leads.

5.2 Calculation for a sheathed element with RTD sensor

- Use at the partition to zone 0

Calculate the maximum possible temperature, T_{max} , at the sensor tip for the following combination:

- Resistance thermometer without thermowell (TR10-H) \varnothing 6 mm without transmitter, mounted by means of a compression fitting with stainless steel ferrule.
- The power supply is, for example, via a Zener barrier, for example model Z954 (WIKA article no. 3247938)

T_{max} is obtained by adding the temperature of the medium and the self-heating. The self-heating of the thermowell tip depends on the supplied power P_o of the Zener barrier and the thermal resistance R_{th} .

5. Calculation examples for self-heating at the sensor ...

The following formula is used for the calculation: $T_{\max} = P_o \cdot R_{th} + T_M$

T_{\max} = Surface temperature (max. temperature at the thermowell tip)

P_o = from transmitter data sheet

R_{th} = Thermal resistance [K/W]

T_M = Medium temperature

EN

Example

Resistance thermometer RTD

Diameter: 6 mm

Medium temperature: $T_M = 150 \text{ }^\circ\text{C}$

Supplied power: $P_o = 1,150 \text{ mW}$

Temperature class T3 (200 °C) must not be exceeded

Thermal resistance [R_{th} in K/W] from table = 75 K/W

Self-heating: $1.15 \text{ W} \cdot 75 \text{ K/W} = 86.25 \text{ K}$

$T_{\max} = T_M + \text{self-heating: } 150 \text{ }^\circ\text{C} + 86.25 \text{ }^\circ\text{C} = 236.25 \text{ }^\circ\text{C}$

The result shows, in this case, substantial self-heating at the sensor tip. As safety margin for type-examined instruments (for T3 to T6), an additional 5 °C must be subtracted from the 200 °C; hence 195 °C would be permissible. This means that in this case temperature class T3 is exceeded significantly and therefore not permissible. An additional thermowell or transmitter could be used as a remedy.

Additional information:

Temperature class for T3 = 200 °C

Safety margin for type-tested instruments (for T3 to T6) ¹⁾ = 5 K

Safety margin for type-tested instruments (for T1 to T2) ¹⁾ = 10 K

1) IEC/EN 60079-0: 2009 Ch. 26.5.1

5.3 Calculation for the above-mentioned RTD with thermowell

- ▶ RTD measuring insert Ø 6 mm without transmitter, built into a 3F design fabricated thermowell

Thermal resistance [R_{th} in K/W] from table = 37 K/W

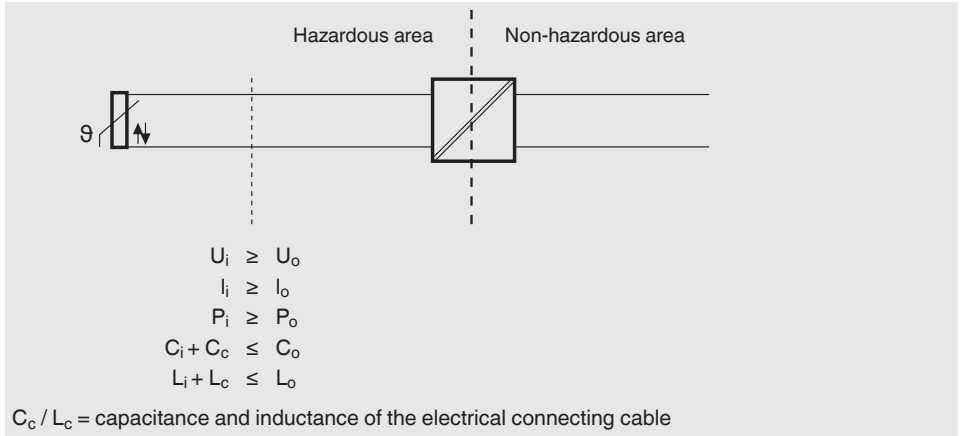
Self-heating: $1.15 \text{ W} \cdot 37 \text{ K/W} = 42.55 \text{ K}$

$T_{\max} = T_M + \text{self-heating: } 150 \text{ }^\circ\text{C} + 42.55 \text{ }^\circ\text{C} = 192.55 \text{ }^\circ\text{C}$

The result shows, in this case, substantial self-heating at the sensor tip. As safety margin for type-examined instruments (for T3 to T6), an additional 5 °C must be subtracted from the 200 °C; hence 195 °C would be permissible. This means that in this case temperature class T3 is not exceeded.

5. Calculation examples for self-heating at the sensor ...

Sensor without transmitter, with barrier



Simplified verification of intrinsic safety for the above-mentioned combination

Measuring insert		Zener barrier Z954	
U_i : DC 30 V	\geq	U_o : DC 9 V	U_m : AC 250 V
I_i : 550 mA	\geq	I_o : 510 mA	I_i : n/a
P_i (max) at the sensor = 1.5 W	\geq	P_o : 1,150 mW	P_i : n/a
C_i : negligible	\leq	C_o : 4.9 μ F	C_i : n/a
L_i : negligible	\leq	L_o : 0.12 mH	L_i : n/a

n/a = not applicable

Upon comparing the values, it is obvious that it is permissible to connect these instruments to one another. However, the operator must also take into account the values for inductance and capacitance of the electrical connection leads.

These calculations apply to the Z954 Zener barrier in connection with a resistance thermometer Pt100 in 3-channel mode without grounding, i.e., symmetrical operation of the resistance thermometer in 3-wire circuit on a display or evaluation instrument.

EN

EU-Konformitätserklärung EU Declaration of Conformity



Dokument Nr.: 11570700.11
Document No.:

Wir erklären in alleiniger Verantwortung, dass die mit CE gekennzeichneten Produkte
We declare under our sole responsibility that the CE marked products

Typenbezeichnung: TR...⁽¹⁾
Model Designation: TC...⁽¹⁾

Beschreibung: Widerstandsthermometer, Thermoelemente
Description: Resistance Thermometers, Thermocouples

gemäß gültigem Datenblatt: Siehe Anhang
according to the valid data sheet: Refer to annex

mit den nachfolgenden relevanten Harmonisierungsvorschriften der Union
are in conformity with the following relevant Union harmonisation legislation Angewandte harmonisierte Normen
Applied harmonised standards

2011/65/EU	Gefährliche Stoffe (RoHS) <i>Hazardous substances (RoHS)</i>	EN IEC 63000:2018
2014/68/EU	Druckgeräterichtlinie (DGRL) ⁽²⁾ <i>Pressure Equipment Directive (PED)</i> ⁽²⁾	
2014/30/EU	Elektromagnetische Verträglichkeit (EMV) ⁽³⁾ <i>Electromagnetic Compatibility (EMC)</i> ⁽³⁾	EN 61326-1:2013 ⁽³⁾ EN 61326-2-3:2013 ⁽³⁾
2014/34/EU	Explosionsschutz (ATEX) ⁽¹⁾ <i>Explosion protection (ATEX)</i> ⁽¹⁾	

- (1) Detaillierte Angaben siehe Anhang
Detailed information refer to Annex
- (2) TC90-C, TR25, mit DN >25: Modul H, Umfassende Qualitätssicherung, Zertifikat DGR-0036-QS-1036 in der jeweils aktuell gültigen Ausgabe von TÜV SÜD Industrieservice GmbH, D-80686 München (Reg.-Nr. 0036).
TC90-C, TR25, with DN >25: Module H, full quality assurance, certificate DGR-0036-QS-1036 in the currently valid edition, of TÜV SÜD Industrieservice GmbH, D-80686 München (Reg. no. 0036).
- (3) Gilt nur mit eingebautem WIKAI Transmitter. Werden Transmitter von anderen Herstellern verwendet, können diese anderen Normen entsprechen. Es sind dann die mitgelieferten Anleitungen und EU-Konformitätserklärungen dieser Transmitter zu beachten.
Applies only to built-in WIKAI transmitter. When using transmitters of other manufacturers, other standards may apply. The instructions and EU Declarations of Conformity supplied with these transmitters must then be observed

Unterzeichnet für und im Namen von / *Signed for and on behalf of*
WIKAI Alexander Wiegand SE & Co. KG
Klingenberg, 2021-07-29


Stefan Heidinger, Vice President
Electrical Temperature Measurement


Roland Stapf, Head of Quality Management
Process Instrumentation Corporate Quality

WIKAI Alexander Wiegand SE & Co. KG
Alexander-Wiegand-Straße 30
63911 Klingenberg
Germany
WEEE-Reg.-Nr. DE 92770372

Tel +49 9372 132-0
Fax +49 9372 132-406
E-Mail info@wika.de
www.wika.de

Kommanditgesellschaft: Sitz Klingenberg –
Amtsgericht Aschaffenburg HRA 1819

Komplementärin:
WIKAI International SE – Sitz Klingenberg –
Amtsgericht Aschaffenburg HRB 10505
Vorstand: Alexander Wiegand
Vorsitzender des Aufsichtsrats: Prof. Dr. Roderich C. Thümmel

14:150916.08 11/2021 EN/DE/FR/ES

EU-Konformitätserklärung EU Declaration of Conformity



11570700.11, Anhang 01 Typcodestruktur / Annex 01 Model Code Structure

X - XXX
a bcd

Beispiel /Example

TR10-C - AIB

„a“ **Typenbezeichnung:** siehe Anhang 02 / **Model Designation:** Refer to Annex 02

„b“ **Zulassung / Approval**

A = ATEX

I = IECEX und / and ATEX

Z = Nicht Ex / Non Ex

Alle anderen Buchstaben des Alphabets und die Ziffern 0 bis 9, ausgenommen die Buchstaben N und Z, sind reservierte Zeichen für andere Zulassungen zusätzlich zu ATEX und IECEX.

All other letters of alphabet and numbers 0 till 9 excluded the letters N and Z are reserved characters for other approvals additional to ATEX and IECEX

„c“ **Zündschutzart / Type of Protection**

E = Ex e

N = Ex nA

I = Ex i

Ex t nur in Verbindung mit anderen Zündschutzarten wie Ex e oder Ex nA

Ex t only in combination with other type of ignition protection like Ex e or Ex nA

„d“ **Zonen (EPL) / Zones (EPL)**

Gaszonen / Gas zones

A = Zone 0 (EPL Ga)

B = Zone 0/1 (EPL Ga/Gb)

C = Zone 1 (EPL Gb)

D = Zone 2 (EPL Gc)

Staubzonen / Dust zones

E = Zone 20 (EPL Da)

F = Zone 20/21 (EPL Da/Db)

G = Zone 21 (EPL Db) + Zone 1 (EPL Gb)

H = Zone 22 (EPL Dc) + Zone 2 (EPL Gc)

Mögliche Kennzeichnung bei Auswahl „I“ bei Zündschutzart
Possible marking when „I“ is selected for type of protection

II 1G Ex ia IIC T1, T2, T3, T4, T5, T6 Ga
II 1/2G Ex ia IIC T1, T2, T3, T4, T5, T6 Ga/Gb
II 2G Ex ia IIC T1, T2, T3, T4, T5, T6 Gb
II 2G Ex ib IIC T1, T2, T3, T4, T5, T6 Gb
II 1D Ex ia IIIC T65°C, T95°C, T125°C Da
II 1/2D Ex ia IIIC T65°C, T95°C, T125°C Da/Db
II 2D Ex ia IIIC T65°C, T95°C, T125°C Db
II 2D Ex ib IIIC T65°C, T95°C, T125°C Db



Harmonisierte Normen
Harmonized standards

Zertifiziert nach / Certified to:
EN 60079-0:2012 +A11:2013

EN 60079-11:2012

(4) EN 60079-26:2015

Enspricht auch / Also complies with:

EN IEC 60079-0:2018

EN IEC 60079-0:2018

(6) EN 60079-11:2012

Mögliche Kennzeichnung bei Auswahl „N“ oder „E“ bei Zündschutzart
Possible marking when „N“ or „E“ is selected for type of protection

II 2G Ex eb IIC T6 ... T1 Gb oder/or II 2G Ex eb IIC+CH4 T6 ... T1 Gb
II 2G Ex eb IIC T6 ... T1 Gb + II 2D Ex tb IIIC TX °C Db



EN IEC 60079-0:2018

(5) EN 60079-7:2015

EN 60079-31:2014

II 3G Ex nA IIC T6 ... T1 Gc X oder/or II 3G Ex nA IIC+CH4 T6 ... T1 Gc X

II 3G Ex nA IIC T6 ... T1 Gc X + II 3D Ex tc IIIC TX °C Dc X

II 3G Ex ec IIC T6 ... T1 Gc X oder/or II 3G Ex ec IIC+CH4 T6 ... T1 Gc X

II 3G Ex ec IIC T6 ... T1 Gc X + II 3D Ex tc IIIC TX °C Dc X



EN IEC 60079-0:2018

(6) EN 60079-15:2010

EN 60079-7:2015

EN 60079-31:2014

(4) EG-Baumusterprüfbescheinigung TÜV 10 ATEX 555793 X von TÜV NORD CERT GmbH (Reg.-Nr. 0044).

EC type-examination certificate TÜV 10 ATEX 555793 X of TÜV NORD CERT GmbH (Reg. no. 0044).

(5) EU-Baumusterprüfbescheinigung TÜV 18 ATEX 211392 X von TÜV NORD CERT GmbH (Reg.-Nr. 0044)

EU type-examination certificate TÜV 18 ATEX 211392 X of TÜV NORD CERT GmbH (Reg. no. 0044)

(6) Interne Fertigungskontrolle / Internal control of production

WIKAL Alexander Wiegand SE & Co. KG
Alexander-Wiegand-Straße 30
63911 Klingenberg
Germany
WEEE-Reg.-Nr. DE 92770372

Tel. +49 9372 132-0
Fax +49 9372 132-406
E-Mail info@wika.de
www.wika.de

Kommanditgesellschaft: Sitz Klingenberg –
Amtsgericht Aschaffenburg HRA 1819

Komplementärin:
WIKAL International SE - Sitz Klingenberg -
Amtsgericht Aschaffenburg HRB 10505
Vorstand: Alexander Wiegand
Vorsitzender des Aufsichtsrats: Prof. Dr. Roderich C. Thümmel

EU-Konformitätserklärung EU Declaration of Conformity



EN

11570700.11, Anhang 02 / Annex 02 – Typen / Models

Datenblatt Data sheet	"a" Typenbezeichnung "a" Model Designation	Datenblatt Data sheet	"a" Typenbezeichnung "a" Model Designation
TE 61.01	TR10-0	TE 66.01	TC10-0
BR TR.10	TR10-1	BR TC10	TC10-1
TR.102	TR10-2	TC.102	TC10-2
TE 60.01	TR10-A	TE 65.01	TC10-A
TE 60.02	TR10-B	TE 65.02	TC10-B
TE 60.03	TR10-C	TE 65.03	TC10-C
TE 60.04	TR10-D	TE 65.04	TC10-D
TE 60.06	TR10-F	TE 65.06	TC10-F
TE 60.08	TR10-H	TE 65.08	TC10-H
TE 60.10	TR10-J	-	-
TE 60.11	TR10-K	TE 65.11	TC10-K
TE 60.13	TR11-A	-	-
TE 60.14	TR11-C	-	-
TE 60.20	TR20	-	-
TE 60.22	TR22-A	-	-
TE 60.23	TR22-B	-	-
TE 60.25	TR25	-	-
TE 60.40	TR40	TE 65.40	TC40
TE 60.41	TR41	-	-
TE 60.50	TR50	TE 65.50	TC50
TE 60.53	TR53	TE 65.53	TC53
TE 60.55	TR55	TE 65.55	TC55
-	-	TE 65.58	TC59-W
-	-	TE 65.59	TC59-V
TR 60.60	TR60	-	-
TE 60.81	TR81	TE 65.81	TC81
-	-	TE 65.90	TC90
TE 70.01	TR95	TE 70.01	TC95
		TE 65.80	TC80
		SP 05.24	TC80-H

WIKA Alexander Wiegand SE & Co. KG
Alexander-Wiegand-Straße 30
63911 Klingenberg
Germany
WEEE-Reg.-Nr. DE 92770372

Tel. +49 9372 132-0
Fax +49 9372 132-406
E-Mail info@wika.de
www.wika.de

Kommanditgesellschaft: Sitz Klingenberg –
Amtsgericht Aschaffenburg HRA 1819

Komplementärin:
WIKA International SE - Sitz Klingenberg -
Amtsgericht Aschaffenburg HRB 10505
Vorstand: Alexander Wiegand
Vorsitzender des Aufsichtsrats: Prof. Dr. Roderich C. Thümmel

14:150916.08 11/2021 EN/DE/FR/ES

Appendix 2: EPL matrix

EPL matrix

Model	TUV 10 ATEX 555793 X IECEX TUN 10.002X							TÜV 18 ATEX 211392 X IECEX TUN 18.0012X				
	Ex ia, Ex ib, Ex ic							Ex eb, Ex ec, Ex tb, Ex tc, Ex nA				
	EPL											
	Ga	Da	Ga/ Gb	Da/ Db	Gb	Db	Gc	Gb	Db	Gc	Dc	
Tx10-0	✓	-	✓	-	✓	-	✓	✓	✓	✓	✓	
Tx10-1	✓	-	-	-	✓	-	✓	✓	-	✓	-	
Tx10-2	✓	✓	✓	✓	✓	✓	✓	✓	✓	✓	✓	
Tx10-A	✓	-	-	-	✓	-	✓	✓	-	✓	-	
Tx10-B	✓	✓	✓	✓	✓	✓	✓	✓	✓	✓	✓	
Tx10-C	✓	✓	✓	✓	✓	✓	✓	✓	✓	✓	✓	
Tx10-D	✓	✓	-	-	✓	✓	✓	-	-	-	-	
Tx10-F	✓	✓	✓	✓	✓	✓	✓	✓	✓	✓	✓	
Tx10-H	✓	✓	-	-	✓	✓	✓	✓	✓	✓	✓	
Tx10-J	-	-	-	-	✓	-	✓	-	-	-	-	
Tx10-K	✓	-	-	-	✓	-	✓	✓	-	✓	-	
TR11-A	✓	-	-	-	✓	-	✓	✓	-	✓	-	
TR11-C	✓	✓	✓	✓	✓	✓	✓	✓	✓	✓	✓	
TR20	✓	✓	-	-	✓	✓	✓	✓	✓	✓	✓	
TR22-A	✓	✓	-	-	✓	✓	✓	✓	✓	✓	✓	
TR22-B	✓	✓	-	-	✓	✓	✓	✓	✓	✓	✓	
Tx40	✓	✓	✓	✓	✓	✓	✓	✓	✓	✓	✓	
Tx41	✓	✓	✓	✓	✓	✓	✓	✓	✓	✓	✓	
Tx50	✓	✓	-	-	✓	✓	✓	✓	✓	✓	✓	
Tx53	✓	✓	-	-	✓	✓	✓	✓	✓	✓	✓	
Tx55	✓	✓	-	-	✓	✓	✓	✓	✓	✓	✓	
TR60	-	-	-	-	✓	✓	✓	✓	✓	✓	✓	
Tx81	✓	✓	✓	✓	✓	✓	✓	✓	✓	✓	✓	
TC90	✓	✓	-	-	✓	✓	✓	✓	✓	✓	✓	
Tx95	✓	✓	✓	✓	✓	✓	✓	✓	✓	✓	✓	

EN

14150916.08 11/2021 EN/DE/FR/ES

Excerpt from “CA-HLP TRxx,TCxx EPL Matrix” (14317278.05, 2021-07-27)



EN

Inhalt

1. Ex-Kennzeichnung	28
2. Sicherheit	30
3. Inbetriebnahme, Betrieb	31
4. Besondere Bedingungen für die sichere Verwendung (X-Conditions)	39
5. Berechnungsbeispiele für die Eigenerwärmung an der Fühler-/Schutzrohrspitze	41
Anlage 1: EU-Konformitätserklärung	22
Anlage 2: EPL-Matrix	25

Konformitätserklärungen finden Sie online unter www.wika.de.

1. Ex-Kennzeichnung

Ergänzende Dokumentation:

- ▶ Diese Zusatzinformation für explosionsgefährdete Bereiche gilt im Zusammenhang mit der Betriebsanleitung „Widerstandsthermometer und Thermoelemente, Typen TRxx und TCxx“ (Artikelnummer 14150915).

Betroffene Typen:

- ▶ Diese Zusatzinformation ist für eine Vielzahl von Produkten gültig. Eine genaue Auflistung dieser Typen siehe „Anlage: EU-Konformitätserklärung“ (Seite 24).

DE

1. Ex-Kennzeichnung



GEFAHR!

Lebensgefahr durch Verlust des Explosionsschutzes

Die Nichtbeachtung dieser Inhalte und Anweisungen kann zum Verlust des Explosionsschutzes führen.

- ▶ Sicherheitshinweise in diesem Kapitel sowie weitere Explosionshinweise in dieser Betriebsanleitung beachten.
- ▶ Die Anforderungen der ATEX-Richtlinie beachten.
- ▶ Die Angaben der geltenden Baumusterprüfbescheinigung sowie die jeweiligen Vorschriften zur Installation und Einsatz in explosionsgefährdeten Bereichen (z. B. IEC 60079-11, IEC 60079-10 und IEC 60079-14) einhalten.

Überprüfen, ob die Klassifizierung für den Einsatzfall geeignet ist. Die jeweiligen nationalen Vorschriften und Bestimmungen beachten.

ATEX

IECEx

- | | |
|---------|--|
| II 1G | Ex ia IIC T1, T2 T3, T4, T5, T6 Ga |
| II 1/2G | Ex ia IIC T1, T2, T3, T4, T5, T6 Ga/Gb |
| II 2G | Ex ia IIC T1, T2, T3, T4, T5, T6 Gb |
| II 2G | Ex ib IIC T1, T2, T3, T4, T5, T6 Gb |
| II 1D | Ex ia IIIC T65 °C, T95 °C, T125 °C Da |
| II 1/2D | Ex ia IIIC T65 °C, T95 °C, T125 °C Da/Db |
| II 2D | Ex ia IIIC T65 °C, T95 °C, T125 °C Db |
| II 2D | Ex ib IIIC T65 °C, T95 °C, T125 °C Db |

1. Ex-Kennzeichnung

Für Anwendungen ohne Transmitter (Digitalanzeigen), die Geräte der Gerätegruppe II (explosionsfähige Gasatmosphären) erfordern, gelten folgende Temperaturklasseneinteilung und Umgebungstemperaturbereiche:

Tabelle 1

Kennzeichnung		Temperaturklasse	Umgebungstemperaturbereich (T_a)	Max. Oberflächentemperatur (T_{max}) an der Fühler- oder Schutzrohrspitze
ATEX	IECEx			
II 1G	Ex ia IIC T1, T2 T3, T4, T5, T6 Ga	T1 ... T6	(-50) ¹⁾ -40 ... +80 °C	T_M (Mediumstemperatur) + Eigenerwärmung Hierzu sind die besonderen Bedingungen zu beachten (siehe Kapitel 4 „Besondere Bedingungen für die sichere Verwendung (X-Conditions)“).
II 1/2G	Ex ia IIC T1, T2, T3, T4, T5, T6 Ga/Gb			
II 2G	Ex ia IIC T1, T2, T3, T4, T5, T6 Gb			
II 2G	Ex ib IIC T1, T2, T3, T4, T5, T6 Gb			

DE

Für Anwendungen, die Geräte der Gerätegruppe II (explosionsfähige Staubatmosphären) erfordern, gelten folgende Oberflächentemperaturen und Umgebungstemperaturbereiche:

Tabelle 2

Kennzeichnung		Leistung P_i	Umgebungstemperaturbereich (T_a)	Max. Oberflächentemperatur (T_{max}) an der Fühler- oder Schutzrohrspitze
ATEX	IECEx			
II 1D	Ex ia IIIC T65 °C Da	750 mW	(-50) ¹⁾ -40 ... +40 °C	T_M (Mediumstemperatur) + Eigenerwärmung Hierzu sind die besonderen Bedingungen zu beachten (siehe Kapitel 4 „Besondere Bedingungen für die sichere Verwendung (X-Conditions)“).
II 1/2D	Ex ia IIIC T65 °C Da/Db			
II 2D	Ex ia IIIC T65 °C Db			
II 2D	Ex ib IIIC T65 °C Db			
II 1D	Ex ia IIIC T95 °C Da	650 mW	(-50) ¹⁾ -40 ... +70 °C	T_M (Mediumstemperatur) + Eigenerwärmung Hierzu sind die besonderen Bedingungen zu beachten (siehe Kapitel 4 „Besondere Bedingungen für die sichere Verwendung (X-Conditions)“).
II 1/2D	Ex ia IIIC T95 °C Da/Db			
II 2D	Ex ia IIIC T95 °C Db			
II 2D	Ex ib IIIC T95 °C Db			
II 1D	Ex ia IIIC T125 °C Da	550 mW	(-50) ¹⁾ -40 ... +80 °C	T_M (Mediumstemperatur) + Eigenerwärmung Hierzu sind die besonderen Bedingungen zu beachten (siehe Kapitel 4 „Besondere Bedingungen für die sichere Verwendung (X-Conditions)“).
II 1/2D	Ex ia IIIC T125 °C Da/Db			
II 2D	Ex ia IIIC T125 °C Db			
II 2D	Ex ib IIIC T125 °C Db			

Beim Einbau eines Transmitters und/oder einer Digitalanzeige gelten die besonderen Bedingungen aus der Baumusterprüfbescheinigung (siehe Kapitel 4 „Besondere Bedingungen für die sichere Verwendung (X-Conditions)“).

1) Die Werte in Klammern gelten für Sonderausführungen. Diese Fühler werden mit besonderen Vergussmassen gefertigt. Weiterhin werden sie mit Gehäusen aus CrNi-Stahl und mit Kabelverschraubungen für den Tieftemperaturbereich ausgestattet.

1. Ex-Kennzeichnung / 2. Sicherheit

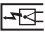
1.1 Geräteinsatz in unterschiedlichen Ex-Schutz-Zonen (EPL)

Für Anwendungen, die einen EPL Gb erfordern, können auch Geräte mit einem EPL Ga verwendet werden. Wurde ein Gerät mit EPL Ga in einer Anwendung verwendet, die EPL Gb erfordert, so darf das Gerät nicht wieder in Anwendungen verwendet werden die EPL Ga erfordern.

DE

Für Anwendungen, die einen EPL Gc erfordern, können auch Geräte mit einem EPL Ga oder Gb verwendet werden. Wurde ein Gerät mit EPL Ga oder Gb in einer Anwendung verwendet, die EPL Gc erfordert, so darf das Gerät nicht wieder in Anwendungen verwendet werden die EPL Ga oder Gb erfordern.

1.2 Fühler „quasi geerdet“

Versionen mit \varnothing 3 mm bei 2 x 4-Leiter, $\varnothing < 3$ mm oder „nicht isolierte“ Versionen entsprechen nicht Abschnitt 6.3.13, IEC/EN 60079-11 und werden als „quasi geerdet“  gekennzeichnet.

Besondere Bedingungen beachten (siehe Kapitel 4 „Besondere Bedingungen für die sichere Verwendung (X-Conditions)“, Punkt 1).

1.3 Verwendung in Methan-Atmosphären

Aufgrund des höheren Mindestzündstromes (MIC) von Methan können die Geräte auch in dadurch verursachte explosionsfähige Gasatmosphären eingesetzt werden.

2. Sicherheit

2.1 Symbolerklärung



GEFAHR!

... weist auf eine möglicherweise gefährliche Situation im explosionsgefährdeten Bereich hin, die zum Tod oder zu schweren Verletzungen führen kann, wenn sie nicht gemieden wird.

2.2 Bestimmungsgemäße Verwendung

Die hier beschriebenen Thermometer sind geeignet zur Temperaturmessung in explosionsgefährdeten Bereichen.

Das Nichtbeachten der Angaben für den Einsatz in explosionsgefährdeten Bereichen führt zum Verlust des Explosionsschutzes. Grenzwerte und technische Angaben einhalten (siehe Datenblatt).

Sensoren mit Stecker

Für Ausführungen mit Stecker, Ex i, Staub gilt: Position des Steckers nur außerhalb des explosionsgefährdeten Bereiches zulässig.

2.3 Verantwortung des Betreibers

Die Verantwortung über die Zoneneinteilung unterliegt dem Anlagenbetreiber und nicht dem Hersteller/Lieferanten der Betriebsmittel.

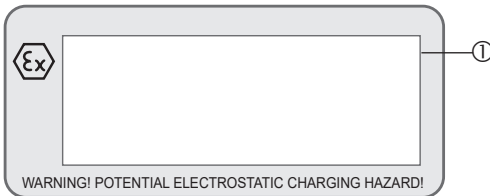
2.4 Personalqualifikation

Das Elektrofachpersonal muss Kenntnisse haben über Zündschutzarten, Vorschriften und Verordnungen für Betriebsmittel in explosionsgefährdeten Bereichen.

DE

2.5 Beschilderung, Sicherheitskennzeichnungen

Zusätzliches Typenschild (Beispiel)



① Zulassungsrelevante Daten

 ATEX/IECEx: Minimale zulässige Umgebungstemperatur -50 °C

Die Einsatzfähigkeit des Gerätes wird in diesem Falle durch ein Schneeflockensymbol gekennzeichnet.

3. Inbetriebnahme, Betrieb



GEFAHR!

Lebensgefahr durch Explosion

Durch die Verwendung eines Messeinsatzes ohne geeigneten Anschlusskopf (Gehäuse) besteht Explosionsgefahr, die zum Tod führen kann.

► Messeinsatz nur im dafür vorgesehenen Anschlusskopf betreiben.



GEFAHR!

Lebensgefahr bei fehlender Geräteerdung

Bei fehlender oder falscher Geräteerdung besteht die Gefahr von gefährlicher Spannung (hervorgerufen durch z. B. mechanische Beschädigung, elektrostatische Aufladung oder Induktion).

► Thermometer erden!

Besondere Bedingungen beachten (siehe Kapitel 4 „Besondere Bedingungen für die sichere Verwendung (X-Conditions)“, Punkt 2).

3.1 Mechanische Montage

3.1.1 Stufenelemente

Bei dieser Konstruktion werden mehrere, bei Bedarf auswechselbare Thermolemente oder Widerstandsthermometer zu einem Gesamtgerät kombiniert, um Messungen in verschiedenen Eintauchtiefen durchführen zu können. Die Stufenelemente sind in der Regel mit einem Gehäuse ausgestattet, in welchem Transmitter oder Reihenklemmen montiert sind.

Die Transmitter/Digitalanzeigen sind mit Schienensystem im Gehäuse oder Halterung im Anschlusskopf befestigt und gemäß IEC/EN 60079-11 und IEC/EN 60079-14 verdrahtet. Optional können die Gehäuse je nach Ausführung mit und ohne Anschlussklemmen (z. B. Reihenklemmen, Anschlusssockel etc.) nach IEC/EN 60079-11 und IEC/EN 60079-14 ausgestattet sein.

Bei Verwendung von mehreren Transmittern/Digitalanzeigen wird ein größeres Gehäuse eingesetzt, um der verstärkten Eigenerwärmung Rechnung zu tragen. Dadurch ist gewährleistet, dass es keine signifikante Erhöhung der Gehäuseoberflächentemperatur entsteht.

3.1.2 Kabelfühler

Bei der Verwendung von Kabelfühler in Verbindung mit einem zusätzlichen Gehäuse (mit Reihenklemmen oder Transmitter) müssen die verwendeten Komponenten dem Explosionsschutz des Kabelfühlers entsprechen.

Besondere Bedingungen beachten (siehe Kapitel 4 „Besondere Bedingungen für die sichere Verwendung (X-Conditions)“, Punkt 7).

3.2 Elektrische Montage

Einsatz eines Transmitters/Digitalanzeige (Option):

Den Inhalt der zum Transmitter/Digitalanzeige gehörenden Betriebsanleitung (siehe Lieferumfang) beachten.

Eingebaute Transmitter/Digitalanzeigen haben eigene Zertifikate. Bei Geräten mit eingebautem Transmitter oder Digitalanzeige gelten die in deren Zertifikate angegebenen zulässigen Umgebungstemperaturbereiche auch für das Gesamtgerät.

Besondere Bedingungen beachten (siehe Kapitel 4 „Besondere Bedingungen für die sichere Verwendung (X-Conditions)“, Punkt 3).

3. Inbetriebnahme, Betrieb

3.2.1 Elektrische Anschlusswerte

■ Elektrische Daten ohne eingebauten Transmitter oder Digitalanzeige

Kenngrößen	Gerätegruppe II	
	Explosionsfähige Gasatmosphäre ¹⁾	Explosionsfähige Staubatmosphäre
Spannung U_i	DC 30 V	DC 30 V
Stromstärke I_i	550 mA	250 mA ²⁾
Leistung P_i (am Sensor)	1,5 W ³⁾	Werte siehe „Tabelle 2“ (Spalte 2), Kapitel 1 „Ex-Kennzeichnung“ ⁴⁾
Innere wirksame Kapazität C_i von Standardmesseinsätzen nach DIN 43735	Vernachlässigbar ⁵⁾	Vernachlässigbar ⁵⁾
Innere wirksame Induktivität L_i von Standardmesseinsätzen nach DIN 43735	Vernachlässigbar ⁵⁾	Vernachlässigbar ⁵⁾

DE

- 1) Verwendung in Methan-Atmosphären
Aufgrund der höheren Mindestzündenergie von Methan können die Geräte auch in dadurch verursachte explosionsfähige Gasatmosphären eingesetzt werden.
- 2) Stromstärke gemäß IEC 60079-11 Tabelle 4
- 3) Die zulässige Leistung zum Sensor ist abhängig von der Mediumtemperatur T_M , der Temperaturklasse und des Wärmewiderstandes R_{th} , höchstens jedoch 1,5 W.
Berechnungsbeispiele siehe Kapitel 5 „Berechnungsbeispiele für die Eigenerwärmung an der Fühler-/Schutzrohrspitze“.
- 4) Die zulässige Leistung zum Sensor ist abhängig von der Mediumtemperatur T_M , der maximal zulässigen Oberflächentemperatur und des Wärmewiderstandes R_{th} , höchstens jedoch die Werte aus „Tabelle 2“ (Spalte 2), Kapitel 1 „Ex-Kennzeichnung“.
- 5) Die innere Induktivität ($L_i = 1 \mu\text{H/m}$) und Kapazität ($C_i = 200 \text{ pF/m}$) von Kabelfühlern sind beim Anschluss an eine eigensichere Spannungsversorgung zu berücksichtigen.

■ Elektrische Daten mit eingebautem Transmitter oder Digitalanzeige

- U_i = abhängig vom Transmitter/Digitalanzeige
- I_i = abhängig vom Transmitter/Digitalanzeige
- P_i = im Gehäuse: abhängig vom Transmitter/Digitalanzeige
- C_i = abhängig vom Transmitter/Digitalanzeige
- L_i = abhängig vom Transmitter/Digitalanzeige

■ Elektrische Daten mit eingebautem Transmitter nach dem FISCO-Modell

Die eingesetzten Transmitter/Digitalanzeigen für den Einsatzbereich entsprechend dem FISCO-Modell gelten als FISCO-Feldgeräte. Es gelten die Anforderungen nach IEC/EN 60079-27 und die Anschlussbedingungen der Zulassungen gemäß FISCO.

■ Stufenelemente (Multipoints) TC95, TR95

Stufenelementeaufbau aus einzelnen Mantelelementen

Für das einzelne, isoliert aufgebaute Mantelelement gelten die unter 3.2.1 genannten Werte. Für Stufenelemente, die betriebsbedingt geerdet sind, gelten für die Summen aller Sensoren die oben genannten Werte. Für die Anwendungen im Staubbereich die Werte der „Tabelle 2“ (Spalte 2) unter Kapitel 1 „Ex-Kennzeichnung“ beachten.

DE

3.3 Temperaturklasseneinteilung, Umgebungstemperaturen

Die zulässigen Umgebungstemperaturen richten sich nach der Temperaturklasse, den eingesetzten Gehäusen und dem optional eingebauten Transmitter und/oder der Digitalanzeige.

Falls kein Transmitter oder keine Digitalanzeige im Gehäuse montiert ist, findet in diesem auch keine zusätzliche Erwärmung statt. Mit eingebautem Transmitter (optional mit Digitalanzeige) kann eine Erwärmung betriebsbedingt durch den Transmitter oder die Digitalanzeige stattfinden.

Für Anwendungen ohne Transmitter (Digitalanzeigen), die Geräte der Gerätegruppe II (explosionsfähige Gasatmosphären) erfordern, gelten folgende Temperaturklasseneinteilung und Umgebungstemperaturbereiche:

Temperaturklasse	Umgebungstemperaturbereich (T_a)
T1 ... T6	(-50) -40 ... +80 °C

Die zulässigen Umgebungstemperaturen und Oberflächentemperaturen von Fremdfabrikanen den jeweiligen Zulassungen und/oder Datenblättern entnehmen und beachten.

Für Anwendungen, die Geräte der Gerätegruppe II (explosionsfähige Staubatmosphären) erfordern, gelten folgende Umgebungstemperaturbereiche:

Leistung P_1	Umgebungstemperaturbereich (T_a)
750 mW	(-50) -40 ... +40 °C
650 mW	(-50) -40 ... +70 °C
550 mW	(-50) -40 ... +80 °C

Die Werte in Klammern gelten für Sonderausführungen. Diese Fühler werden mit besonderen Vergussmassen gefertigt. Weiterhin werden sie mit Anschlussköpfen aus CrNi-Stahl und mit Kabelverschraubungen für den Tieftemperaturbereich ausgestattet.

Diese Thermometer sind laut Zulassung geeignet für die Temperaturklassen T1 ... T6. Dies gilt für Geräte mit oder ohne eingebaute Transmitter und/oder Digitalanzeigen. Hierbei sicherstellen, dass die maximale Umgebungstemperatur für den sicheren Betrieb des Gerätes nicht überschritten wird.

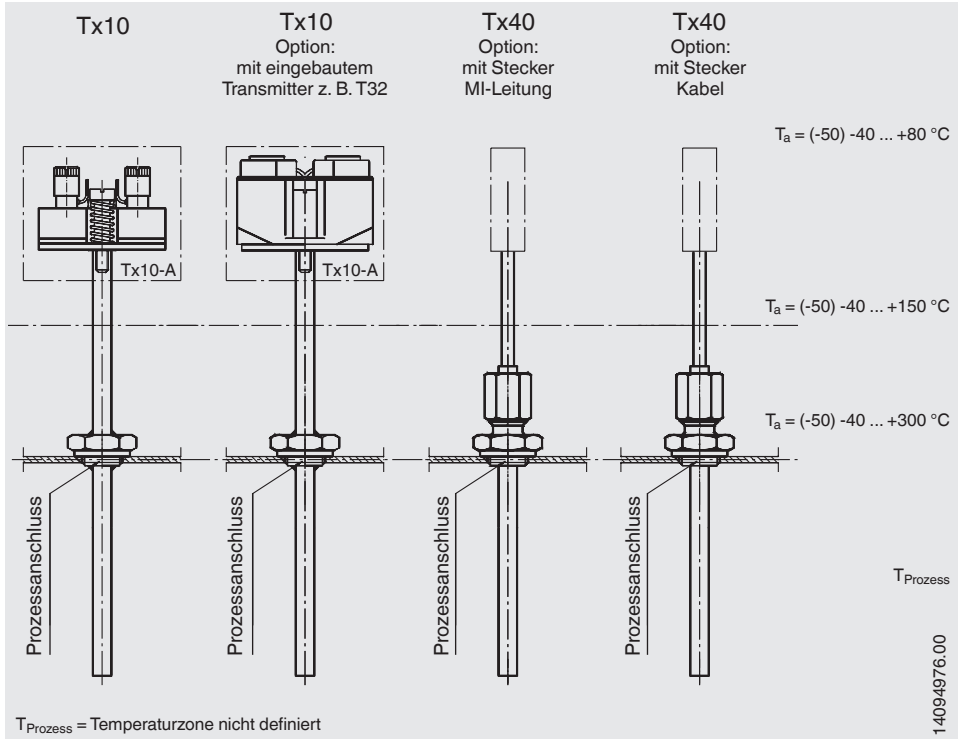
3. Inbetriebnahme, Betrieb

3.4 Temperaturverschleppung aus dem Prozess

Wärmerückfluss aus dem Prozess verhindern!

Besondere Bedingungen beachten (siehe Kapitel 4 „Besondere Bedingungen für die sichere Verwendung (X-Conditions)“, Punkt 4).

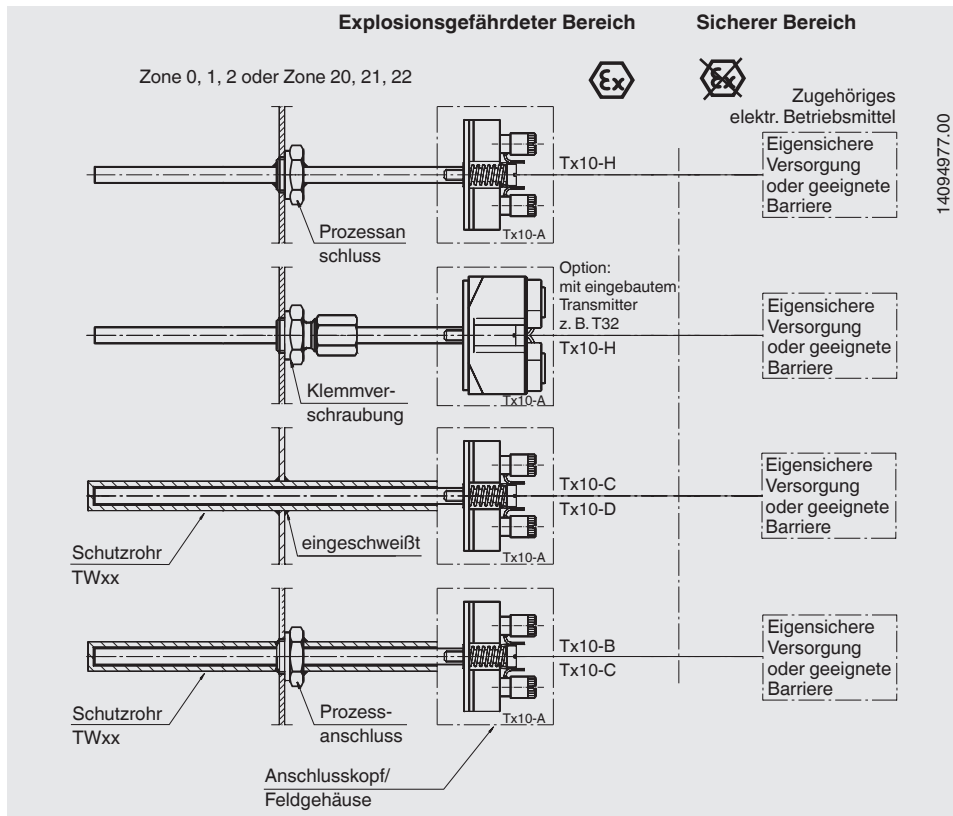
Übersicht der Temperaturzonen



DE

3.5 Montagebeispiele

3.5.1 Mögliche Einbaumethoden mit der Markierung II 1G Ex ia IIC T6 Ga bzw. II 1D Ex ia IIIC T65 °C Da



Der Fühler samt Gehäuse oder Anschlusskopf befindet sich in Zone 0 (Zone 20). Es ist ein Stromkreis vom Typ Ex ia zu verwenden. Anschlussköpfe/Gehäuse aus Aluminium sind in Zone 0 normalerweise nicht zulässig. WIKA empfiehlt an dieser Stelle Anschlussköpfe/Gehäuse aus CrNi-Stahl.

Schutzmaßnahmen für Anwendungen, die EPL Ga oder Da erfordern:

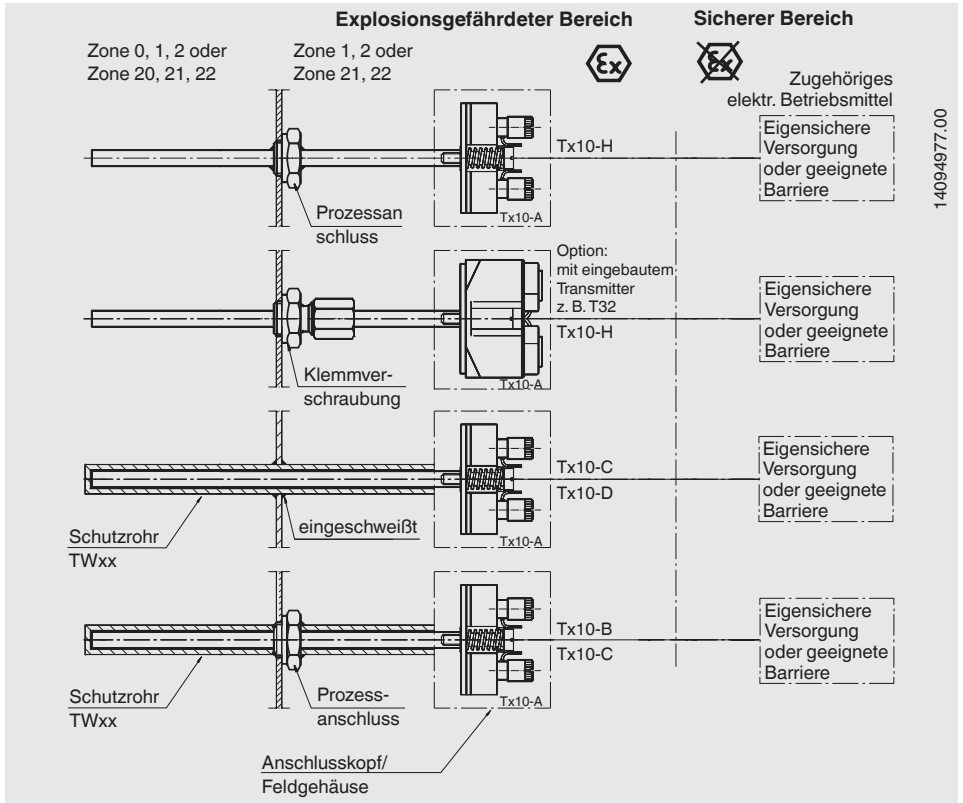
Für den Fall, dass Leichtmetallgehäuse in Zone 0 eingesetzt werden, gelten folgende Schutzmaßnahmen:

Betriebsbedingte Reibung oder Stöße zwischen Geräteteilen aus Leichtmetall oder deren Legierungen (z. B. Aluminium, Magnesium, Titanium oder Zirkonium) mit Geräteteilen aus Eisen/Stahl sind nicht zulässig. Betriebsbedingte Reibungen oder Stöße zwischen Leichtmetallen sind erlaubt.

Besondere Bedingungen beachten (siehe Kapitel 4 „Besondere Bedingungen für die sichere Verwendung (X-Conditions)“, Punkt 5 und 7).

3. Inbetriebnahme, Betrieb

3.5.2 Mögliche Einbaumethoden mit Markierung II 1/2 Ex ia IIC T1 ... T6 Ga/Gb bzw. II 1/2D Ex ia IIIC T65 ... T125 °C Da/Db



14094977.00

DE

Die Fühler- oder Schutzrohrspitze ragt in Zone 0 hinein. Das Gehäuse oder Anschlusskopf befindet sich in Zone 1 (Zone 21) oder Zone 2 (Zone 22). Es ist ausreichend, einen Stromkreis vom Typ Ex ib zu verwenden.

Eine Zonentrennung ist gewährleistet, wenn ausreichend dichte (IP66 oder IP67) Prozessanschlüsse verwendet werden.

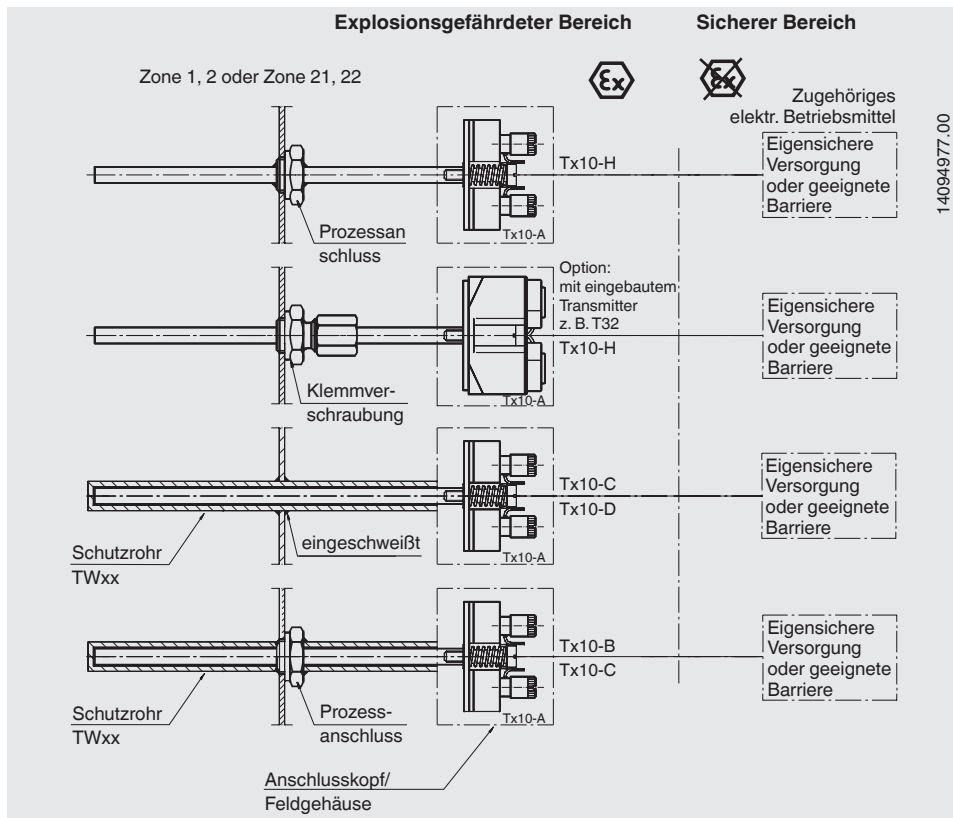
Geeignete Prozessanschlüsse sind beispielsweise gasdichte genormte Industrieflansche, Gewindeanschlüsse oder Rohranschlüsse.

Die benutzten Schweißteile, Prozessanschlüsse, Klemmverschraubungen, Schutzrohre oder Gehäuse müssen so ausgelegt sein, dass sie allen durch den Prozess entstehenden Einflüssen wie zum Beispiel Temperatur, Durchflusskräften, Druck, Korrosion, Schwingung und Stößen widerstehen.

14150916.08 11/2021 EN/DE/FR/ES

3. Inbetriebnahme, Betrieb

3.5.3 Mögliche Einbaumethoden mit der Markierung II 2G Ex ia IIC T1 ... T6 Gb bzw. II 2D Ex ia IIIC T65 ... T125 °C Db



3.5.4 Trennwände für Trennung zwischen Zone 0 und der weniger gefährlichen Zone bzw. Trennung zwischen Ex- und Nicht-Ex-Bereich

Die Wandstärke der Trennwand sollte mindestens 1 mm (nicht-rostender Stahl) betragen.

Sollte die Wandstärke < 1 mm sein, dann folgendes beachten:

Im Falle, dass eine mineralisierte Mantelleitung eine Trennwand darstellt, so beträgt die Mindestwandstärke 10 % des Außendurchmessers der mineralisierten Mantelleitung. Sollte eine Übergangshülse zwischen flexiblem Kabel und mineralisierter Mantelleitung ein Teil der Trennwand sein, so beträgt die Mindestwandstärke der Übergangshülse 0,4 mm.

Der Betreiber darf keine Umgebungsbedingung herstellen, die die Mindestwandstärke der Trennwand negativ beeinträchtigt. Dies ist insbesondere der Fall bei den Typen TR10-D, TC10-D, TR10-H, TC10-H, TR40, TC40, TR41, TR50, TC50, TR53 und TC53.

Besondere Bedingungen beachten (siehe Kapitel 4 „Besondere Bedingungen für die sichere Verwendung (X-Conditions)“, Punkt 5).

Alternativ kann vom Kunden ein Schutzrohr mit entsprechender Mindestwandstärke eingesetzt werden. Hierzu die besonderen Bedingungen beachten (siehe Kapitel 4 „Besondere Bedingungen für die sichere Verwendung (X-Conditions)“, Punkt 6).

4. Besondere Bedingungen für die sichere Verwendung (X-Conditions)

- 1) Versionen mit $\varnothing < 3$ mm oder „nicht isolierte“ Versionen entsprechen nicht Abschnitt 6.3.13, IEC/EN 60079-11. Dadurch sind diese eigensicheren Stromkreise aus sicherheitstechnischer Sicht als mit dem Erdpotential galvanisch verbunden anzusehen („quasi geerdet“ ) und es muss im gesamten Verlauf der Errichtung der eigensicheren Stromkreise Potentialausgleich bestehen. Außerdem sind für den Anschluss gesonderte Bedingungen nach IEC/EN 60079-14 zu beachten.
- 2) An Geräten, die aufgrund Ihrer Bauart nicht den elektrostatischen Anforderungen nach IEC/EN 60079-0 und IEC/EN 60079-26 entsprechen, müssen elektrostatische Aufladungen vermieden werden.
- 3) Eingesetzte Transmitter/Digitalanzeigen müssen eine eigene EG-Baumusterprüfbescheinigung entsprechend IEC/EN besitzen. Es sind die Installationsbedingungen, die elektrischen Anschlussgrößen, die Temperaturklassen bzw. maximalen Oberflächentemperaturen bei Geräten zur Verwendung in explosionsfähigen Staubatmosphären und zulässigen Umgebungstemperaturen den entsprechenden EG-Baumusterprüfbescheinigungen zu entnehmen und einzuhalten.
- 4) Ein Wärmerückfluss aus dem Prozess, welcher die zulässige Umgebungstemperatur des Transmitters, der Digitalanzeige oder des Gehäuses überschreitet, ist nicht zulässig und durch geeignete Wärmeisolierung oder ein entsprechend langes Halsrohr zu verhindern.
- 5) Falls die Wandstärke unter 1 mm liegt, dürfen die Geräte keinen Umgebungsbeanspruchungen ausgesetzt werden, die die Trennwand nachteilig beeinträchtigen können. Alternativ kann ein Schutzrohr mit entsprechender Mindestwandstärke eingesetzt werden.
- 6) Bei Verwendung eines Schutzrohres/Halsrohres muss das Gesamtgerät so konstruiert sein, dass ein Einbau in einer Art möglich ist, die zu einem genügend dichten Spalt (IP66 oder IP67) oder einem zünddurchschlagsicheren Spalt (IEC/EN 60079-1) hin zum weniger gefährdeten Bereich führt.
- 7) *Nicht relevant für dieses Gerät (siehe X-Conditions in EG-Baumusterprüfbescheinigung)*

- 8) Für die Verwendung von Gehäusen müssen diese entweder über eine entsprechende eigene EG-Baumusterprüfbescheinigung verfügen oder den minimalen Anforderungen entsprechen.
IP-Schutz: mindestens IP20 (mindestens IP6x für Staub), gilt für alle Gehäuse
Leichtmetallgehäuse müssen den entsprechenden Abschnitten der anwendbaren Normen entsprechen. Zusätzlich müssen nichtmetallische Gehäuse oder pulverbeschichtete Gehäuse den elektrostatischen Anforderungen der anwendbaren Normen entsprechen oder einen entsprechenden Warnhinweis besitzen.
- 9) Zugängliche Teile von nicht geerdeten Metallgehäusen und zugängliche Teile von Metallgehäusen, die geerdet sind, aber nicht Abschnitt 6.5 aus IEC/EN 60079-11 entsprechen, müssen Abschnitt 7.5 aus IEC/EN 60079-0 entsprechen oder mit einem entsprechenden Warnhinweis versehen sein.
- 10) Wenn es nicht möglich ist den Umgebungstemperaturbereich in der Kennzeichnung des Gerätes anzugeben, weil es sich bei dem Gerät um ein kleines Gerät gemäß Abschnitt 29.10 aus IEC/EN 60079-0 handelt, so ist der Umgebungstemperaturbereich in der mit dem Gerät gelieferten Betriebsanleitung anzugeben. Wenn es sich bei dem Gerät nicht um ein kleines Gerät gemäß Abschnitt 29.10 aus IEC/EN 60079-0 handelt, so muss die Kennzeichnung des Gerätes zusätzlich ein Hinweis auf die mitgelieferte Betriebsanleitung enthalten.

Schutzmaßnahmen für Anwendungen, die EPL Ga oder Da erfordern:

Betriebsbedingte Reibung oder Stöße zwischen Geräteteilen aus Leichtmetall oder deren Legierungen (z. B. Aluminium, Magnesium, Titanium oder Zirkonium) mit Geräteteilen aus Eisen/Stahl sind nicht zulässig. Betriebsbedingte Reibungen oder Stöße zwischen Leichtmetallen sind erlaubt.

5. Berechnungsbeispiele für die Eigenerwärmung an der Fühler-/Schutzrohrspitze

Die Eigenerwärmung an der Fühler- bzw. Schutzrohrspitze hängt ab vom Sensortyp (Widerstandsthermometer/Thermoelement), dem Fühlerdurchmesser, der Bauart des Schutzrohres und der im Fehlerfall zugeführten Leistung. Die nachstehende Tabelle zeigt die möglichen Kombinationen. Aus der Tabelle ist ersichtlich, dass Thermoelemente eine deutlich geringere Eigenerwärmung erzeugen als Widerstandsthermometer.

DE

Wärmewiderstand [R_{th} in K/W]

Sensortyp	Widerstandsthermometer (RTD)				Thermoelement (TC)			
	2,0 ... < 3,0	3,0 ... < 6,0	6,0 ... 8,0	3,0 ... 6,0 ¹⁾	0,5 ... < 1,5	1,5 ... < 3,0	3,0 ... < 6,0	6,0 ... 12,0
Ohne Schutzrohr	245	110	75	225	105	60	20	5
Mit Schutzrohr - mehrteilig (gerade und verjüngt), z. B. TW22, TW35, TW40, TW45 usw.	135	60	37	-	-	-	11	2,5
Mit Schutzrohr - Vollmaterial (gerade und verjüngt), z. B. TW10, TW15, TW20, TW25, TW30, TW50, TW55, TW60 usw.	50	22	16	-	-	-	4	1
Sonderschutzrohr nach EN 14597	-	-	33	-	-	-	-	2,5
Tx55 (Halterrohr)	-	110	75	225	-	-	20	5
Eingebaut in ein Sackloch (Mindestwandstärke 5 mm)	50	22	16	45	22	13	4	1

1) oberflächenempfindlich

Bei der Verwendung von Mehrfachsensoren und zeitgleichem Betrieb darf die Summe der Einzelleistungen den Wert der maximal zulässigen Leistung nicht überschreiten. Die höchstzulässige Leistung muss auf max. 1,5 W begrenzt werden. Dies muss durch den Betreiber der Anlage gewährleistet sein.

5.1 Berechnung für Messstelle RTD mit Schutzrohr

- ▶ Einsatz an der Trennwand zur Zone 0

Gesucht wird die maximal mögliche Temperatur T_{\max} an der Schutzrohrspitze für nachfolgende Kombination:

- ▶ RTD-Messeinsatz \varnothing 6 mm mit eingebautem Kopftransmitter Typ T32.1S, eingebaut in ein mehrteiliges Schutzrohr Bauform 3F
- ▶ Die Speisung erfolgt beispielsweise über eine Trennbarriere Typ IS Barrier (WIKA-Artikelnummer: 14117118)

T_{\max} ergibt sich aus der Addition der Mediumstemperatur sowie der Eigenerwärmung. Die Eigenerwärmung der Schutzrohrspitze hängt ab von der zugeführten Leistung P_o des Transmitters und dem Wärmewiderstand R_{th} .

Die Berechnung erfolgt nach folgender Formel: $T_{\max} = P_o \cdot R_{th} + T_M$

T_{\max} = Oberflächentemperatur (max. Temperatur an der Schutzrohrspitze)

P_o = aus dem Datenblatt des Transmitters

R_{th} = Wärmewiderstand [K/W]

T_M = Mediumstemperatur

Beispiel

Widerstandsthermometer RTD

Durchmesser: 6 mm

Mediumstemperatur: $T_M = 150 \text{ }^\circ\text{C}$

Zugeführte Leistung: $P_o = 15,2 \text{ mW}$

Temperaturklasse T3 (200 $^\circ\text{C}$) darf nicht überschritten werden

Wärmewiderstand [R_{th} in K/W] aus Tabelle = 37 K/W

Eigenerwärmung: $0,0152 \text{ W} \cdot 37 \text{ K/W} = 0,56 \text{ K}$

$T_{\max} = T_M + \text{Eigenerwärmung} = 150 \text{ }^\circ\text{C} + 0,56 \text{ }^\circ\text{C} = 150,56 \text{ }^\circ\text{C}$

Das Ergebnis zeigt dass in diesem Fall die Eigenerwärmung an der Schutzrohrspitze vernachlässigbar klein ist. Als Sicherheitsabstand für baumustergeprüfte Geräte (für T6 bis T3) müssen von den 200 $^\circ\text{C}$ noch 5 $^\circ\text{C}$ subtrahiert werden, es wären 195 $^\circ\text{C}$ zulässig. Somit wird in diesem Fall die Temperaturklasse T3 nicht überschritten.

Zusatzinformation:

Temperaturklasse für T3 = 200 $^\circ\text{C}$

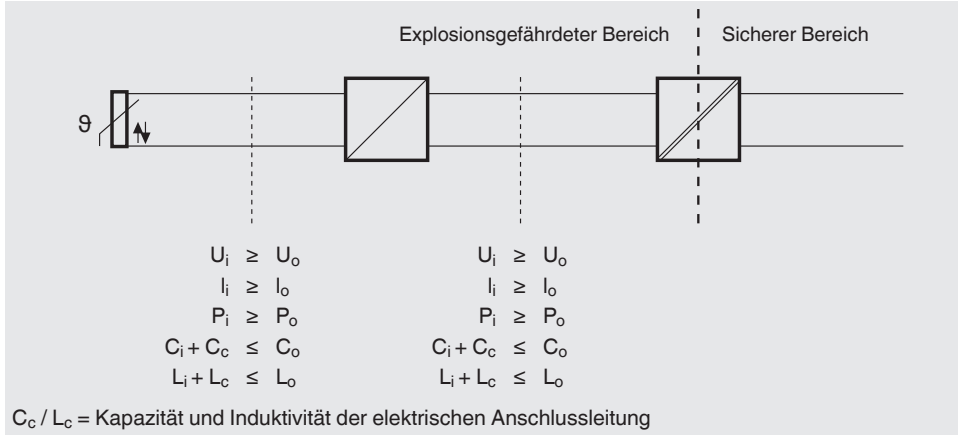
Sicherheitsabstand für baumustergeprüfte Geräte (für T3 bis T6)²⁾ = 5 K

Sicherheitsabstand für baumustergeprüfte Geräte (für T1 bis T2)²⁾ = 10 K

2) IEC/EN 60079-0: 2009 Abs. 26.5.1

5. Berechnungsbeispiele für die Eigenerwärmung an der ...

Sensor mit Transmitter und Barriere



DE

Vereinfachter Nachweis der Eigensicherheit für oben genannte Kombination

Messeinsatz		Kopftransmitter		Trennbarriere	
U_i : DC 30 V	≥	U_o : DC 6,5 V	U_i : DC 30 V	≥	U_o : DC 25,2 V
I_i : 550 mA	≥	I_o : 9,3 mA	I_i : 130 mA	≥	I_o : 93 mA
P_i (max) am Sensor: 1,5 W	≥	P_o : 15,2 mW	P_i : 800 mW	≥	P_o : 587 mW
C_i : vernachlässigbar	≤	C_o : 24 μF	C_i : 7,8 nF	≤	C_o : 107 nF
L_i : vernachlässigbar	≤	L_o : 365 mH	L_i : 100 μH	≤	L_o : 2,0 mH

Durch den Vergleich der Werte ist ersichtlich dass die Zusammenschaltung dieser Geräte zulässig ist. Allerdings müssen durch den Betreiber die Werte für die Induktivität und der Kapazität der elektrischen Anschlussleitungen noch berücksichtigt werden.

5.2 Berechnung für ein Mantelelement mit RTD-Sensor

► Einsatz an der Trennwand zur Zone 0

Gesucht wird die maximal mögliche Temperatur T_{max} an der Fühlerspitze für nachfolgende Kombination:

- Widerstandsthermometer ohne Schutzrohr (TR10-H) Ø 6 mm ohne Transmitter, montiert mittels Klemmverschraubung mit VA-Klemmring
- Die Speisung erfolgt beispielsweise über eine Zenerbarriere z. B. Typ Z954 (WIKA-Artikelnummer 3247938)

T_{max} ergibt sich aus der Addition der Mediumtemperatur sowie der Eigenerwärmung. Die Eigenerwärmung der Fühlerspitze hängt ab von der zugeführten Leistung P_o der Zenerbarriere und dem Wärmewiderstand R_{th} .

14:50916.08 11/2021 EN/DE/FR/ES

5. Berechnungsbeispiele für die Eigenerwärmung an der ...

Die Berechnung erfolgt nach folgender Formel: $T_{\max} = P_o \cdot R_{th} + T_M$

T_{\max} = Oberflächentemperatur (max. Temperatur an der Schutzrohrspitze)

P_o = aus dem Datenblatt des Transmitters

R_{th} = Wärmewiderstand [K/W]

T_M = Mediumtemperatur

Beispiel

Widerstandsthermometer RTD

Durchmesser: 6 mm

Mediumtemperatur: $T_M = 150 \text{ °C}$

Zugeführte Leistung: $P_o = 1.150 \text{ mW}$

Temperaturklasse T3 (200 °C) darf nicht überschritten werden

Wärmewiderstand [R_{th} in K/W] aus Tabelle = 75 K/W

Eigenerwärmung: $1,15 \text{ W} \cdot 75 \text{ K/W} = 86,25 \text{ K}$

$T_{\max} = T_M + \text{Eigenerwärmung: } 150 \text{ °C} + 86,25 \text{ °C} = 236,25 \text{ °C}$

Das Ergebnis zeigt in diesem Fall eine deutliche Eigenerwärmung an der Fühlerspitze.

Als Sicherheitsabstand für baumustergeprüfte Geräte (für T3 bis T6) müssen von den 200 °C noch 5 °C subtrahiert werden, es wären 195 °C zulässig. Somit wird in diesem Fall die Temperaturklasse T3 deutlich überschritten und ist nicht zulässig. Als Abhilfe kann ein zusätzliches Schutzrohr oder Transmitter verwendet werden.

Zusatzinformation:

Temperaturklasse für T3 = 200 °C

Sicherheitsabstand für baumustergeprüfte Geräte (für T3 bis T6) ¹⁾ = 5 K

Sicherheitsabstand für baumustergeprüfte Geräte (für T1 bis T2) ¹⁾ = 10 K

1) IEC/EN 60079-0: 2009 Abs. 26.5.1

5.3 Berechnung für o. g. RTD mit Schutzrohr

- ▶ RTD-Messeinsatz Ø 6 mm ohne Transmitter, eingebaut in ein mehrteiliges Schutzrohr Bauform 3F

Wärmewiderstand [R_{th} in K/W] aus Tabelle = 37 K/W

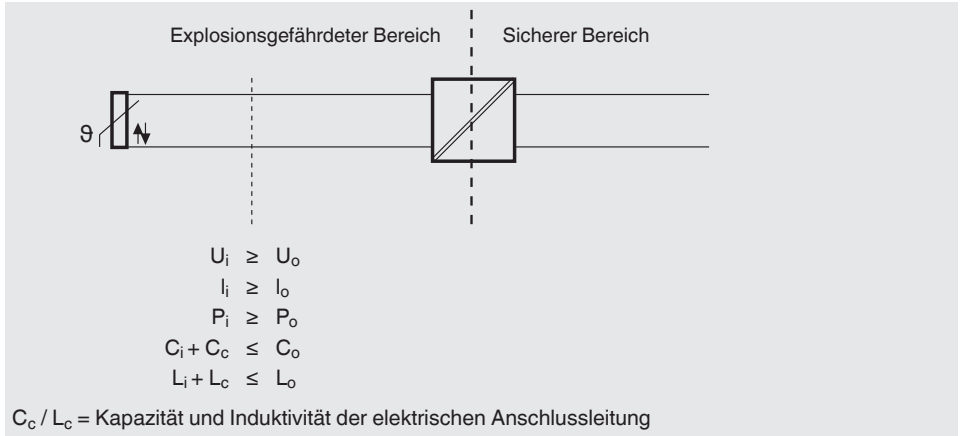
Eigenerwärmung: $1,15 \text{ W} \cdot 37 \text{ K/W} = 42,55 \text{ K}$

$T_{\max} = T_M + \text{Eigenerwärmung: } 150 \text{ °C} + 42,55 \text{ °C} = 192,55 \text{ °C}$

Das Ergebnis zeigt in diesem Fall eine deutliche Eigenerwärmung an der Fühlerspitze. Als Sicherheitsabstand für baumustergeprüfte Geräte (für T3 bis T6) müssen von den 200 °C noch 5 °C subtrahiert werden, es wären 195 °C zulässig. Somit wird in diesem Fall die Temperaturklasse T3 nicht überschritten.

5. Berechnungsbeispiele für die Eigenerwärmung an der ...

Sensor ohne Transmitter, mit Barriere



DE

Vereinfachter Nachweis der Eigensicherheit für oben genannte Kombination

Messeinsatz		Zenerbarriere Z954
U_i : DC 30 V	\geq	U_o : DC 9 V U_m : AC 250 V
I_i : 550 mA	\geq	I_o : 510 mA I_j : n. a.
P_i (max) am Sensor: 1,5 W	\geq	P_o : 1.150 mW P_j : n. a.
C_j : vernachlässigbar	\leq	C_o : 4,9 μ F C_j : n. a.
L_j : vernachlässigbar	\leq	L_o : 0,12 mH L_j : n. a.

n. a. = nicht anwendbar

Durch den Vergleich der Werte ist ersichtlich dass die Zusammenschaltung dieser Geräte zulässig ist. Allerdings müssen durch den Betreiber die Werte für die Induktivität und der Kapazität der elektrischen Anschlussleitungen noch berücksichtigt werden.

Diese Berechnungen gelten für die Zenerbarriere Z954 in Verbindung mit einem Widerstandsthermometer Pt100 im 3-kanaligen Betrieb ohne Erdverbindung, d. h. symmetrischer Betrieb des Widerstandsthermometers in 3-Leiter Schaltung an einer Anzeige oder Auswerteeinheit.



DE

Sommaire

1. Marquage Ex	48
2. Sécurité	50
3. Mise en service, utilisation	51
4. Conditions spécifiques pour une utilisation sûre (conditions X)	59
5. Exemples de calculs pour auto-échauffement à l'extrémité du capteur ou du doigt de gant	61
Annexe 1 : Déclaration de conformité UE	22
Annexe 2 : Matrice EPL	25

Déclarations de conformité disponibles sur www.wika.fr.

1. Marquage Ex

Documentation supplémentaire :

- ▶ Ces informations complémentaires concernant les zones explosives s'appliquent en conjonction avec le mode d'emploi "Sondes à résistance et thermocouples, types TRxx et TCxx" (numéro d'article 14150915).

Types concernés :

- ▶ Ce mode d'emploi est valable pour un grand nombre de produits. Pour une liste détaillée de ces types, reportez-vous au "Annexe : Déclaration de conformité UE" (page 24).

FR

1. Marquage Ex



DANGER !

Danger de mort due à la perte de la protection contre les explosions

Le non respect de ces instructions et de leurs contenus peut entraîner une perte de la protection contre les explosions.

- ▶ Observer les instructions de sécurité de ce chapitre et les autres instructions liées aux explosions de ce mode d'emploi.
- ▶ Respecter les exigences de la directive ATEX.
- ▶ Respecter les indications du certificat d'examen de type valable de même que les prescriptions nationales respectives concernant le montage et l'utilisation en zone explosive (par exemple CEI 60079-11, CEI 60079-10 et CEI 60079-14).

Contrôler que la classification est adaptée à l'application. Observer les réglementations nationales concernées.

ATEX

IECEx

- | | |
|---------|--|
| II 1G | Ex ia IIC T1, T2 T3, T4, T5, T6 Ga |
| II 1/2G | Ex ia IIC T1, T2, T3, T4, T5, T6 Ga/Gb |
| II 2G | Ex ia IIC T1, T2, T3, T4, T5, T6 Gb |
| II 2G | Ex ib IIC T1, T2, T3, T4, T5, T6 Gb |
| II 1D | Ex ia IIIC T65 °C, T95 °C, T125 °C Da |
| II 1/2D | Ex ia IIIC T65 °C, T95 °C, T125 °C Da/Db |
| II 2D | Ex ia IIIC T65 °C, T95 °C, T125 °C Db |
| II 2D | Ex ib IIIC T65 °C, T95 °C, T125 °C Db |

1. Marquage Ex

Pour les applications sans transmetteur (affichages numériques) qui requièrent des instruments du Groupe II (atmosphères gazeuses potentiellement explosives), la classification de température et les plages de température ambiante suivantes s'appliquent :

Tableau 1

Marquage		Classe de température	Plage de température ambiante (T _a)	Température maximale de surface (T _{max}) à l'extrémité du capteur ou du gaine
ATEX	IECEX			
II 1G	Ex ia IIC T1, T2 T3, T4, T5, T6 Ga	T1 ... T6	(-50) ¹⁾ -40 ... +80 °C	T _M (température du fluide) + auto-échauffement Pour ceci, il faut observer les conditions spéciales (voir chapitre 4 "Conditions spécifiques pour une utilisation sûre (conditions X)").
II 1/2G	Ex ia IIC T1, T2, T3, T4, T5, T6 Ga/Gb			
II 2G	Ex ia IIC T1, T2, T3, T4, T5, T6 Gb			
II 2G	Ex ib IIC T1, T2, T3, T4, T5, T6 Gb			

FR

Pour les applications qui requièrent des instruments du Groupe II (atmosphères poussiéreuses potentiellement explosives), les températures de surface suivantes et les plages de température ambiante suivantes s'appliquent :

Tableau 2

Marquage		Puissance P _i	Plage de température ambiante (T _a)	Température maximale de surface (T _{max}) à l'extrémité du capteur ou du gaine
ATEX	IECEX			
II 1D	Ex ia IIIC T65 °C Da	750 mW	(-50) ¹⁾ -40 ... +40 °C	T _M (température du fluide) + auto-échauffement Pour ceci, il faut observer les conditions spéciales (voir chapitre 4 "Conditions spécifiques pour une utilisation sûre (conditions X)").
II 1/2D	Ex ia IIIC T65 °C Da/Db			
II 2D	Ex ia IIIC T65 °C Db			
II 2D	Ex ib IIIC T65 °C Db			
II 1D	Ex ia IIIC T95 °C Da	650 mW	(-50) ¹⁾ -40 ... +70 °C	Pour ceci, il faut observer les conditions spéciales (voir chapitre 4 "Conditions spécifiques pour une utilisation sûre (conditions X)").
II 1/2D	Ex ia IIIC T95 °C Da/Db			
II 2D	Ex ia IIIC T95 °C Db			
II 2D	Ex ib IIIC T95 °C Db			
II 1D	Ex ia IIIC T125 °C Da	550 mW	(-50) ¹⁾ -40 ... +80 °C	
II 1/2D	Ex ia IIIC T125 °C Da/Db			
II 2D	Ex ia IIIC T125 °C Db			
II 2D	Ex ib IIIC T125 °C Db			

Lorsqu'il y a un transmetteur intégré et/ou un affichage numérique, les conditions spéciales contenues dans le certificat d'examen de type (voir chapitre 4 "Conditions spécifiques pour une utilisation sûre (conditions X)") s'appliquent.

1) Les valeurs entre parenthèses s'appliquent aux conceptions spéciales. Ces capteurs sont fabriqués en utilisant des composés spéciaux pour l'étanchéité. De plus, ils sont munis de boîtiers en acier inox et de presse-étoupes pour des plages de température basse.

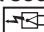
1.1 Utilisation de l'instrument dans différentes zones de protection contre les explosions (EPL)

Pour les applications requérant un EPL Gb, on peut aussi utiliser des instruments avec un EPL Ga. Si l'on utilise un instrument avec EPL Ga dans une application qui requiert EPL Gb, alors l'instrument pourrait ne pas être réutilisable dans une application qui requiert EPL Ga.

Pour les applications requérant un EPL Gc, on peut aussi utiliser des instruments avec un EPL Ga ou Gb. Si l'on utilise un instrument avec EPL Ga ou Gb dans une application qui requiert EPL Gc, alors l'instrument pourrait ne pas être réutilisable dans une application qui requiert EPL Ga ou Gb.

FR

1.2 Capteur "quasi non isolé"

Les versions avec \varnothing 3 mm et avec fil 2 x 4, $\varnothing < 3$ mm ou versions "non isolées" ne se conforment pas à la section 6.3.13, EN/CEI 60079-11 et sont identifiées comme étant "quasi non isolées" .

Observer les conditions spéciales (voir chapitre 4 "Conditions spécifiques pour une utilisation sûre (conditions X)", point 1).

1.3 Utilisation dans les atmosphères contenant du méthane

À cause du courant d'ignition minimum du méthane qui est plus fort, les instruments peuvent aussi être utilisés là où le méthane crée une atmosphère gazeuse potentiellement explosive.

2. Sécurité

2.1 Explication des symboles



DANGER !

... indique une situation en zone explosive présentant des risques susceptibles de provoquer la mort ou des blessures graves si elle n'est pas évitée.

2.2 Utilisation conforme à l'usage prévu

Les thermomètres décrits ici conviennent à des fins de mesure de la température en zone explosive.

Le non-respect des instructions pour utilisation en zones explosives peut conduire à la perte de la protection contre les explosions. Correspondre aux valeurs limites et instructions (voir fiche technique).

Capteurs avec connecteurs

Pour les versions avec connecteur, Ex i, poussière, les règles suivantes s'appliquent : La position du connecteur est autorisée uniquement en dehors de la zone explosive.

2.3 Responsabilité de l'opérateur

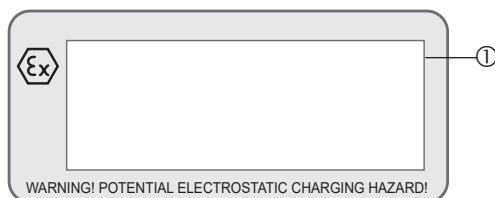
La classification des zones est une responsabilité qui incombe à l'exploitant du site et non au fabricant/fournisseur de l'équipement.

2.4 Qualification du personnel

Le personnel qualifié en électricité doit avoir les connaissances requises des types de protection contre l'ignition, des réglementations et dispositions concernant les équipements en zones explosives.

2.5 Etiquetage, marquages de sécurité

Plaque signalétique complémentaires (exemple)



① Données d'agrément liées

❄ ATEX/IECEx : température ambiante minimale admissible -50 °C

Dans ce cas, le caractère utilisable de l'instrument est indiqué par un symbole "flocon de neige".

3. Mise en service, utilisation



DANGER !

Danger d'explosion mortelle

Si l'on utilise un insert de mesure sans tête de raccordement adéquate (boîtier), on court un risque d'explosion qui peut causer des pertes humaines.

- ▶ N'utiliser l'insert de mesure que dans la tête de raccordement prévue à cet effet.



DANGER !

Danger vital dû à une absence de mise à la terre

Si la mise à la terre est absente ou incorrecte, il y a un risque de tensions dangereuses (conduisant, par exemple, à des dommages mécaniques, à des charges électrostatiques ou à une induction).

- ▶ Mettre le thermomètre à la terre !

Observer les conditions spéciales (voir chapitre 4 "Conditions spécifiques pour une utilisation sûre (conditions X)", point 2).

3.1 Montage mécanique

3.1.1 Montages multipoints

Dans cette exécution, plusieurs thermocouples ou sondes à résistance interchangeable (si nécessaire) sont combinés dans un instrument complet, de sorte que les mesures peuvent être effectuées à différentes profondeurs d'immersion. Les installations multipoint sont normalement équipées d'un boîtier dans lequel les transmetteurs ou les blocs de bornes sont installés.

Les transmetteurs/affichages numériques sont fixés au moyen d'un système de rail dans un boîtier ou un support dans la tête de raccordement et branchés en conformité avec EN/CEI 60079-11 and EN/CEI 60079-14. En option, en fonction de la version, les boîtiers peuvent être équipés ou non de bornes de connexion (par exemple blocs de bornes, etc.) en conformité avec EN/CEI 60079-11 et EN/CEI 60079-14.

Si l'on utilise plusieurs transmetteurs ou affichages numériques, on utilise un boîtier plus grand pour tenir compte de l'effet d'auto-échauffement qui est accru. Ceci garantit que la température de surface du boîtier n'augmente pas de manière significative.

3.1.2 Capteur câble

Dans le cas où l'on utilise des capteurs câble en conjonction avec un boîtier supplémentaire (avec des blocs de bornes ou des transmetteurs), les composants utilisés doivent correspondre à la zone explosive du capteur câble.

Observer les conditions spéciales (voir chapitre 4 "Conditions spécifiques pour une utilisation sûre (conditions X)", point 7).

3.2 Montage électrique

Si l'on utilise un transmetteur ou un afficheur (en option) :

il faut observer le contenu de la notice d'utilisation ainsi que celle du transmetteur/affichage numérique (voir le détail de la livraison).

Les transmetteurs ou afficheurs intégrés disposent de leur propre certificat. Pour les instruments munis d'un transmetteur ou d'un afficheur intégré, les plages de température ambiante admissible spécifiées dans leurs certificats s'appliquent à l'instrument tout entier.

Observer les conditions spéciales (voir chapitre 4 "Conditions spécifiques pour une utilisation sûre (conditions X)", point 3).

3. Mise en service, utilisation

3.2.1 Valeurs de raccordement électrique

■ Caractéristiques électriques sans transmetteur ou écran numérique

Paramètres	Groupe d'instruments II	
	Atmosphère gazeuse potentiellement explosive ¹⁾	Atmosphère poussiéreuse potentiellement explosive
Tension U_i	30 VDC	30 VDC
Courant I_i	550 mA	250 mA ²⁾
Puissance P_i (sur le capteur)	1,5 W ³⁾	Pour les valeurs, voir "tableau 2" (colonne 2), chapitre 1 "Marquage Ex" ⁴⁾
Capacité interne effective C_i des inserts de mesure standard en conformité avec DIN 43735	Négligeable ⁵⁾	Négligeable ⁵⁾
Conductivité interne effective L_i des inserts de mesure standard en conformité avec of DIN 43735	Négligeable ⁵⁾	Négligeable ⁵⁾

FR

1) Utilisation dans les atmosphères contenant du méthane

À cause de l'énergie d'ignition minimum du méthane qui est plus forte, les instruments peuvent aussi être utilisés là où le méthane crée une atmosphère gazeuse potentiellement explosive.

2) Courant selon IEC 60079-11 tableau 4

3) La puissance admissible sur le capteur dépend de la température du fluide T_M , de la classe de température et de la résistance thermique R_{th} , mais ne doit pas dépasser 1,5 W.

Exemples de calcul, voir chapitre 5 "Exemples de calculs pour auto-échauffement à l'extrémité du capteur ou du doigt de gant".

4) La puissance admissible sur le capteur dépend de la température du fluide T_M , de la température de surface maximale et de la résistance thermique R_{th} , mais ne doit pas dépasser les valeurs du "tableau 2" (colonne 2), chapitre 1 "Marquage Ex".

5) La conductivité interne ($L_i = 1 \mu\text{H/m}$) et la capacité ($C_i = 200 \text{ pF/m}$) pour les capteurs à câble doivent être respectées lorsque l'on branche sur une alimentation en sécurité intrinsèque.

■ Données électriques avec un transmetteur ou un affichage numérique intégré

U_i = en fonction du transmetteur ou de l'affichage numérique

I_i = en fonction du transmetteur ou de l'affichage numérique

P_i = dans le boîtier : dépend du transmetteur ou de l'affichage numérique

C_i = en fonction du transmetteur ou de l'affichage numérique

L_i = en fonction du transmetteur ou de l'affichage numérique

■ Données électriques avec transmetteur incorporé en accord avec le type FISCO

Les transmetteurs ou affichages numériques utilisés pour la gamme d'applications en accord avec le type FISCO sont considérés comme des appareils de champ FISCO.

Les exigences en conformité avec la norme EN/CEI 60079-27 et les conditions de connexion des agréments en accord avec FISCO s'appliquent.

3. Mise en service, utilisation

■ Thermocouples multipoint TC95 et TR95

Installation de thermocouples multipoint à partir d'éléments gainés individuels

Pour l'élément gainé individuel isolé, les valeurs mentionnées à 3.2.1 s'appliquent.

Pour les thermocouples multipoint mis à la terre de manière opérationnelle, la somme de tous les capteurs doit être compatible avec les valeurs mentionnées plus haut. Pour les applications dans des zones poussiéreuses, observer les valeurs du "tableau 2" (colonne 2) du chapitre 1 "Marquage Ex".

3.3 Classification de classe de température, températures ambiantes

Les températures ambiantes admissibles dépendent de la classe de température, des boîtiers utilisés et du transmetteur incorporé ou de l'affichage numérique intégrés en option.

Là où il n'y a ni transmetteurs ni afficheurs installés dans le boîtier, il n'y aura pas non plus d'échauffement supplémentaire. Avec un transmetteur incorporé (en option avec affichage numérique), un réchauffement causé par le fonctionnement du transmetteur ou de l'affichage numérique peut se produire.

Pour les applications sans transmetteur (affichages numériques) qui requièrent des instruments du Groupe II (atmosphères gazeuses potentiellement explosives), la classification de température et les plages de température ambiante suivantes s'appliquent :

Classe de température	Plage de température ambiante (T_a)
T1 ... T6	(-50) -40 ... +80 °C

Les températures ambiantes et les températures de surface admissibles pour des produits tiers peuvent être lues dans les approbations récentes et/ou les fiches techniques et doivent être respectées.

Pour les applications requérant des instruments du groupe d'instruments II (atmosphères poussiéreuses potentiellement explosives), les plages de température ambiante suivantes s'appliquent :

Puissance P_i	Plage de température ambiante (T_a)
750 mW	(-50) -40 ... +40 °C
650 mW	(-50) -40 ... +70 °C
550 mW	(-50) -40 ... +80 °C

Les valeurs entre parenthèses s'appliquent aux conceptions spéciales. Ces capteurs sont fabriqués en utilisant des composés spéciaux pour l'étanchéité. De plus, ils sont munis de têtes de raccordement en acier inox et de presse-étoupes pour des plages de température basse.

Conformément à cette homologation, ces thermomètres conviennent pour les classes de température T1 à T6. Ceci s'applique aux instruments sans ou avec transmetteurs et/ou affichages numériques intégrés. Assurez-vous de ne pas dépasser la température ambiante maximale pour l'utilisation en toute sécurité de l'instrument.

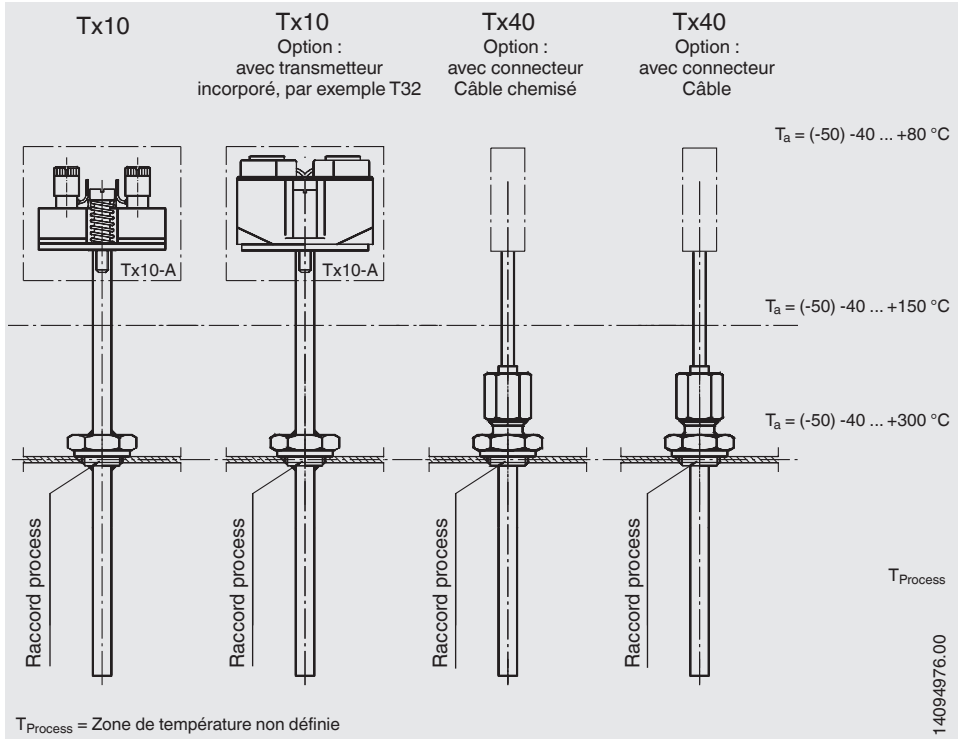
3. Mise en service, utilisation

3.4 Transmission de température depuis le process

Empêcher tout reflux de chaleur en provenance du process !

Observer les conditions spéciales (voir chapitre 4 "Conditions spécifiques pour une utilisation sûre (conditions X)", point 4).

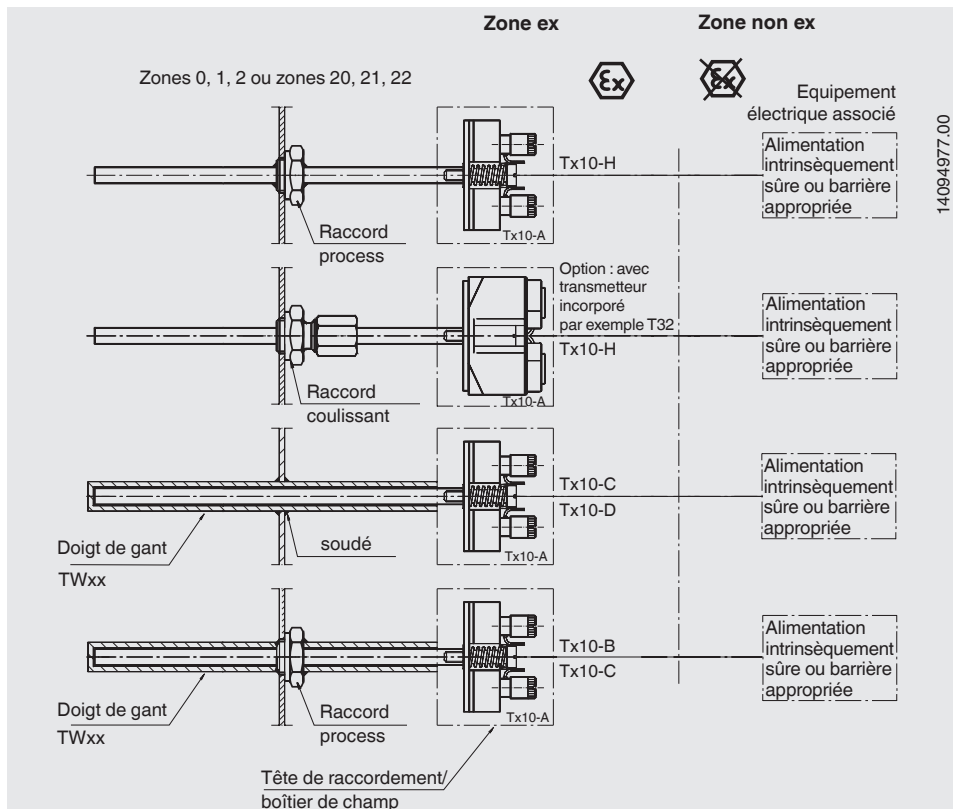
Vue générale des zones de température



FR

3.5 Exemples d'installation

3.5.1 Méthodes possibles d'installation avec le marquage II 1G Ex ia IIC T6 Ga ou II 1D Ex ia IIIC T65 °C Da



Le capteur, avec le boîtier ou la tête de raccordement, se trouve en zone 0 (zone 20). Il faut utiliser un circuit de type Ex ia. Les têtes de raccordement ou les boîtiers en aluminium ne sont en général pas autorisés en zone 0. Sur cette position, WIKA recommande des têtes de raccordement ou des boîtiers en acier inox.

Mesures de protection pour des applications requérant EPL Ga ou Da :

Pour le cas où un boîtier en métal léger est utilisé en zone 0, les mesures de protection suivantes s'appliquent :

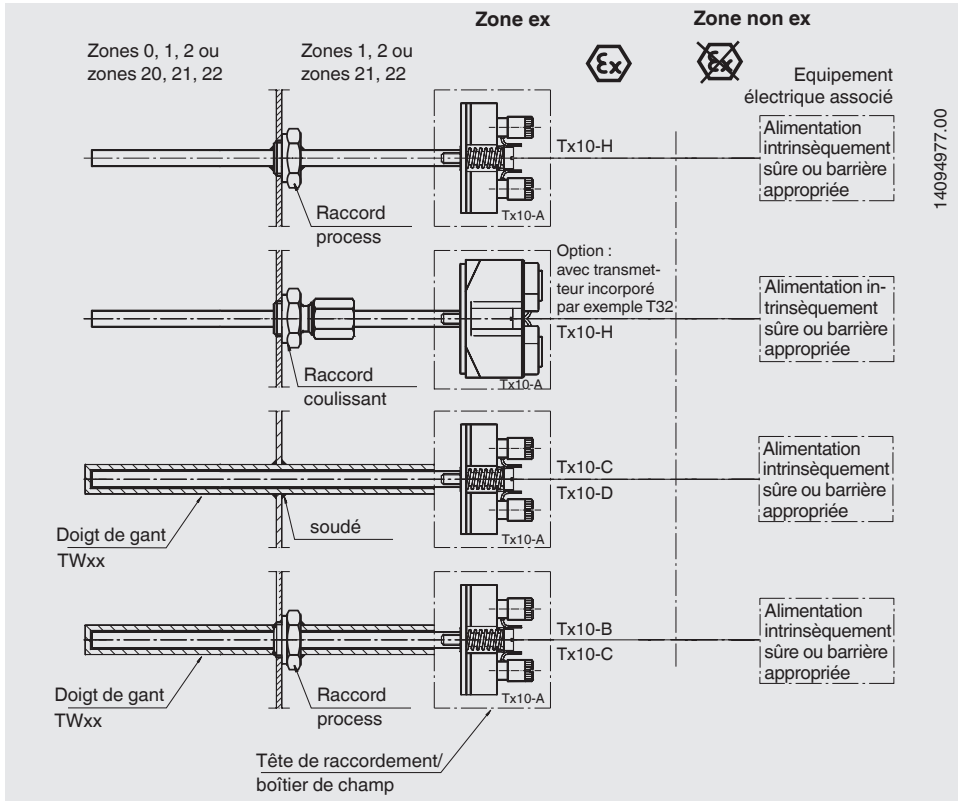
Des frictions ou des impacts causés par l'opérateur entre des composants en métal léger ou leurs alliages (par exemple aluminium, magnésium, titane ou zirconium) et des composants d'instrument en fer/acier ne sont pas autorisés. Des frictions ou des impacts causés par l'opérateur entre des métaux légers ne sont pas autorisés.

Observer les conditions spéciales (voir chapitre 4 "Conditions spécifiques pour une utilisation sûre (conditions X)", points 5 et 7).

3. Mise en service, utilisation

3.5.2 Méthodes possibles d'installation avec le marquage

II 1/2 Ex ia IIC T1 ... T6 Ga/Gb ou II 1/2D Ex ia IIC T65 ... T125 °C Da/Db



14094977.00

FR

L'extrémité du capteur ou du doigt de gant dépasse dans la zone 0. Le boîtier ou la tête de raccordement est en zone 1 (zone 21) ou en zone 2 (zone 22). Un circuit de type Ex ib suffit.

La séparation de zone est garantie si des raccords process suffisamment étanches (IP66 ou IP67) sont utilisés.

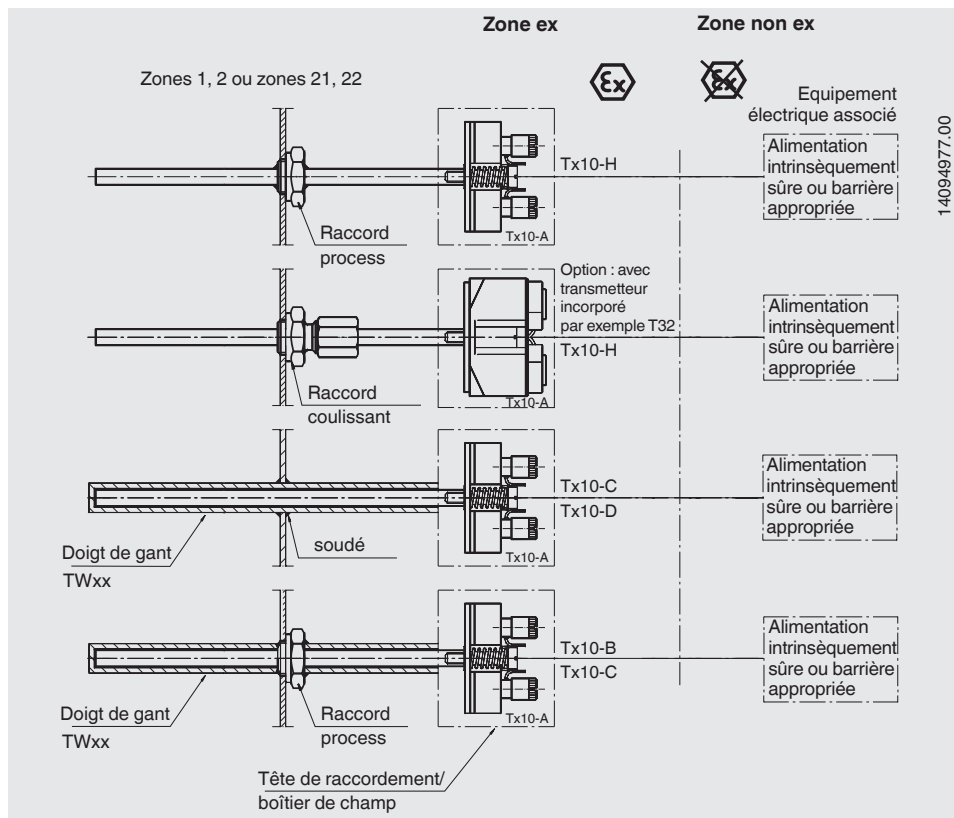
Les exemples de raccords process adéquats comprennent les brides industrielles standardisées étanches aux gaz, les connexions filetées ou les connexions par tuyauterie.

Les pièces soudées, les raccords process, raccords coulissants, doigts de gant ou boîtiers utilisés doivent être fabriqués de sorte qu'ils résistent à toutes les variables pouvant les influencer résultant du process, telles que la température, les forces de flux, la pression, la corrosion, la vibration et les impacts.

14150916.08 11/2021 EN/DE/FR/ES

3. Mise en service, utilisation

3.5.3 Méthodes possibles d'installation avec le marquage II 2G Ex ia IIC T1 ... T6 Gb ou II 2D Ex ia IIIC T65 ... T125 °C Db



3.5.4 Parois de séparation pour une séparation entre la zone 0 et la zone moins dangereuse ou séparation entre zone explosive et zone non explosive

L'épaisseur de la paroi de séparation doit être d'au moins 1 mm (acier inox).

Si l'épaisseur de la paroi est < 1 mm, prière de prendre connaissance de ce qui suit :

Dans le cas où un câble gainé à isolation minérale est une paroi de séparation, l'épaisseur minimale de paroi est de 10 % du diamètre extérieur du câble gainé à isolation minérale.

Si un manchon de transition entre le câble flexible et le câble gainé à isolation minérale fait partie de la paroi de séparation, l'épaisseur minimale de paroi du manchon de transition est de 0,4 mm.


L'opérateur ne doit pas créer une condition ambiante qui affecte négativement l'épaisseur minimale de la paroi de séparation. Ceci est particulièrement le cas pour les types TR10-D, TC10-D, TR10-H, TC10-H, TR40, TC40, TR41, TR50, TC50, TR53 et TC53.

Observer les conditions spéciales (voir chapitre 4 “Conditions spécifiques pour une utilisation sûre (conditions X)”, point 5).

Comme alternative, un doigt de gant ayant une épaisseur de paroi convenable peut être utilisée par le client. Pour cela, observer les conditions spéciales (voir chapitre 4 “Conditions spécifiques pour une utilisation sûre (conditions X)”, point 6).

4. Conditions spécifiques pour une utilisation sûre (conditions X)

FR

- 1) Les versions avec $\varnothing < 3 \text{ mm}$ ou “points de mesure mis à la terre” ne sont pas conformes à la clause 6.3.13 de CEI/EN 60079-11 en raison du type d'utilisation. De ce point de vue relatif à la sécurité, ces circuits sécurité intrinsèque seront considérés comme raccordés galvaniquement (“quasi non isolé” ) au potentiel de terre. L'égalisation de potentiel existera dans le déroulement complet de la construction des circuits à sécurité intrinsèque. En outre, pour la connexion, il faudra prendre en compte les exigences de CEI/EN 60079-14.
- 2) Pour les instruments qui ne sont pas conformes par rapport aux exigences électrostatiques de CEI/EN 60079-0 et de CEI/EN 60079-26 en raison de leur construction, il faudra éviter les charges électrostatiques.
- 3) Les transmetteurs et les affichages numériques utilisés doivent disposer de leur propre certification de type CE en conformité avec CEI. Les conditions d'installation, les valeurs de raccordement électrique, les classes de température en fonction des températures de surface maximales des appareils devant être utilisés dans des atmosphères poussiéreuses explosives et la température ambiante autorisée doivent être reprises par la certification type CE correspondante et doivent être prises en considération.
- 4) Un reflux de chaleur en provenance du process qui excède la température ambiante admissible du transmetteur, de l'affichage numérique ou du boîtier n'est pas autorisé et pourra être évité par une isolation thermique convenable ou une longueur d'extension convenable de la tuyauterie.
- 5) Dans le cas d'une épaisseur de paroi inférieure à 1 mm, l'instrument ne doit pas être exposé à des conditions ambiantes qui pourraient affecter la paroi de séparation de manière négative. On peut aussi utiliser un doigt de gant ayant une épaisseur minimale de paroi convenable.
- 6) Dans le cas de l'utilisation d'un doigt de gant ou d'une extension, l'instrument sera construits d'une manière qui permette une installation qui offre un joint suffisamment étanche (IP66 ou IP67) ou un joint antidéflagrant (CEI/EN 60079-1) dans la direction de la zone moins dangereuse.
- 7) *Ne s'applique pas à cet instrument (voir les conditions X dans le certificat d'examen type CE)*

4. Conditions spécifiques pour une utilisation sûre (conditions X)

- 8) En ce qui concerne l'utilisation de boîtiers, il devront soit être munis de leur propre certificat d'examen type CE, soit se conformer aux exigences minimales.
Protection IP : au moins IP20 (au moins IP6x pour la poussière), s'applique à tous les boîtiers.
Cependant, les boîtiers en métal léger doivent se conformer aux clauses 8.3 et 8.4 de CEI/EN 60079-0. Les boîtiers non-métalliques ou recouverts de poudre devront aussi se conformer à la clause 7.4 de CEI/EN 60079-0 ou être munis d'un marquage d'avertissement correspondant.
- 9) Les parties accessibles des boîtiers métalliques qui ne sont pas reliés à la terre et les parties accessibles des boîtiers métalliques qui sont reliés à la terre mais ne se conforment pas à la clause 6.5 de CEI/EN 60079-11 devront se conformer à la clause 7.5 de CEI/EN 60079-0 ou être munis d'un marquage d'avertissement correspondant.
- 10) Dans le cas où il est impraticable d'inclure la plage de température ambiante dans le marquage de l'instrument parce que l'instrument est un petit instrument au sens de 29.10 de CEI/EN 60079-0, la plage de température ambiante sera spécifiée dans le manuel qui est fourni. Si l'instrument n'est pas un petit instrument selon 29.10 de CEI/EN 60079-0 et si la plage de température ambiante n'est pas comprise dans le marquage, le marquage devra en plus inclure un marquage conseillant de se référer au manuel fourni avec l'appareil.

Mesures de protection pour des applications requérant EPL Ga ou Da :

Des frictions ou des impacts causés par l'opérateur entre des composants en métal léger ou leurs alliages (par exemple aluminium, magnésium, titane ou zirconium) et des composants d'instrument en fer/acier ne sont pas autorisés. Des frictions ou des impacts causés par l'opérateur entre des métaux légers ne sont pas autorisés.

5. Exemples de calculs pour auto-échauffement à l'extrémité du capteur ou du doigt de gant

L'auto-échauffement à l'extrémité du capteur ou du doigt de gant dépend du type de capteur (sonde à résistance/thermocouple), du diamètre du capteur, de l'exécution du doigt de gant et de la puissance fournie au transmetteur de température en cas de dysfonctionnement. Le tableau ci-dessous montre les combinaisons possibles. Le tableau montre que lorsqu'une erreur se produit, les thermocouples produisent un auto-échauffement sensiblement inférieur à celui des sondes à résistance.

Résistance thermique [R_{th} en K/W]

Type de capteur	Sonde à résistance (RTD)				Thermocouple (TC)			
	2,0 ... < 3,0	3,0 ... < 6,0	6,0 ... 8,0	3,0 ... 6,0 ¹⁾	0,5 ... < 1,5	1,5 ... < 3,0	3,0 ... < 6,0	6,0 ... 12,0
Sans doigt de gant	245	110	75	225	105	60	20	5
Avec doigt de gant fabriqué (coniques et droits), par exemple TW22, TW35, TW40, TW45 etc.	135	60	37	-	-	-	11	2,5
Avec doigt de gant - matériau solide (coniques et droits), par exemple TW10, TW15, TW20, TW25, TW30, TW50, TW55, TW60, etc.	50	22	16	-	-	-	4	1
Doigt de gant spécial en accord avec EN 14597	-	-	33	-	-	-	-	2,5
Tx55 (tube de rétension)	-	110	75	225	-	-	20	5
Construit dans un trou borgne (épaisseur minimale de la paroi 5 mm)	50	22	16	45	22	13	4	1

1) sensible à la

Lorsqu'on utilise des capteurs multiples et un fonctionnement simultané, la somme des puissances individuelles ne doit pas excéder la valeur de la puissance maximum admissible. La puissance maximale admissible doit être limitée à 1,5 W. Ceci doit être garanti par l'opérateur des installations.

5.1 Calcul pour un point de mesure RTD avec doigt de gant

- Utilisation sur la partition vers la zone 0

Calculer la température admissible maximale T_{\max} à l'extrémité du doigt de gant pour la combinaison suivante :

- Insert de mesure RTD avec un diamètre de 6 mm avec un transmetteur intégré type T32.1S monté en tête, installé dans un doigt de gant version 3F.
- L'alimentation électrique se fait, par exemple, au moyen d'une barrière isolée type IS Barrier (n° d'article WIKA 14117118)

FR

T_{\max} est obtenue par l'addition de la température du fluide et de l'auto-échauffement. L'auto-échauffement de l'extrémité du doigt de gant dépend de la puissance alimentée P_o du transmetteur et de la résistance thermique R_{th} .

Pour le calcul, on utilise la formule suivante : $T_{\max} = P_o * R_{th} + T_M$

T_{\max} = Température de surface (température maximale à l'extrémité du doigt de gant)

P_o = en provenance de la fiche technique du transmetteur

R_{th} = Résistance thermique [K/W]

T_M = Température fluide

Exemple

Sonde à résistance RTD

Diamètre : 6 mm

Température fluide : $T_M = 150 \text{ °C}$

Puissance alimentée: $P_o = 15,2 \text{ mW}$

La classe de température T3 (200 °C) ne doit pas être dépassée

Résistance thermique [R_{th} en K/W] du tableau = 37 K/W

Auto-échauffement : $0,0152 \text{ W} * 37 \text{ K/W} = 0,56 \text{ K}$

$T_{\max} = T_M + \text{auto-échauffement} : 150 \text{ °C} + 0,56 \text{ °C} = 150,56 \text{ °C}$

Le résultat montre que dans ce cas l'auto-échauffement à l'extrémité du doigt de gant est presque négligeable. Comme marge de sécurité pour des instruments certifiés (pour T6 à T3), 5 °C supplémentaires doivent être déduits des 200 °C ; 195 °C seraient donc acceptables. Cela signifie que, dans ce cas, la classe de température T3 n'est pas dépassée.

Informations complémentaires :

Température classe pour T3 = 200 °C

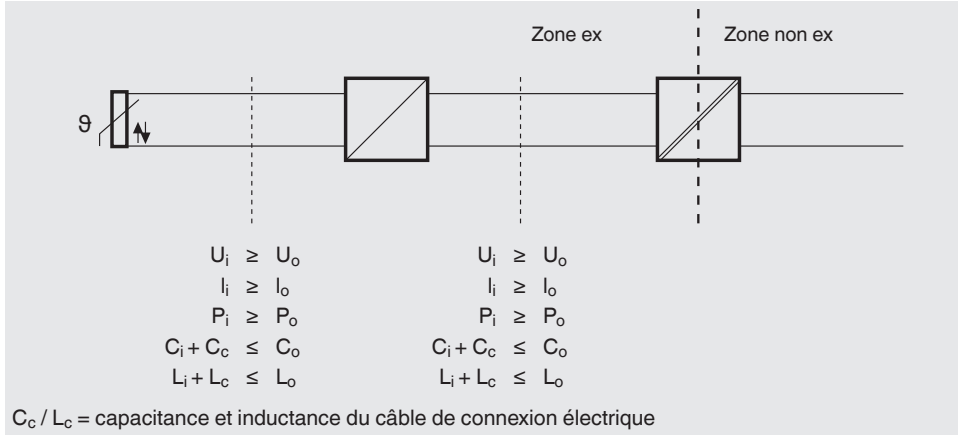
Marge de sécurité pour les appareils avec attestation d'examen (pour T3 à T6)²⁾ = 5 K

Marge de sécurité pour les appareils avec attestation d'examen (pour T1 à T2)²⁾ = 10 K

2) Norme EN/CEI 60079-0 : 2009 alinéa 26.5.1

5. Exemples de calculs pour auto-échauffement à ...

Capteur avec transmetteur et barrière



FR

Vérification simplifiée de la sécurité intrinsèque pour la combinaison mentionnée ci-dessus

Insert de mesure	Transmetteur monté en tête	Barrière isolée
$U_i : 30 \text{ VDC}$	$\geq U_o : 6,5 \text{ VDC}$	$U_i : 30 \text{ VDC} \geq U_o : \text{DC } 25,2 \text{ V}$
$I_i : 550 \text{ mA}$	$\geq I_o : 9,3 \text{ mA}$	$I_i : 130 \text{ mA} \geq I_o : 93 \text{ mA}$
$P_i \text{ (max) sur le capteur} = 1,5 \text{ W}$	$\geq P_o : 15,2 \text{ mW}$	$P_i : 800 \text{ mW} \geq P_o : 587 \text{ mW}$
$C_i : \text{négligeable}$	$\leq C_o : 24 \mu\text{F}$	$C_i : 7,8 \text{ nF} \leq C_o : 107 \text{ nF}$
$L_i : \text{négligeable}$	$\leq L_o : 365 \text{ mH}$	$L_i : 100 \mu\text{H} \leq L_o : 2,0 \text{ mH}$

En comparant ces valeurs, il est évident qu'il est admissible de connecter ces instruments entre eux. Cependant, l'opérateur doit aussi prendre en compte les valeurs pour la conductivité et la capacité des lignes de raccordement électrique.

5.2 Calcul pour un élément gainé avec capteur RTD

- Utilisation sur la partition vers la zone 0

Calculer la température admissible maximale T_{\max} à l'extrémité du capteur pour la combinaison suivante :

- Sonde à résistance sans doigt de gant (TR10-H) $\varnothing 6 \text{ mm}$ sans transmetteur, installé au moyen d'un raccord coulissant avec ferrule en acier inox.
- L'alimentation électrique se fait, par exemple, au moyen d'une barrière Zener, par exemple type Z954 (n° d'article WIKA 3247938)

T_{\max} est obtenue par l'addition de la température du fluide et de l'auto-échauffement. L'auto-échauffement de l'extrémité du doigt de gant dépend de la puissance alimentée P_o de la barrière Zener et de la résistance thermique R_{th} .

5. Exemples de calculs pour auto-échauffement à ...

Pour le calcul, on utilise la formule suivante : $T_{\max} = P_o * R_{th} + T_M$

T_{\max} = Température de surface (température maximale à l'extrémité du doigt de gant)

P_o = en provenance de la fiche technique du transmetteur

R_{th} = Résistance thermique [K/W]

T_M = Température fluide

Exemple

Sonde à résistance RTD

Diamètre : 6 mm

Température fluide : $T_M = 150\text{ °C}$

Puissance alimentée : $P_o = 1.150\text{ mW}$

La classe de température T3 (200 °C) ne doit pas être dépassée

Résistance thermique [R_{th} en K/W] du tableau = 75 K/W

Auto-échauffement : $1,15\text{ W} * 75\text{ K/W} = 86,25\text{ K}$

$T_{\max} = T_M + \text{auto-échauffement} : 150\text{ °C} + 86,25\text{ °C} = 236,25\text{ °C}$

Le résultat montre que dans ce cas il y a un auto-échauffement substantiel à l'extrémité du capteur. Comme marge de sécurité pour des instruments certifiés (pour T3 à T6), 5 °C supplémentaires doivent être déduits des 200 °C ; 195 °C seraient donc acceptables. Cela signifie que, dans ce cas, la classe de température T3 est dépassée de manière significative et donc non admissible. On pourrait utiliser un doigt de gant ou un transmetteur additionnel comme remède.

Informations complémentaires :

Température classe pour T3 = 200 °C

Marge de sécurité pour les appareils avec attestation d'examen (pour T3 à T6) ¹⁾ = 5 K

Marge de sécurité pour les appareils avec attestation d'examen (pour T1 à T2) ¹⁾ = 10 K

1) EN/CEI 60079-0: 2009 Ch. 26.5.1

5.3 Calcul pour le RTD mentionné ci-dessus avec doigt de gant

► Insert de mesure RTD avec un diamètre de 6 mm sans transmetteur, installé dans un doigt de gant version 3F

Résistance thermique [R_{th} en K/W] du tableau = 37 K/W

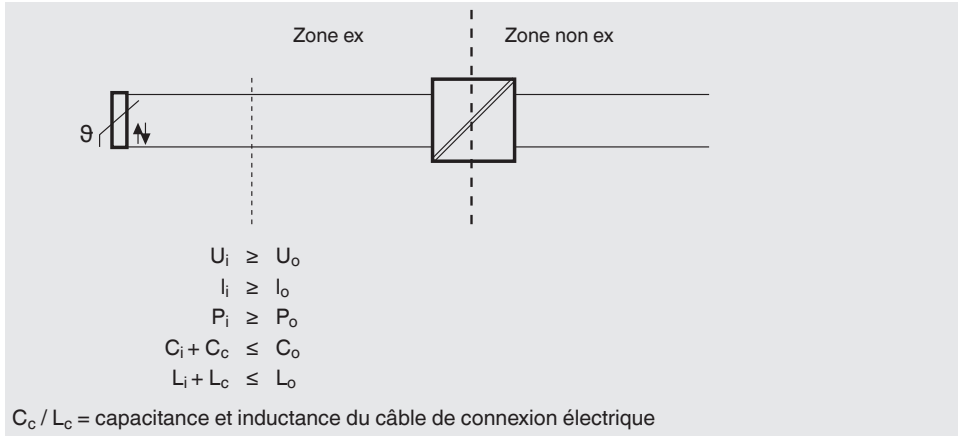
Auto-échauffement : $1,15\text{ W} * 37\text{ K/W} = 42,55\text{ K}$

$T_{\max} = T_M + \text{auto-échauffement} : 150\text{ °C} + 42,55\text{ °C} = 192,55\text{ °C}$

Le résultat montre que dans ce cas il y a un auto-échauffement substantiel à l'extrémité du capteur. Comme marge de sécurité pour des instruments certifiés (pour T3 à T6), 5 °C supplémentaires doivent être déduits des 200 °C ; 195 °C seraient donc acceptables. Cela signifie que, dans ce cas, la classe de température T3 n'est pas dépassée.

5. Exemples de calculs pour auto-échauffement à ...

Capteur sans transmetteur, avec barrière



FR

Vérification simplifiée de la sécurité intrinsèque pour la combinaison mentionnée ci-dessus

Insert de mesure		Barrière Zener Z954	
$U_i : 30 \text{ VDC}$	\geq	$U_o : 9 \text{ VDC}$	$U_m : 250 \text{ VAC}$
$I_i : 550 \text{ mA}$	\geq	$I_o : 510 \text{ mA}$	$I_j : \text{n/a}$
$P_i (\text{max}) \text{ sur le capteur} = 1,5 \text{ W}$	\geq	$P_o : 1.150 \text{ mW}$	$P_i : \text{n/a}$
$C_i : \text{négligeable}$	\leq	$C_o : 4,9 \mu\text{F}$	$C_i : \text{n/a}$
$L_i : \text{négligeable}$	\leq	$L_o : 0,12 \text{ mH}$	$L_i : \text{n/a}$

n/a = non applicable

En comparant ces valeurs, il est évident qu'il est admissible de connecter ces instruments entre eux. Cependant, l'opérateur doit aussi prendre en compte les valeurs pour la conductivité et la capacité des lignes de raccordement électrique.

Ces calculs s'appliquent à la barrière Zener Z954 en connexion avec une sonde à résistance Pt100 en mode 3 fils sans mise à la terre, c'est-à-dire fonctionnement symétrique de la sonde à résistance dans un circuit 3 fils sur un appareil d'affichage ou d'évaluation.



FR

14150916.08 11/2021 EN/DE/FR/ES

Contenido

1. Marcaje Ex	68
2. Seguridad	70
3. Puesta en servicio, funcionamiento	71
4. Condiciones especiales para un uso seguro (X-Conditions)	79
5. Ejemplos de cálculo para el calentamiento propio en la punta del sensor/de la vaina	81
Anexo 1: Declaración de conformidad UE	22
Anexo 2: Matriz EPL	25

ES

Declaraciones de conformidad puede encontrar en www.wika.es.

1. Marcaje Ex

Documentación complementaria:

- ▶ Esta información adicional para atmósferas potencialmente explosivas se aplica en relación con el manual de instrucciones “Termorresistencias y termopares, modelos TRxx y TCxx” (código 14150915).

Tipos afectados:

- ▶ Estas instrucciones de servicio aplican a varios productos. Consulte el “Annexe : Déclaration de conformité UE” (página 24) para un listado exacto de los tipos correspondientes.

ES

1. Marcaje Ex



¡PELIGRO!

Peligro de muerte debido a la pérdida de la protección contra explosiones

La inobservancia del contenido y de las instrucciones puede originar la pérdida de la protección contra explosiones.

- ▶ Observe las instrucciones de seguridad en este capítulo y otros avisos sobre peligros de explosión en este manual de instrucciones.
- ▶ Tener en cuenta las exigencias de la directiva ATEX.
- ▶ Cumplir las indicaciones del certificado de tipo vigente así como las respectivas normativas sobre la instalación y el uso en zonas potencialmente explosivas (p. ej. IEC 60079-11, IEC 60079-10 y IEC 60079-14).

Compruebe idoneidad de la clasificación para la aplicación. Tenga en consideración las respectivas leyes y reglamentos nacionales.

ATEX

IECEx

- | | |
|---------|--|
| II 1G | Ex ia IIC T1, T2 T3, T4, T5, T6 Ga |
| II 1/2G | Ex ia IIC T1, T2, T3, T4, T5, T6 Ga/Gb |
| II 2G | Ex ia IIC T1, T2, T3, T4, T5, T6 Gb |
| II 2G | Ex ib IIC T1, T2, T3, T4, T5, T6 Gb |
| II 1D | Ex ia IIIC T65 °C, T95 °C, T125 °C Da |
| II 1/2D | Ex ia IIIC T65 °C, T95 °C, T125 °C Da/Db |
| II 2D | Ex ia IIIC T65 °C, T95 °C, T125 °C Db |
| II 2D | Ex ib IIIC T65 °C, T95 °C, T125 °C Db |

1. Marcaje Ex

Para utilizaciones sin transmisor (indicadores digitales) que requieren instrumentos del grupo II (zonas gaseosas potencialmente explosivas) rige la siguiente división en clases de temperatura y rangos de temperatura ambiente:

Tabla 1

Marcado		Clase de temperatura	Rango de temperaturas ambientes (T_a)	Temperatura superficial máxima (T_{max}) en la punta de sensores o vainas
ATEX	IECEX			
II 1G	Ex ia IIC T1, T2 T3, T4, T5, T6 Ga	T1 ... T6	(-50) ¹⁾ -40 ... +80 °C	T_M (temperatura del medio) + calentamiento propio Para ello deben tenerse en cuenta las condiciones especiales (véase el capítulo 4 "Condiciones especiales para un uso seguro (X-Conditions)").
II 1/2G	Ex ia IIC T1, T2, T3, T4, T5, T6 Ga/Gb			
II 2G	Ex ia IIC T1, T2, T3, T4, T5, T6 Gb			
II 2G	Ex ib IIC T1, T2, T3, T4, T5, T6 Gb			

Para aplicaciones que requieren instrumentos del grupo II (zonas polvorientas potencialmente explosivas) rigen las siguientes temperaturas superficiales y rangos de temperatura ambiente:

Tabla 2

Marcado		Potencia P_i	Rango de temperaturas ambientes (T_a)	Temperatura superficial máxima (T_{max}) en la punta de sensores o vainas
ATEX	IECEX			
II 1D	Ex ia IIIC T65 °C Da	750 mW	(-50) ¹⁾ -40 ... +40 °C	T_M (temperatura del medio) + calentamiento propio Para ello deben tenerse en cuenta las condiciones especiales (véase el capítulo 4 "Condiciones especiales para un uso seguro (X-Conditions)").
II 1/2D	Ex ia IIIC T65 °C Da/Db			
II 2D	Ex ia IIIC T65 °C Db			
II 2D	Ex ib IIIC T65 °C Db			
II 1D	Ex ia IIIC T95 °C Da	650 mW	(-50) ¹⁾ -40 ... +70 °C	T_M (temperatura del medio) + calentamiento propio Para ello deben tenerse en cuenta las condiciones especiales (véase el capítulo 4 "Condiciones especiales para un uso seguro (X-Conditions)").
II 1/2D	Ex ia IIIC T95 °C Da/Db			
II 2D	Ex ia IIIC T95 °C Db			
II 2D	Ex ib IIIC T95 °C Db			
II 1D	Ex ia IIIC T125 °C Da	550 mW	(-50) ¹⁾ -40 ... +80 °C	T_M (temperatura del medio) + calentamiento propio Para ello deben tenerse en cuenta las condiciones especiales (véase el capítulo 4 "Condiciones especiales para un uso seguro (X-Conditions)").
II 1/2D	Ex ia IIIC T125 °C Da/Db			
II 2D	Ex ia IIIC T125 °C Db			
II 2D	Ex ib IIIC T125 °C Db			

Para el montaje de un transmisor y/o un indicador digital rigen las condiciones especiales del certificado de tipo (véase el capítulo 4 "Condiciones especiales para un uso seguro (X-Conditions)").

1) Los valores entre paréntesis rigen para modelos especiales. Estos sensores son fabricados con masas de relleno especiales. Además, son dotados de cajas de acero al cromo-níquel y de prensaestopas para cables adecuados para temperaturas bajas.

1.1 Uso de los instrumentos en diferentes zonas de protección contra explosiones (EPL)

Para aplicaciones que requieren EPL Gb también pueden utilizarse instrumentos con EPL Ga. Si se ha utilizado un instrumento con EPL Ga en una aplicación requiriendo EPL Gb, el instrumento no deberá volver a utilizarse en aplicaciones requiriendo EPL Ga.

Para aplicaciones que requieren EPL Gc también pueden utilizarse instrumentos con EPL Ga o Gb. Si se ha utilizado un instrumento con EPL Ga o Gb en una aplicación requiriendo EPL Gc, el instrumento no deberá volver a utilizarse en aplicaciones requiriendo EPL Ga o Gb.

1.2 Sensor “en principio puesto a tierra”

Versiones con \varnothing 3 mm en caso de 2 x 4 hilos, $\varnothing < 3$ mm o versiones “no aisladas” no cumplen el apartado 6.3.13, IEC/EN 60079-11 y son marcados como “en principio puesto a tierra”

Observar las condiciones especiales (véase el capítulo 4 “Condiciones especiales para un uso seguro (X-Conditions)”, punto 1).

1.3 Aplicación en atmósferas de metano

Debido a la mayor corriente mínima de ignición (CMI) del metano, los instrumentos pueden utilizarse también en zonas gaseosas potencialmente explosivas provocadas por ello.

2. Seguridad

2.1 Explicación de símbolos



¡PELIGRO!

... señala una situación de peligro potencial en la zona potencialmente explosiva, lo que puede provocar la muerte o lesiones graves si no se evita.

2.2 Uso conforme a lo previsto

Los termómetros aquí descritos son aptos para la medición de temperatura en zonas potencialmente explosivas.

La inobservancia de la información para su uso en zonas potencialmente explosivas conduce a la pérdida de la protección contra explosiones. Observar los valores límite y las indicaciones técnicas (véase hoja técnica).

Sensores con conectores

Para las versiones con conector, Ex i, polvo se aplica lo siguiente: La posición del conector sólo está permitida fuera de la zona potencialmente explosiva.

2. Seguridad / 3. Puesta en servicio, funcionamiento

2.3 Responsabilidad del usuario

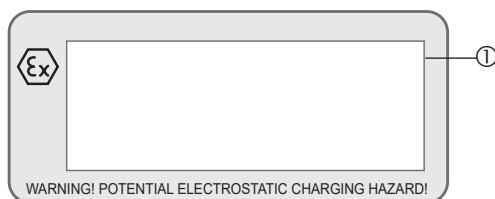
La responsabilidad para la clasificación de zonas le corresponde a la empresa explotadora/operadora de la planta y no al fabricante/proveedor de los equipos eléctricos.

2.4 Cualificación del personal

El electricistas profesionales deben tener conocimientos sobre los tipos de protección contra incendios, los reglamentos y las directivas referente a equipos en zonas potencialmente explosivas.

2.5 Rótulos, marcajes de seguridad

Placa de identificación adicional (ejemplos)



① Datos relevantes de la homologación

❄ ATEX/IECEx: Temperatura ambiente mínima permitida -50 °C

En este caso, la funcionalidad del instrumento se indica con un símbolo de copo de nieve.

3. Puesta en servicio, funcionamiento



¡PELIGRO!

Riesgo de muerte por explosión

Al utilizar la unidad de medida extraíble sin un cabezal apto (caja) existe riesgo de explosión que puede llevar a la muerte.

- ▶ Utilizar la unidad de medida extraíble únicamente en el cabezal previsto para este fin.



¡PELIGRO!

Riesgo de muerte en caso de falta de puesta a tierra del instrumento

En caso de puesta a tierra inexistente o incorrecta del instrumento existe el riesgo de tensión peligrosa (causada por ej. por daños mecánicos, carga electrostática o inducción).

- ▶ ¡Poner a tierra el termómetro!

Observar las condiciones especiales (véase el capítulo 4 “Condiciones especiales para un uso seguro (X-Conditions)”, punto 2).

3. Puesta en servicio, funcionamiento

3.1 Montaje mecánico

3.1.1 Multipuntos

En esta construcción se combinan varios termopares o termorresistencias intercambiables en caso de necesidad en un solo instrumento para poder efectuar mediciones en diferentes profundidades de inmersión. Por regla general, los multipuntos están equipados con una caja, en la cual están montados transmisores o bornes en fila.

Los transmisores/indicadores digitales están fijados mediante un sistema de carriles en la caja o un soporte en el cabezal y conectados conforme a IEC/EN 60079-11 y IEC/EN 60079-14). En función de la versión, las cajas pueden estar equipadas opcionalmente sin o con bornes de conexión (por ej. bornes en fila, zócalo de conexión, etc.) conforme a IEC/EN 60079-11 y IEC/EN 60079-14.

ES

En caso de uso de varios transmisores/indicadores digitales se utiliza una caja más grande para compensar el mayor calentamiento propio. Así queda garantizado que no se produzca un aumento significativo de la temperatura superficial de la caja.

3.1.2 Sonda de cable

Si se usa una sonda de cable en combinación con una caja adicional (con bornes en fila o transmisor), los componentes deben corresponder al tipo de protección antiexplosiva de la sonda de cable.

Observar las condiciones especiales (véase el capítulo 4 “Condiciones especiales para un uso seguro (X-Conditions)”, punto 7).

3.2 Montaje eléctrico

Uso de un transmisor/indicador digital (opcional):

Observar el contenido del manual de instrucciones del transmisor/indicador digital (ver volumen de suministro).

Los transmisores y pantallas digitales incorporados tienen sus propios certificados. En el caso de los instrumentos con transmisor o pantalla digital incorporados, los rangos de temperatura ambiente permisibles especificados en sus certificados también se aplican a todo el instrumento.

Observar las condiciones especiales (véase el capítulo 4 “Condiciones especiales para un uso seguro (X-Conditions)”, punto 3).

3. Puesta en servicio, funcionamiento

3.2.1 Potencia eléctrica de conexión

■ Datos eléctricos sin transmisor o indicador digital montado

Características	Grupo de dispositivos II	
	Zona gaseosa potencialmente explosiva ¹⁾	Zona polvorienta potencialmente explosiva
Tensión U_i	DC 30 V	DC 30 V
Intensidad de corriente I_i	550 mA	250 mA ²⁾
Potencia P_i (en el sensor)	1,5 W ³⁾	Para los valores véase "Tabla 2" (columna 2), capítulo 1 „Marcaje Ex“ ⁴⁾
Capacidad interna efectiva C_i de unidades de medida extraíbles estándares según DIN 43735	Despreciable ⁵⁾	Despreciable ⁵⁾
Inductividad interna efectiva L_i de unidades de medida extraíbles estándares según DIN 43735	Despreciable ⁵⁾	Despreciable ⁵⁾

1) Utilización en atmósferas de metano

Debido a la mayor energía mínima de ignición del metano, los instrumentos pueden utilizarse también en zonas gaseosas potencialmente explosivas provocadas por ello.

2) Intensidad de corriente según IEC 60079-11 tabla 4

3) La potencia admisible para el sensor depende de la temperatura del medio T_M , de la clase de temperatura y de la resistencia térmica R_{th} , sin embargo como máximo 1,5 W.

Para ejemplos de cálculo véase el capítulo 5 "Ejemplos de cálculo para el calentamiento propio en la punta del sensor/de la vaina".

4) La potencia admisible para el sensor depende de la temperatura del medio T_M , de la temperatura superficial máxima permitida y de la resistencia térmica R_{th} , sin embargo como máximo los valores de la "Tabla 2" (columna 2), capítulo 1 "Marcaje Ex".

5) La inductancia ($L_i = 1 \mu\text{H/m}$) y capacidad ($C_i = 200 \text{ pF/m}$) de sondas de cable deben tenerse en cuenta en la conexión a un suministro de corriente con seguridad intrínseca.

■ Datos eléctricos con transmisor o indicador digital montado

U_i = en dependencia del transmisor/indicador digital

I_i = en dependencia del transmisor/indicador digital

P_i = en la caja: en dependencia del transmisor/indicador digital

C_i = en dependencia del transmisor/indicador digital

L_i = en dependencia del transmisor/indicador digital

■ Datos eléctricos con transmisor incorporado según el modelo FISCO

Los transmisores/indicadores digitales utilizados para el campo de aplicación correspondiente al modelo FISCO se consideran como instrumentos de campo FISCO. Rigen los requerimientos según IEC/EN 60079-27 y las condiciones de conexión de las homologaciones conforme a FISCO.

3. Puesta en servicio, funcionamiento

■ Multipuntos TC95, TR95

Estructura de los multipuntos compuestos de elementos encamisados individuales

Al elemento encamisado individual con aislamiento se aplican los valores mencionados en el capítulo 3.2.1. En caso de multipuntos puestos a tierra por razones de funcionamiento se aplican los valores mencionados arriba a las sumas de todos los sensores. Para las aplicaciones en atmósferas polvorientas, observar los valores de la "Tabla 2" (columna 2) del capítulo 1 "Marcaje Ex".

3.3 División en clases de temperatura, temperaturas ambiente

Las temperaturas ambiente permitidas están determinadas por la clase de temperatura, las cajas utilizadas y los transmisores y/o indicadores digitales opcionalmente incorporados.

ES

Si en la caja no está montado ningún transmisor o indicador digital, no se produce un calentamiento adicional. Con un transmisor incorporado (opcionalmente con indicador digital) puede producirse un calentamiento inducido por el propio funcionamiento, originado por el transmisor o el indicador digital.

Para utilizaciones sin transmisor (indicadores digitales) que requieren instrumentos del grupo II (zonas gaseosas potencialmente explosivas) rige la siguiente división en clases de temperatura y rangos de temperatura ambiente:

Clase de temperatura	Rango de temperaturas ambientes (T_a)
T1 ... T6	(-50) -40 ... +80 °C

Informarse sobre las temperaturas ambiente y de superficie homologadas de otros fabricantes en las respectivas homologaciones y/o hojas técnicas y observarlas.

Para aplicaciones que requieren instrumentos del grupo II (zonas polvorientas potencialmente explosivas) rigen los siguientes rangos de temperatura ambiente:

Potencia P_i	Rango de temperaturas ambientes (T_a)
750 mW	(-50) -40 ... +40 °C
650 mW	(-50) -40 ... +70 °C
550 mW	(-50) -40 ... +80 °C

Los valores entre paréntesis rigen para modelos especiales. Estos sensores son fabricados con masas de relleno especiales. Además, son dotados de cabezales de acero inoxidable y de prensaestopas para cables adecuados para temperaturas bajas.

De acuerdo a la homologación, estos termómetros son apropiados para las clases de temperatura T1 ... T6. Esto vale para instrumentos con o sin transmisor incorporado y/o indicadores digitales. En este caso, asegurarse de que no se supere la temperatura ambiente máxima para el funcionamiento seguro del dispositivo.

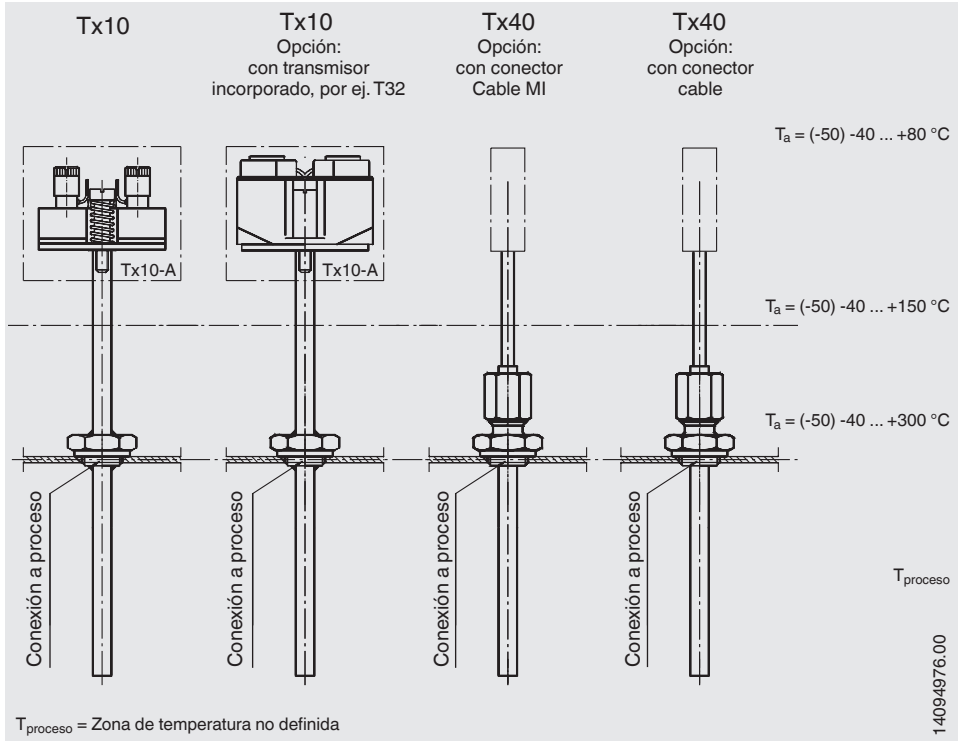
3. Puesta en servicio, funcionamiento

3.4 Arrastre de temperatura del proceso

¡Evitar el flujo térmico proveniente del proceso!

Observar las condiciones especiales (véase el capítulo 4 “Condiciones especiales para un uso seguro (X-Conditions)”, punto 4).

Resumen de las zonas de temperatura

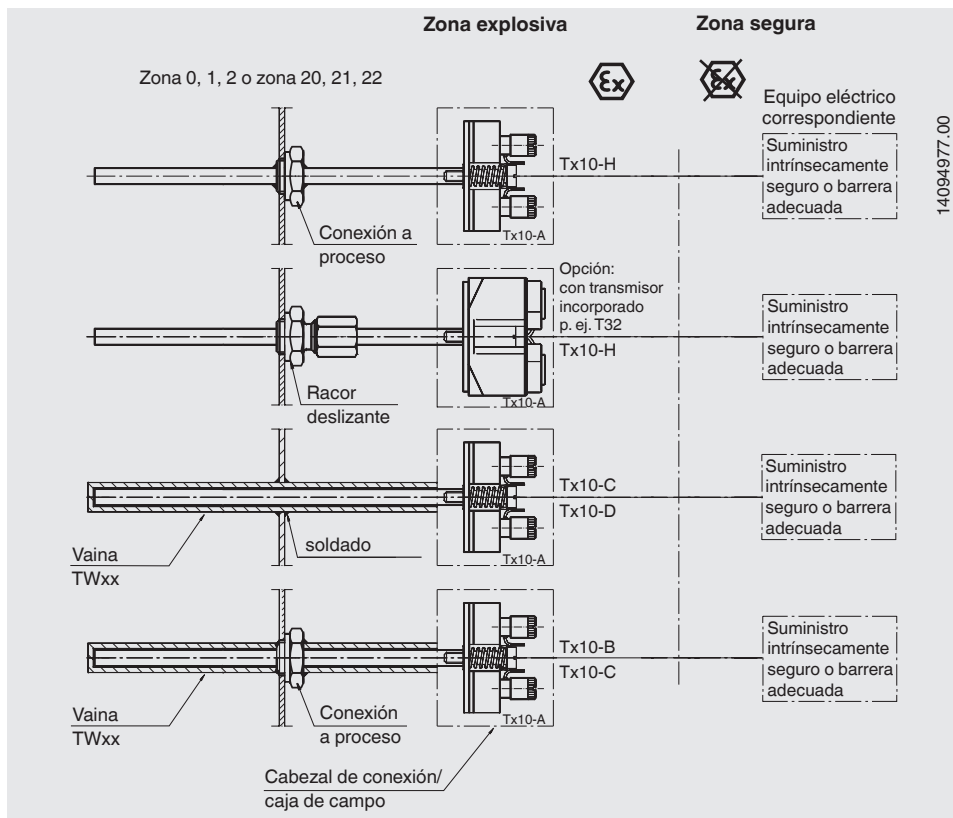


ES

3. Puesta en servicio, funcionamiento

3.5 Ejemplos de montaje

3.5.1 Posibles montajes con la marca II 1G Ex ia IIC T6 Ga o II 1D Ex ia IIIC T65 °C Da



14094977.00

El sensor junto a la caja o cabezal de conexión se encuentra en zona 0 (zona 20). Debe utilizarse un circuito eléctrico de tipo Ex ia. Los cabezales/cajas de aluminio normalmente no están permitidos en la zona 0. Para esta zona WIKA recomienda cabezales/cajas de acero inoxidable.

Medidas de protección para aplicaciones que requieren EPL Ga o Da:

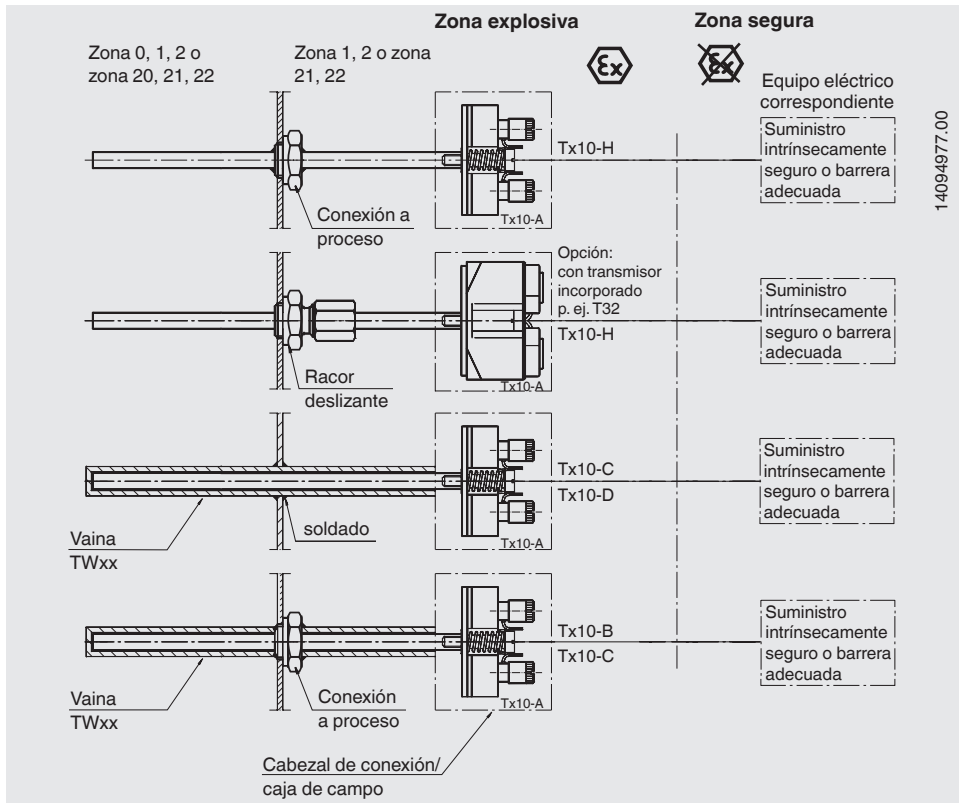
Dado el caso que se utilizan cajas de metal ligero en la zona 0, se aplican las siguientes medidas de protección:

No se admiten impactos o fricción entre piezas del dispositivo de metal ligero o de sus aleaciones (por ejemplo, aluminio, magnesio, titanio o zirconio) con piezas de hierro/acero producto del funcionamiento. En cambio, si se admiten fricciones o impactos entre los metales ligeros en el curso del funcionamiento.

Observar las condiciones especiales (véase el capítulo 4 “Condiciones especiales para un uso seguro (X-Conditions)”, puntos 5 y 7).

3. Puesta en servicio, funcionamiento

3.5.2 Posibles montajes con la marca II 1/2 Ex ia IIC T1 ... T6 Ga/Gb o II 1/2D Ex ia IIIC T65 ... T125 °C Da/Db



14094977.00

ES

La punta del sensor o de la vaina sobresale hasta la zona 0. La caja o el cabezal de conexión se encuentran en la zona 1 (zona 21) o zona 2 (zona 22). Basta con utilizar un circuito eléctrico de tipo Ex ib.

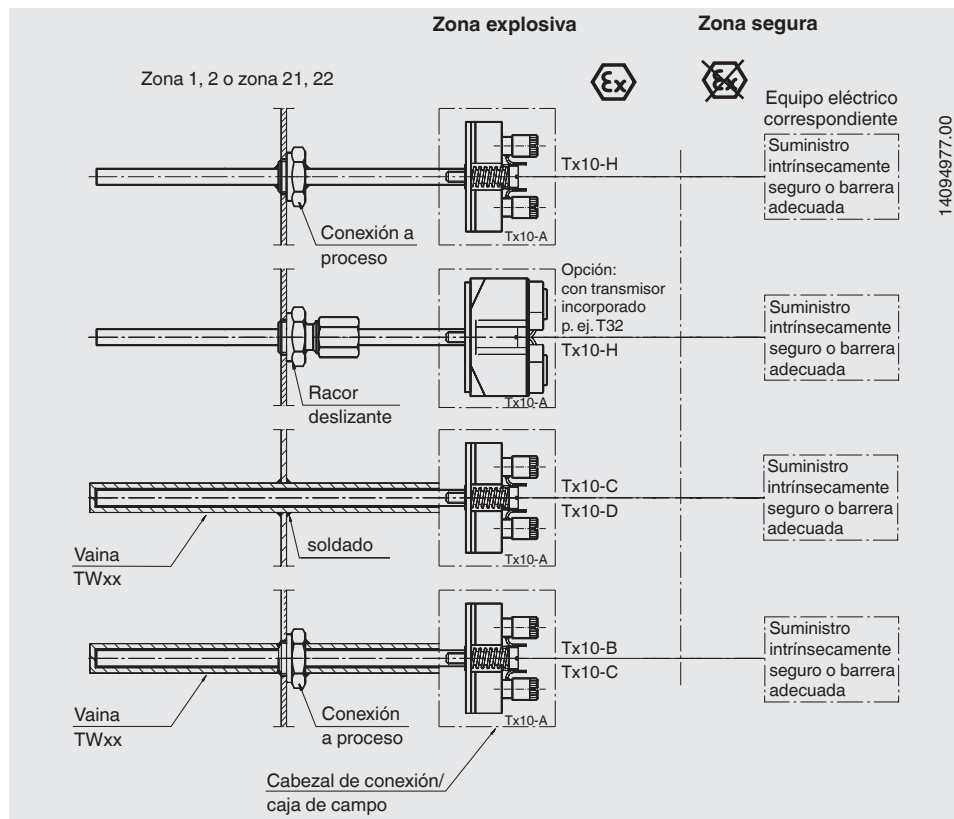
Se garantiza una separación de zonas al utilizar conexiones al proceso suficientemente herméticas (IP66 o IP67).

Conexiones a proceso adecuadas son, por ejemplo, bridas industriales normalizadas a prueba de gas, conexiones roscadas o racores para tubos.

Las piezas soldadas, conexiones a procesos, atornilladuras de apriete, vainas o cajas deben estar dimensionadas de tal modo que resistan todas las influencias surgidas a raíz del proceso, como por ejemplo temperatura, fuerzas de paso, presión, corrosión, vibración y golpes.

3. Puesta en servicio, funcionamiento

3.5.3 Posibles montajes con la marca II 2G Ex ia IIC T1 ... T6 Gb o II 2D Ex ia IIIC T65 ... T125 °C Db



14094977.00

3.5.4 Paredes divisorias para la separación entre la zona 0 y la zona menos peligrosa o la separación entre la zona peligrosa y la no peligrosa

El espesor de la pared del tabique debe ser de al menos 1 mm (acero inoxidable).

Si el espesor de la pared es < 1 mm, tener en cuenta lo siguiente:

En caso de que un cable con blindaje mineral sea una pared divisoria, el espesor mínimo de la pared es el 10 % del diámetro exterior del cable con blindaje mineral. Si un manguito de transición entre el cable flexible y el cable con blindaje mineral forma parte de la pared de separación, el espesor mínimo de la pared del manguito de transición es de 0,4 mm.


El operador no debe crear una condición ambiental que afecte negativamente al espesor mínimo de la pared del tabique. Este es particularmente el caso de los modelos TR10-D, TC10-D, TR10-H, TC10-H, TR40, TC40, TR41, TR50, TC50, TR53 y TC53.

14150916.08 11/2021 EN/DE/FR/ES

Observar las condiciones especiales (véase el capítulo 4 “Condiciones especiales para un uso seguro (X-Conditions)”, punto 5).

Alternativamente, el cliente puede utilizar una vaina con el correspondiente espesor mínimo de pared. Para ello tener en cuenta las condiciones especiales (véase el capítulo 4 “Condiciones especiales para un uso seguro (X-Conditions)”, punto 6).

4. Condiciones especiales para un uso seguro (X-Conditions)

- 1) Versiones con $\varnothing < 3$ mm o versiones “no aisladas” no cumplen el apartado 6.3.13, IEC/EN 60079-11. Por lo tanto, estos circuitos intrínsecamente seguros desde el punto de vista de seguridad se consideran conectados eléctricamente a la tierra (“en principio puesto a tierra” ) y debe existir compensación de potencial en todo el curso de la instalación de los circuitos de seguridad intrínseca. Además, para la conexión deben observarse las condiciones especiales de acuerdo a IEC/EN 60079-14.
- 2) Los instrumentos que no cumplen los requerimientos electrostáticos debido a su construcción según IEC/EN 60079-0 y IEC/EN 60079-26, no deben someterse a las cargas electrostáticas.
- 3) Los transmisores e indicadores digitales empleados deben contar con su propia certificado CE de tipo conforme a IEC/EN. Deben consultarse en las correspondientes certificado CE de tipo las condiciones de instalación, las magnitudes de conexión, las clases de temperatura o temperaturas superficiales máximas en instrumentos para utilización en atmósferas polvorientas potencialmente explosivas, así como las temperaturas ambiente permitidas, y observarse las mismas.
- 4) No está permitido un flujo térmico proveniente del proceso que supere la temperatura ambiente admisible del transmisor, del indicador digital o de la caja. Para evitar este efecto se debe aplicar un aislamiento adecuado o un cuello de suficiente longitud.
- 5) Si el espesor de pared es inferior a 1 mm, los instrumentos no deben someterse a cargas ambientales que pudieran afectar negativamente la pared divisoria. Alternativamente puede utilizarse una vaina con el correspondiente espesor mínimo de pared.
- 6) Si se emplea una vaina o un tubo de cuello, el instrumento debe estar construido completamente de tal forma para que permite un montaje suficientemente hermético (IP66 o IP67) o una junta plana antideflagrante (IEC/EN 60079-1) hacia la zona de menos riesgo.
- 7) *Sin relevancia para este instrumento (véase X-Conditions en verificación CE de tipo)*

4. Condiciones especiales para un uso seguro (X-Conditions)

- 8) Para el uso de cajas, éstas deben contar con una correspondiente certificado CE de tipo propia o cumplir con los requisitos mínimos.
Protección IP: mínimamente IP20 (por lo menos IP6x para polvo), se aplica a todas las cajas. Las cajas de metal ligero deben cumplir los correspondientes secciones a las normas aplicables. Además, las cajas no metálicas o con recubrimiento de polvo deben cumplir los requisitos electrostáticos a las normas aplicables o contar con una correspondiente advertencia.
- 9) Partes accesibles de cajas metálicas no puestas a tierra y partes accesibles de cajas metálicas puestas a tierra pero no conformes al apartado 6.5 de la norma IEC/EN 60079-11 deben ser conformes al apartado 7.5 de la norma IEC/EN 60079-0 o contar con una correspondiente advertencia.
- ES 10) Si no es posible indicar el rango de temperatura ambiente en el marcado del instrumento porque se trata de un instrumento pequeño según el apartado 29.10 de la norma IEC/EN 60079-0, el rango de temperatura ambiente debe indicarse en el manual de instrucciones incluido en el suministro del instrumento. Si el instrumento no es un instrumento pequeño según el apartado 29.10 de la norma IEC/EN 60079-0, el marcado del instrumento debe contener adicionalmente una referencia al manual de instrucciones.

Medidas de protección para aplicaciones que requieren EPL Ga o Da:

No se adminten impactos o fricción entre piezas del dispositivo de metal ligero o de sus aleaciones (por ejemplo, aluminio, magnesio, titanio o zirconio) con piezas de hierro/acero producto del funcionamiento. Sí se adminten en cambio fricciones o impactos entre los metales ligeros en el curso del funcionamiento.

5. Ejemplos de cálculo para el calentamiento propio en la punta del sensor/de la vaina

El calentamiento propio en la punta del sensor o de la vaina depende del modelo de sensor (termorresistencia/termopar), del diámetro del sensor, del tipo de construcción de la vaina y de la potencia suministrada en caso de fallo. La siguiente tabla muestra las posibles combinaciones. En dicha tabla puede verse que los termopares generan un calentamiento propio claramente inferior que las termorresistencias.

Resistencia térmica [R_{th} in K/W]

Tipo de sensor	Termorresistencia (RTD)				Termopar (TC)			
	Diámetro de las unidades extraíbles	2,0 ... < 3,0	3,0 ... < 6,0	6,0 ... 8,0	3,0 ... 6,0 ¹⁾	0,5 ... < 1,5	1,5 ... < 3,0	3,0 ... < 6,0
Sin vaina	245	110	75	225	105	60	20	5
Con vaina, de tubo (recto y cónico), por ej. TW22, TW35, TW40, TW45, etc.	135	60	37	-	-	-	11	2,5
Con vaina, material macizo (recto y cónico), por ej. TW10, TW15, TW20, TW25, TW30, TW50, TW55, TW60, etc.	50	22	16	-	-	-	4	1
SR especial - según EN 14597	-	-	33	-	-	-	-	2,5
Tx55 (tubo de soporte)	-	110	75	225	-	-	20	5
Montada en un agujero ciego (espesor mínimo de pared 5 mm)	50	22	16	45	22	13	4	1

1) sensible superficialmente

La suma de las potencias durante la aplicación de sensores múltiples con operativa simultánea no debe superar la potencia máxima admisible. La potencia máxima admisible debe limitarse a un máx. de 1,5 W. La empresa explotadora/operadora debe asegurar dicho valor.

5.1 Cálculo para punto de medición RTD con vaina

- Uso en la pared de separación de la zona 0

Se busca la máxima temperatura posible T_{\max} en la punta de la vaina para la siguiente combinación:

- Unidad de medida extraíble RTD \varnothing 6 mm con transmisor de cabezal modelo T32.1S, montado en una vaina de tubo forma 3F.
- La alimentación se efectúa por ejemplo mediante un alimentador de convertidor de medición modelo IS Barrier (Nº de artículo WIKA 14117118)

T_{\max} resulta de la suma de la temperatura del medio y del calentamiento propio. El calentamiento propio de la punta de vaina depende de la potencia suministrada P_o del transmisor y de la resistencia térmica R_{th} .

ES

El cálculo se efectúa según la siguiente fórmula: $T_{\max} = P_o * R_{th} + T_M$

T_{\max} = Temperatura superficial (máxima temperatura en la punta de la vaina)

P_o = de la hoja técnica del transmisor

R_{th} = Resistencia térmica [K/W]

T_M = Temperatura del medio

Ejemplo

Termómetro de resistencia RTD

Diámetro: 6 mm

Temperatura del medio: $T_M = 150$ °C

Potencia suministrada: $P_o = 15,2$ mW

No debe sobrepasarse la clase de temperatura T3 (200 °C)

Resistencia térmica [R_{th} en K/W] de la tabla = 37 K/W

Calentamiento propio: $0,0152$ W * 37 K/W = 0,56 K

$T_{\max} = T_M +$ calentamiento propio: 150 °C + $0,56$ °C = $150,56$ °C

El resultado muestra que en este caso el calentamiento propio en la punta de la vaina es despreciable. Como distancia de seguridad para instrumentos de tipos probados (para T6 a T3), de los 200 °C hay que restar 5 °C; por lo tanto la temperatura admisible es de 195 °C. De esa manera, no se sobrepasa la clase de temperatura T3 en este ejemplo.

Información adicional

Clase de temperatura para T3 = 200 °C

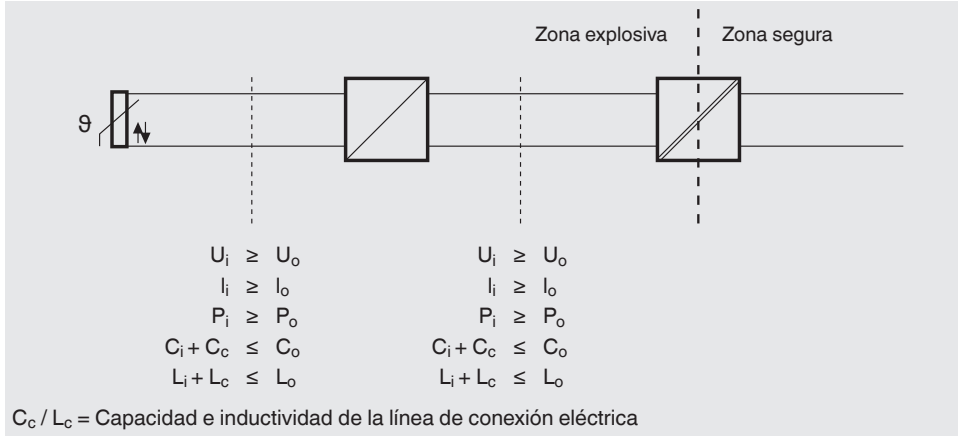
Distancia de seguridad para instrumentos con aprobación de tipo (para T3 a T6)²⁾ = 5 K

Distancia de seguridad para instrumentos de tipos probados (para T1 a T2)²⁾ = 10 K

2) IEC/EN 60079-0: 2009 párr. 26.5.1

5. Ejemplos de cálculo para el calentamiento propio en la ...

Sensor con transmisor y barrera



ES

Demostración simplificada de la seguridad intrínseca para la combinación mencionada más arriba

Unidad extraíble	>=	Transmisor de cabezal	>=	Dispositivo de alimentación, barrera
U_i : DC 30 V	>=	U_o : DC 6,5 V	>=	U_o : DC 25,2 V
I_i : 550 mA	>=	I_o : 9,3 mA	>=	I_o : 93 mA
P_i (máx) en el sensor: 1,5 W	>=	P_o : 15,2 mW	>=	P_o : 587 mW
C_i : despreciable	<=	C_o : 24 μ F	<=	C_o : 107 nF
L_i : despreciable	<=	L_o : 365 mH	<=	L_o : 2,0 mH

La comparación de los valores demuestra que la interconexión de estos instrumentos es admisible. La empresa explotadora/operadora sin embargo debe respetar los valores de inductividad y la capacidad de las conexiones eléctricas.

5.2 Cálculo para un elemento encamisado con mantel con sensor RTD

- ▶ Uso en la pared de separación de la zona 0

Se busca la máxima temperatura posible T_{max} en la punta del sensor para la siguiente combinación:

- ▶ Termorresistencia sin vaina (TR10-H) \varnothing 6 mm sin transmisor, montado mediante racor deslizante con anillo de apriete de acero inoxidable.
- ▶ La alimentación se efectúa por ejemplo mediante una barrera Zener, p. ej. modelo Z954 (código de WIKA 3247938)

T_{max} resulta de la suma de la temperatura del medio y del calentamiento propio. El calentamiento propio de la punta del sensor depende de la potencia suministrada P_o de la barrera Zener y de la resistencia térmica R_{th} .

5. Ejemplos de cálculo para el calentamiento propio en la ...

El cálculo se efectúa según la siguiente fórmula: $T_{\max} = P_o * R_{th} + T_M$

T_{\max} = Temperatura superficial (máxima temperatura en la punta de la vaina)

P_o = de la hoja técnica del transmisor

R_{th} = Resistencia térmica [K/W]

T_M = Temperatura del medio

Ejemplo

Termómetro de resistencia RTD

Diámetro: 6 mm

Temperatura del medio: $T_M = 150 \text{ °C}$

Potencia suministrada: $P_o = 1.150 \text{ mW}$

No debe sobrepasarse la clase de temperatura T3 (200 °C)

ES Resistencia térmica [R_{th} en K/W] de la tabla = 75 K/W

Calentamiento propio: $1,15 \text{ W} * 75 \text{ K/W} = 86,25 \text{ K}$

$T_{\max} = T_M + \text{calentamiento propio: } 150 \text{ °C} + 86,25 \text{ °C} = 236,25 \text{ °C}$

El resultado muestra en este caso un claro calentamiento propio en la punta del sensor. Como distancia de seguridad para instrumentos de tipos probados (para T3 a T6), de los 200 °C hay que restar 5 °C; por lo tanto la temperatura admisible sería 195 °C. De esa manera se sobrepasa en este caso claramente la clase de temperatura T3, lo cual no es admisible. Como solución puede utilizarse una vaina o un transmisor adicional.

Información adicional

Clase de temperatura para T3 = 200 °C

Distancia de seguridad para instrumentos con aprobación de tipo (para T3 a T6) ¹⁾ = 5 K

Distancia de seguridad para instrumentos de tipos probados (para T1 a T2) ¹⁾ = 10 K

1) IEC/EN 60079-0: 2009 párr. 26.5.1

5.3 Cálculo para el RTD con vaina mencionado arriba

► Unidad de medida extraíble RTD Ø 6 mm sin transmisor, montado en una vaina de tubo, forma 3F

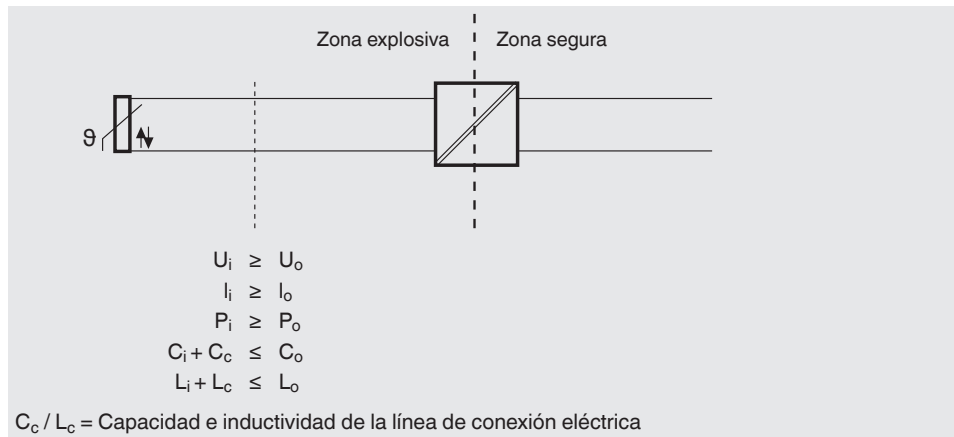
Resistencia térmica [R_{th} en K/W] de la tabla = 37 K/W

Calentamiento propio: $1,15 \text{ W} * 37 \text{ K/W} = 42,55 \text{ K}$

$T_{\max} = T_M + \text{calentamiento propio: } 150 \text{ °C} + 42,55 \text{ °C} = 192,55 \text{ °C}$

El resultado muestra en este caso un claro calentamiento propio en la punta del sensor. Para calcular la distancia de seguridad para instrumentos de tipos probados (para T3 a T6), de los 200 °C, hay que restar 5 °C; por lo tanto la temperatura admisible sería 195 °C. De esa manera, no se sobrepasa la clase de temperatura T3 en este ejemplo.

Sensor sin transmisor, con barrera



ES

Demostración simplificada de la seguridad intrínseca para la combinación mencionada más arriba

Unidad extraíble		Barrera Zener Z954	
U_i : DC 30 V	\geq	U_o : DC 9 V	U_m : AC 250 V
I_i : 550 mA	\geq	I_o : 510 mA	I_j : n. a.
P_i (máx) en el sensor: 1,5 W	\geq	P_o : 1.150 mW	P_j : n. a.
C_i : despreciable	\leq	C_o : 4,9 μ F	C_j : n. a.
L_i : despreciable	\leq	L_o : 0,12 mH	L_j : n. a.

n. a. = no aplicable

La comparación de los valores demuestra que la interconexión de estos instrumentos es admisible. La empresa explotadora/operadora sin embargo debe respetar los valores de inductividad y la capacidad de las conexiones eléctricas.

Estos cálculos son válidos para la barrera Zener Z954 en combinación con un termómetro de resistencia Pt100 en funcionamiento de tres canales sin conexión a tierra; es decir, funcionamiento simétrico del termómetro de resistencia en conexión de 3 hilos a un indicador o unidad de evaluación.

